



US00D761069S

(12) **United States Design Patent**
Aoki et al.

(10) **Patent No.:** **US D761,069 S**
(45) **Date of Patent:** **** Jul. 12, 2016**

(54) **PORTABLE ELECTRIC DRIVER**

(56) **References Cited**

(71) Applicant: **Hitachi Koki Co., Ltd.**, Minato-Ku,
Tokyo (JP)
(72) Inventors: **Yoshiki Aoki**, Hitachinaka (JP); **Shinichi**
Kakefuda, Hitachinaka (JP); **Masayuki**
Ogura, Hitachinaka (JP); **Masanori**
Okada, Hitachinaka (JP); **Junichi**
Tokairin, Hitachinaka (JP)
(73) Assignee: **Hitachi Koki Co., Ltd.**, Minato-Ku,
Tokyo (JP)

U.S. PATENT DOCUMENTS

D392,863 S *	3/1998	Sugimoto et al.	D8/68
6,308,378 B1	10/2001	Mooty et al.	
D508,642 S *	8/2005	Kokawa et al.	D8/68
D524,136 S *	7/2006	Taniguchi et al.	D8/68
D525,099 S *	7/2006	Nagasaka et al.	D8/68
D546,154 S	7/2007	Fong et al.	
D551,527 S	9/2007	Aglassinger	
D578,854 S *	10/2008	Lopano	D8/68
D584,123 S *	1/2009	Lopano	D8/68
D585,716 S *	2/2009	Taniguchi et al.	D8/68
7,492,125 B2	2/2009	Serdynski et al.	
D589,317 S	3/2009	Okuda	

(**) Term: **14 Years**
(21) Appl. No.: **29/494,103**
(22) Filed: **Jun. 17, 2014**

(Continued)

OTHER PUBLICATIONS

Hitachi Koki Co., Ltd., Hitachi Cordless Driver Drills—14.4V / 18V
Cordless Driver Drills with Brushless Motors' Electronic Leaflet,
<http://www.hitachi-koki.com>, Mar. 10, 2014, 2 sheets.

Related U.S. Application Data

(62) Division of application No. 29/470,194, filed on Oct.
18, 2013, now Pat. No. Des. 715,617.

Primary Examiner — Philip S Hyder

Assistant Examiner — Darlington Ly

(74) *Attorney, Agent, or Firm* — Banner & Witcoff, Ltd.

(30) **Foreign Application Priority Data**

Apr. 19, 2013 (JP) 2013-008913
Apr. 19, 2013 (JP) 2013-008914

(57) **CLAIM**

The ornamental design for a portable electric driver, as shown
and described.

(51) **LOC (10) Cl.** **08-03**

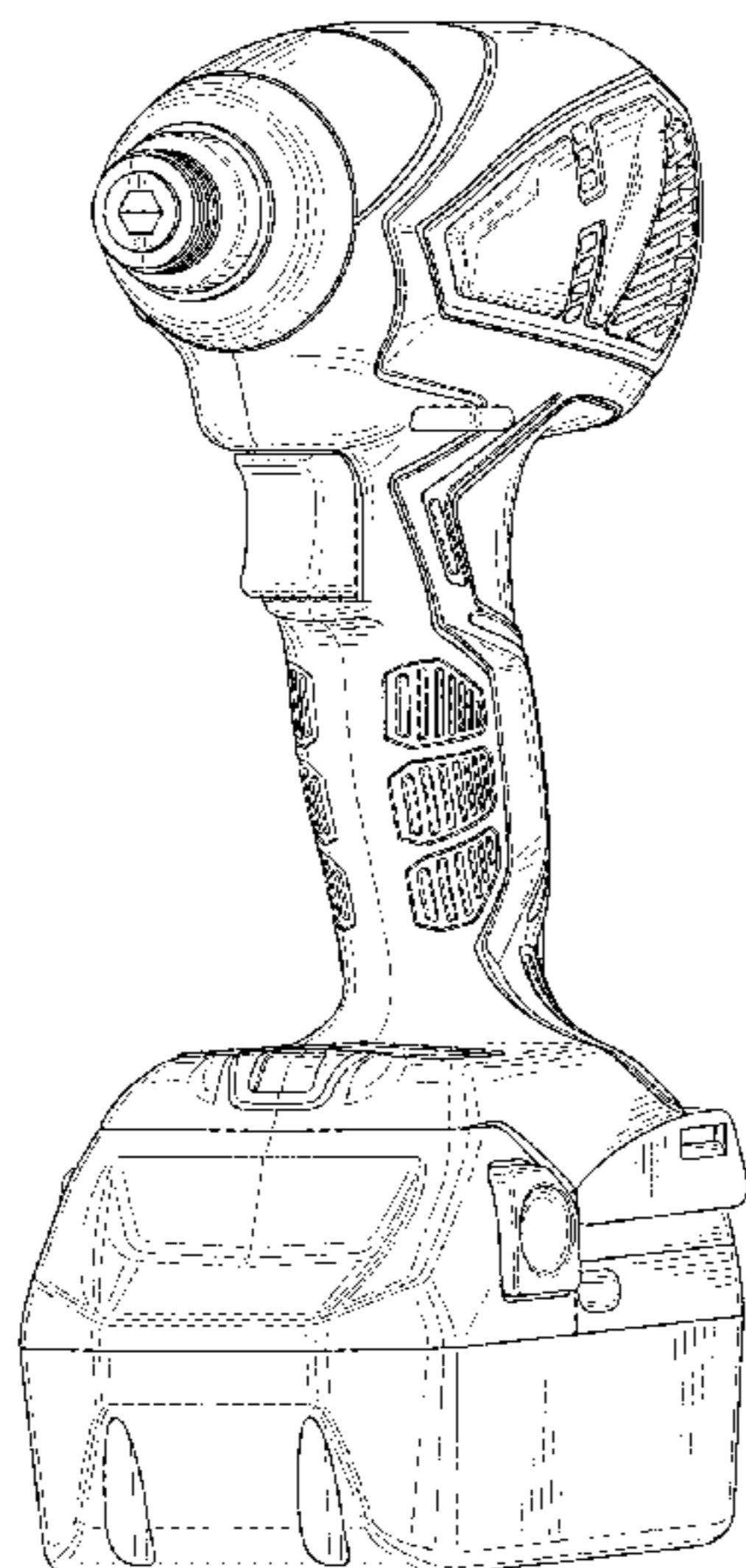
(52) **U.S. Cl.**
USPC **D8/68**

DESCRIPTION

(58) **Field of Classification Search**
USPC D8/61, 67, 68; 81/57.4, 489; 173/48,
173/109, 170, 178, 217; 408/124, 125;
362/119; 475/149
CPC B62D 23/005; B62D 29/00; B62D 29/043;
B62D 31/00; B62D 33/046; B62D 35/00;
B62D 35/001; B60Q 1/0005
See application file for complete search history.

FIG. 1 is a perspective view of the portable electric driver
showing our new design;
FIG. 2 is a front view thereof;
FIG. 3 is a rear view thereof;
FIG. 4 is left side view thereof;
FIG. 5 is a right side view thereof;
FIG. 6 is a top plan view thereof; and,
FIG. 7 is a bottom plan view thereof.
The broken lines shown in the drawings illustrate portions of
the portable electric driver that form no part of the claimed
design.

1 Claim, 5 Drawing Sheets



(56)

References Cited

U.S. PATENT DOCUMENTS

D593,831 S	6/2009	Van Wambeke et al.	
D606,376 S *	12/2009	Okuda et al.	D8/68
D609,072 S	2/2010	Van Wambeke	
D611,319 S	3/2010	Van Wambeke et al.	
D614,468 S *	4/2010	Aglassinger	D8/68
D617,622 S *	6/2010	Lopano	D8/68
8,210,273 B2	7/2012	Suzuki et al.	
D675,500 S	2/2013	Taniguchi et al.	
D678,744 S	3/2013	Aoki et al.	
D682,650 S	5/2013	Kawase et al.	
D721,938 S *	2/2015	Aoki et al.	D8/68
2009/0302554 A1	12/2009	Thiel	
2011/0139479 A1 *	6/2011	Nagasaka et al.	173/217
2012/0061117 A1 *	3/2012	Nagasaka et al.	173/217

* cited by examiner

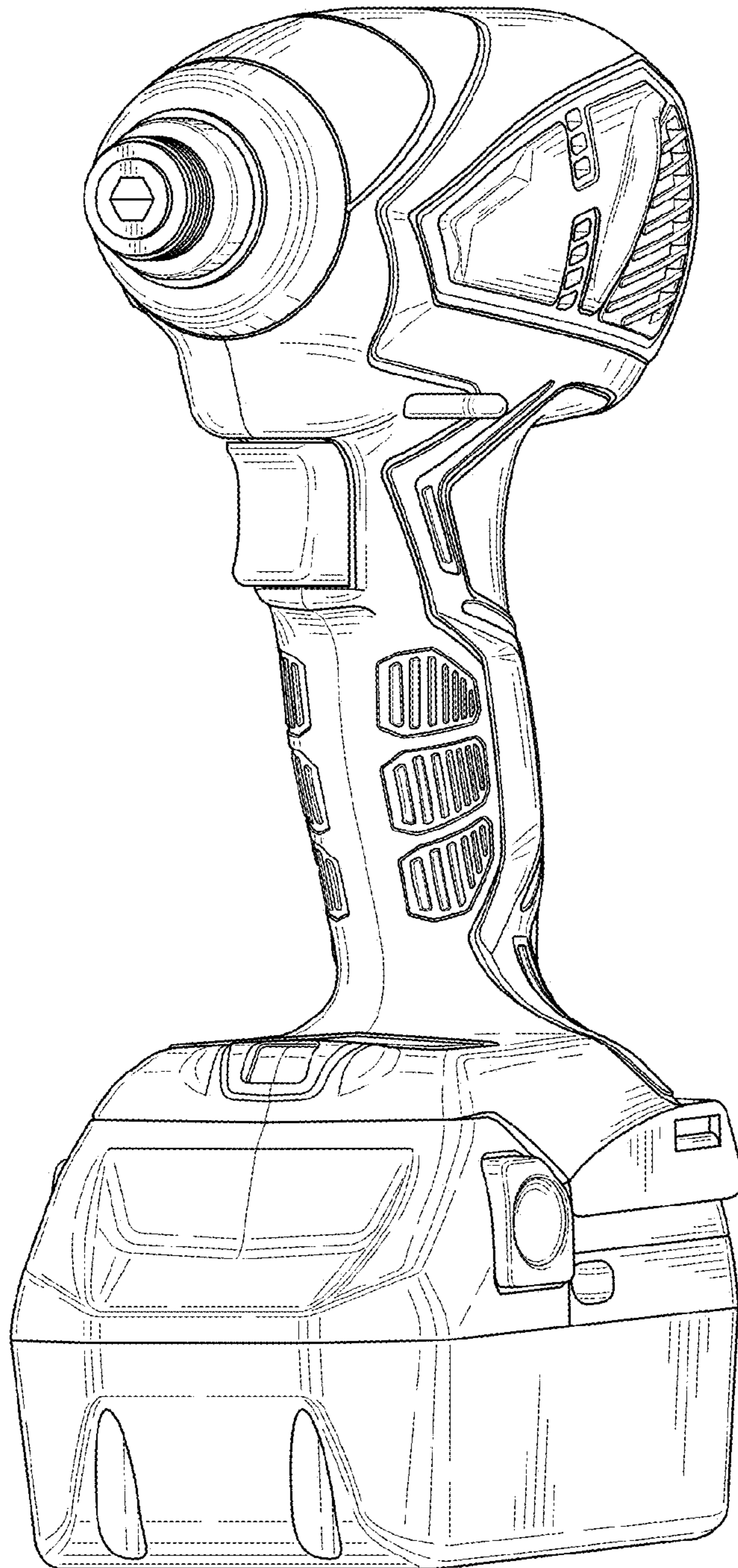


FIG. 1

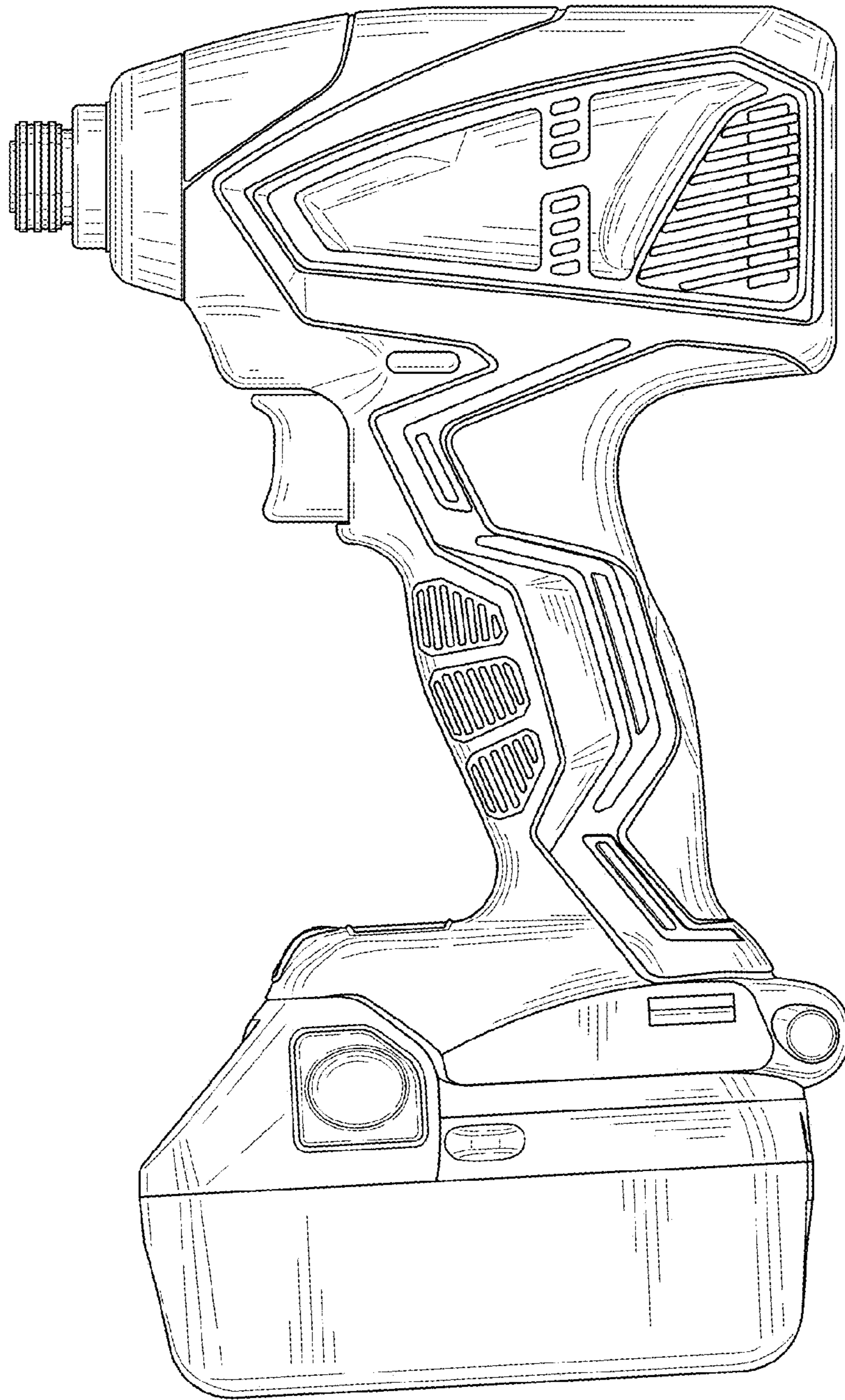


FIG. 2

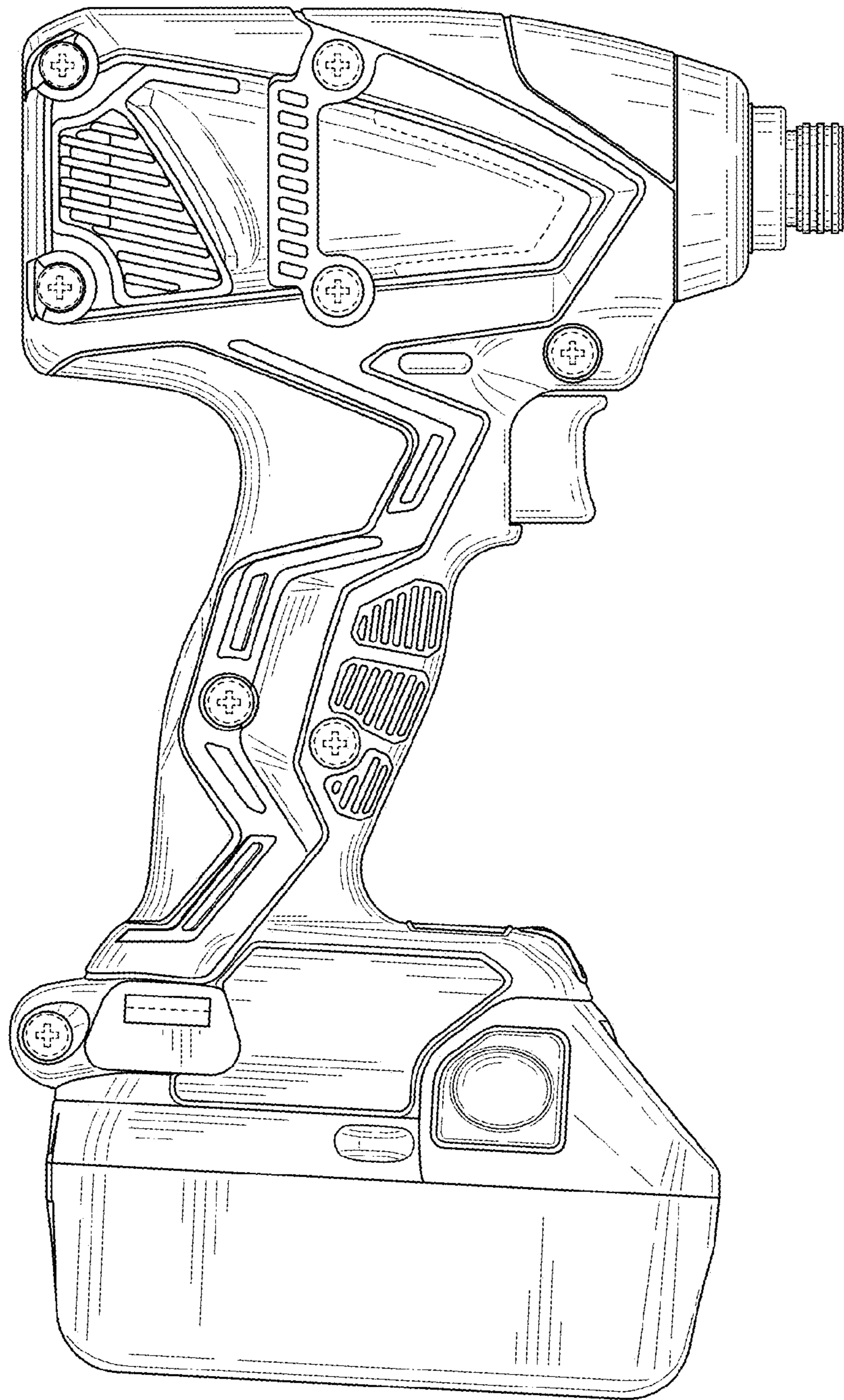


FIG. 3

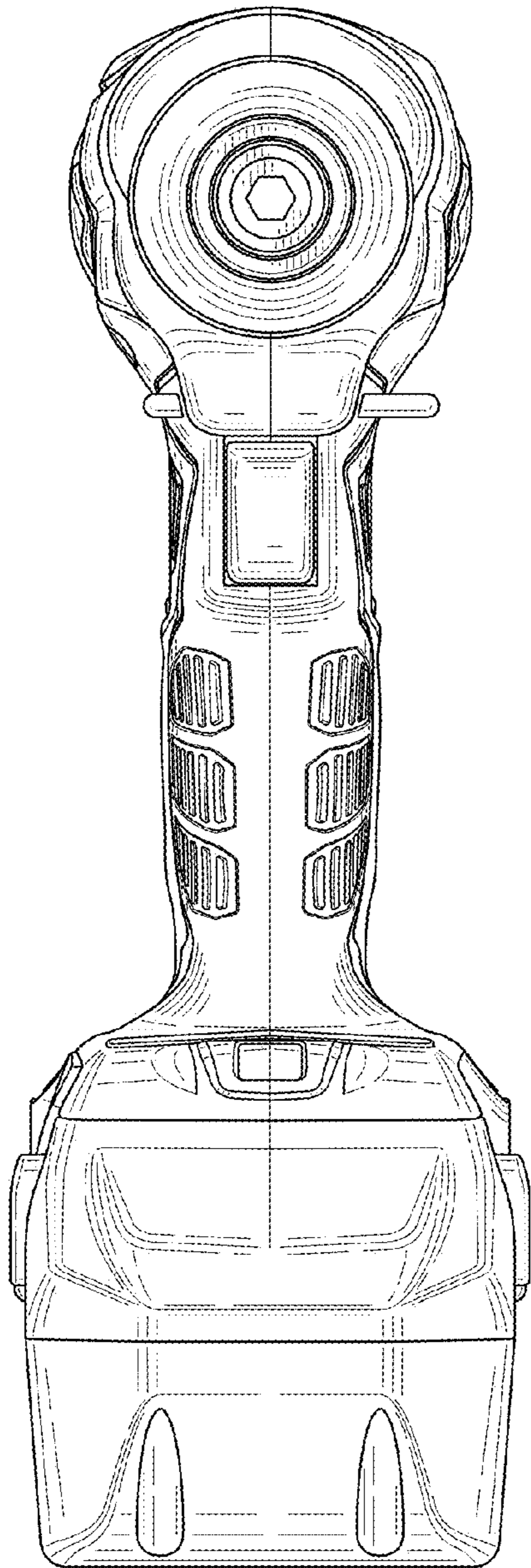


FIG. 4

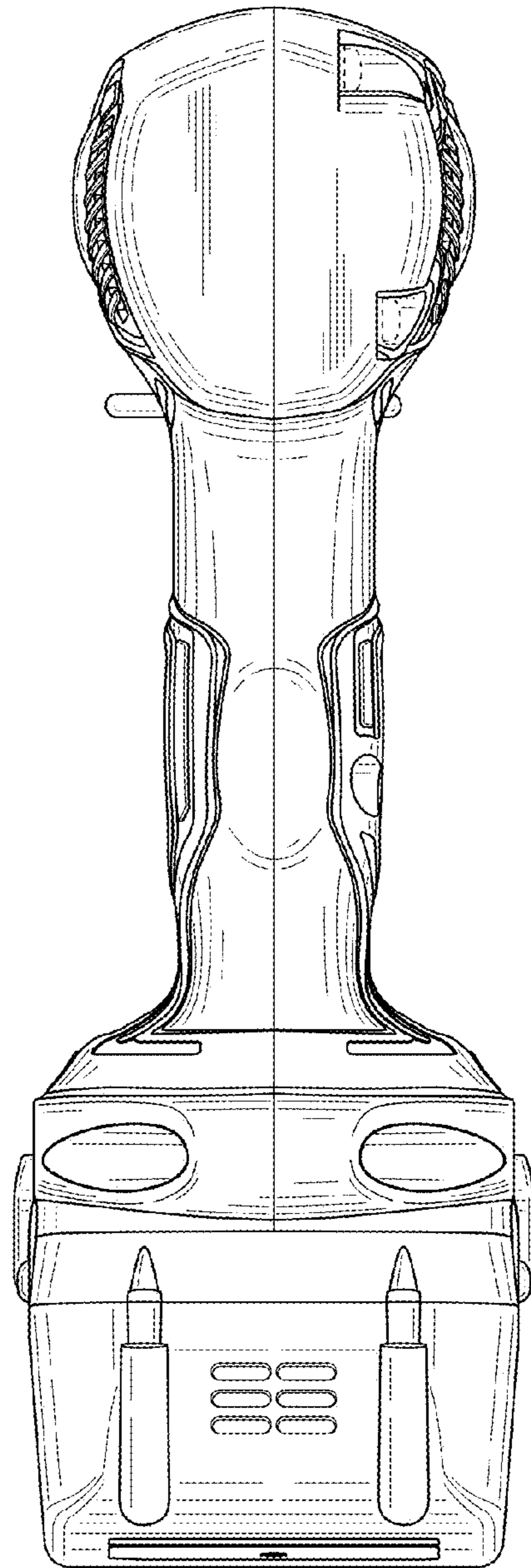


FIG. 5

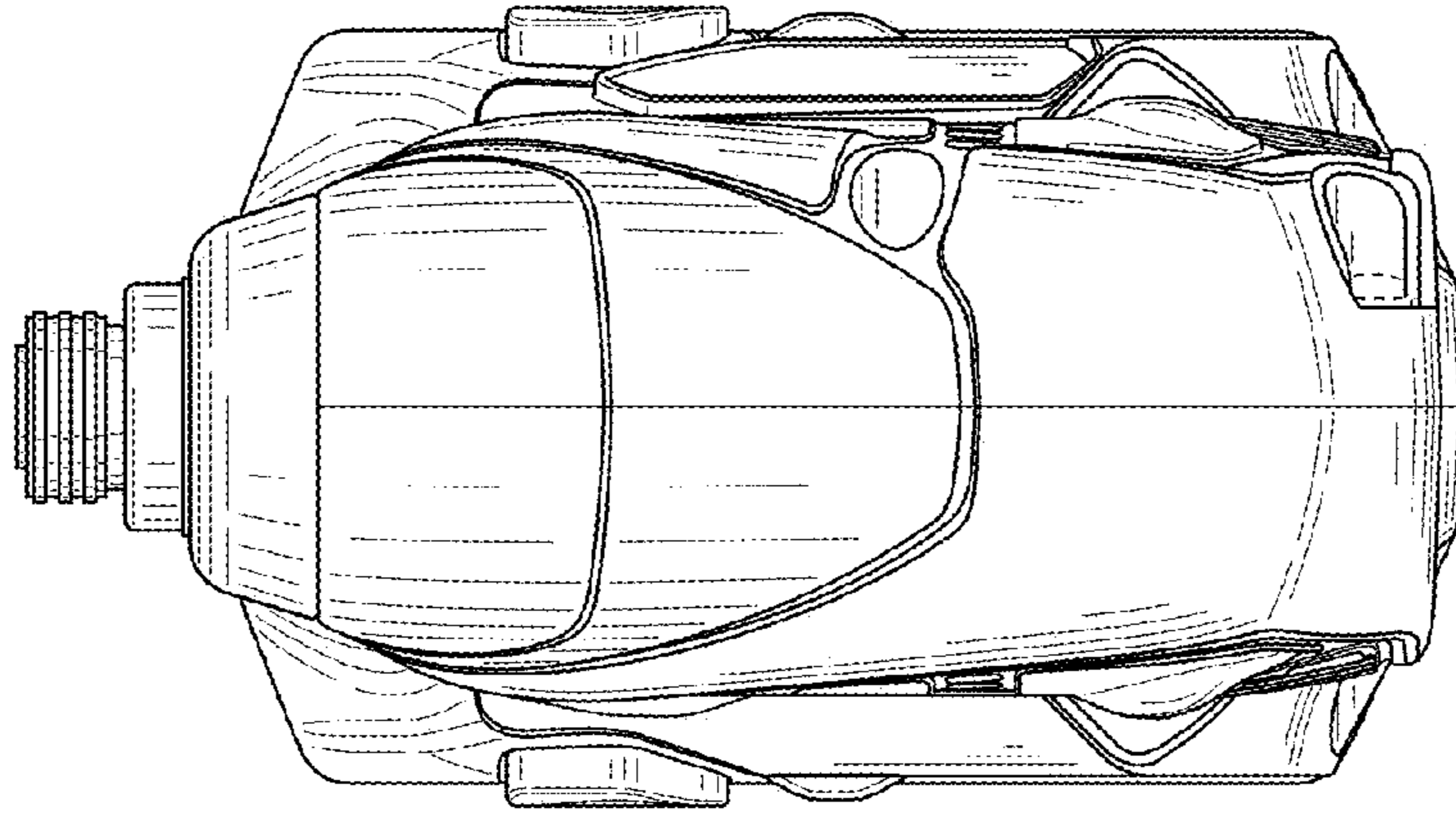


FIG. 6

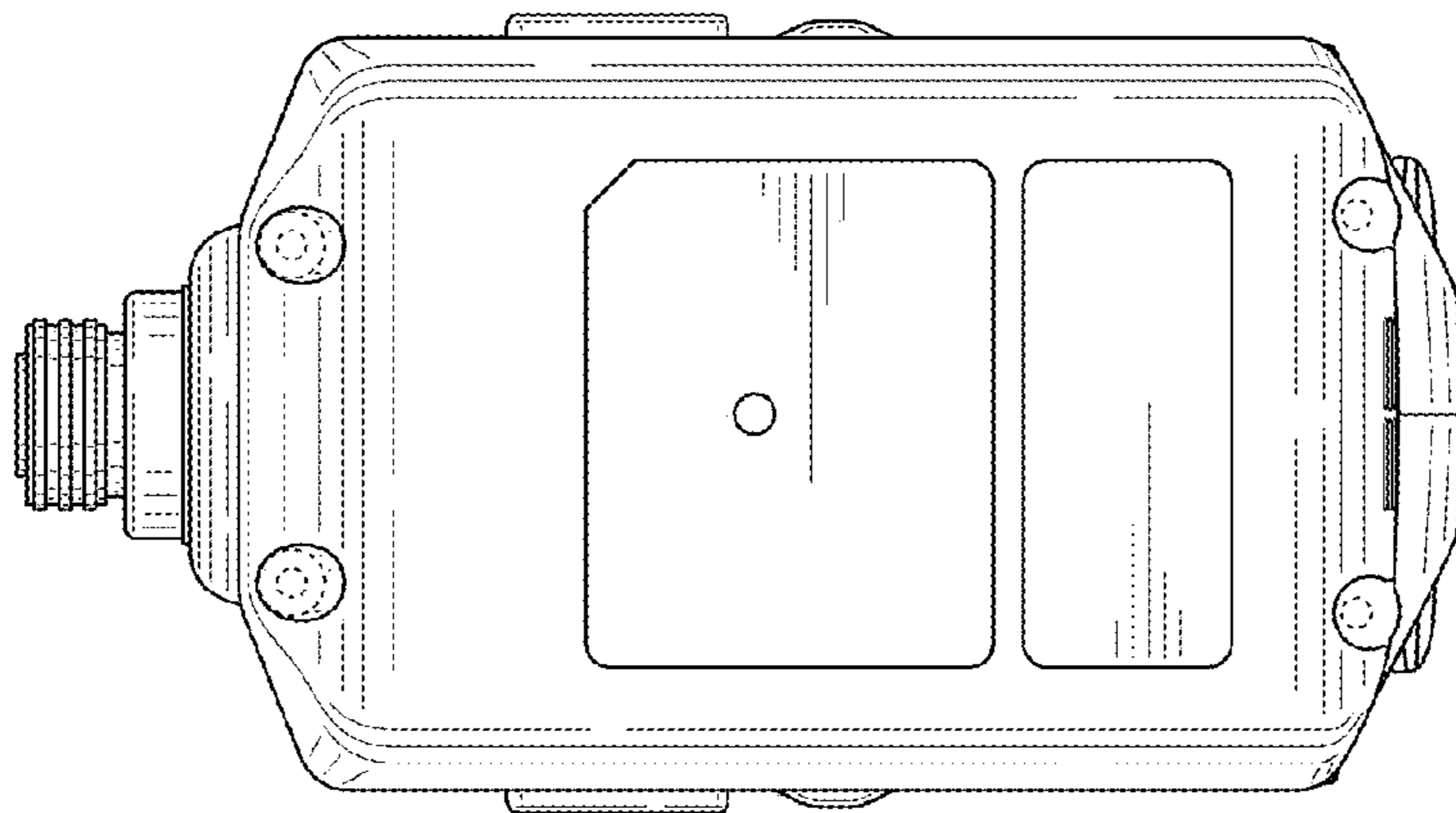


FIG. 7