

US00D761068S

(12) **United States Design Patent**
Brown et al.

(10) **Patent No.:** **US D761,068 S**
(45) **Date of Patent:** **** Jul. 12, 2016**

- (54) **SOCKET EXTENSION TOOL**
- (71) Applicant: **Logica Tool, LLC**, Mesa, AZ (US)
- (72) Inventors: **Shaun D. Brown**, Chandler, AZ (US);
Andrew C. Harrison, Mesa, AZ (US)
- (**) Term: **14 Years**
- (21) Appl. No.: **29/516,182**
- (22) Filed: **Jan. 29, 2015**
- (51) **LOC (10) Cl.** **08-05**
- (52) **U.S. Cl.**
USPC **D8/29**
- (58) **Field of Classification Search**
USPC D8/29; 81/60, 177.1, 177.85, 121.1,
81/124.3, 165-170, 110.1, 176.2, 124.6,
81/176.1, 176.15, 177.2; 16/110.1
CPC B25B 13/46; B25B 13/13; B25B 13/00;
B25B 13/02
See application file for complete search history.

- 7,717,016 B2 * 5/2010 Lai B25B 23/0042
81/177.1
- 7,775,141 B2 * 8/2010 Thompson B25B 23/0021
81/180.1
- D669,753 S * 10/2012 Stinson D8/29
- D696,703 S * 12/2013 Tsai D15/138
- D718,105 S * 11/2014 Tsai D8/29
- 8,876,121 B2 * 11/2014 Hu B25B 23/0035
279/143

* cited by examiner

Primary Examiner — Randall Gholson
(74) *Attorney, Agent, or Firm* — Thomas W. Galvani, P.C.;
Thomas W. Galvani

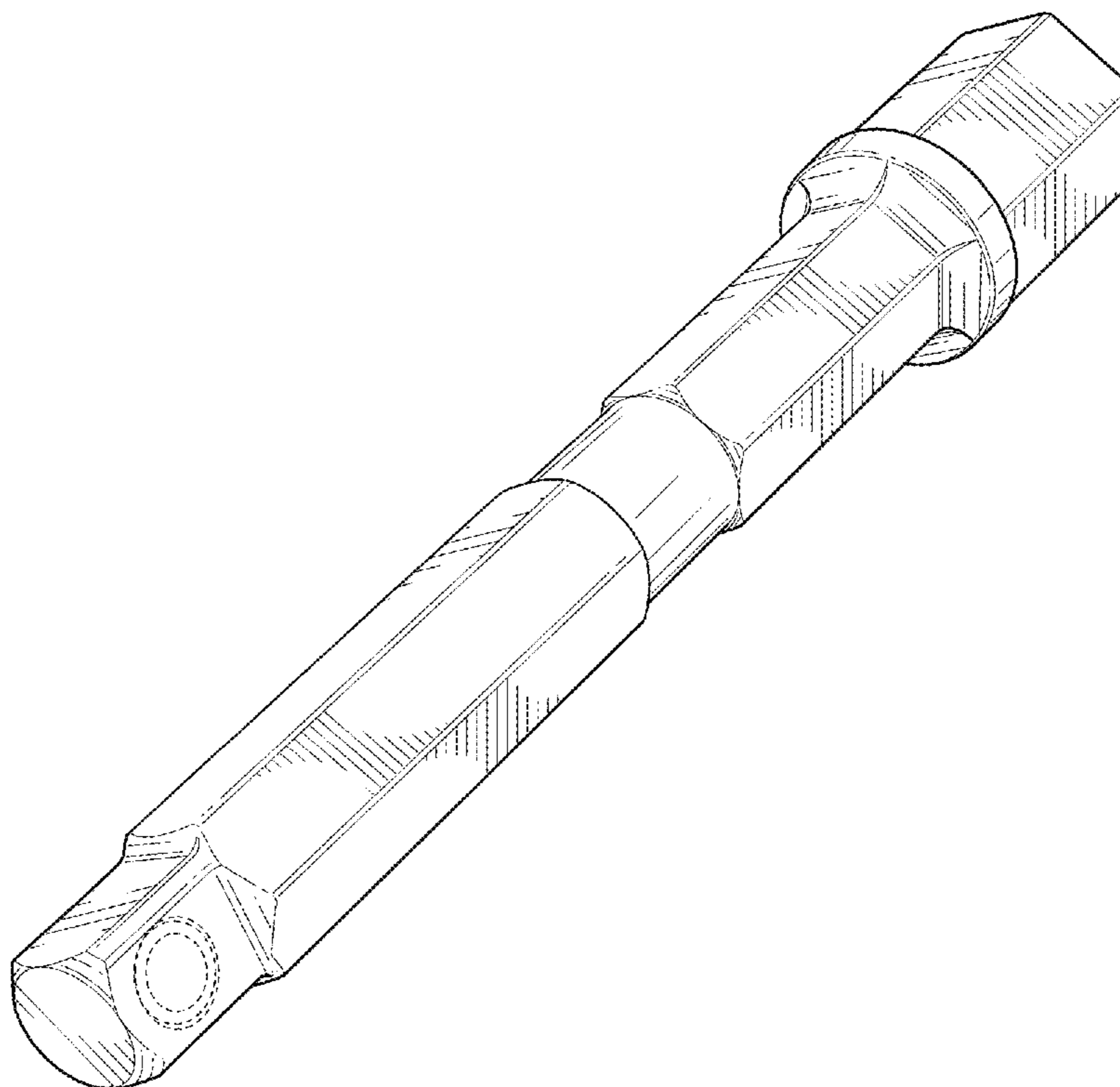
(57) **CLAIM**
The ornamental design for a socket extension tool, as shown and described.

DESCRIPTION

FIG. 1 is a top perspective view of a socket extension tool shown in accordance with our new design;
FIG. 2 is a bottom perspective view thereof;
FIG. 3 is a top plan view thereof;
FIG. 4 is a bottom plan view thereof;
FIG. 5 is a front elevation view thereof;
FIG. 6 is a rear elevation view thereof;
FIG. 7 is a right side elevation view thereof; and,
FIG. 8 is a left side elevation view thereof.
The broken lines depict portions of the socket extension tool that form no part of the claimed design.

1 Claim, 5 Drawing Sheets

- (56) **References Cited**
U.S. PATENT DOCUMENTS
D493,081 S * 7/2004 Chen D8/29
7,114,418 B1 * 10/2006 Allen B25B 13/48
81/177.2
7,331,261 B2 * 2/2008 Blizniuk B25B 23/0035
81/124.4
D600,521 S * 9/2009 Butler D8/29



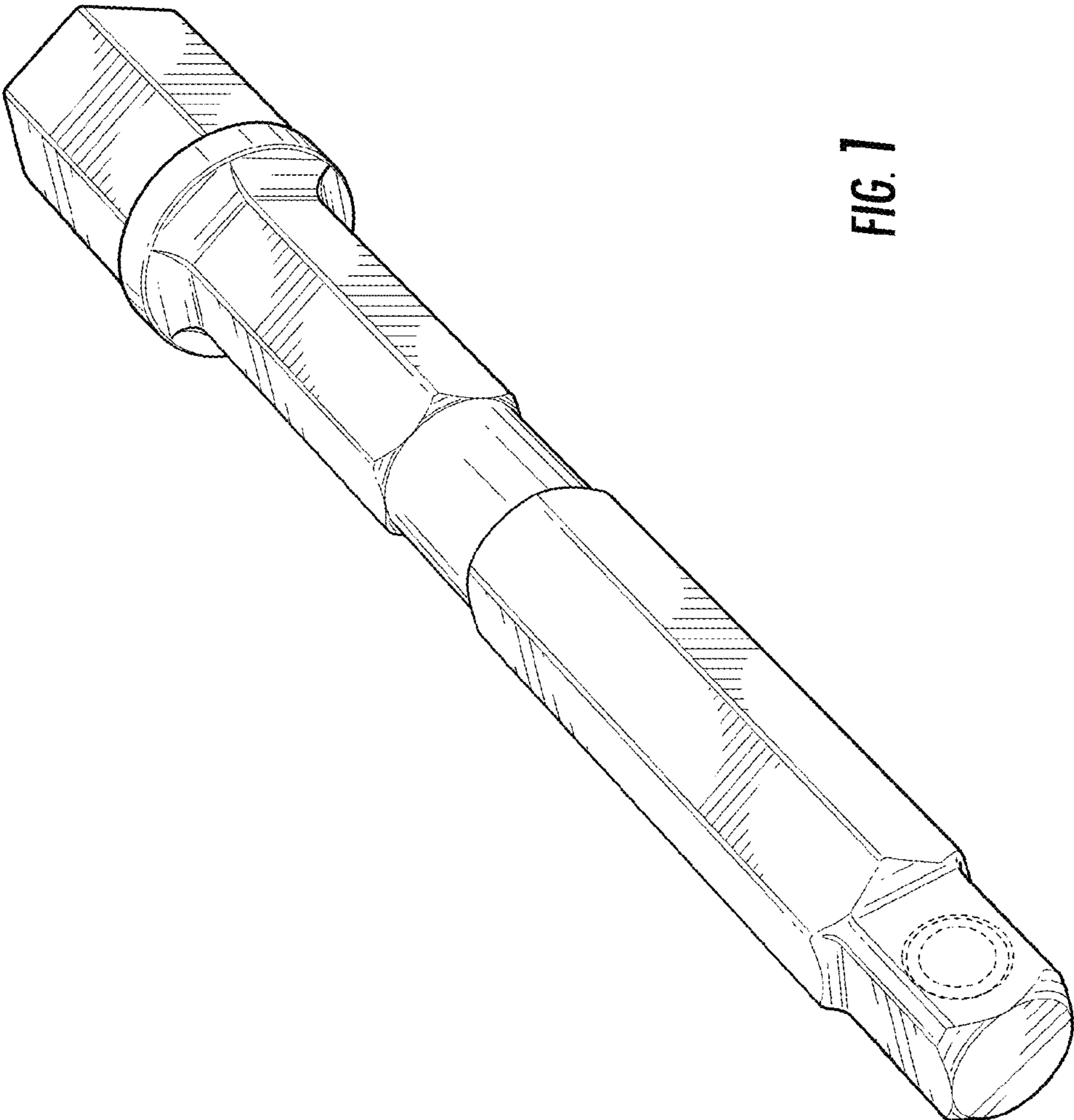


FIG. 1

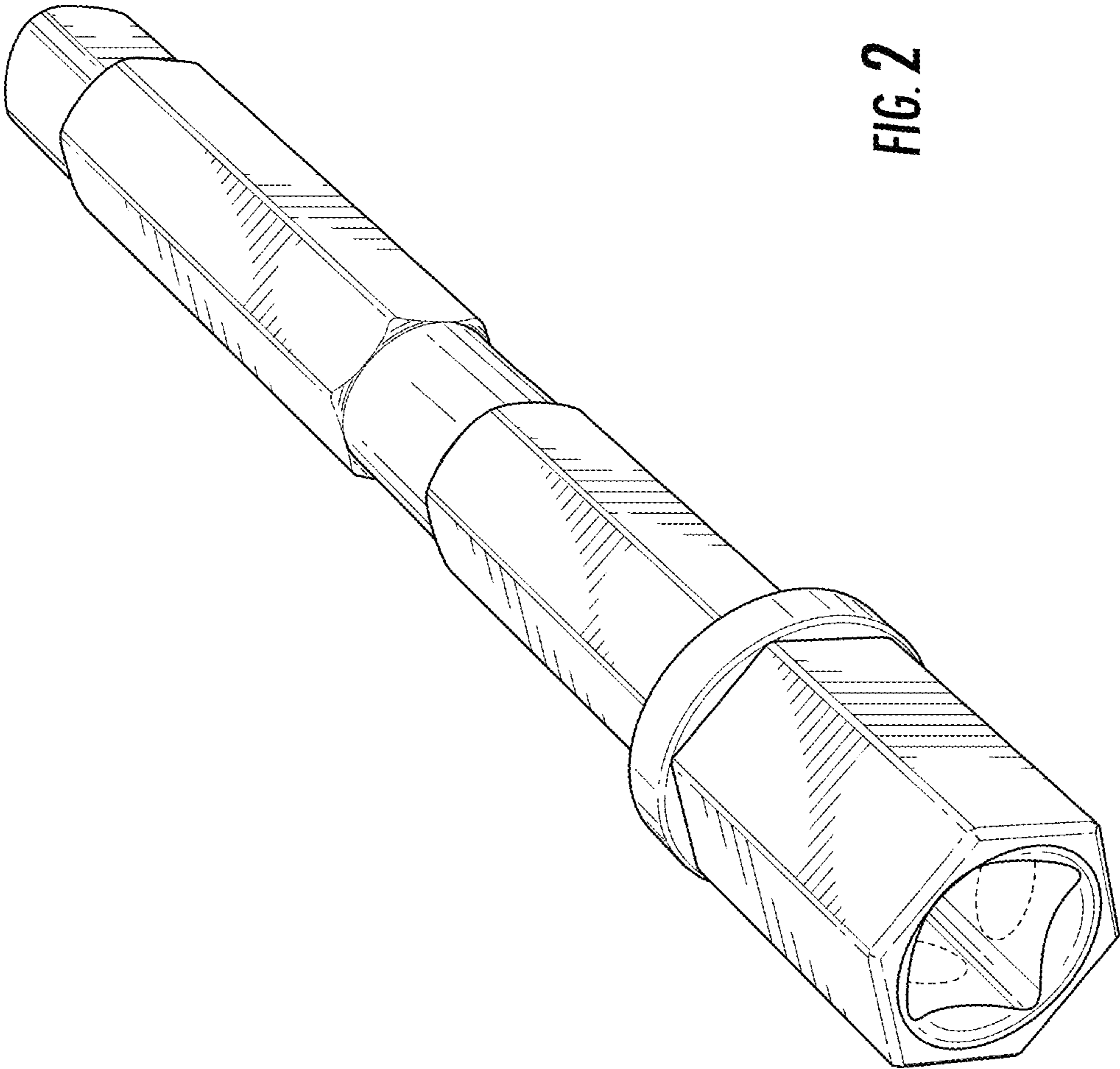


FIG. 2

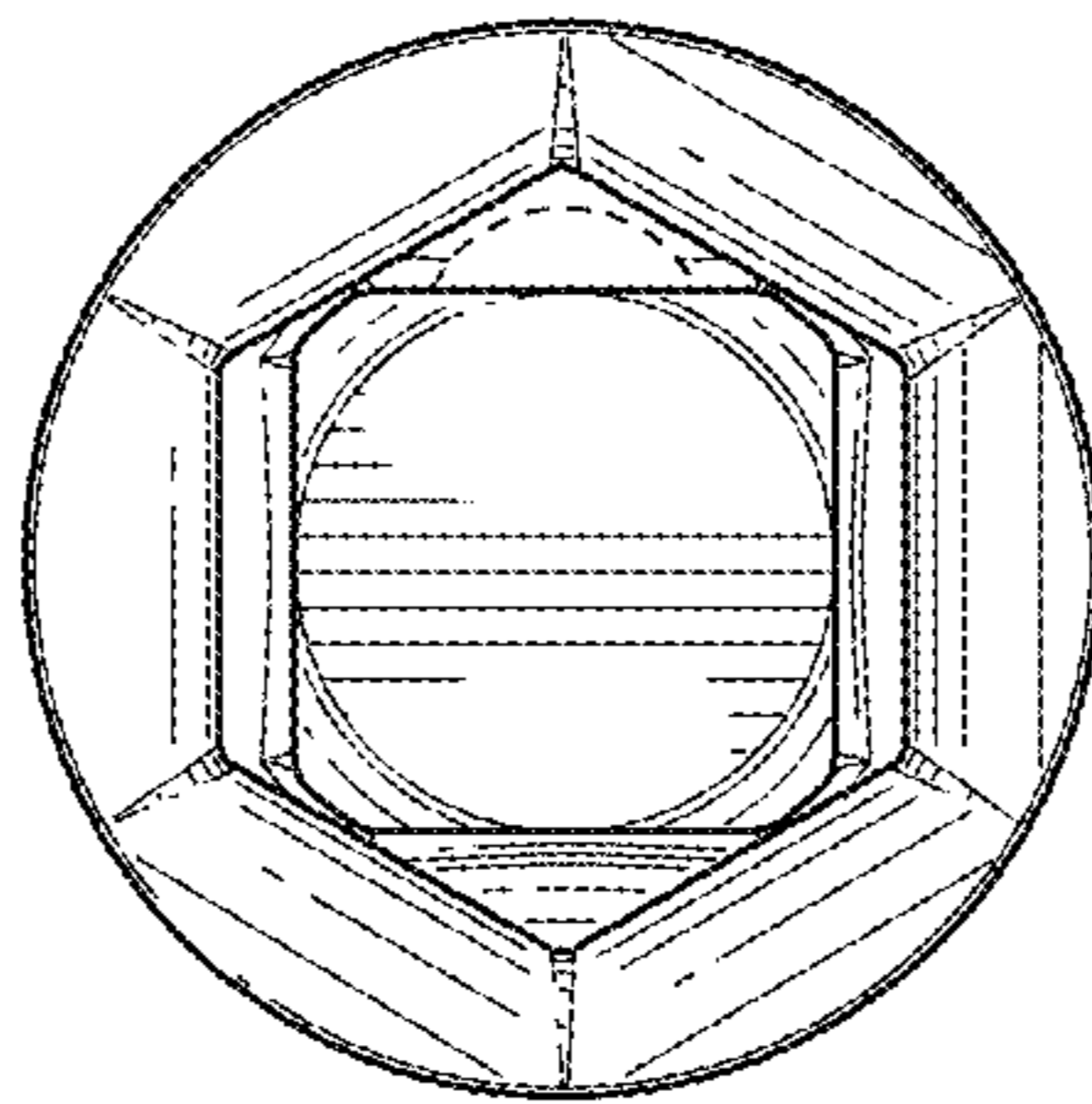


FIG. 3

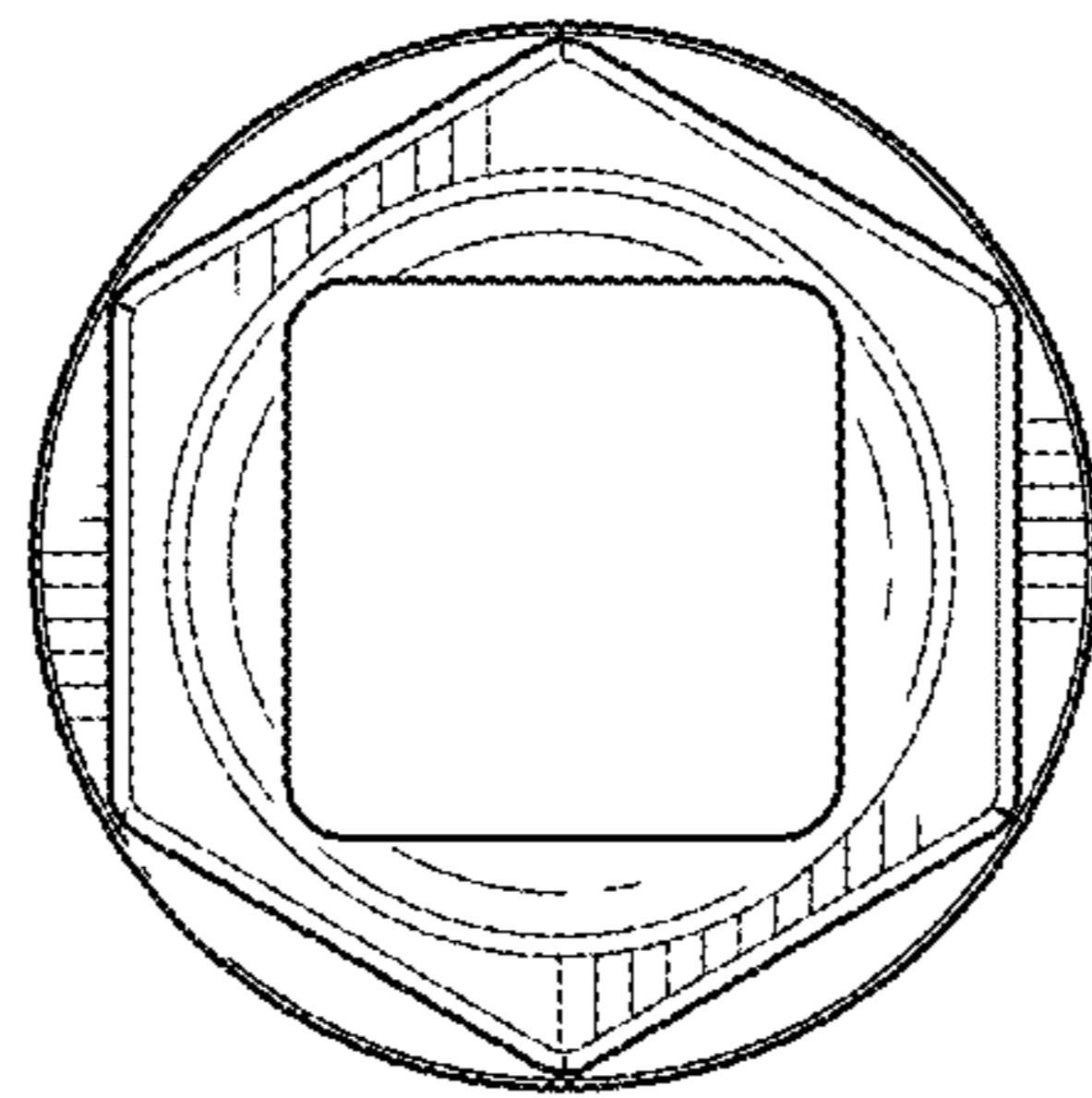


FIG. 4

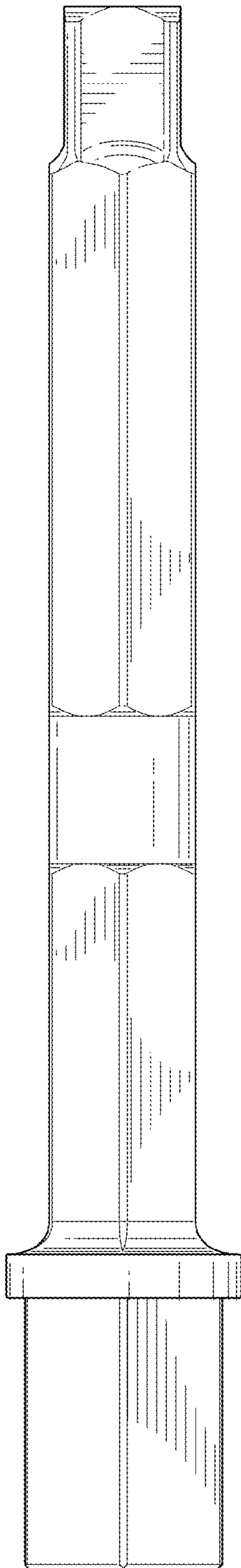


FIG. 5

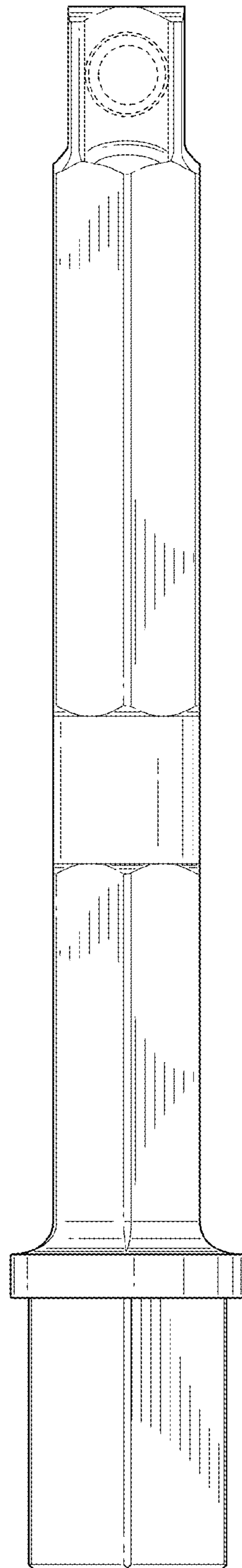


FIG. 6

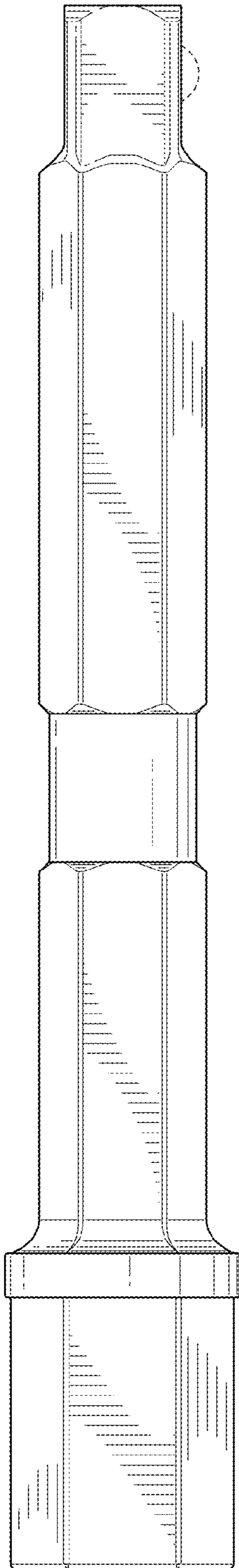


FIG. 7

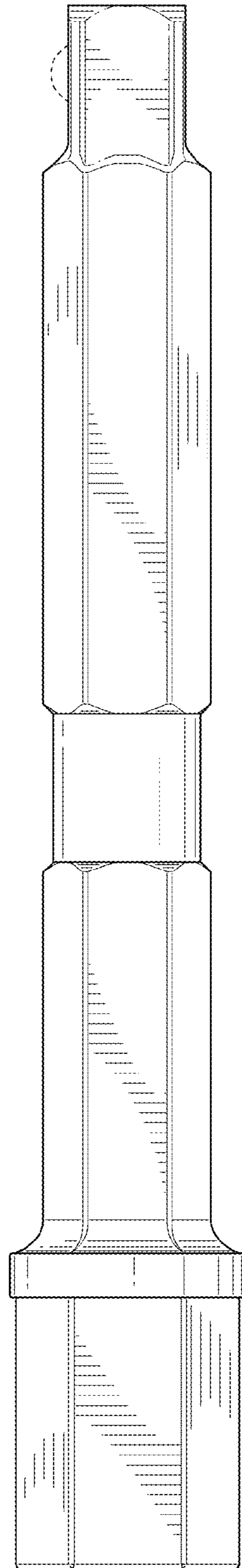


FIG. 8