



US00D761067S

(12) **United States Design Patent**
Mueller et al.

(10) **Patent No.:** **US D761,067 S**
(45) **Date of Patent:** **** Jul. 12, 2016**

(54) **CUTTING TOOL**

(71) Applicant: **Robert Bosch GmbH**, Stuttgart (DE)

(72) Inventors: **Steffen Mueller**, Stuttgart (DE);
Hans-Peter Aglassinger, Esslingen (DE)

(73) Assignee: **Robert Bosch GmbH**, Stuttgart (DE)

(**) Term: **14 Years**

(21) Appl. No.: **29/502,149**

(22) Filed: **Sep. 12, 2014**

(30) **Foreign Application Priority Data**

Mar. 14, 2014 (EM) 002425215

(51) **LOC (10) Cl.** **08-01**

(52) **U.S. Cl.**
USPC **D8/8**

(58) **Field of Classification Search**
USPC D8/1, 7, 8, 9, 499
CPC A01G 3/06; A01G 3/062; A01G 3/053;
A01G 3/0535; B25F 5/02; B27B 17/00
See application file for complete search history.

(56) **References Cited**

U.S. PATENT DOCUMENTS

D355,572 S *	2/1995	Griffin	D8/8
7,159,322 B2 *	1/2007	Sasaki	A01G 3/053 16/110.1
D560,983 S *	2/2008	Tinius	D8/8
D657,211 S *	4/2012	Kosugi	D8/8
D670,144 S *	11/2012	Tinius	D8/8
D678,737 S *	3/2013	Yamamoto	D8/8
D711,700 S *	8/2014	Mehra	D8/65
2005/0204568 A1 *	9/2005	Sasaki	A01G 3/053 30/210
2008/0134521 A1 *	6/2008	Hanada	A01G 3/053 30/173

2012/0073144 A1 *	3/2012	Tamura	B25F 5/006 30/272.1
2012/0249313 A1 *	10/2012	Valfridsson	H01H 9/06 340/407.2

FOREIGN PATENT DOCUMENTS

GB	2396580 A *	6/2004	A01G 3/053
JP	3532141 B2 *	5/2004	F02B 63/02

* cited by examiner

Primary Examiner — Sheryl Lane

Assistant Examiner — Ieisha Price

(74) *Attorney, Agent, or Firm* — Maginot, Moore & Beck LLP

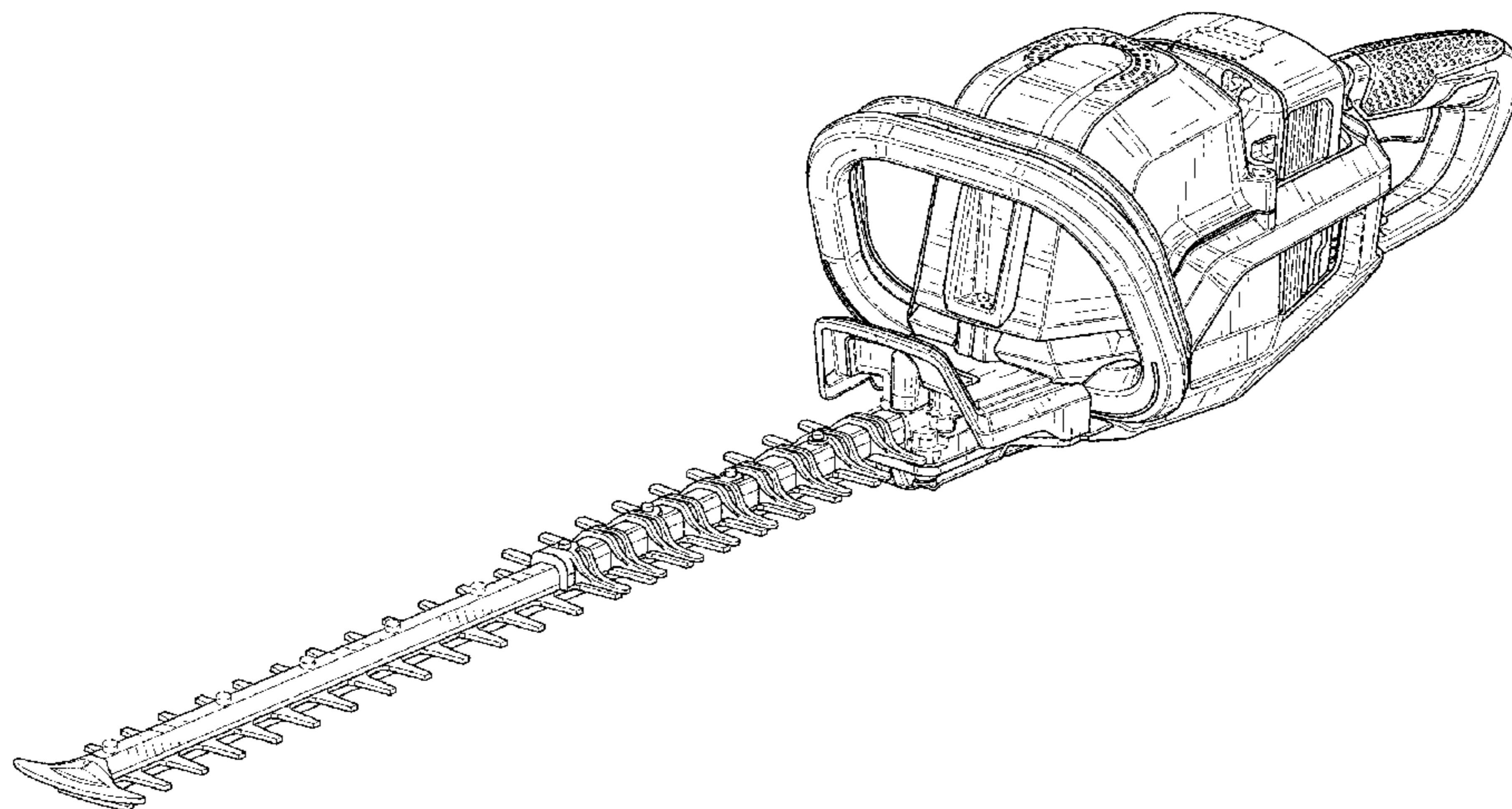
(57) **CLAIM**

The ornamental design for a cutting tool, as shown and described.

DESCRIPTION

FIG. 1 is a perspective view of a cutting tool showing our new design;
 FIG. 2 is a right side elevational view showing the cutting tool of FIG. 1;
 FIG. 3 is a left side elevational view showing the design for the cutting tool of FIG. 1;
 FIG. 4 is a front elevational view showing the design for the cutting tool of FIG. 1;
 FIG. 5 is a rear elevational view showing the design for the cutting tool of FIG. 1;
 FIG. 6 is a top plan view showing the design for the cutting tool of FIG. 1; and,
 FIG. 7 is a bottom plan view showing the design for the cutting tool of FIG. 1.
 The broken lines in the drawings illustrate portions of the cutting tool and form no part of the claimed design.

1 Claim, 6 Drawing Sheets



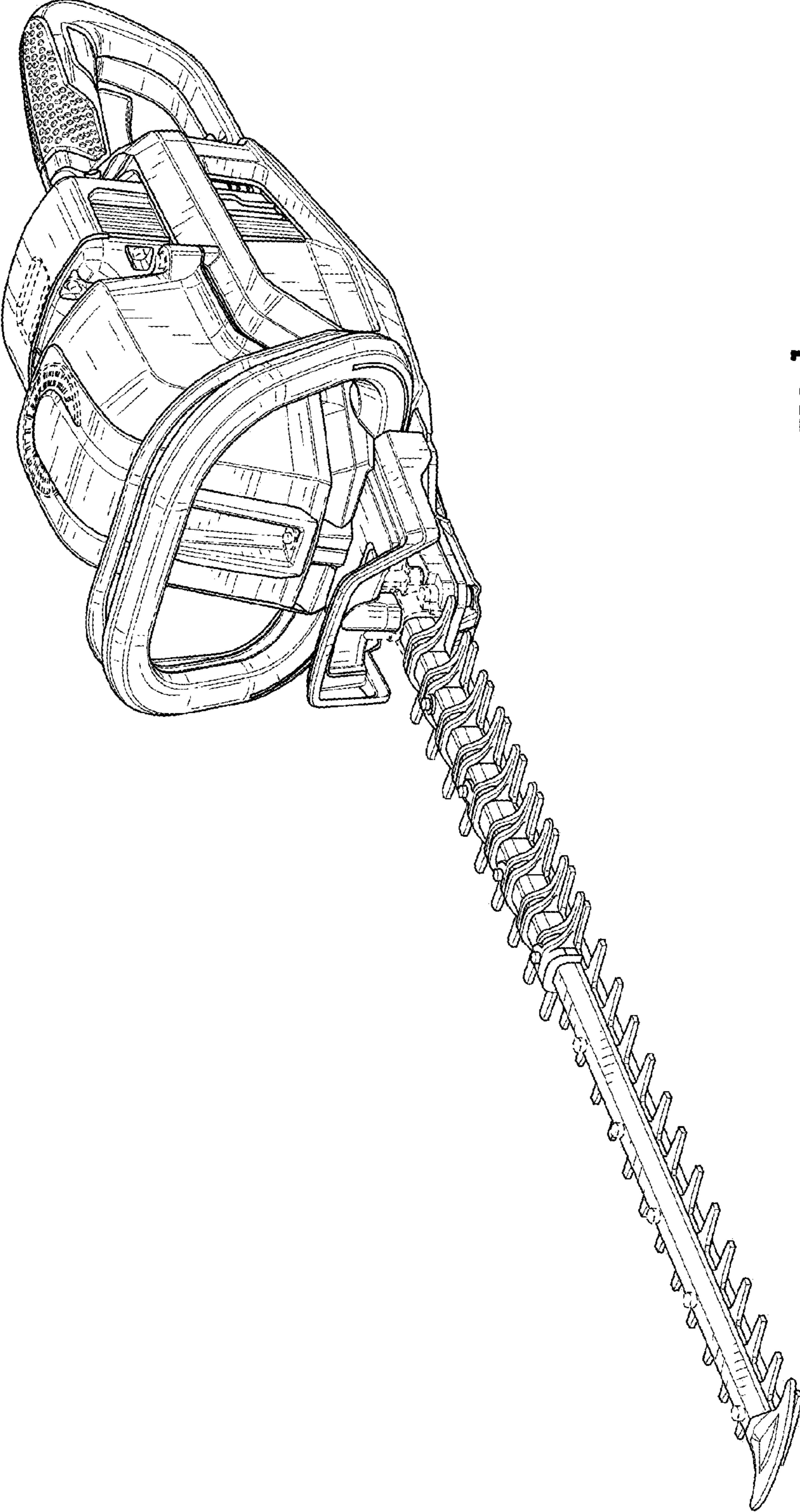


FIG. 1

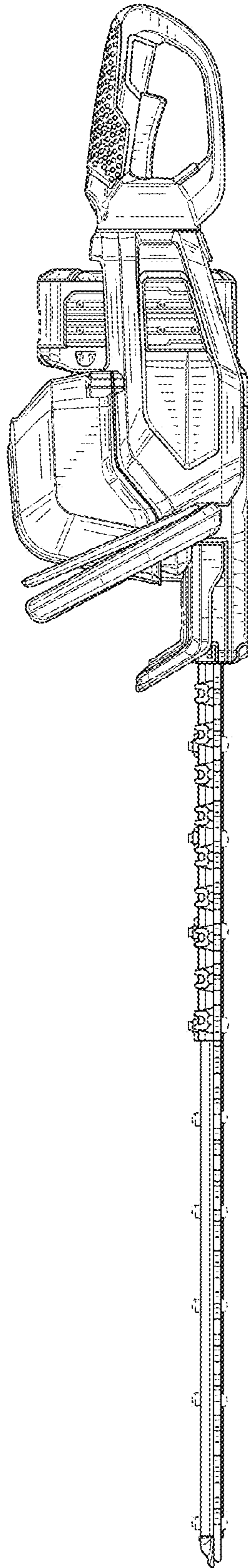


FIG. 2

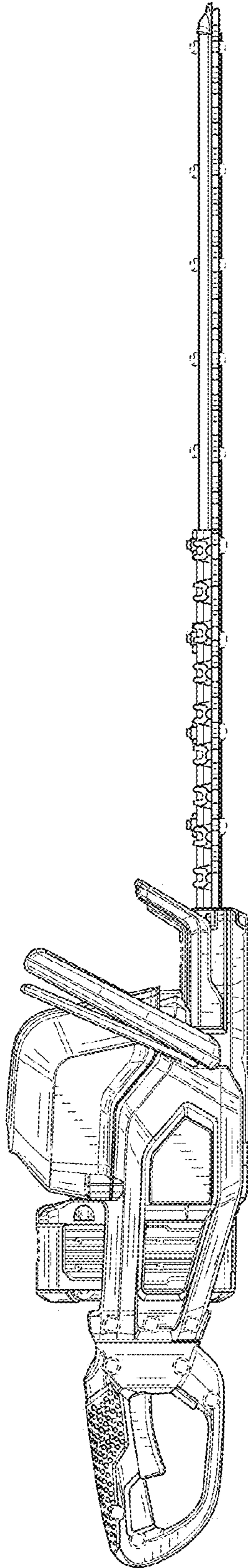


FIG. 3

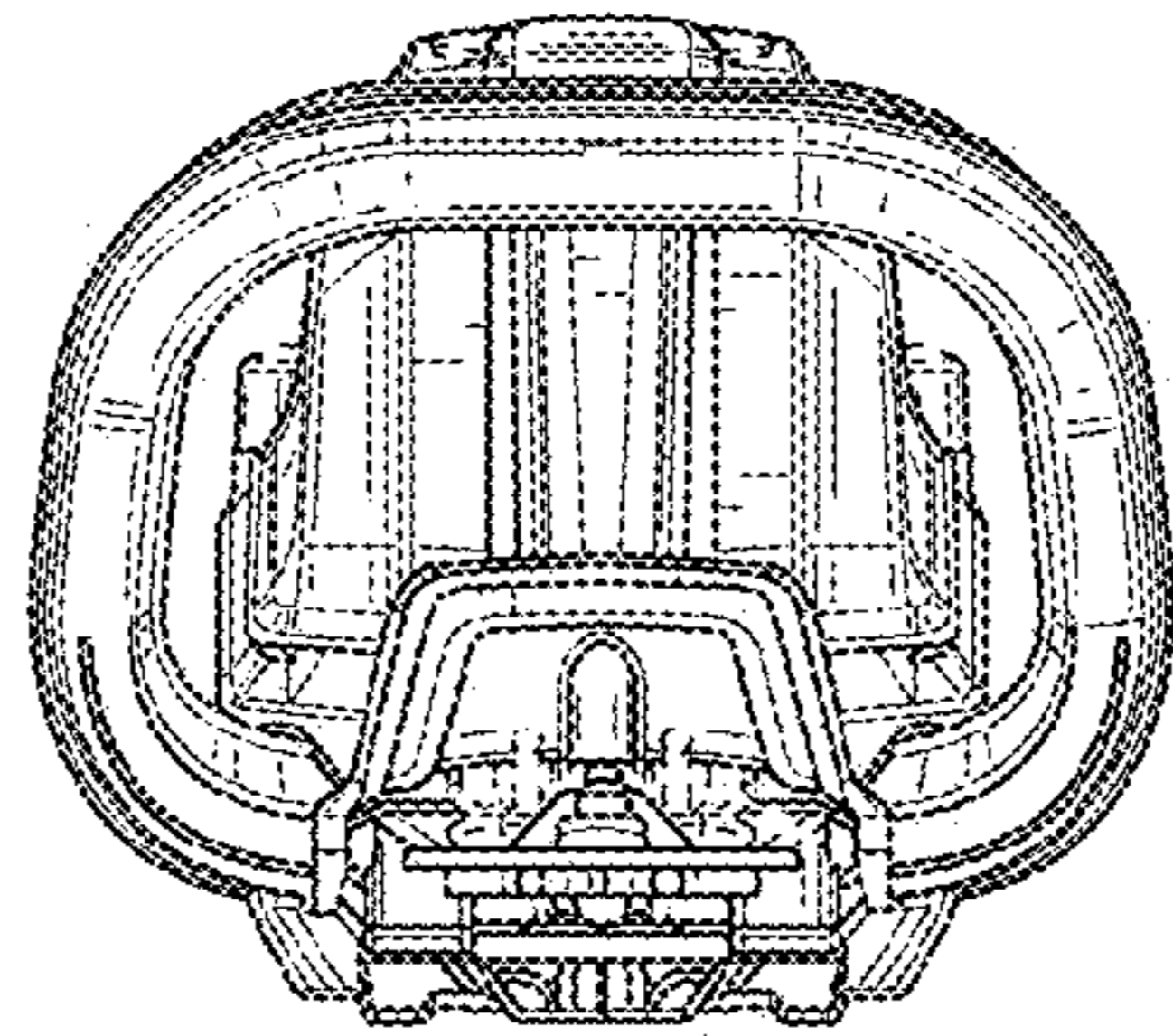


FIG. 4

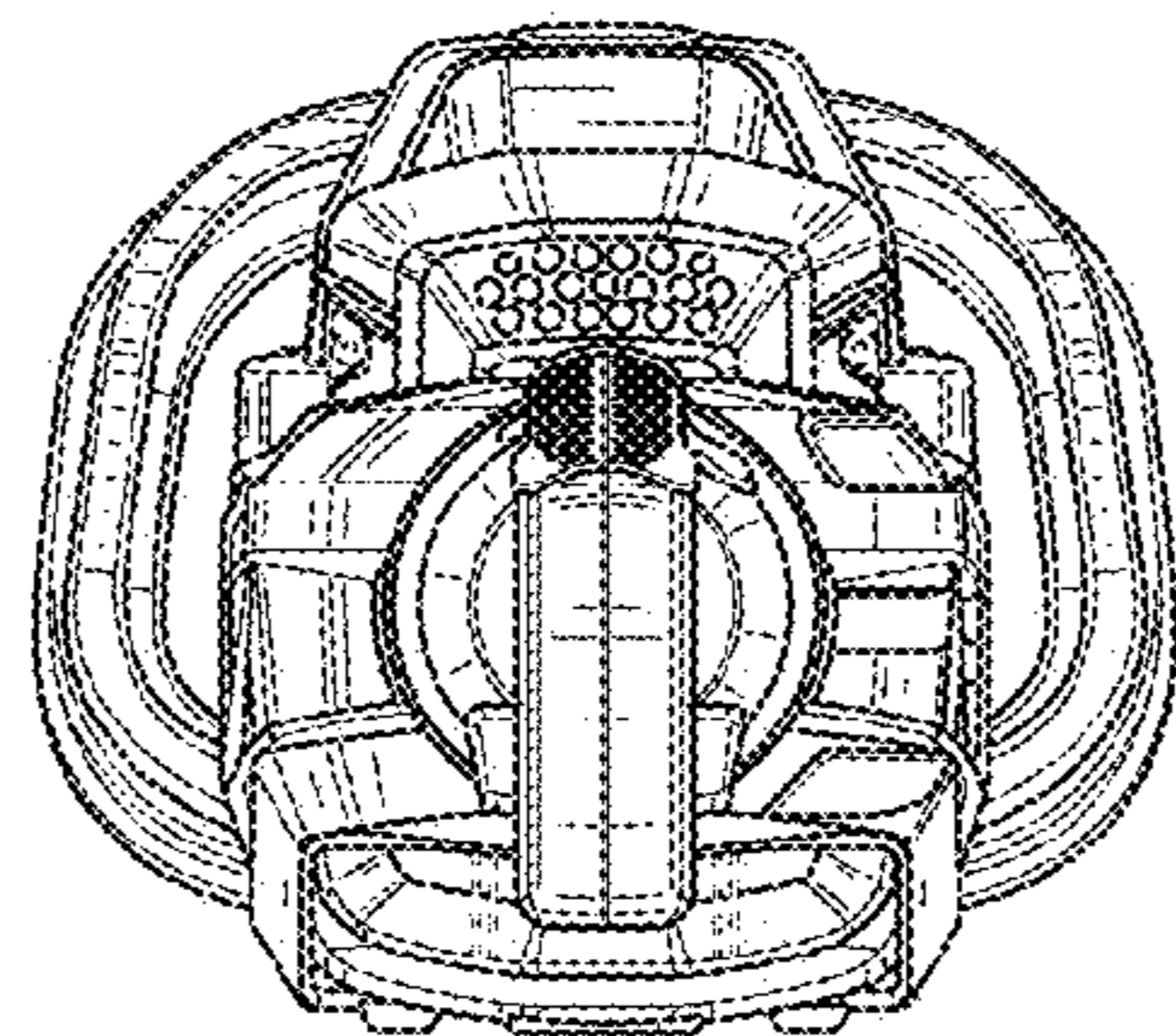


FIG. 5

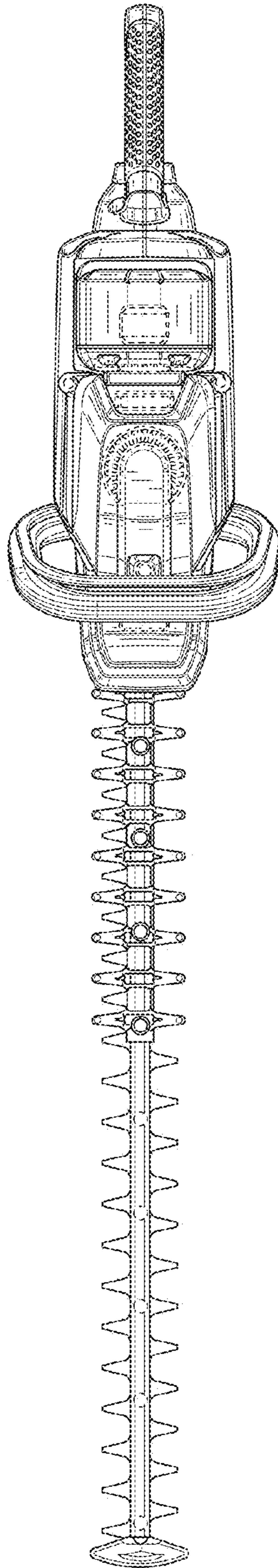


FIG. 6

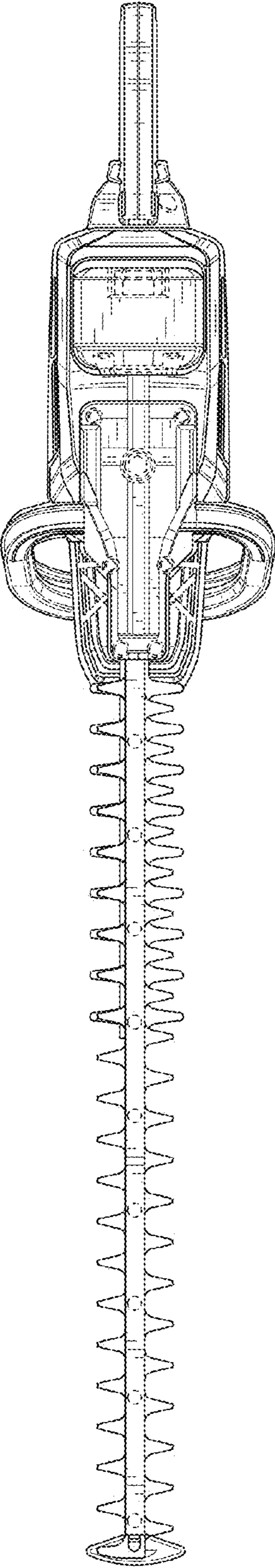


FIG. 7