



US00D761062S

(12) **United States Design Patent**
Goodman et al.

(10) **Patent No.:** **US D761,062 S**
(45) **Date of Patent:** **** Jul. 12, 2016**

(54) **HOLDER**

- (71) Applicant: **Spectrum Diversified Designs, Inc.**,
Streetsboro, OH (US)
- (72) Inventors: **Sheldon H. Goodman**, Solon, OH (US);
Phaysouk Xayoiphonh, Akron, OH
(US); **Jennifer K. Case**, Middleburg
Heights, OH (US)
- (73) Assignee: **Spectrum Diversified Designs, LLC**,
Streetsboro, OH (US)
- (**) Term: **14 Years**
- (21) Appl. No.: **29/503,212**
- (22) Filed: **Sep. 24, 2014**
- (51) **LOC (10) Cl.** **07-01**
- (52) **U.S. Cl.**
USPC **D7/601**
- (58) **Field of Classification Search**
USPC D3/306; D6/676.5, 677.5, 678, 678.4,
D6/680.3; D7/505, 587, 601, 602, 609,
D7/704; 211/13.1, 41.3, 41.4, 86.01,
211/88.01, 90.03, 181.1; 248/107, 116,
248/153, 175, 465.1
CPC A47B 23/00; A47B 41/06; A47D 15/00;
A45D 19/04; A47F 7/00; A47F 5/00; A47F
5/08; A47F 5/14; A47G 19/08; A47G 23/02;
A47J 47/16
See application file for complete search history.

(56) **References Cited**

U.S. PATENT DOCUMENTS

D634,122 S *	3/2011	Goodman	D3/306
D636,999 S *	5/2011	Goodman	D3/306
D652,689 S *	1/2012	Goodman	D7/637
D667,632 S *	9/2012	Goodman	D3/306
D747,101 S *	1/2016	Goodman	D3/304
D747,158 S *	1/2016	Goodman	D7/631

* cited by examiner

Primary Examiner — Susan Bennett Hattan

Assistant Examiner — S. Bryan Reinholdt, Jr.

(74) *Attorney, Agent, or Firm* — Renner, Otto, Boisselle & Sklar, LLP

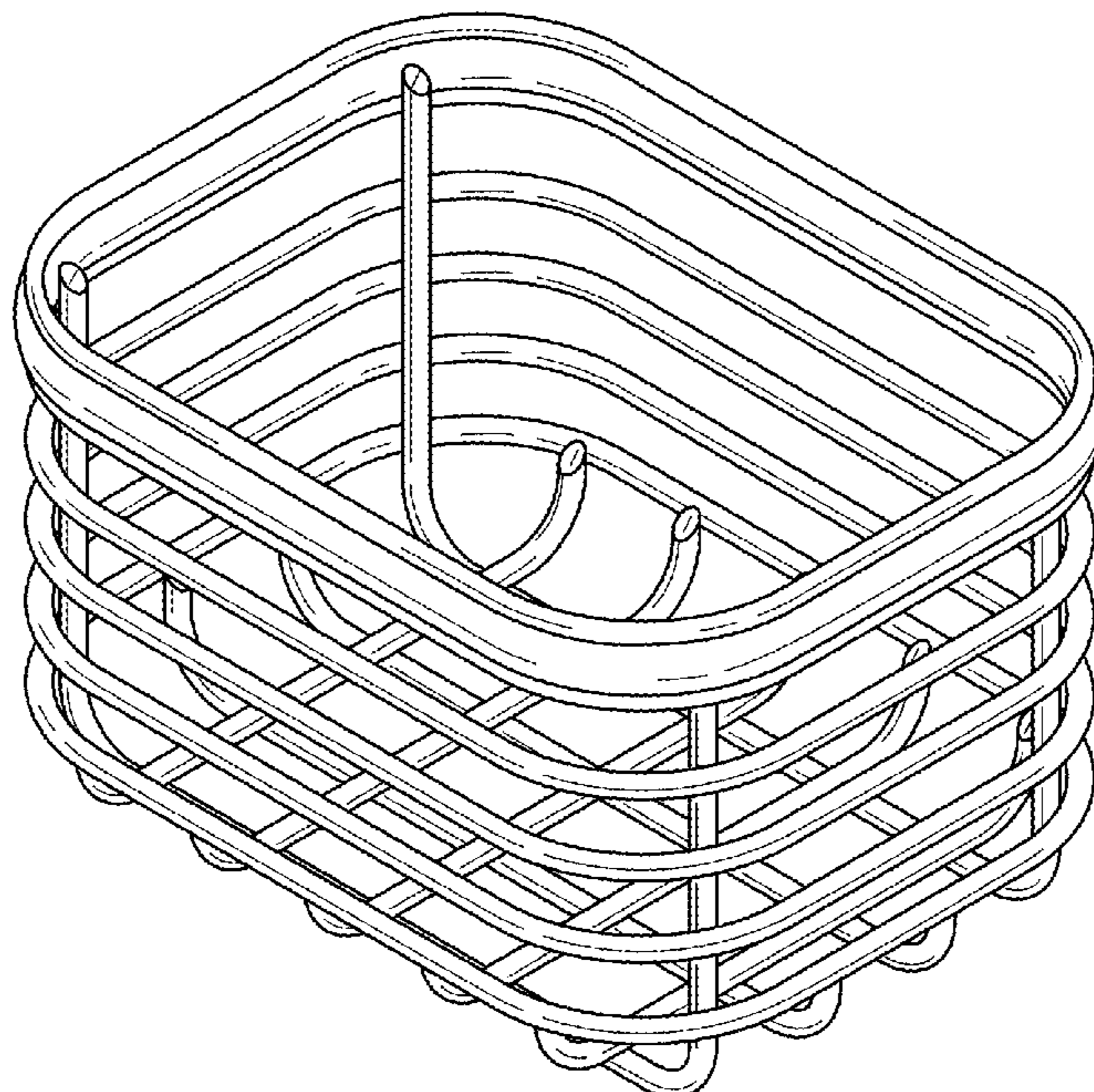
(57) **CLAIM**

The ornamental design for a holder, as shown and described.

DESCRIPTION

FIG. 1 is a perspective view of a holder showing our new design.
 FIG. 2 is a front view thereof, a rear view being a mirror image of the front view.
 FIG. 3 is a left side view thereof, a right side view being a mirror image of the left side view.
 FIG. 4 is a top view thereof; and,
 FIG. 5 is a bottom view thereof.

1 Claim, 3 Drawing Sheets



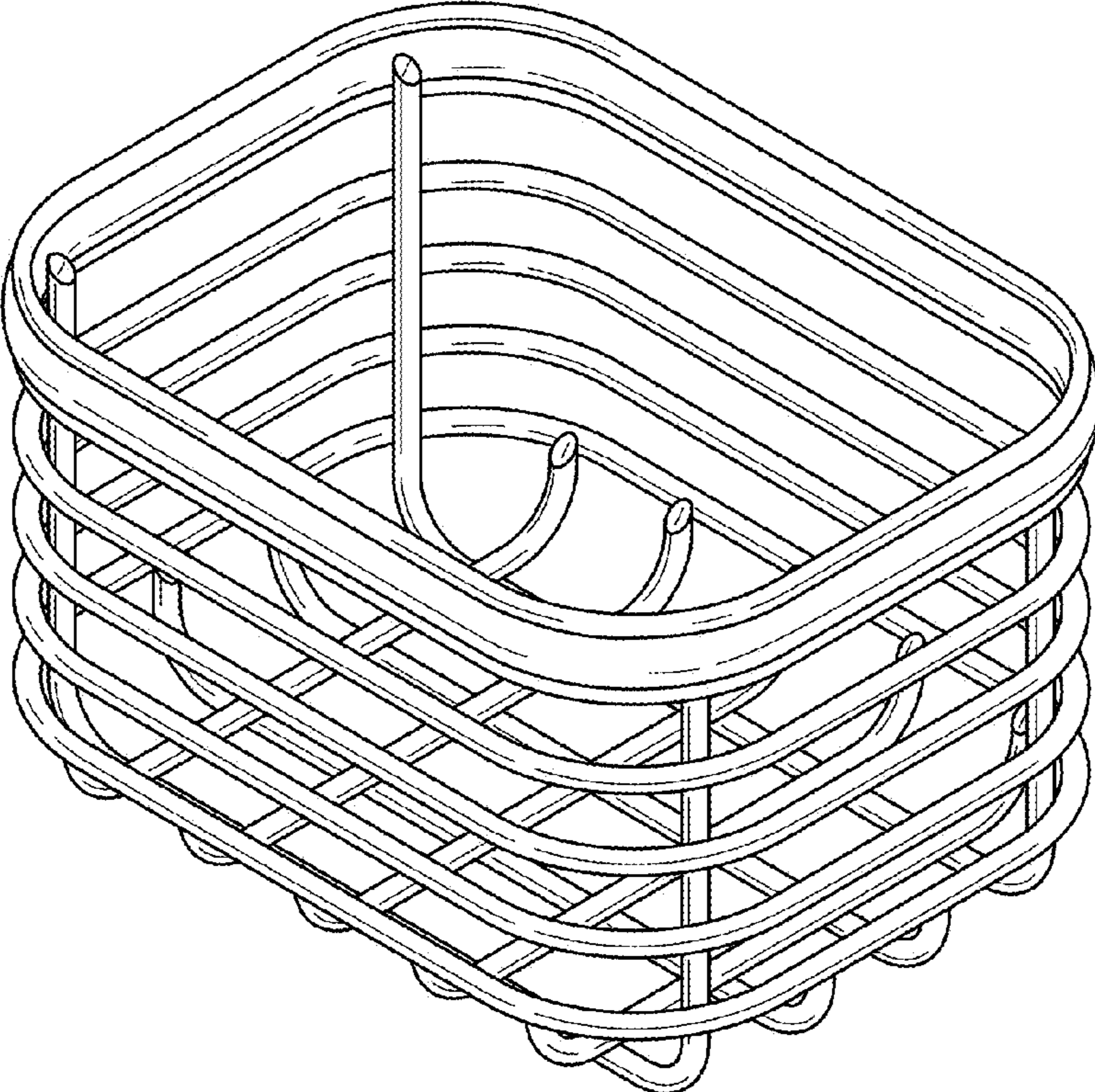


FIG. 1

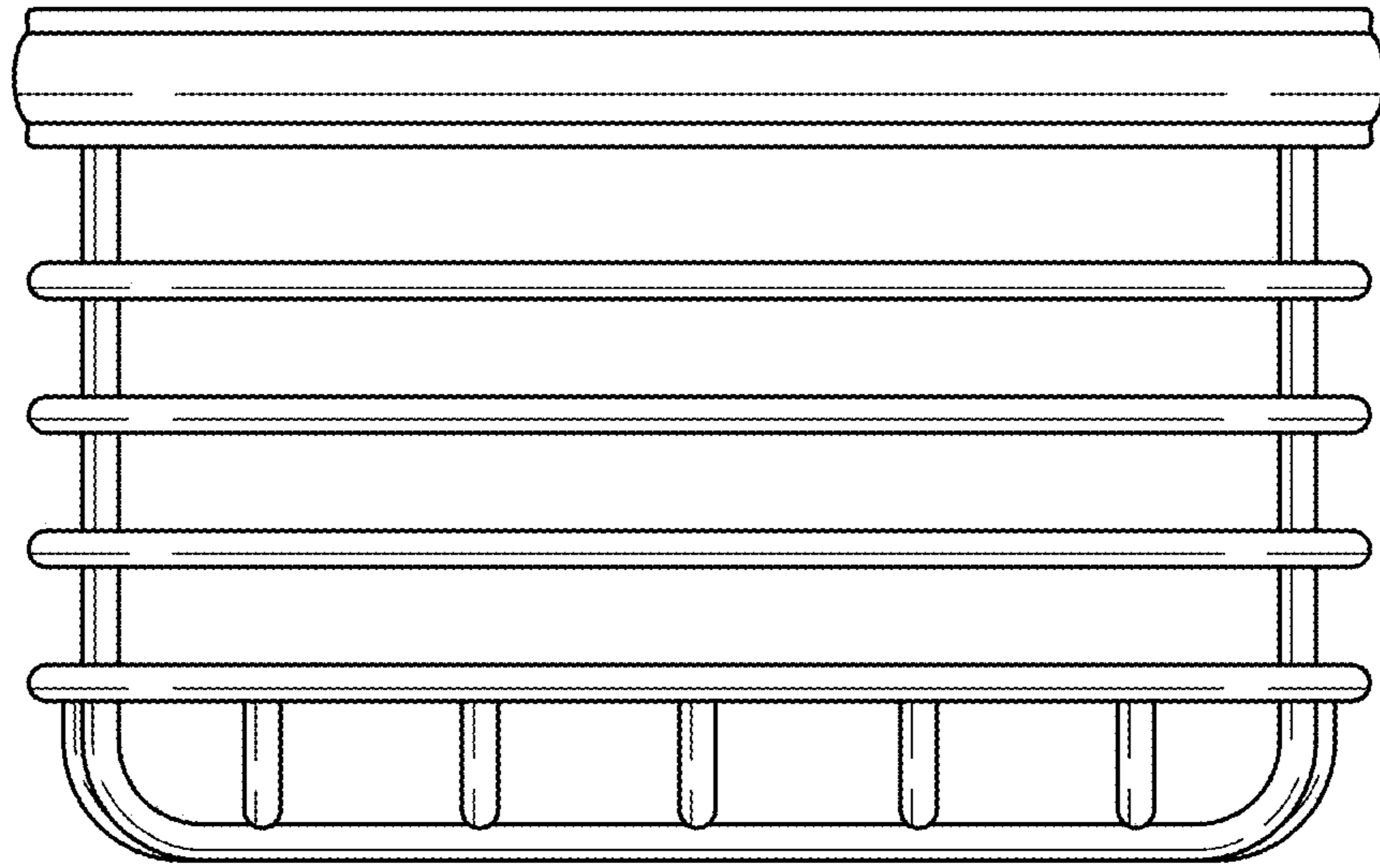


FIG. 2

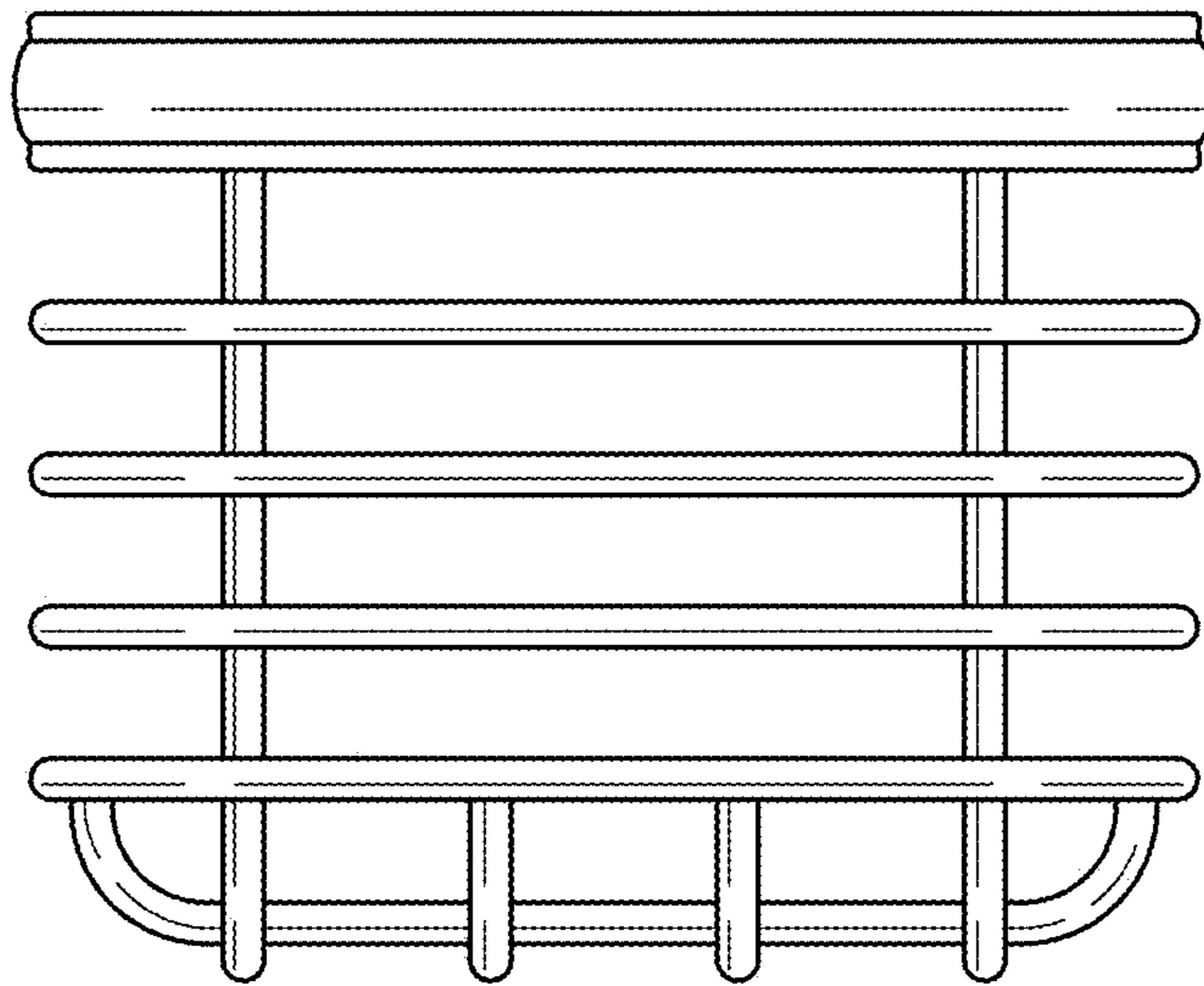


FIG. 3

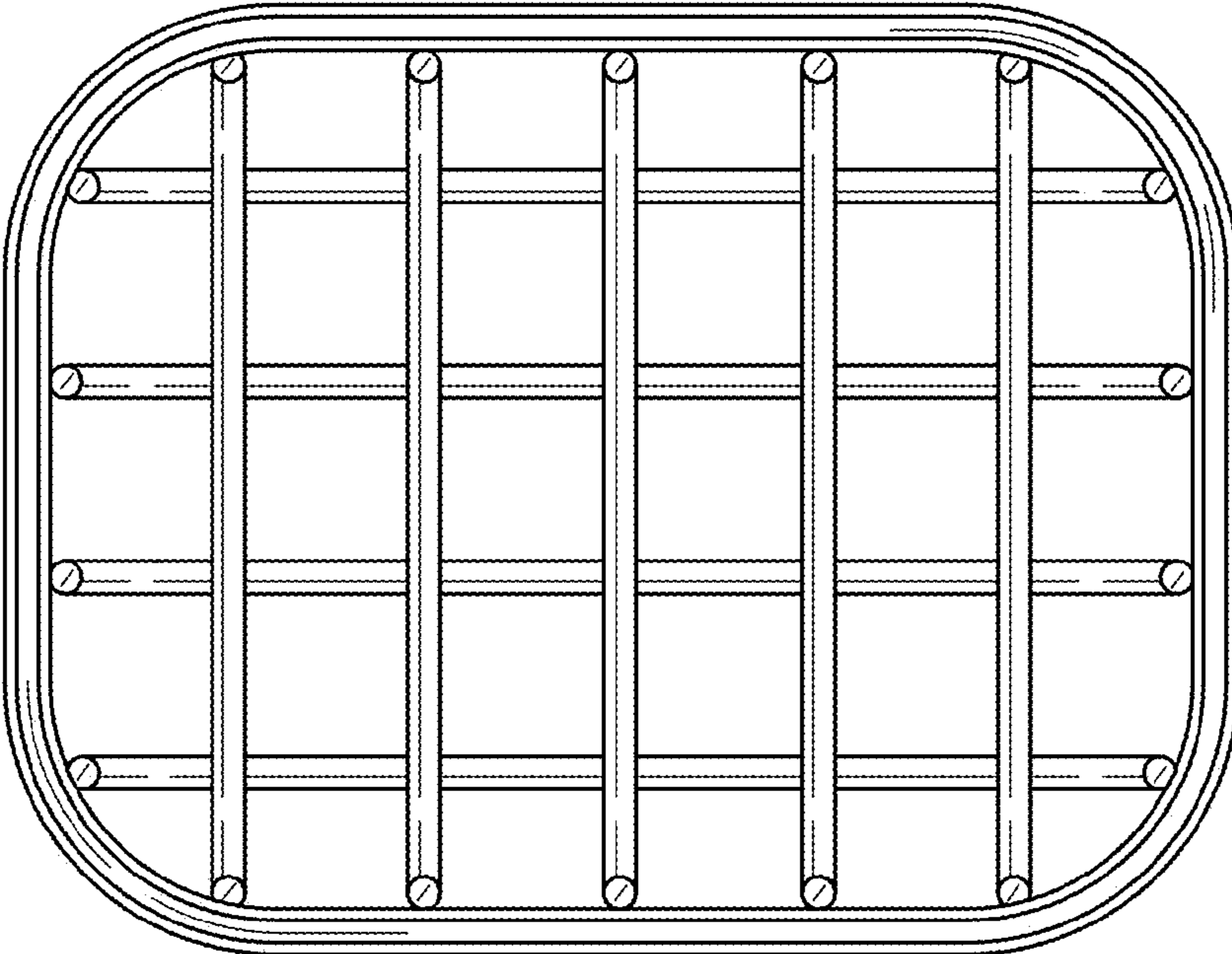


FIG. 4

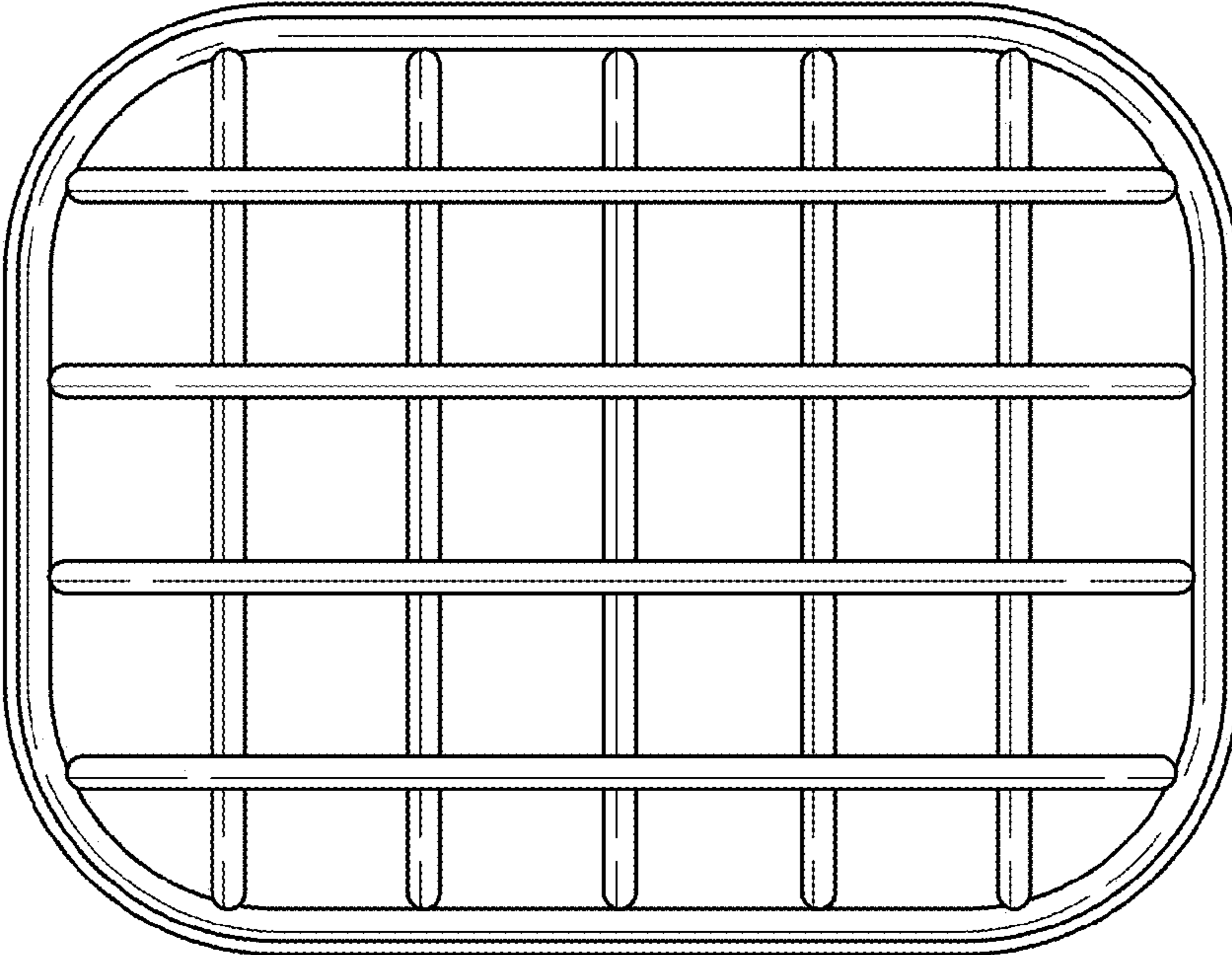


FIG. 5