

US00D761061S

(12) **United States Design Patent**
McConnell et al.

(10) **Patent No.:** **US D761,061 S**
(45) **Date of Patent:** **** Jul. 12, 2016**

- (54) **BOWL**
- (71) Applicant: **Whirlpool Corporation**, Benton Harbor, MI (US)
- (72) Inventors: **John W. McConnell**, St. Joseph, MI (US); **Leif A. Norland**, St. Joseph, MI (US); **Zhao Yi Yin**, Benton Harbor, MI (US)
- (73) Assignee: **Whirlpool Corporation**, Benton Harbor, MI (US)

D478,474 S *	8/2003	Zettle	D7/545
D485,126 S *	1/2004	Watson	D7/584
D549,040 S *	8/2007	Henry	D7/354
D591,590 S *	5/2009	Wilson	D9/428
D598,238 S *	8/2009	Durdon	D7/354
D606,452 S *	12/2009	White	D11/153
D607,329 S *	1/2010	Diss	D7/587
D651,865 S *	1/2012	Smyers	D7/584
D651,866 S *	1/2012	Smyers	D7/584
D699,078 S *	2/2014	Katterheinrich	D7/587
8,739,690 B2	6/2014	Chameroy et al.	
D737,634 S *	9/2015	Brown	D7/396.6
D742,585 S *	11/2015	Bennett	D27/136

- (**) Term: **14 Years**
- (21) Appl. No.: **29/519,517**
- (22) Filed: **Mar. 5, 2015**
- (51) **LOC (10) Cl.** **07-01**
- (52) **U.S. Cl.**
USPC **D7/587**
- (58) **Field of Classification Search**
USPC D7/587, 584, 500; D9/428
CPC A47G 19/02
See application file for complete search history.

FOREIGN PATENT DOCUMENTS

WO 0139643 A1 6/2001

* cited by examiner

Primary Examiner — Cynthia Underwood

(57) **CLAIM**

We claim the ornamental design for a bowl, as shown and described.

DESCRIPTION

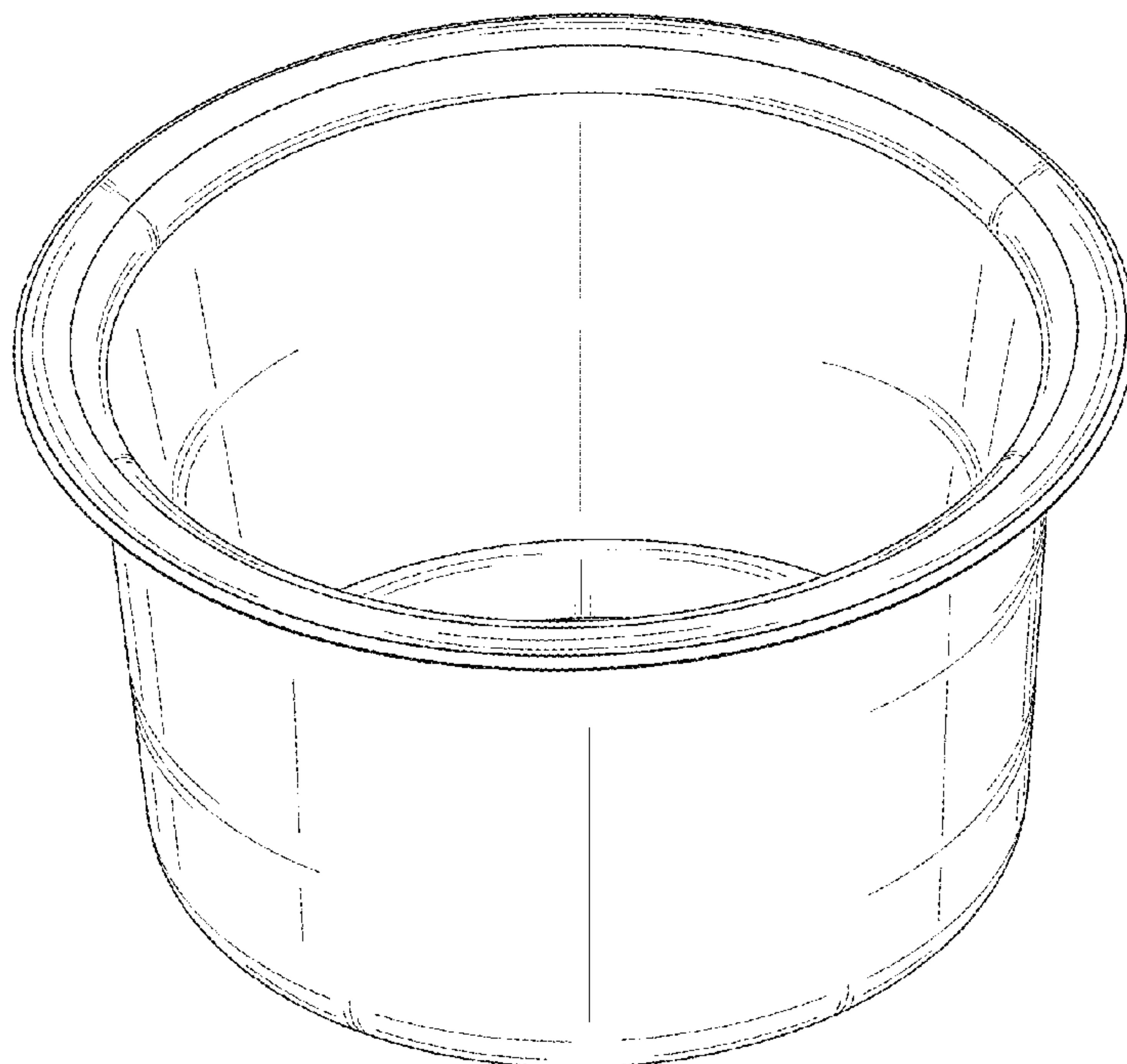
FIG. 1 is a top perspective view of a bowl of the present disclosure;
FIG. 2 is a first side elevational view of the bowl of FIG. 1;
FIG. 3 is a second side elevational view of the bowl of FIG. 1;
FIG. 4 is a third side elevational view of the bowl of FIG. 1;
FIG. 5 is a fourth side elevational view of the bowl of FIG. 1;
FIG. 6 is a top plan view of the bowl of FIG. 1; and,
FIG. 7 is a bottom plan view of the bowl of FIG. 1.

1 Claim, 4 Drawing Sheets

(56) **References Cited**

U.S. PATENT DOCUMENTS

2,592,992 A	4/1952	Abercrombie	
4,469,237 A	9/1984	Zerdian et al.	
4,685,587 A	8/1987	Sebillotte	
5,100,157 A	3/1992	Chabala	
5,641,085 A	6/1997	Lonbardo	
D428,771 S *	8/2000	Novi	D7/523



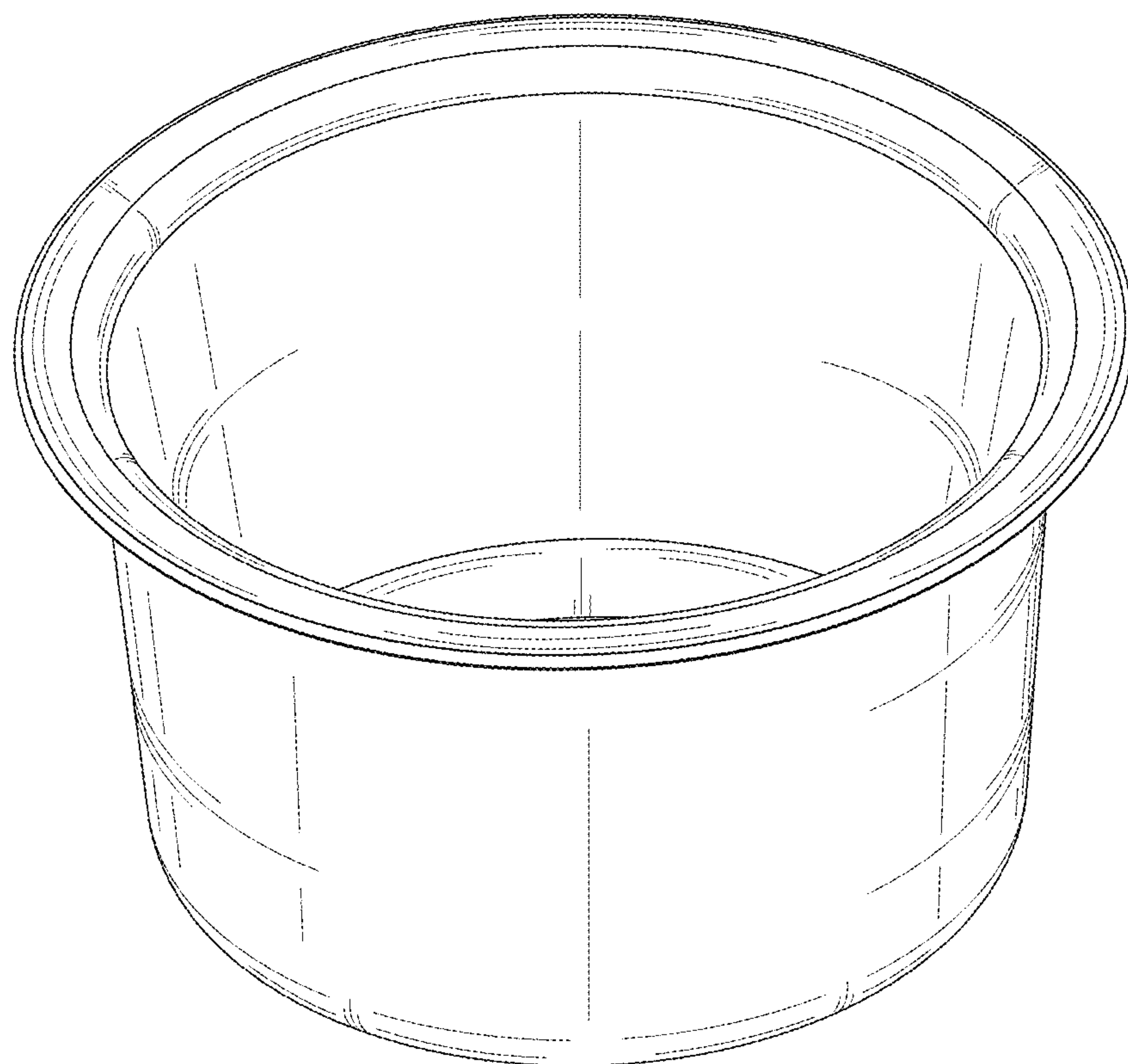


FIG. 1

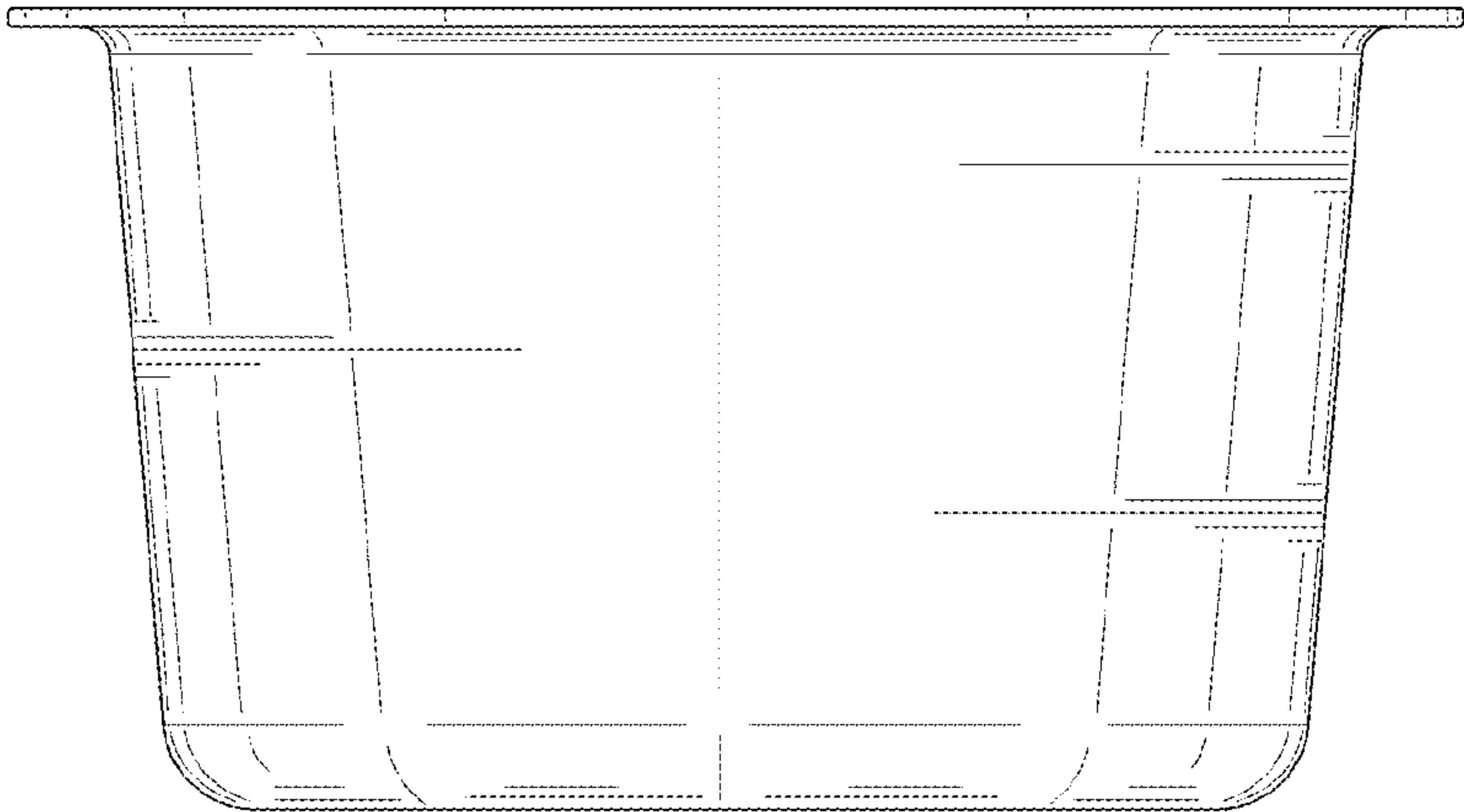


FIG. 2

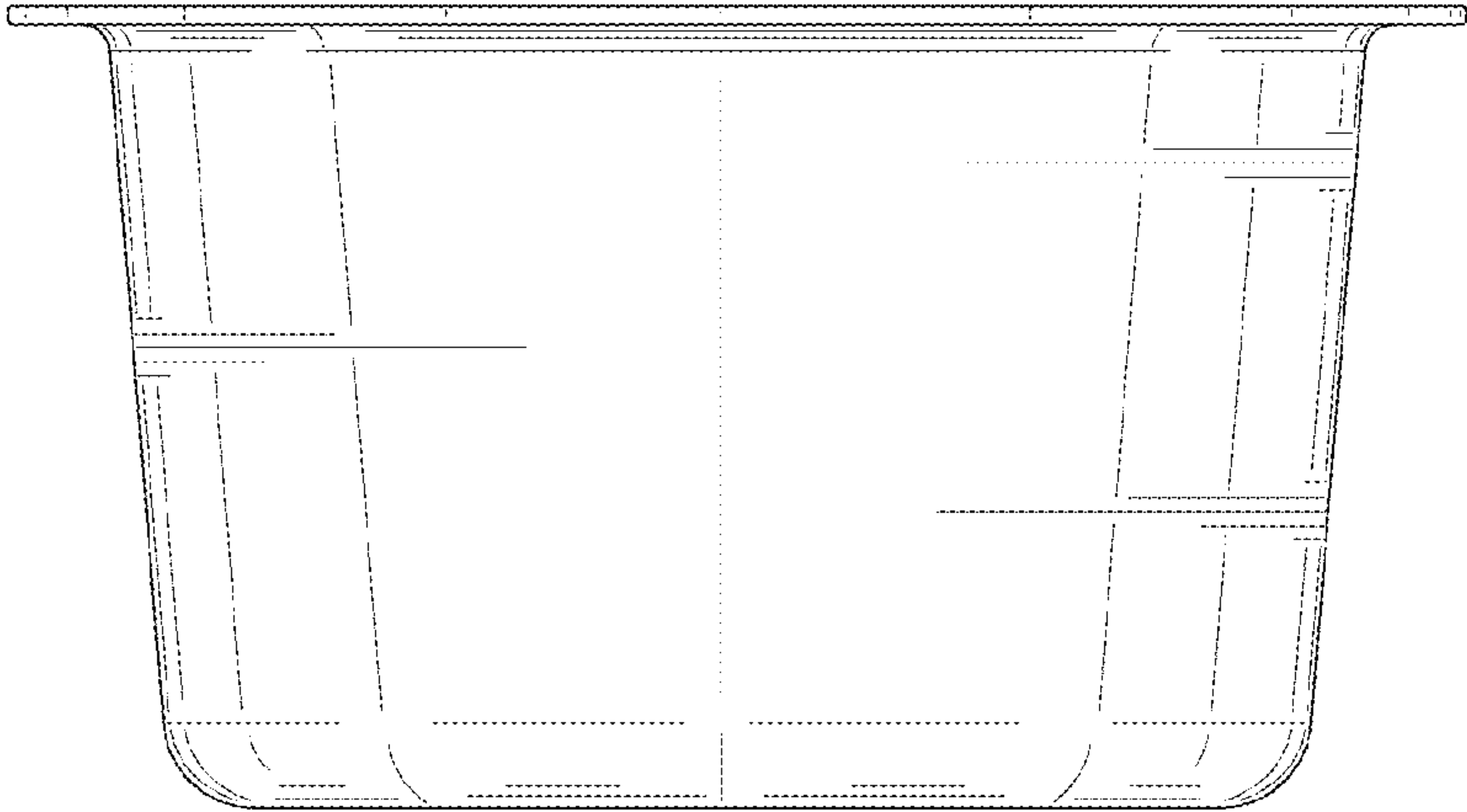


FIG. 3

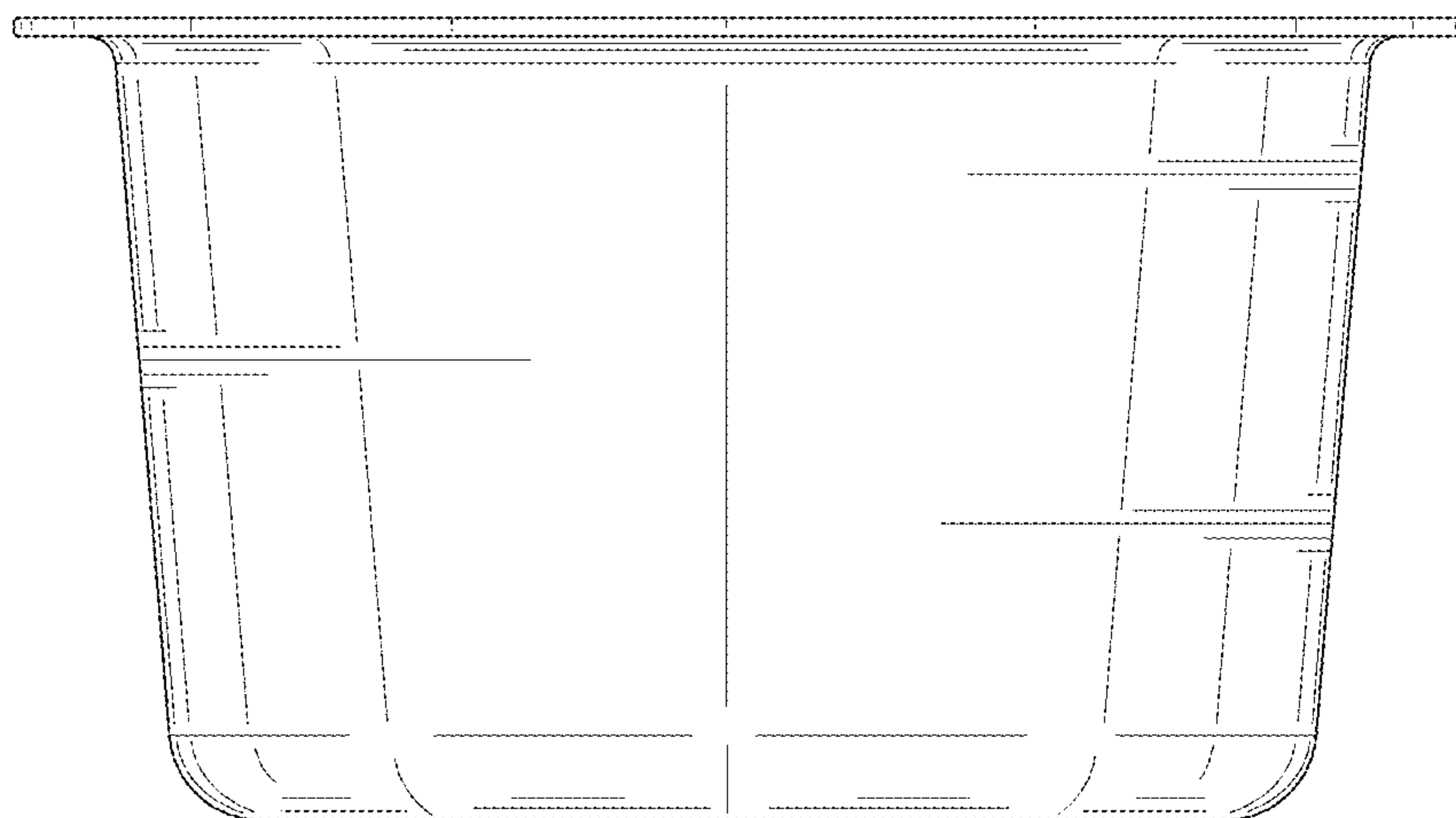


FIG. 4

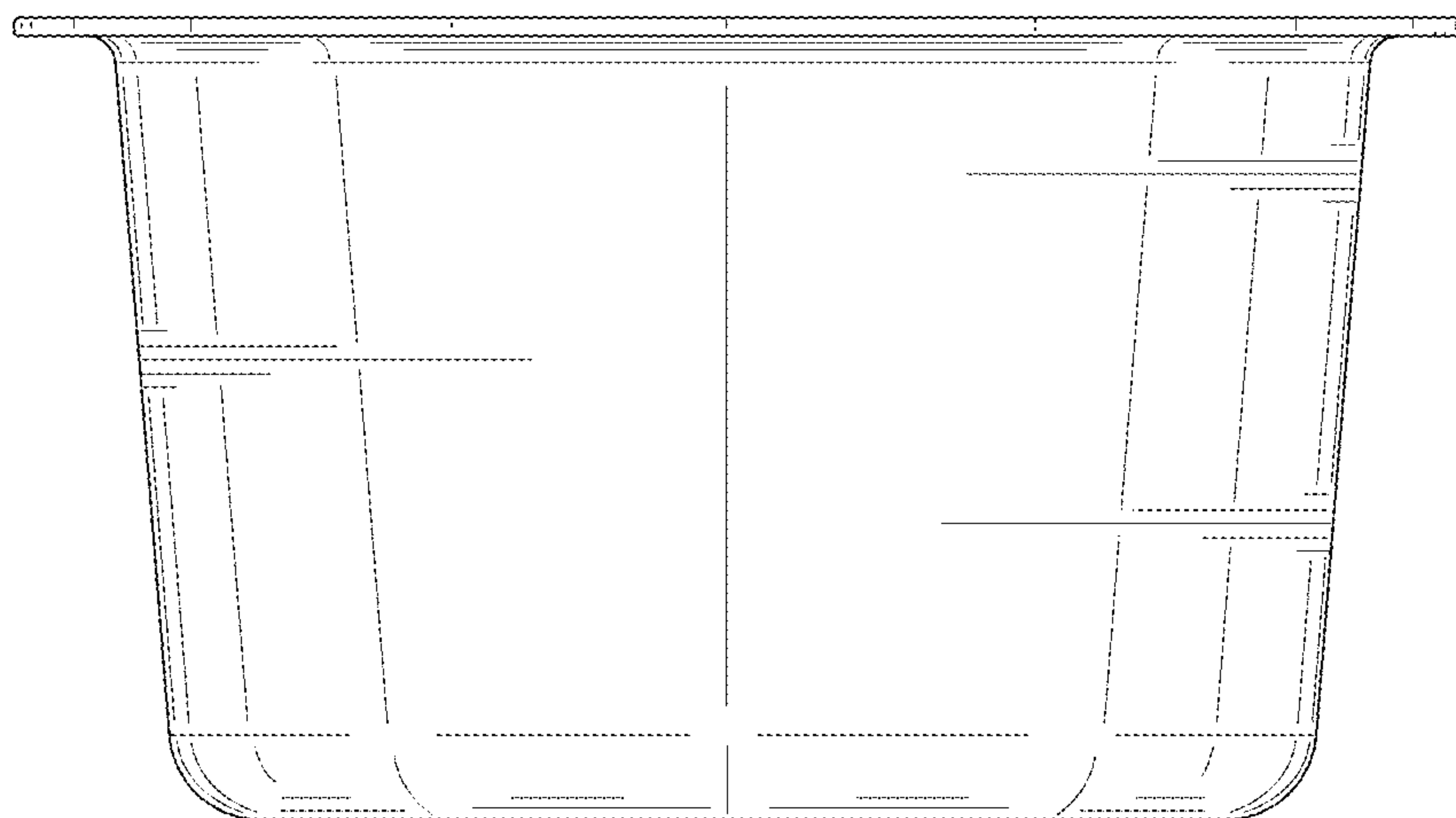


FIG. 5

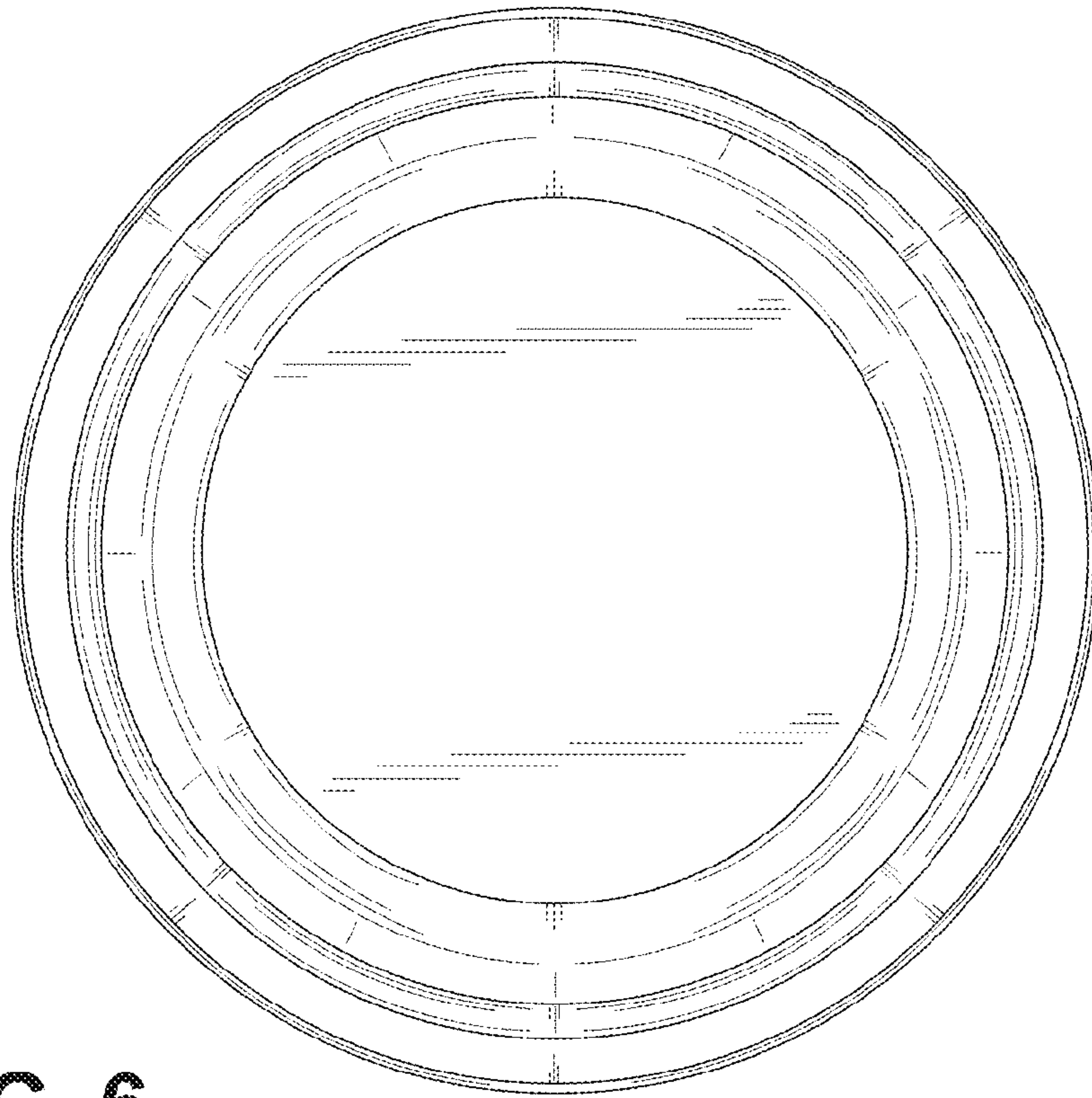


FIG. 6

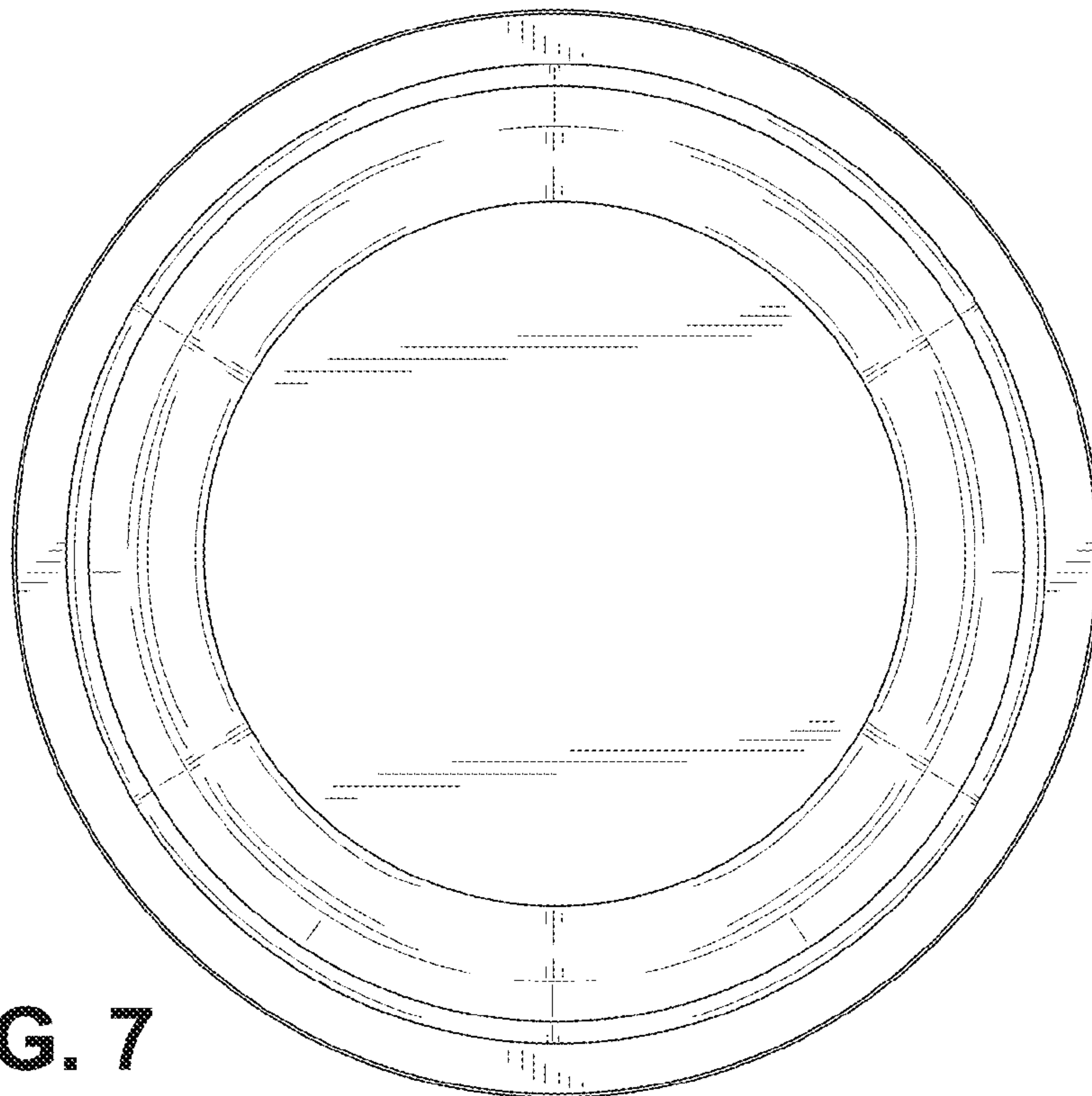


FIG. 7