



US00D761060S

(12) **United States Design Patent**
Thonis et al.

(10) **Patent No.:** **US D761,060 S**
(45) **Date of Patent:** **** Jul. 12, 2016**

- (54) **VESSEL**
- (71) Applicant: **Lenox Corporation**, Bristol, PA (US)
- (72) Inventors: **Paul Thonis**, New Hope, PA (US);
Emily C. Matt, Haddonfield, NJ (US)
- (73) Assignee: **Lenox Corporation**, Bristol, PA (US)
- (**) Term: **14 Years**
- (21) Appl. No.: **29/517,232**
- (22) Filed: **Feb. 11, 2015**

			215/12.2
D386,942	S	12/1997	McConnell
D386,946	S *	12/1997	Novalle D7/505
D415,948	S	11/1999	Carsello
6,076,699	A *	6/2000	Seager A47G 19/22 215/396
D444,897	S	7/2001	Yuen
D476,528	S *	7/2003	Janky D7/510
D586,605	S *	2/2009	Ma D7/317
D586,606	S *	2/2009	Ma D7/317
D597,378	S *	8/2009	Poindexter D7/536
D620,314	S *	7/2010	Dorsey D7/507
8,870,252	B2	10/2014	Pratho

OTHER PUBLICATIONS

Paul Thonis, "Kobenstyle Timeline," Lenox Corporation, internal memo (pertinent portions), 2012, 4 pages.
 Requirement for Restriction/Election, mailed on Sep. 23, 2014, in related Design U.S. Appl. No. 29/462,646.
 Notice of Allowance, mailed on Nov. 13, 2014, in related Design U.S. Appl. No. 29/462,646.

* cited by examiner

Primary Examiner — Marianne Pandozzi

- Related U.S. Application Data**
- (62) Division of application No. 29/462,646, filed on Aug. 6, 2013, now Pat. No. Des. 724,375.
 - (51) **LOC (10) Cl.** **07-01**
 - (52) **U.S. Cl.**
USPC **D7/536**
 - (58) **Field of Classification Search**
USPC D7/536, 319, 394, 393, 396.2, 533, 509,
D7/523, 608, 619.1, 624.2; 220/771,
220/592.17, 710.5; 215/396, 398;
16/DIG. 19, DIG. 12, 419, 425, 430;
D8/320, 319
CPC A47G 19/22; A47J 27/21041; B67D 23/19
See application file for complete search history.

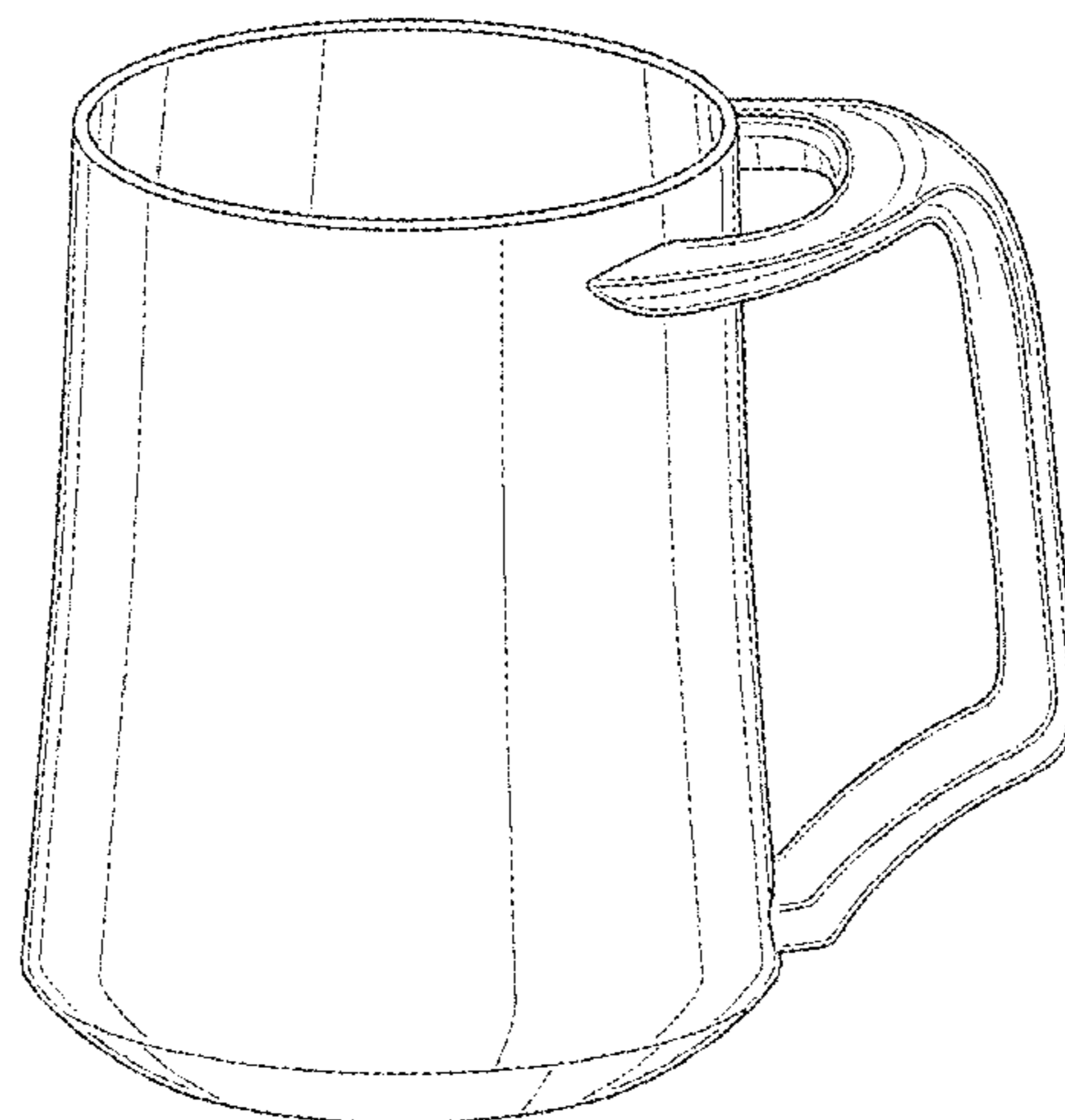
(57) **CLAIM**
We claim the ornamental design for a vessel, as shown and described.

DESCRIPTION

FIG. 1 is a side perspective view of a first embodiment of our new design for a vessel, featuring the top and right sides thereof;
 FIG. 2 is a right side elevational view thereof;
 FIG. 3 is a left side elevational view thereof;
 FIG. 4 is a front elevational view thereof;
 FIG. 5 is a rear elevational view thereof;
 FIG. 6 is a top elevational view thereof; and,
 FIG. 7 is a bottom elevational view thereof.
 The broken lines depict portions of the vessel that form no part of the claimed design.

1 Claim, 7 Drawing Sheets

- (56) **References Cited**
- U.S. PATENT DOCUMENTS
- | | | | | | |
|-----------|-----|---------|-----------|-------|------------------------|
| D60,378 | S * | 2/1922 | Sanford | | D7/319 |
| D193,064 | S * | 6/1962 | Jones | | D7/319 |
| 3,057,016 | A * | 10/1962 | Schilling | | B29C 45/16
215/12.2 |
| D202,643 | S * | 10/1965 | Hoyt, Jr. | | D7/536 |
| D213,458 | S * | 3/1969 | Gulotta | | D7/536 |
| D226,962 | S * | 5/1973 | Krock | | D7/536 |
| D243,911 | S * | 4/1977 | Thorud | | D7/536 |
| D243,962 | S * | 4/1977 | Goto | | D27/157 |
| 4,357,809 | A * | 11/1982 | Held | | A47G 19/2288 |



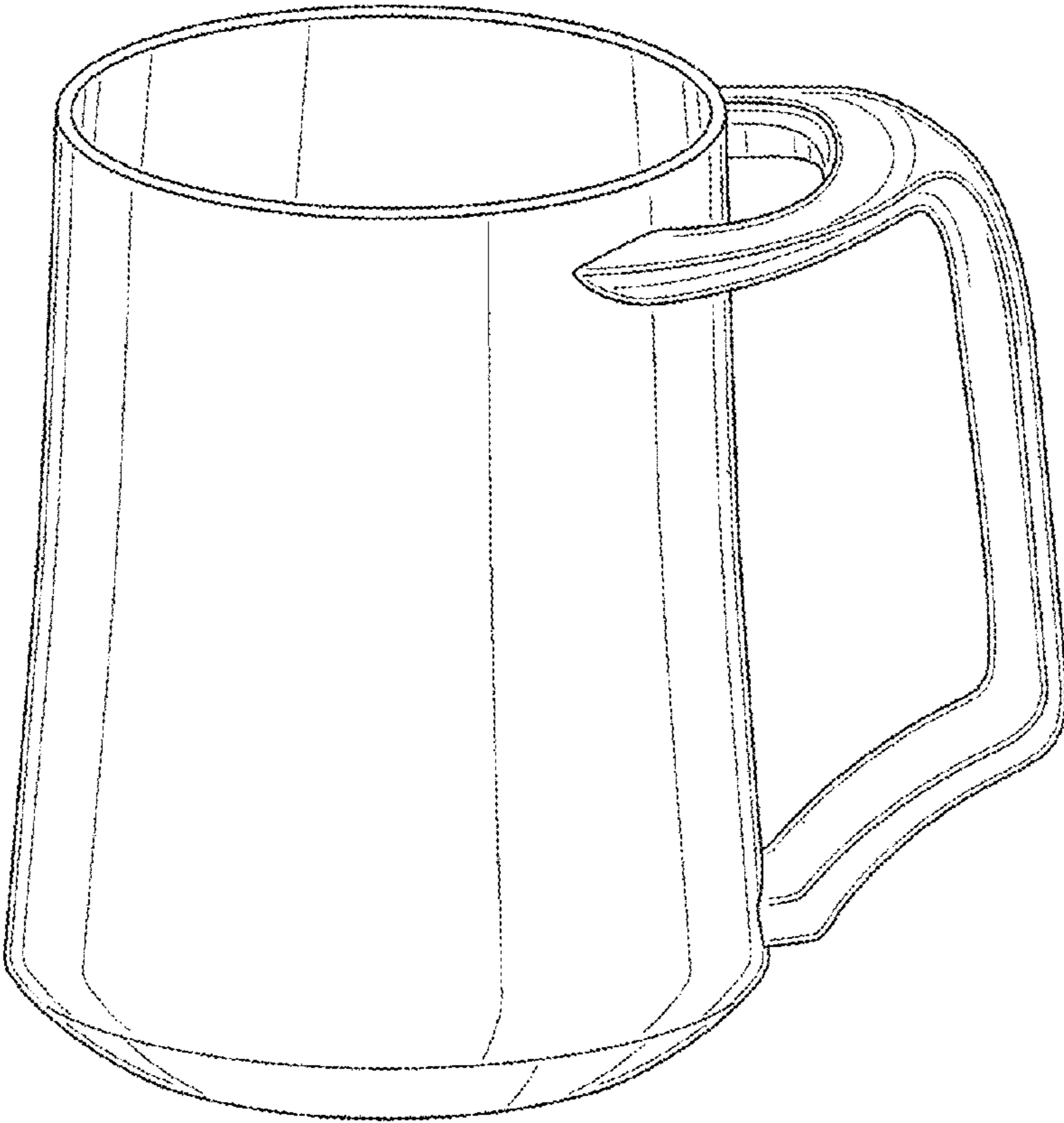


FIG. 1

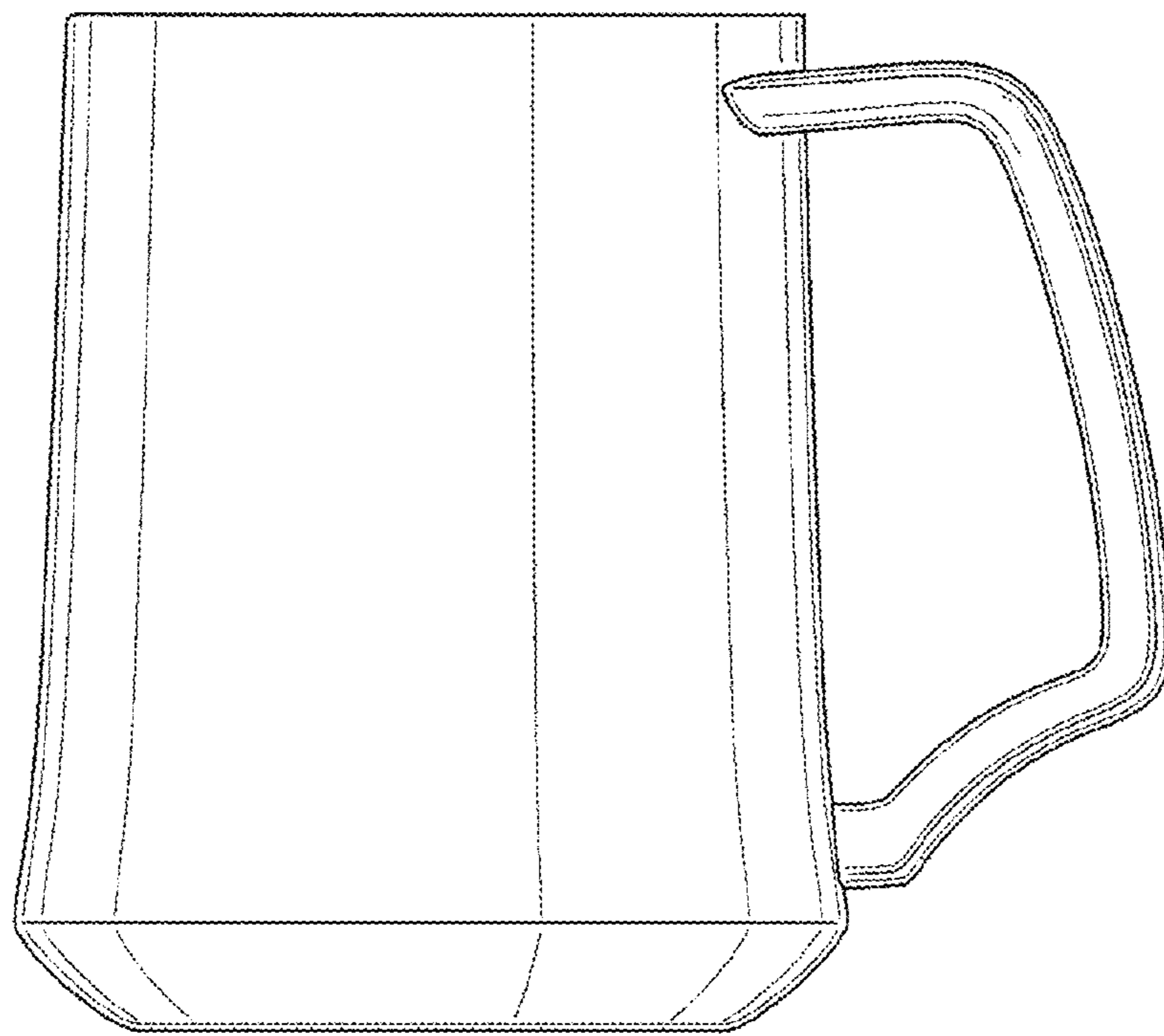


FIG. 2

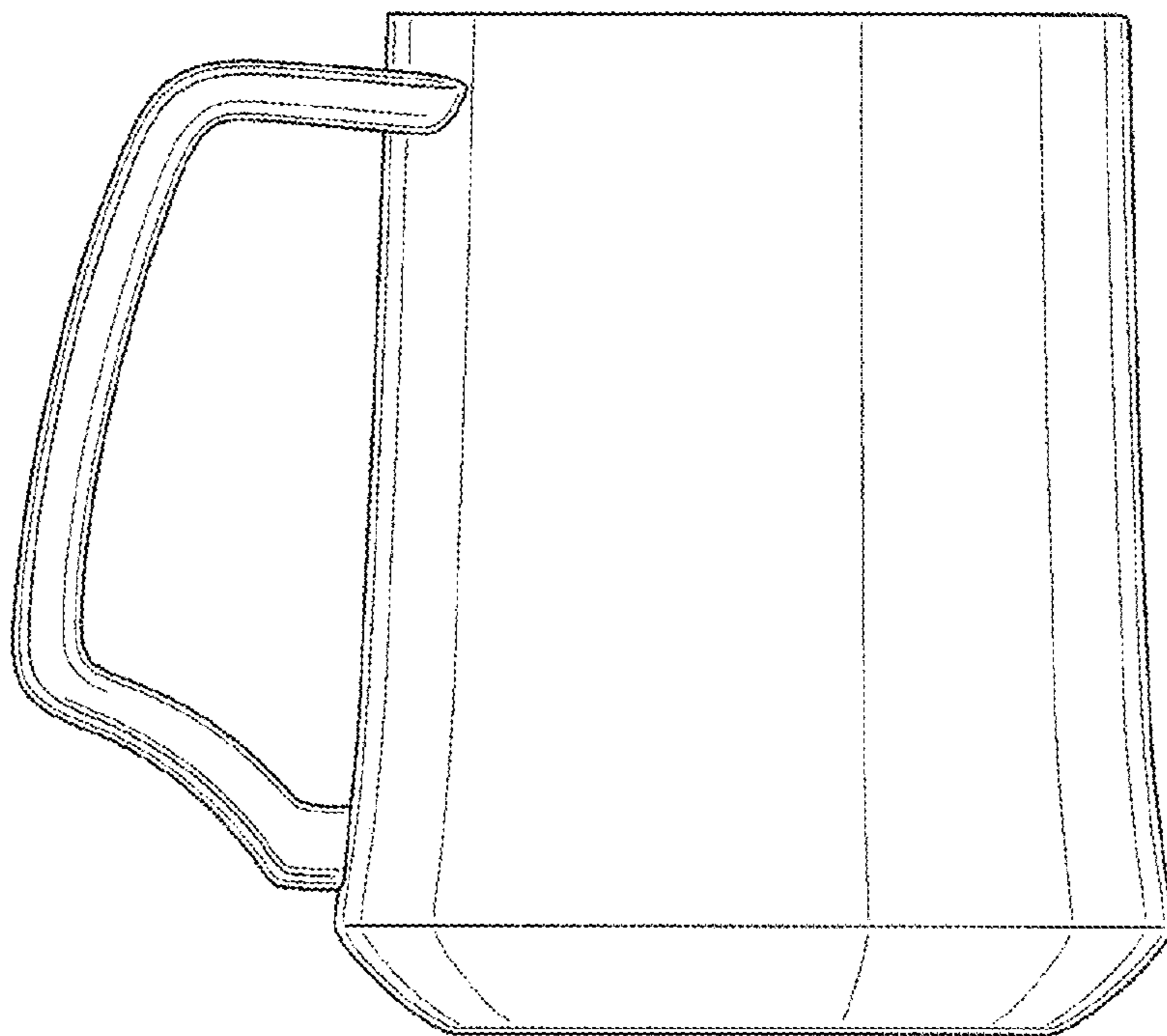


FIG. 3

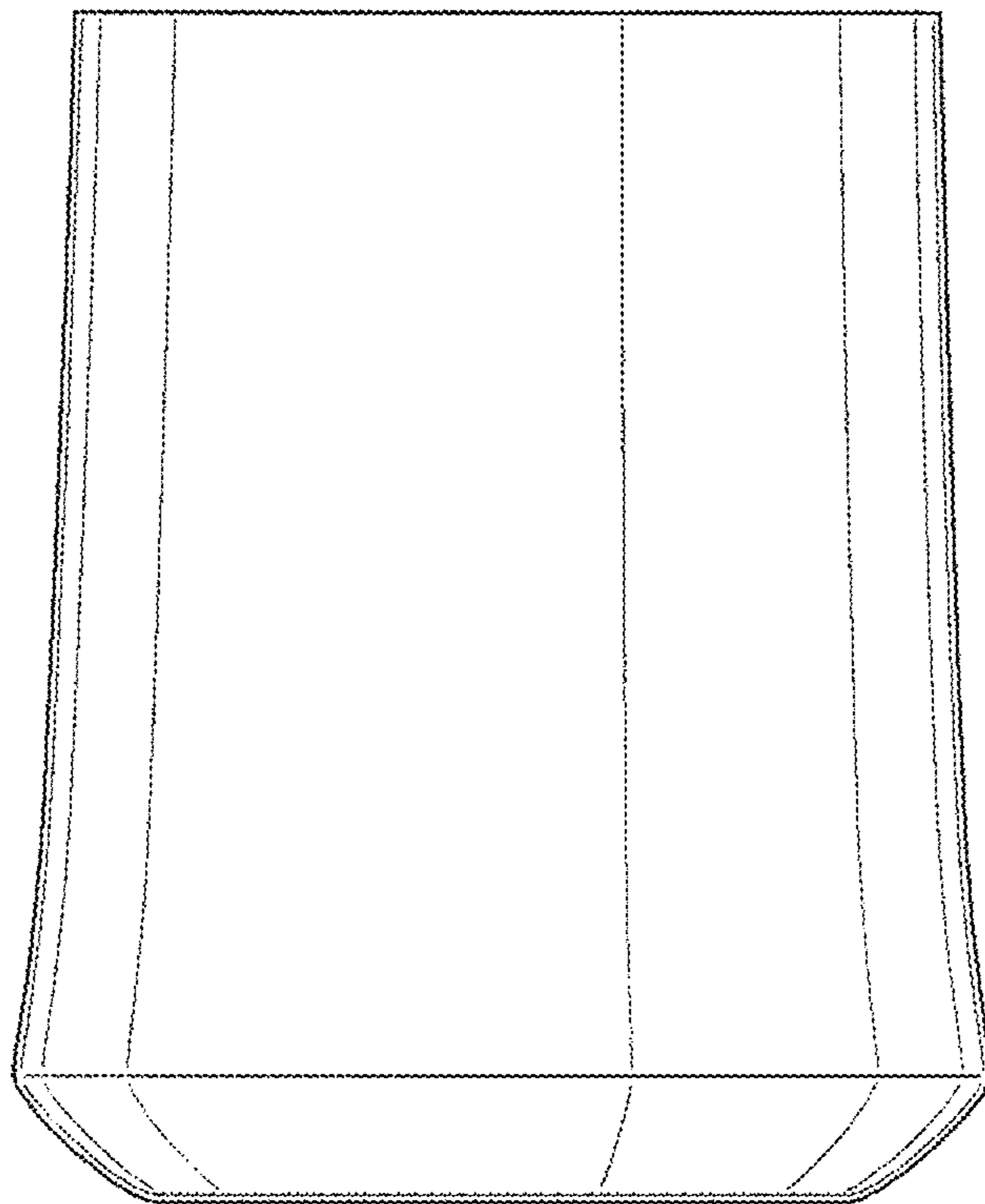


FIG. 4

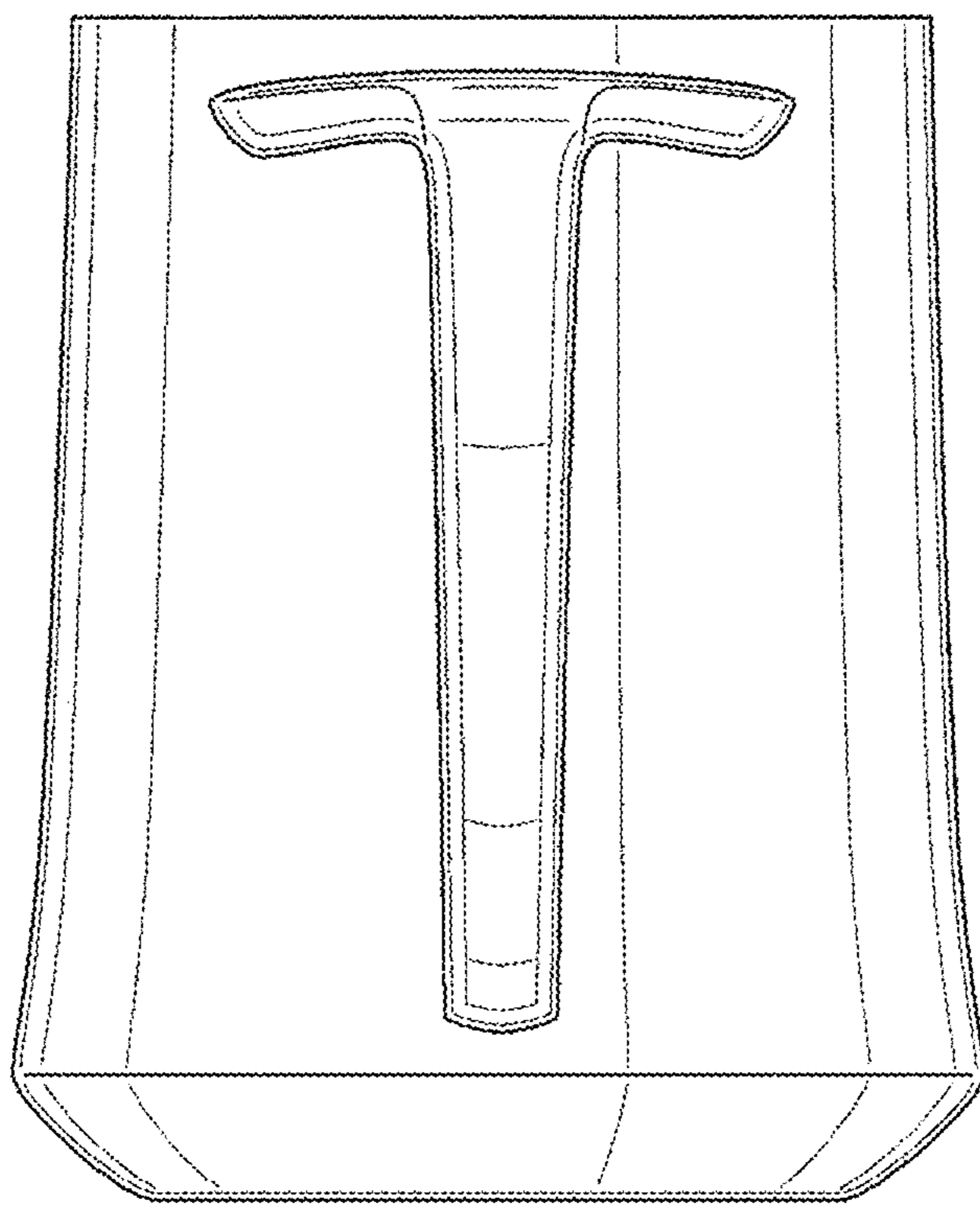


FIG. 5

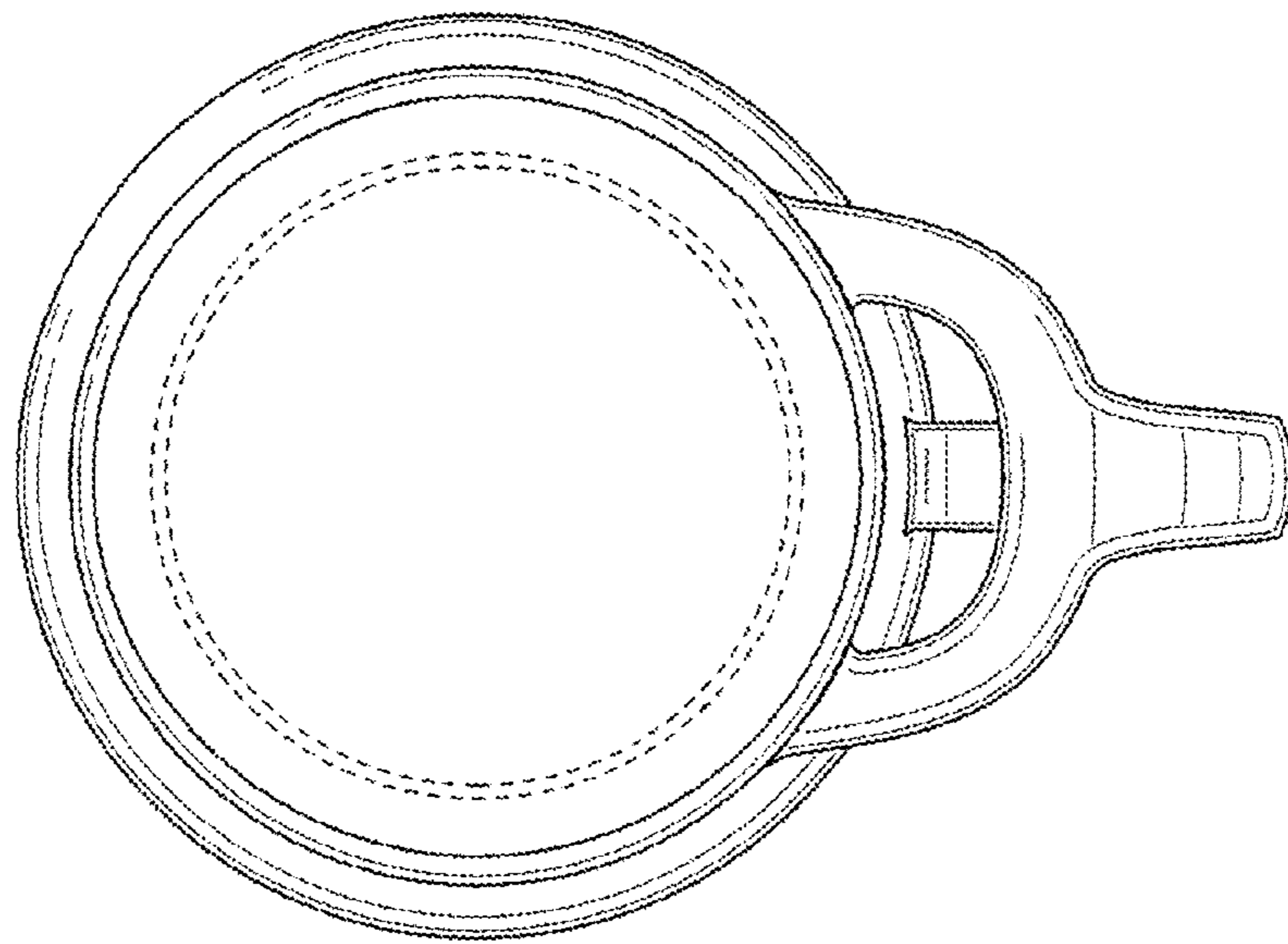


FIG. 6

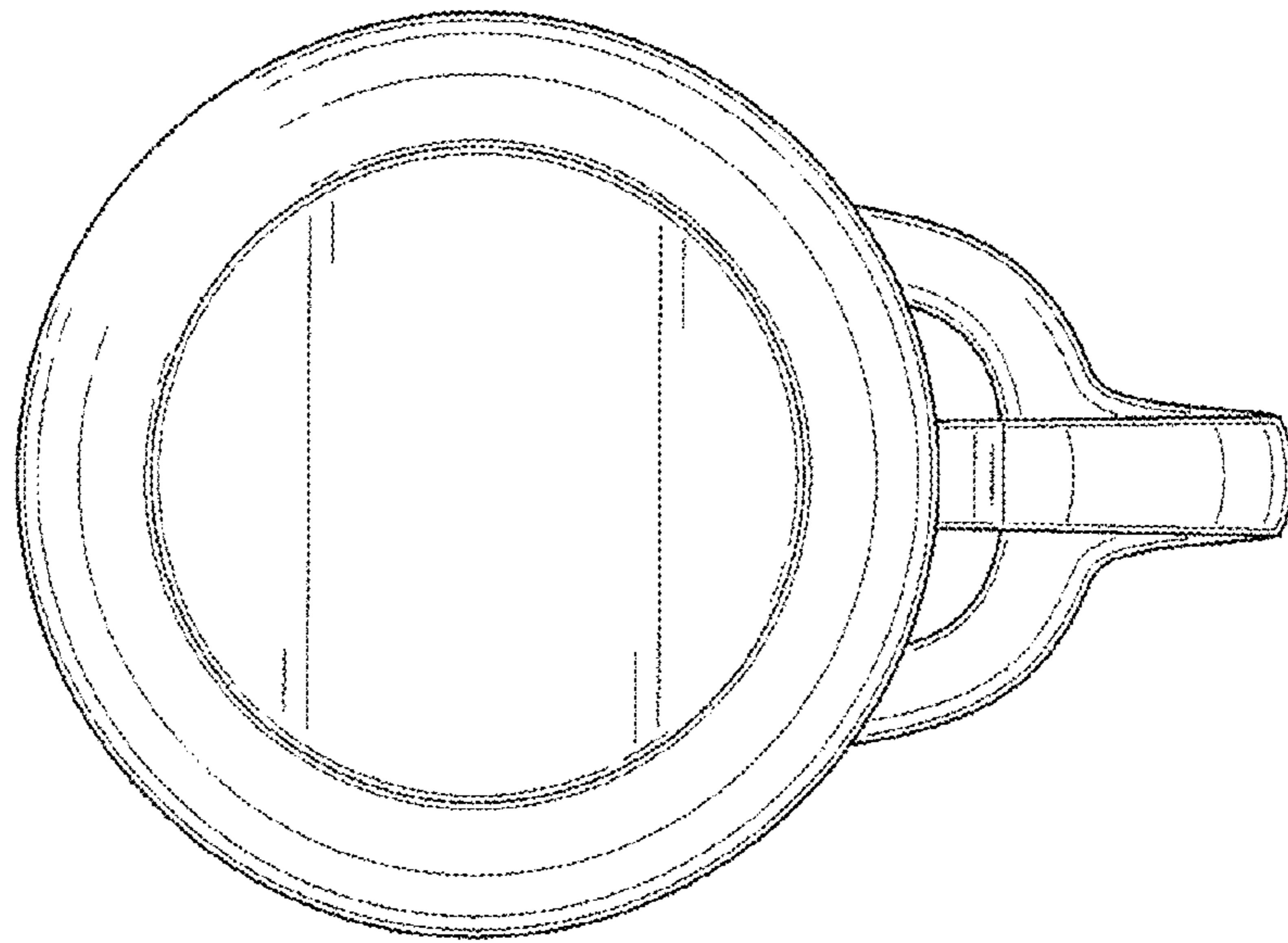


FIG. 7