

US00D761059S

(12) **United States Design Patent**
Fitchko et al.

(10) **Patent No.:** **US D761,059 S**
(45) **Date of Patent:** **** Jul. 12, 2016**

(54) **SPICE CUP**

(71) Applicant: **ACH FOOD COMPANIES, INC.**,
Cordova, TN (US)

(72) Inventors: **Aaron Frank Fitchko**, Huxley, IA (US);
Erica Hammack, Deerfield, IL (US);
Robert G. Larkin, Johnston, IA (US);
William H. Dickson, Covington, KY
(US); **Jillian Christine Hartke**,
Cincinnati, OH (US); **Michael J.**
Palmisano, Cincinnati, OH (US); **Steven**
Douglas Richardson, Cincinnati, OH
(US)

(**) Term: **14 Years**

(21) Appl. No.: **29/526,279**

(22) Filed: **May 7, 2015**

(51) **LOC (10) Cl.** **07-01**

(52) **U.S. Cl.**
USPC **D7/529; D7/589; D7/532; D7/316**

(58) **Field of Classification Search**
USPC D7/505-511, 523, 529, 530, 532, 543,
D7/550.1, 553.2, 554.3, 592, 396.2, 531,
D7/396.4, 512, 607, 513, 300, 589, 316;
D3/205, 202, 901, 210; D9/715, 719,
D9/721, 739, 517, 690, 682, 691, 748, 516,
D9/553, 775, 773, 429, 454, 448, 445, 440,
D9/435, 424, 425; D6/542, 534, 535, 512,
D6/513, 514, 515, 524, 527, 528, 530,
D6/531; 206/520, 217; 220/592.16,
220/592.17, 703; 215/400, 403; D28/9, 99,
D28/73; D19/95; D11/144, 153; D32/53.1
CPC ... A47G 19/22; A47G 19/2205; B65D 1/265;
B65D 3/06

See application file for complete search history.

(56) **References Cited**

U.S. PATENT DOCUMENTS

D151,431 S *	10/1948	Cooper et al.	D7/316
D214,392 S *	6/1969	Guiotta	D7/316
D328,492 S *	8/1992	Mathis	D10/46.2
D353,973 S *	1/1995	Adado	D7/510
D514,458 S *	2/2006	Lawson	D10/46.2
D522,887 S *	6/2006	Hutzler	D10/46.2
D553,435 S *	10/2007	de Groot	D7/300.1
D556,513 S *	12/2007	Yelland	D7/516
D593,367 S *	6/2009	Brooks	D7/509
D620,755 S *	8/2010	Haskell	D7/510
D624,361 S *	9/2010	Roth	D7/509
D661,947 S *	6/2012	Conti	D7/376

* cited by examiner

Primary Examiner — Marianne Pandozzi

Assistant Examiner — Jae Liang

(74) *Attorney, Agent, or Firm* — Frost Brown Todd LLC

(57) **CLAIM**

The ornamental design for a spice cup, as shown and described.

DESCRIPTION

FIG. 1 is a perspective view of a spice cup showing our new design;

FIG. 2 is a front elevational view thereof;

FIG. 3 is a rear elevational view thereof;

FIG. 4 is a right side elevational view thereof;

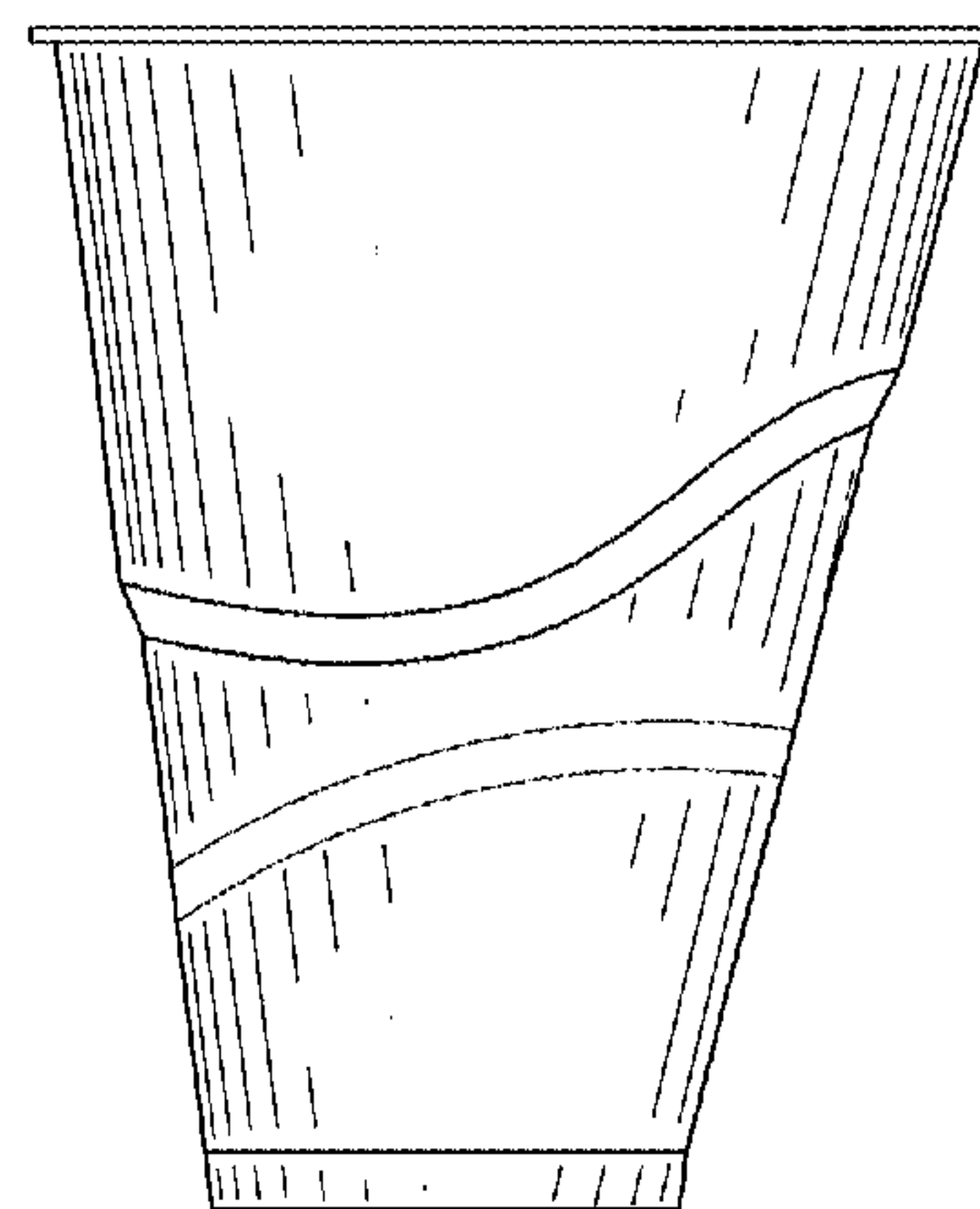
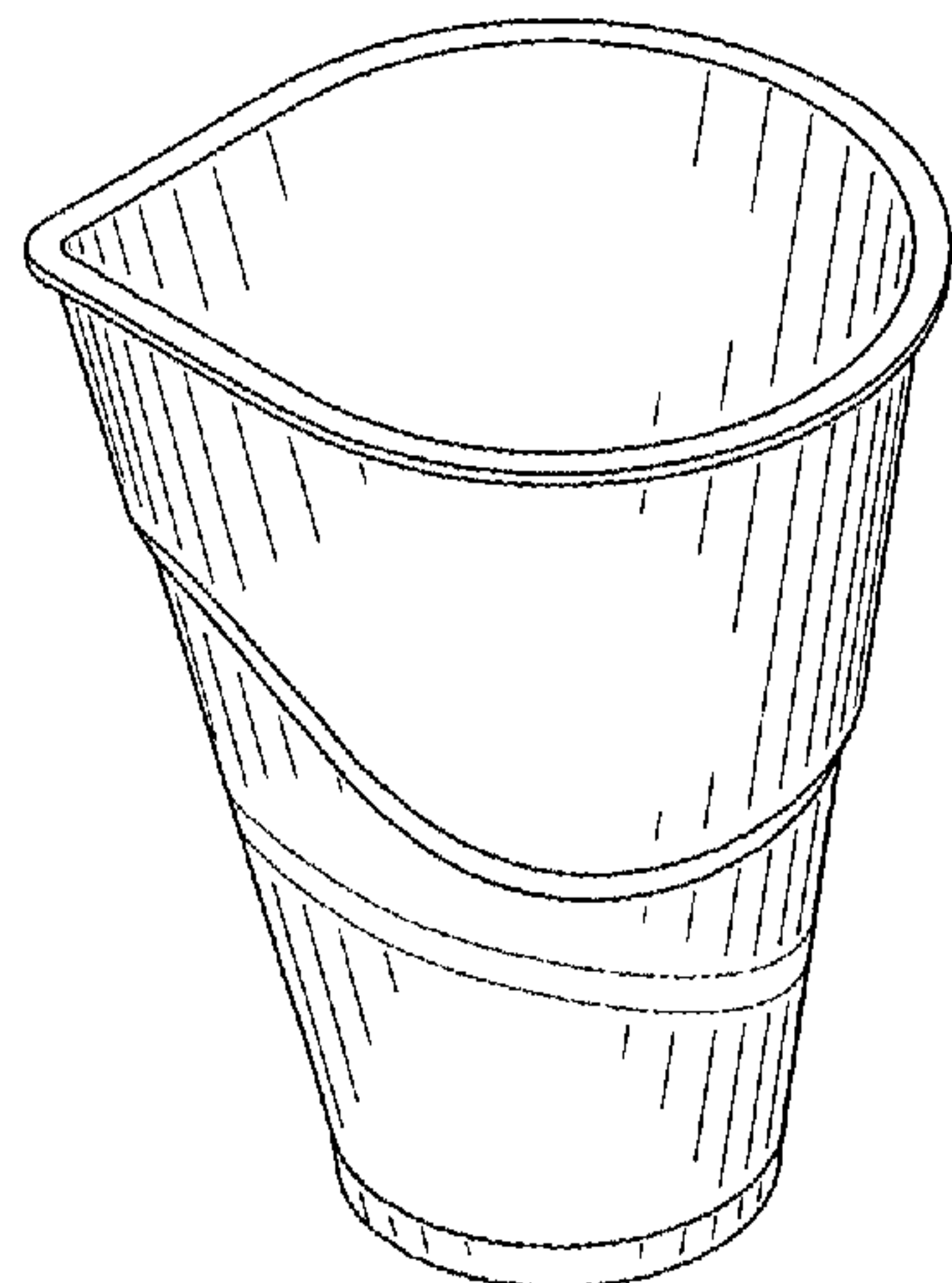
FIG. 5 is a left side elevational view thereof;

FIG. 6 is a top elevational view thereof; and,

FIG. 7 is a bottom elevational view thereof.

The claimed device is used as a receptacle for holding mixtures of spices, seasonings, and/or oil.

1 Claim, 3 Drawing Sheets



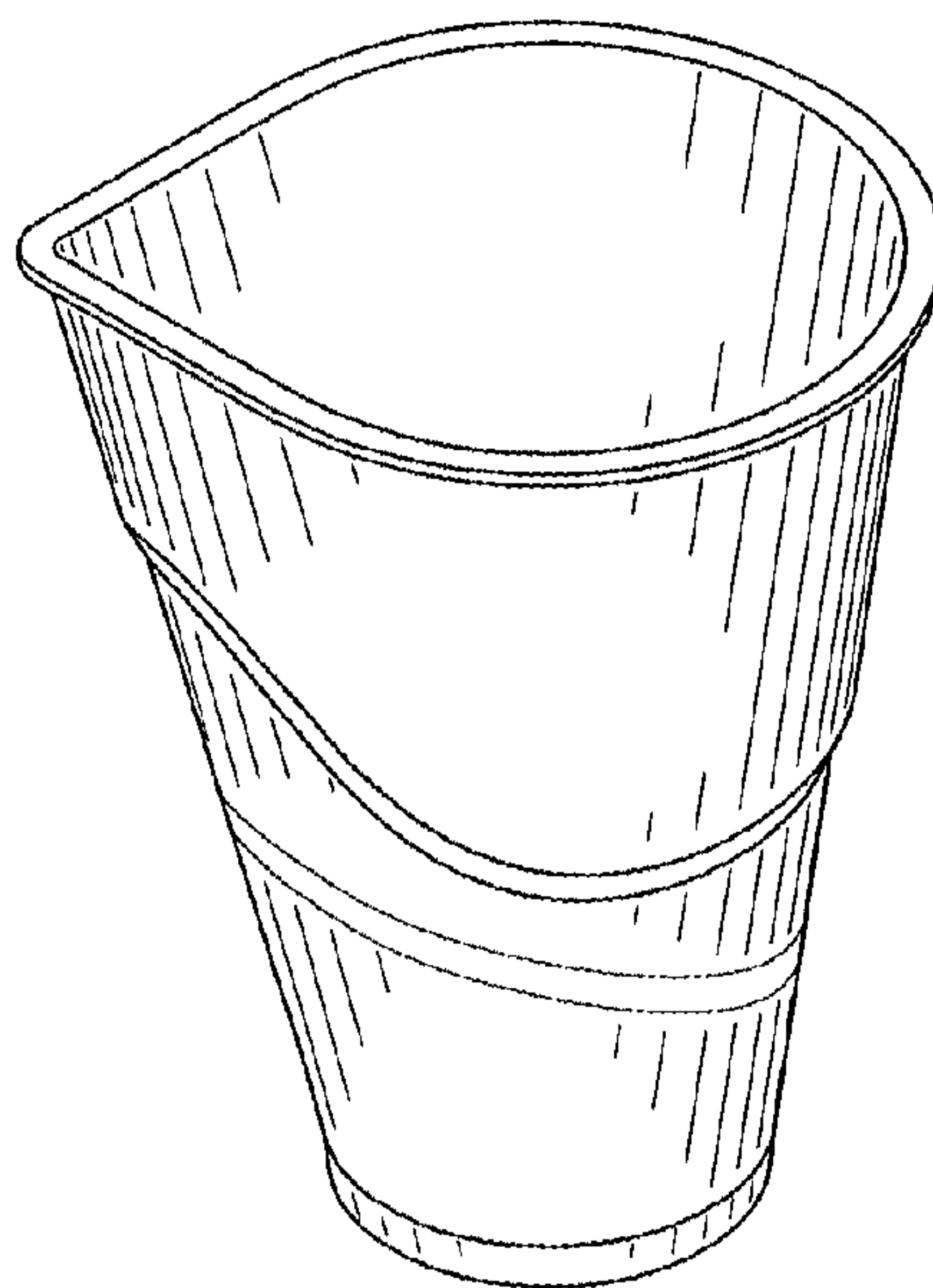


FIG. 1

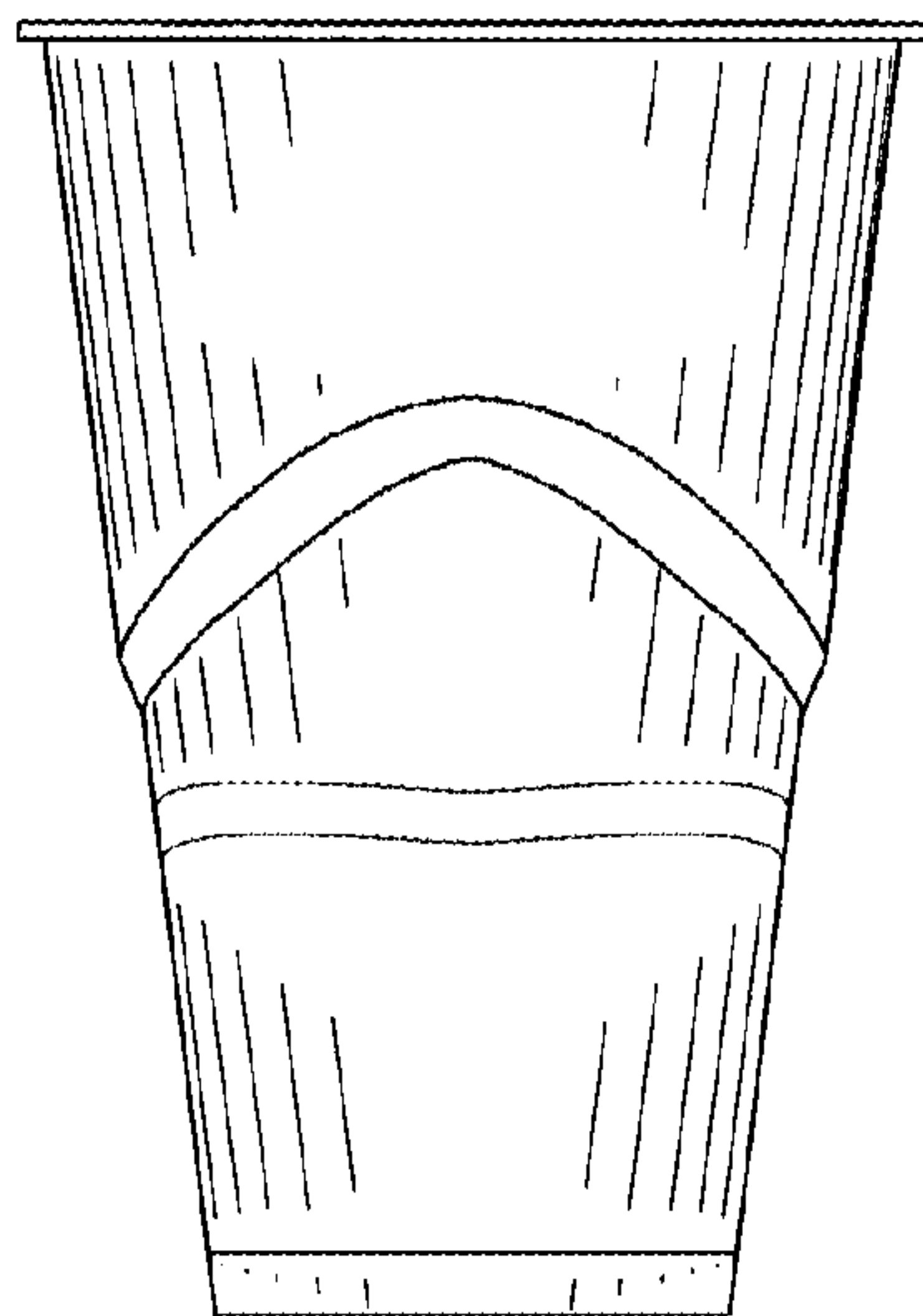


FIG. 2

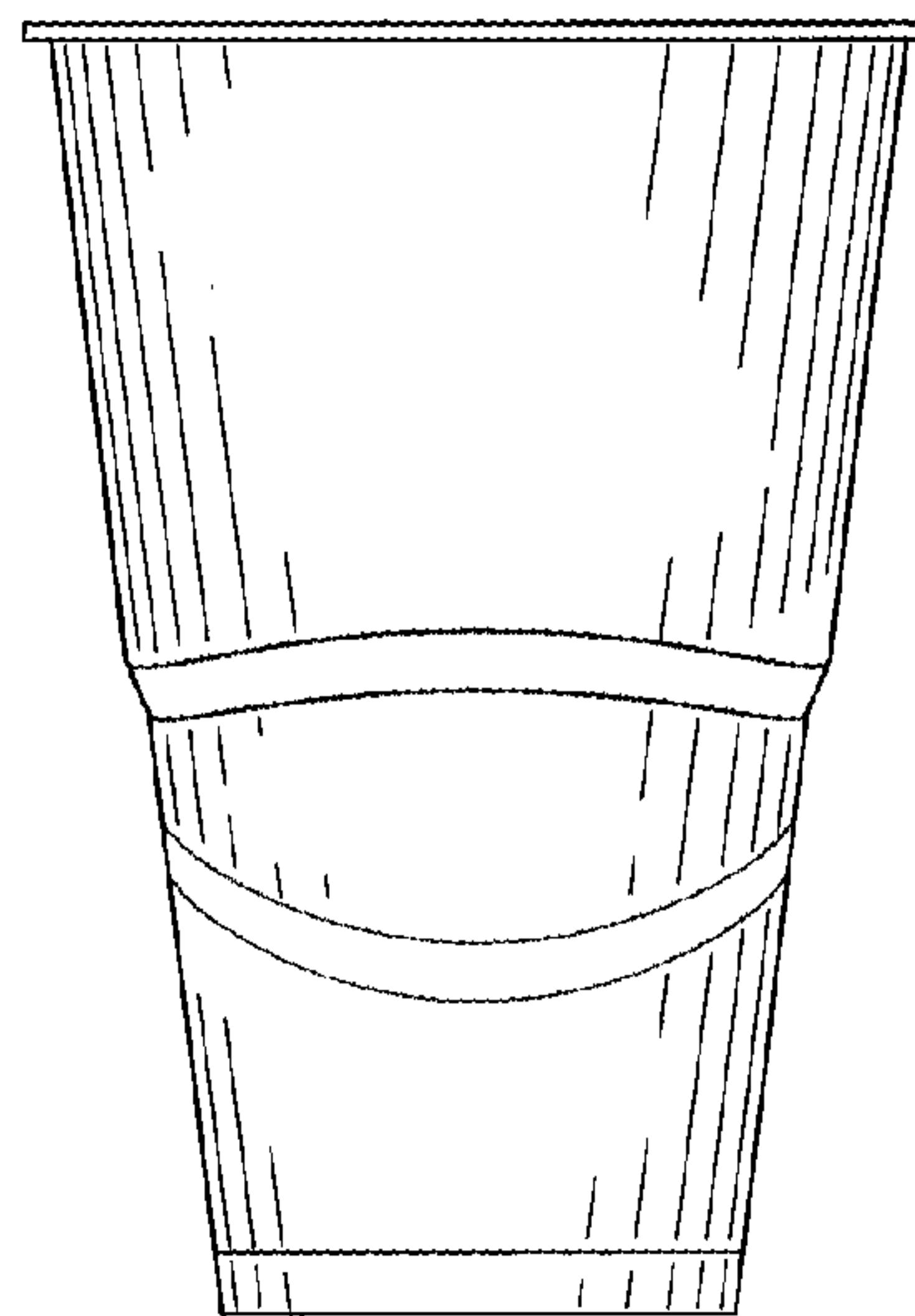


FIG. 3

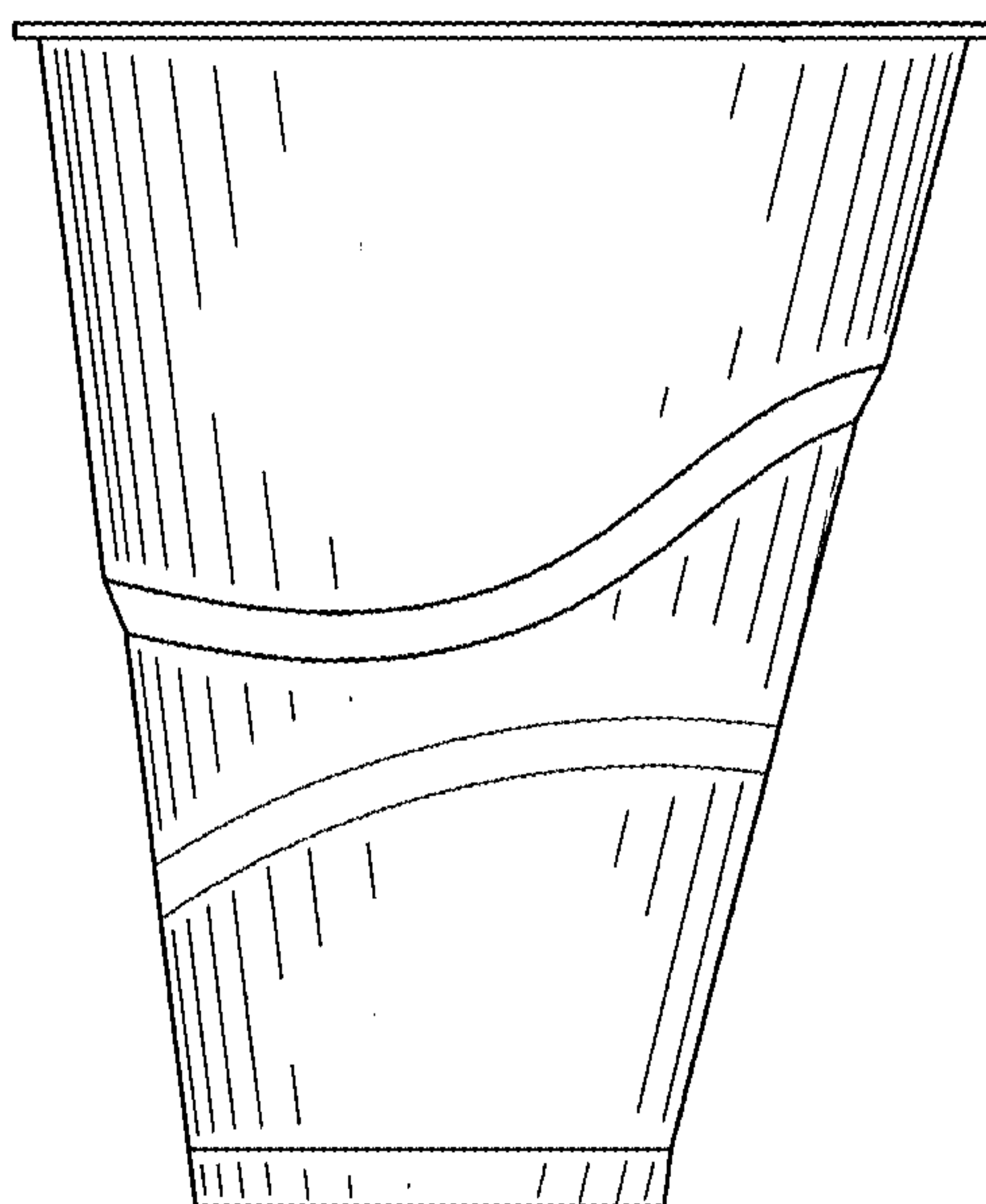


FIG. 4

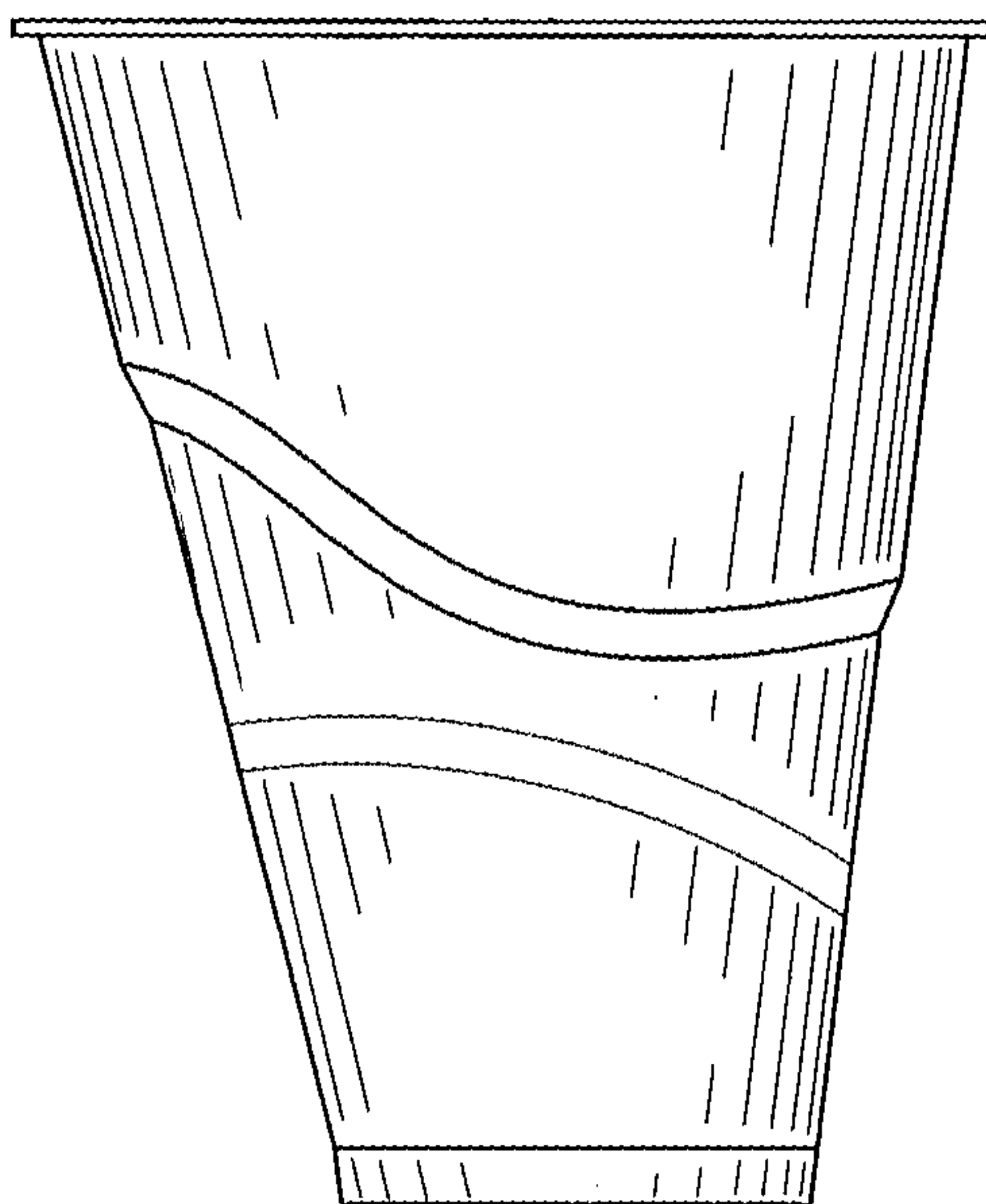


FIG. 5

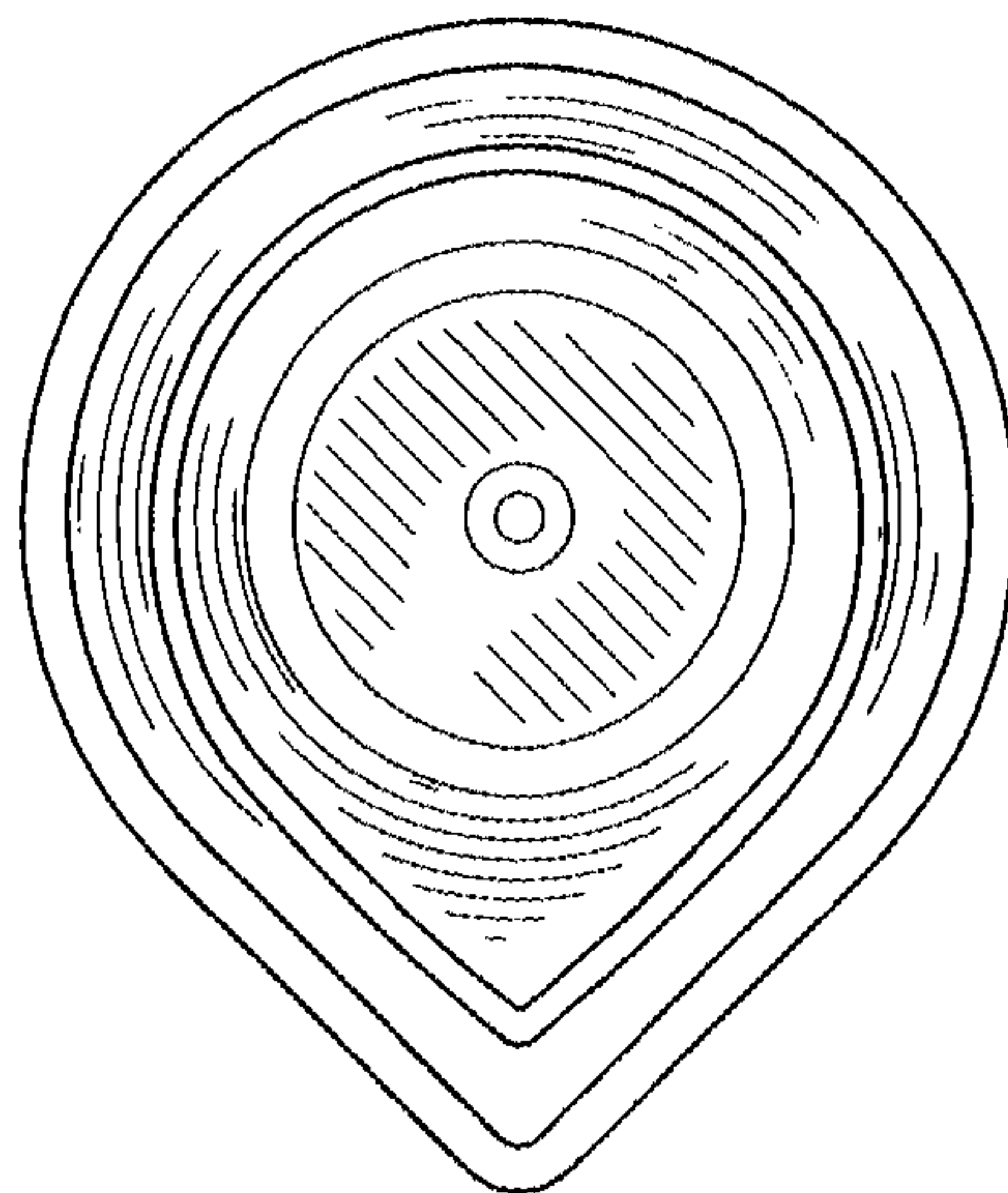


FIG. 6

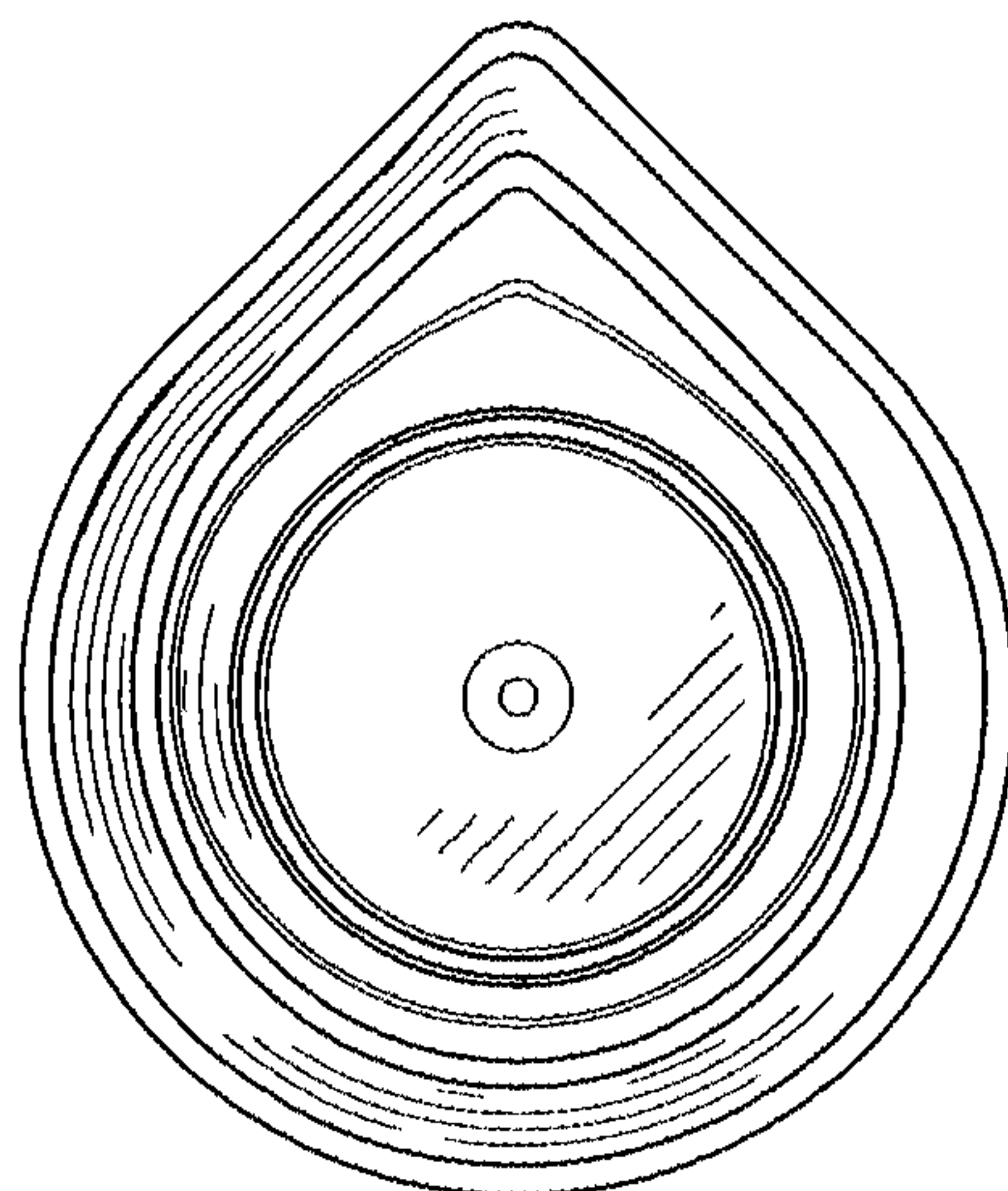


FIG. 7