

US00D761058S

(12) **United States Design Patent**  
**Ou**

(10) **Patent No.:** **US D761,058 S**  
(45) **Date of Patent:** **\*\* Jul. 12, 2016**

(54) **TRAVEL MUG**  
(71) Applicant: **WuYi XinTian Hardware Products Co., Ltd., ZheJiang (CN)**  
(72) Inventor: **Yu Xin Ou, Jinhua (CN)**  
(73) Assignee: **WUYI XINTIAN HARDWARE PRODUCTS CO., LTD., Zhejiang (CN)**  
(\*\*) Term: **15 Years**

D523,692 S 6/2006 Meehan  
D528,862 S 9/2006 Li  
D529,339 S \* 10/2006 Carreno ..... D7/511  
D533,061 S \* 12/2006 Li ..... D9/443  
D538,110 S 3/2007 Kitamura et al.  
D539,607 S 4/2007 Lapsker  
D540,119 S 4/2007 Lapsker  
D548,008 S 8/2007 Lin  
D560,435 S 1/2008 Meehan  
D564,841 S 3/2008 Clemens et al.  
D572,531 S 7/2008 Romandy et al.  
D588,411 S \* 3/2009 Watanabe ..... D7/507  
D590,661 S \* 4/2009 Kitamura ..... D7/510  
D596,460 S 7/2009 Nezu

(21) Appl. No.: **29/530,240**

(Continued)

(22) Filed: **Jun. 15, 2015**

FOREIGN PATENT DOCUMENTS

(51) **LOC (10) Cl.** ..... **07-01**

JP 1116271 S 7/2011

(52) **U.S. Cl.**

*Primary Examiner* — Marianne Pandozzi

USPC ..... **D7/510; D7/511; D7/608**

*Assistant Examiner* — Jae Liang

(58) **Field of Classification Search**

USPC ..... D7/507, 509, 510, 511, 523, 529, 530, D7/531, 532, 533, 536, 607, 608, 391, D7/392.1, 396.1, 396.2, 560, 629; D24/197; D9/435, 436, 440, 443, 445, D9/447, 448, 454, 449, 450, 516, 517, 530, D9/551, 552, 564, 565, 500, 503, 537, 550, D9/553, 563, 504, 566; 215/381, 382, 383, 215/384, 396, 398, 400; 222/211, 212, 213; 220/771

(74) *Attorney, Agent, or Firm* — Polson Intellectual Property Law, PC; Margaret Polson

CPC .... A45F 3/16; B65D 47/066; B65D 41/0414; B65D 43/02; B65D 47/08; B65D 51/18; B65D 41/62; A47G 19/2266

(57) **CLAIM**

The ornamental design for a travel mug, as shown and described.

See application file for complete search history.

**DESCRIPTION**

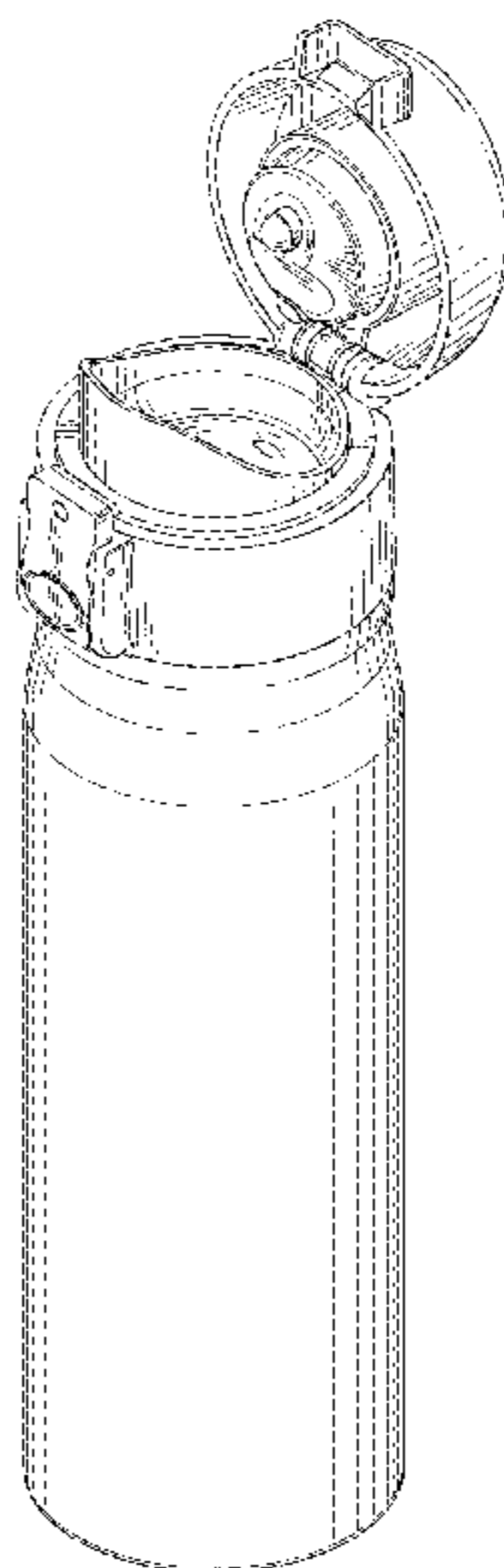
FIG. 1 is a top side perspective view of a travel mug in its open position showing my new design;  
FIG. 2 is a bottom perspective view thereof;  
FIG. 3 is a front view thereof;  
FIG. 4 is a rear view thereof;  
FIG. 5 is a left side view thereof; the right side view being a mirror image;  
FIG. 6 is a top view thereof;  
FIG. 7 is a bottom view thereof;  
FIG. 8 is a front view of the travel mug in its closed position; and,  
FIG. 9 is a side view thereof.

(56) **References Cited**

U.S. PATENT DOCUMENTS

D451,023 S \* 11/2001 Kitamura ..... D9/449  
D455,611 S \* 4/2002 Kitamura ..... D7/608  
D485,132 S \* 1/2004 Ohno ..... D7/608  
D499,336 S \* 12/2004 Flecheux ..... D9/500  
D505,831 S 6/2005 Liu  
D508,209 S \* 8/2005 Lamb ..... D9/504

**1 Claim, 6 Drawing Sheets**



(56)

References Cited

U.S. PATENT DOCUMENTS

D604,640 S *	11/2009	Renz	.....	D9/500	D725,966 S *	4/2015	Boroski	.....	D7/511
D605,517 S *	12/2009	Caldwell	.....	D9/500	D743,742 S *	11/2015	Rummel	.....	D7/511
RE42,484 E *	6/2011	Kitamura	.....	D7/510	D744,290 S *	12/2015	Endo	.....	D7/608
D655,580 S *	3/2012	Kotani	.....	D7/608	D744,781 S *	12/2015	Rummel	.....	D7/511
D655,581 S *	3/2012	Kotani	.....	D7/608	D748,949 S *	2/2016	Long, Sr.	.....	D7/510
D668,503 S *	10/2012	Kotani	.....	D7/392.1	2011/0309078 A1 *	12/2011	Rathbone	.....	A23G 3/563
D686,040 S *	7/2013	Lane	.....	D7/510					220/254.3
D690,558 S *	10/2013	Lane	.....	D7/510	2014/0175098 A1 *	6/2014	Lane	.....	A45F 3/16
D695,069 S *	12/2013	Lane	.....	D7/510					220/212.5
D702,505 S *	4/2014	Nakatani	.....	D7/605	2015/0201774 A1 *	7/2015	Sorensen	.....	A47G 19/2272
D720,574 S *	1/2015	Boroski	.....	D7/510					220/715
					2015/0282654 A1 *	10/2015	Kurabe	.....	A47G 19/2272
									220/254.5

\* cited by examiner

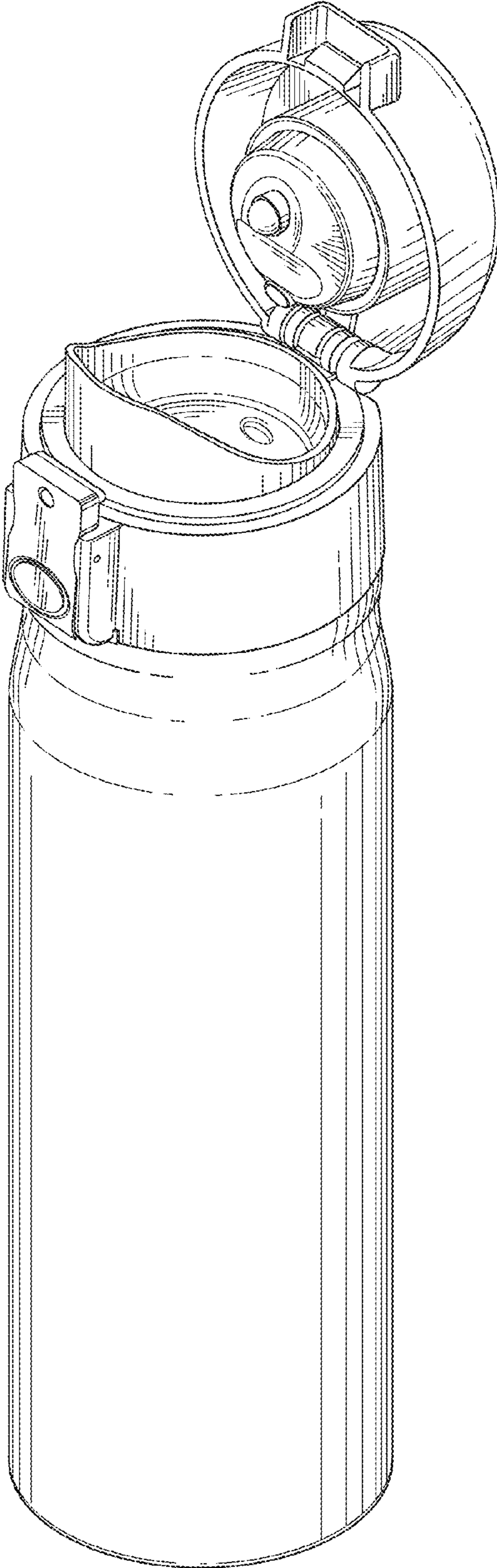


FIG.1

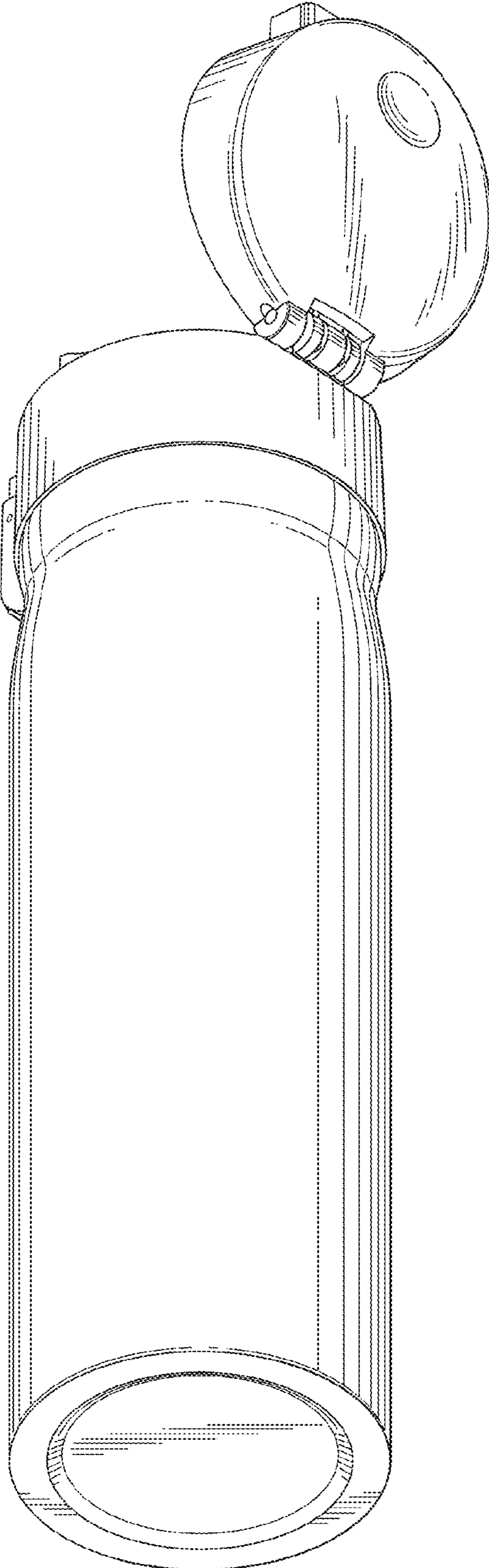


FIG.2

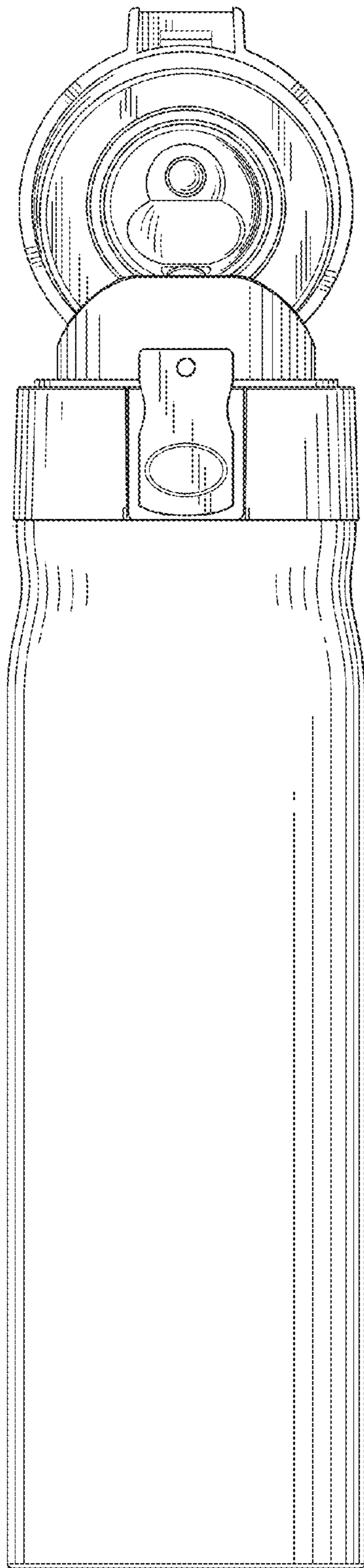


FIG.3

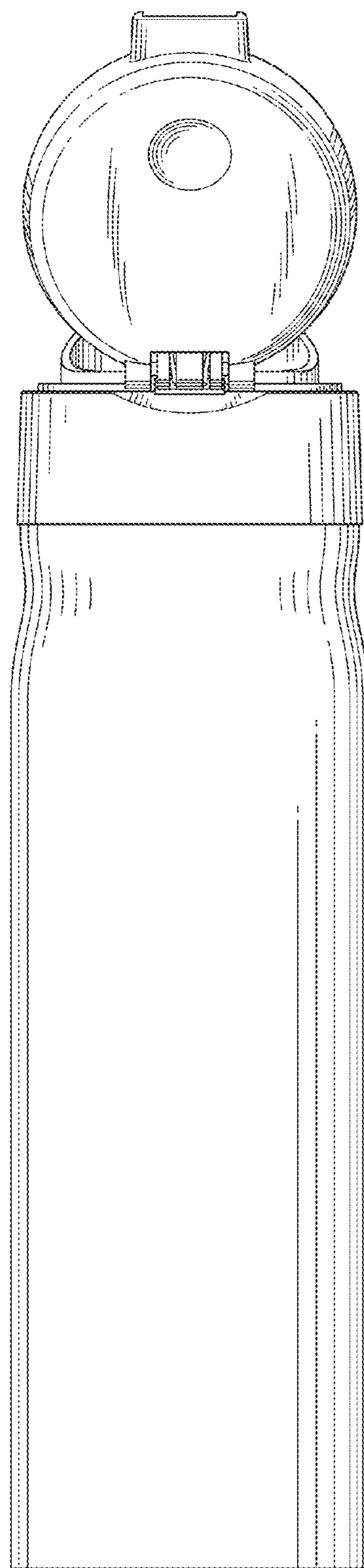


FIG.4

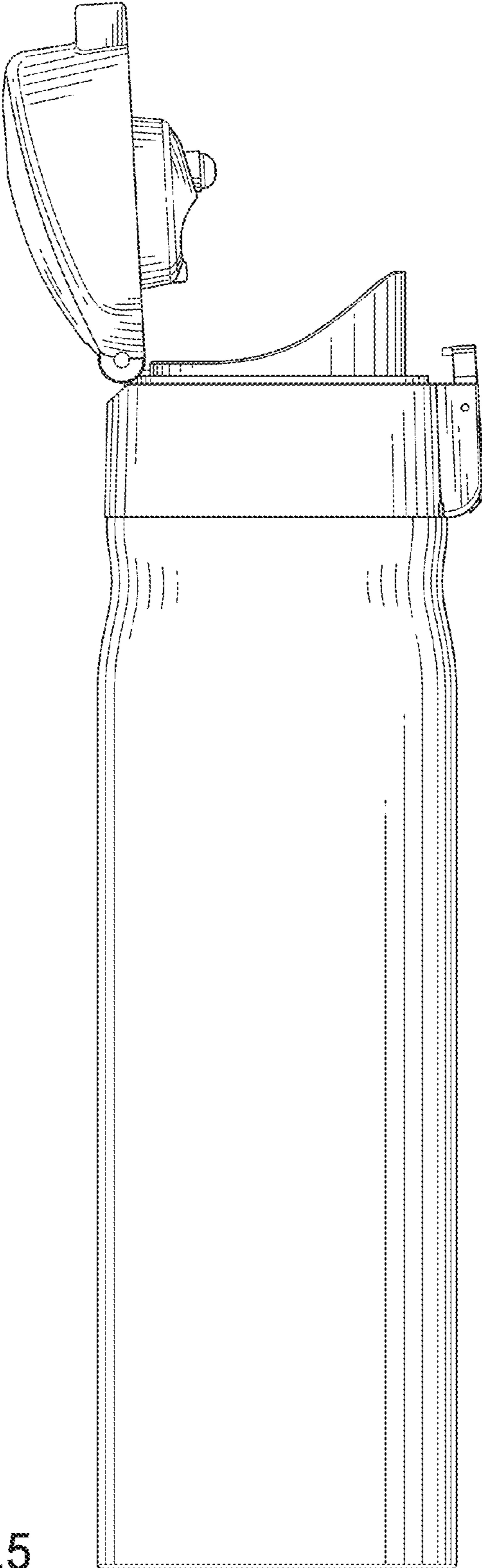


FIG. 5

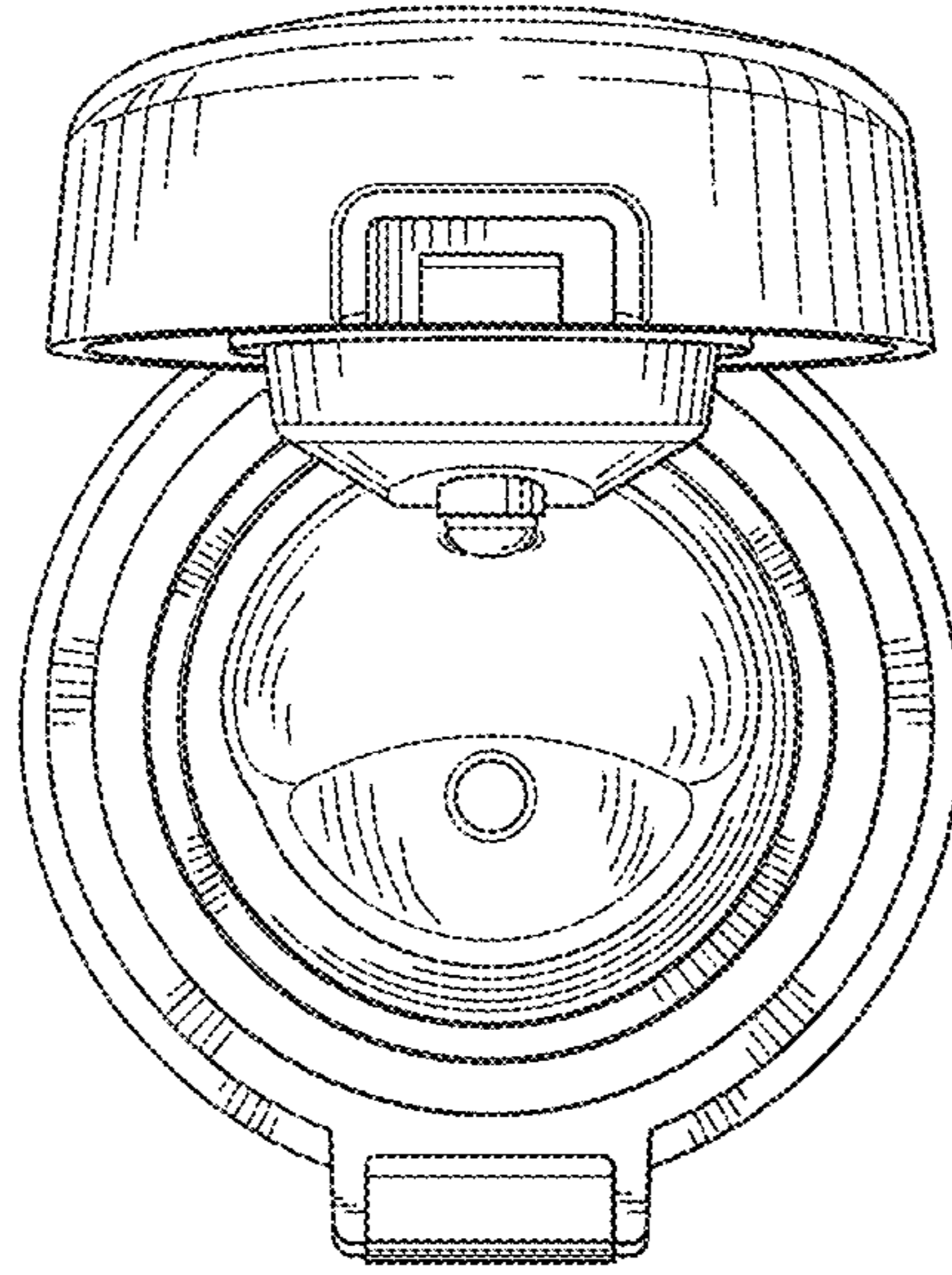


FIG. 6

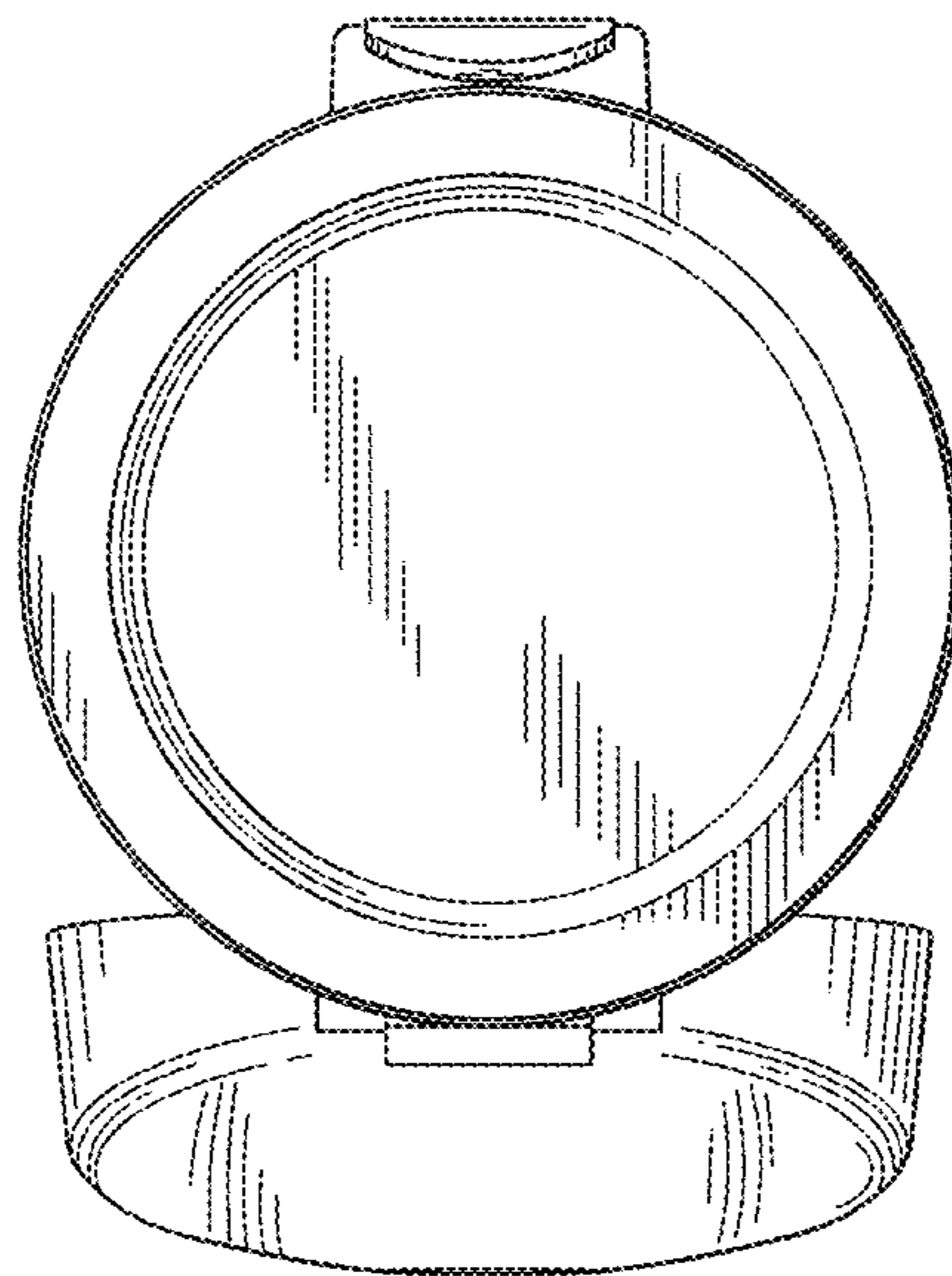


FIG. 7

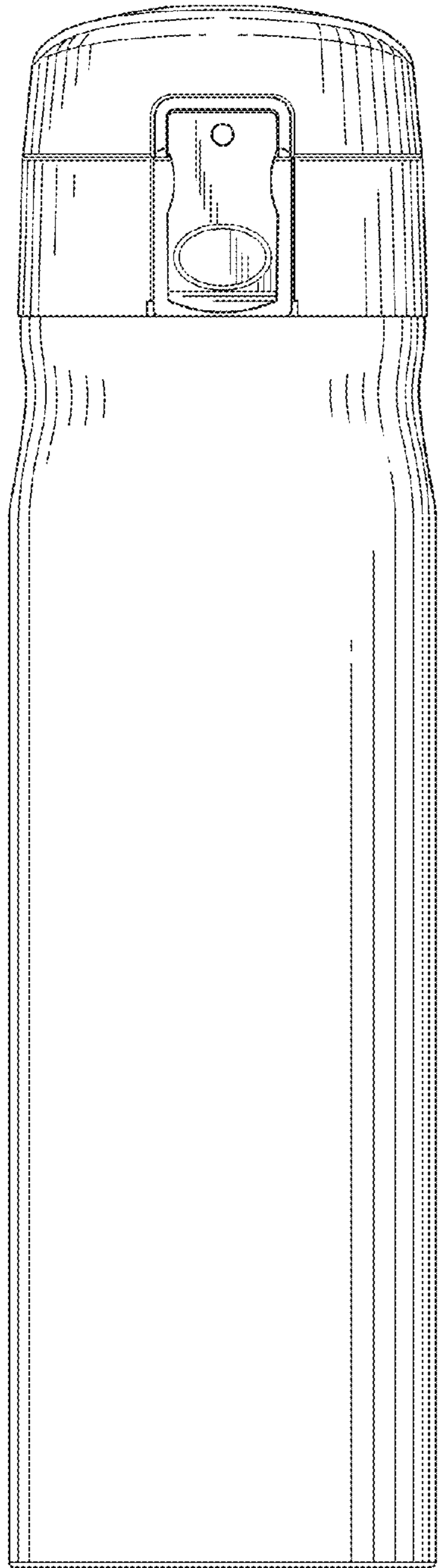


FIG. 8

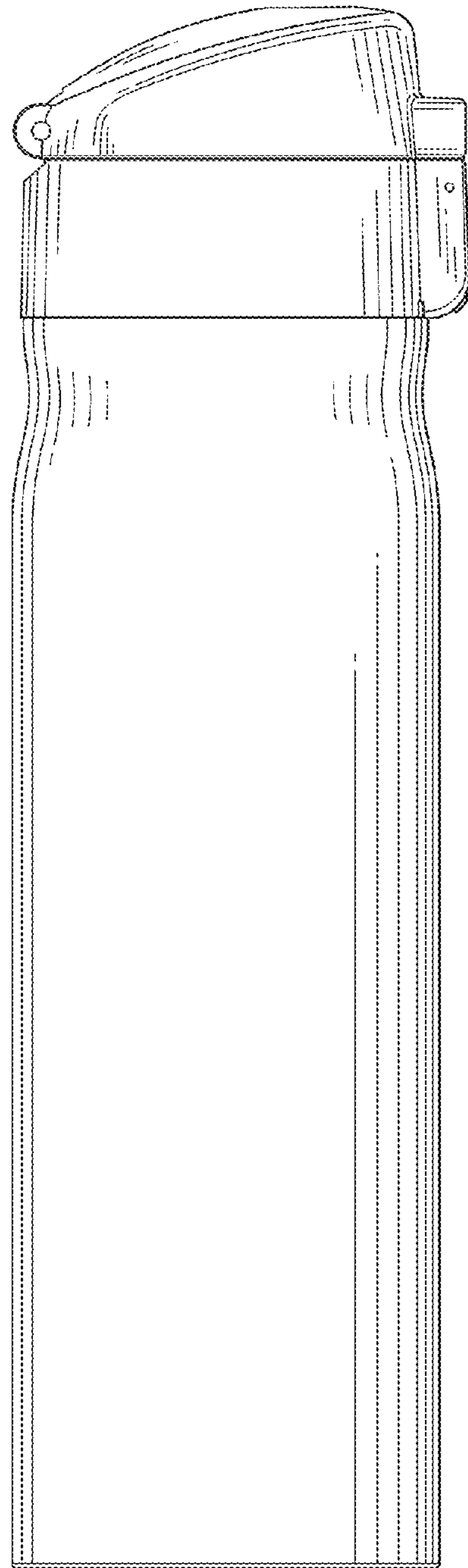


FIG. 9