

US00D761057S

(12) **United States Design Patent**
McClendon, Jr.

(10) **Patent No.:** **US D761,057 S**
(45) **Date of Patent:** **** Jul. 12, 2016**

(54) **COCKTAIL GLASS**
(71) Applicant: **Zach McClendon, Jr.**, Monticello, AR (US)
(72) Inventor: **Zach McClendon, Jr.**, Monticello, AR (US)
(**) Term: **14 Years**
(21) Appl. No.: **29/514,438**
(22) Filed: **Jan. 13, 2015**
(51) **LOC (10) Cl.** **07-01**
(52) **U.S. Cl.**
USPC **D7/507; D7/514; D7/515; D7/300.2**
(58) **Field of Classification Search**
USPC **D7/507, 509, 510, 511, 512, 514, 515, D7/505, 523, 524, 525, 526, 527, 528, 529, D7/530, 531, 532, 537, 300.2, 598, 213, D7/392.1, 396.1, 518, 519, 522; D21/310, D21/325, 300, 312, 322, 323; D28/24, 25, D28/65, 67; D11/143, 144, 153; 220/703, 220/705, 710; 239/24, 33; D9/436, 440, D9/447**
CPC **A47G 19/22; A47G 19/2205; A47G 19/2211; A47G 19/2216; A47G 19/2222; A47G 19/2227; B65D 1/265; B65D 47/066**
See application file for complete search history.

5,568,973 A * 10/1996 Gorab A47G 19/2233 366/129
6,308,718 B1 * 10/2001 Pearson A61C 15/02 132/329
D522,367 S * 6/2006 Bakic D9/504
D563,720 S * 3/2008 Dai D7/387
D611,301 S * 3/2010 Amano D7/509
D638,244 S * 5/2011 Wallace D7/300.2
D676,269 S * 2/2013 Saprissa D7/300.2
D680,812 S * 4/2013 Justus D7/510
D683,184 S * 5/2013 Lin D7/316
D723,862 S * 3/2015 Landrum D7/213
9,173,514 B2 * 11/2015 Takumah A47G 21/18
2005/0139603 A1 * 6/2005 Lee A47G 21/18 220/705
2006/0201955 A1 * 9/2006 Stribling A45F 3/16 220/705
2008/0237080 A1 * 10/2008 Andrews A47G 19/2205 206/527
2009/0256000 A1 * 10/2009 Wallace A47G 21/18 239/33
2012/0091142 A1 * 4/2012 Jamison A47G 19/2222 220/371

(Continued)

OTHER PUBLICATIONS

<http://www.drinkstuff.com/products/product.asp?ID=5801> Drink Stuff May 2011.*

(Continued)

Primary Examiner — Marianne Pandozzi
Assistant Examiner — Jae Liang
(74) *Attorney, Agent, or Firm* — Stephen D. Carver

(57) **CLAIM**
The ornamental design for a cocktail glass, as shown.

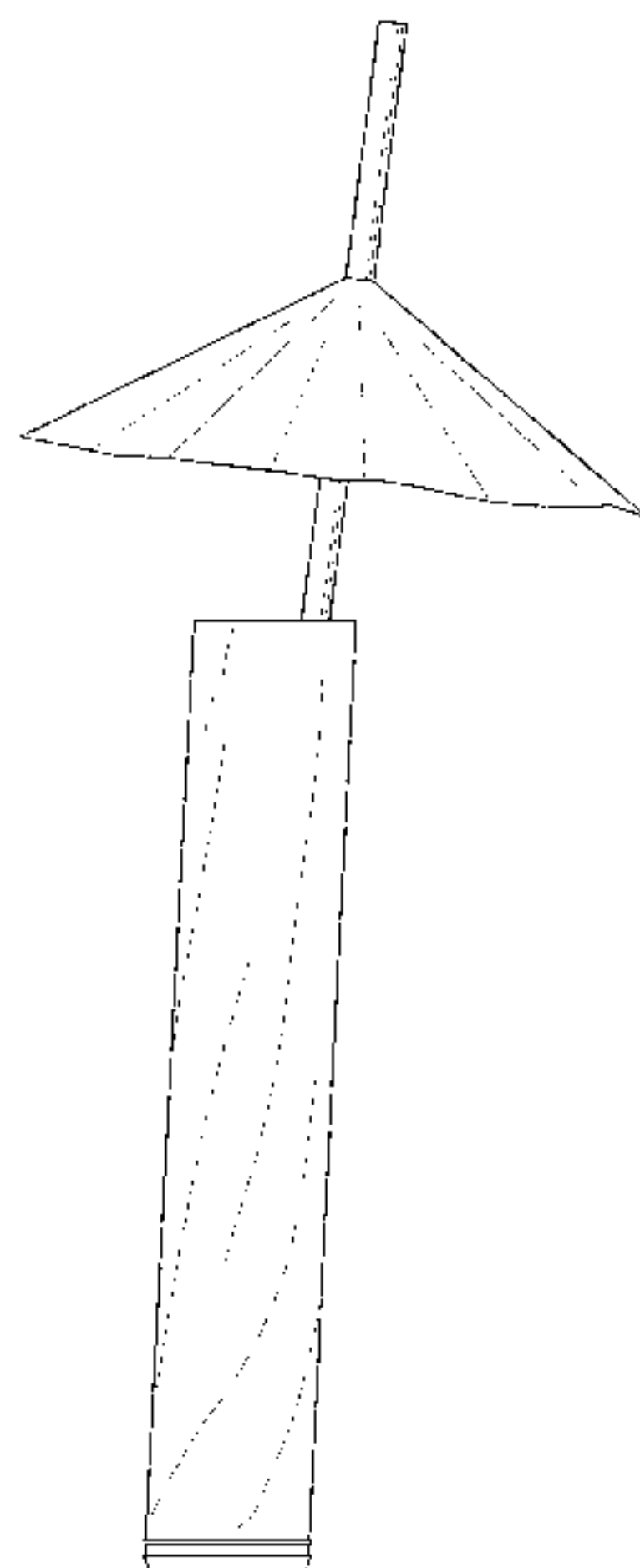
DESCRIPTION

FIG. 1 is a top front perspective view of a cocktail glass showing my new design;
FIG. 2 is a bottom rear perspective view thereof;
FIG. 3 is a front elevational view thereof;
FIG. 4 is a rear elevational view thereof;
FIG. 5 is a right side elevational view thereof;
FIG. 6 is a left side elevational view thereof;
FIG. 7 is a top plan view thereof; and,
FIG. 8 is a bottom plan view thereof.

1 Claim, 7 Drawing Sheets

(56) **References Cited**
U.S. PATENT DOCUMENTS

2,531,855 A * 11/1950 Lopton A47G 21/18 138/111
3,023,587 A * 3/1962 Robbins F25D 5/02 126/263.07
3,718,282 A * 2/1973 Pizzoferrato A47G 21/183 239/33
D279,250 S * 6/1985 Holloway D7/300.2
D305,193 S * 12/1989 Sajadieh D7/509
D346,763 S * 5/1994 Smith D11/144
5,395,322 A * 3/1995 Moser A47G 21/185 215/11.1
D365,499 S * 12/1995 Welker D7/509
5,477,978 A * 12/1995 Lo B65D 77/283 206/217



(56)

References Cited

U.S. PATENT DOCUMENTS

2012/0325835 A1* 12/2012 Merino A47G 19/2211
220/705
2014/0284343 A1* 9/2014 Allen A47G 19/2222
220/710

OTHER PUBLICATIONS

<https://web.archive.org/web/20121020090856/http://www.colourbox.com/vector/yellow-cocktail-glass-with-straw-and-umbrella-vector-4368076> Oct. 20, 2012 Colourbox stock image.*

* cited by examiner

FIG. 1

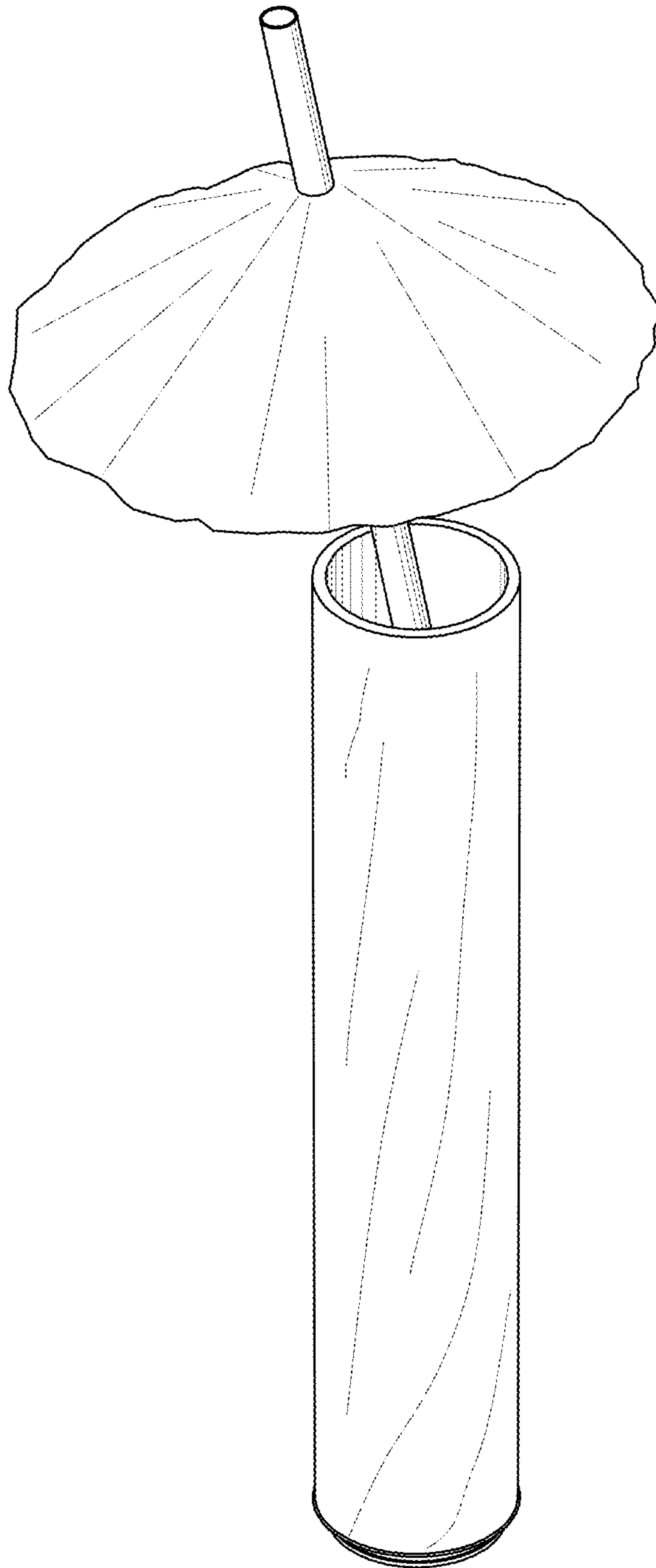


FIG. 2

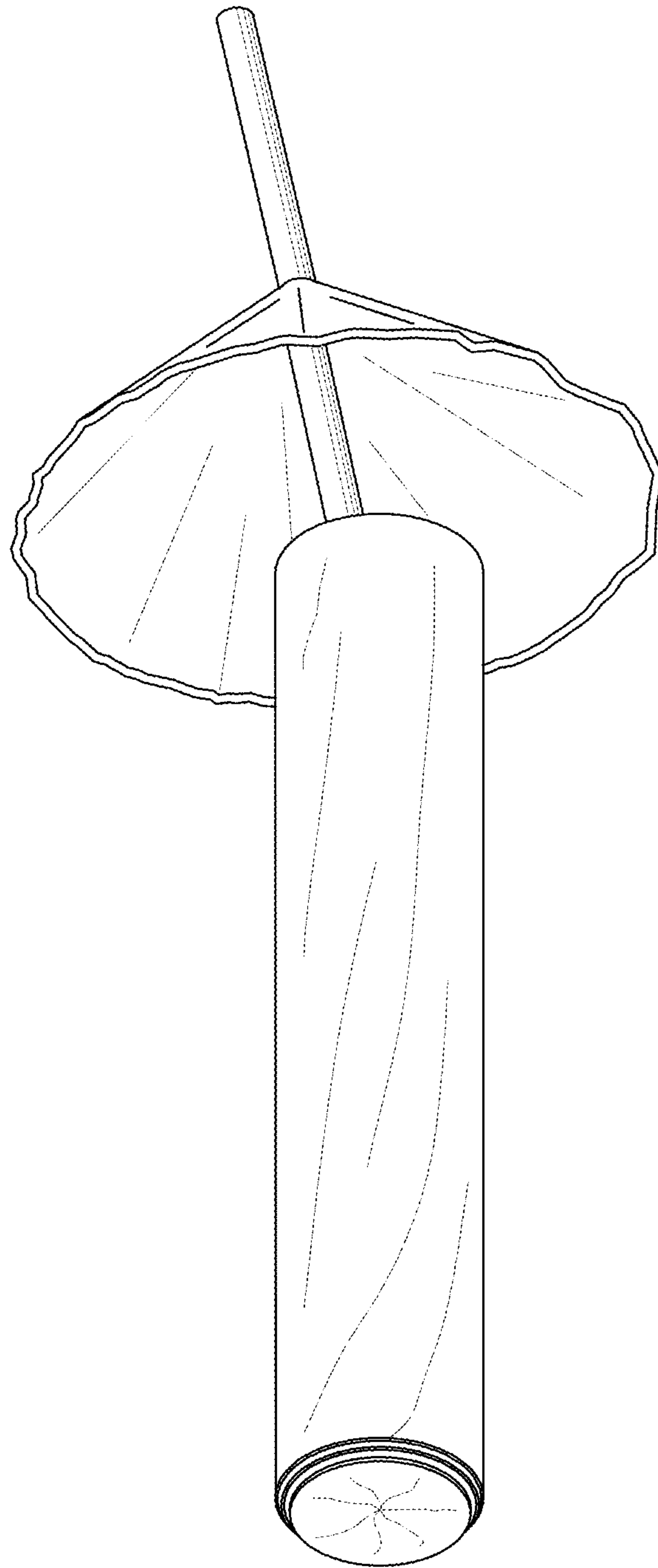


FIG. 3

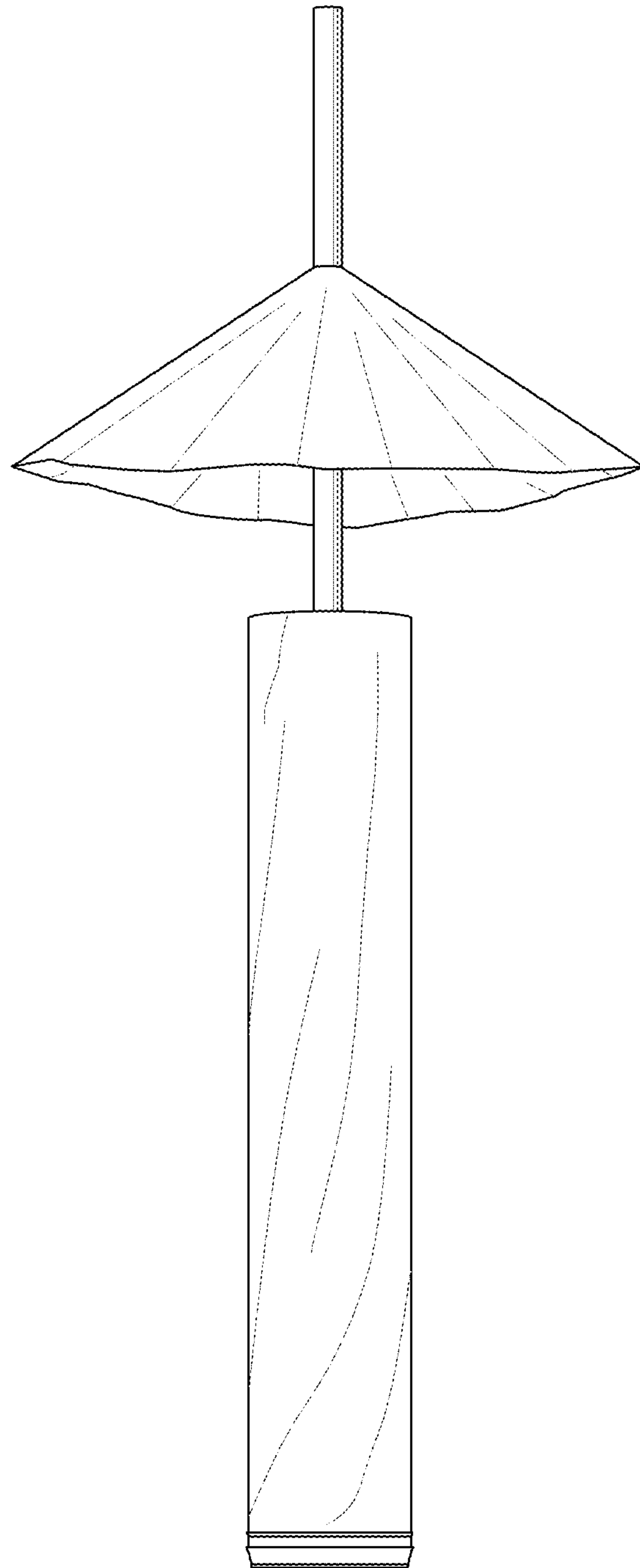


FIG. 4

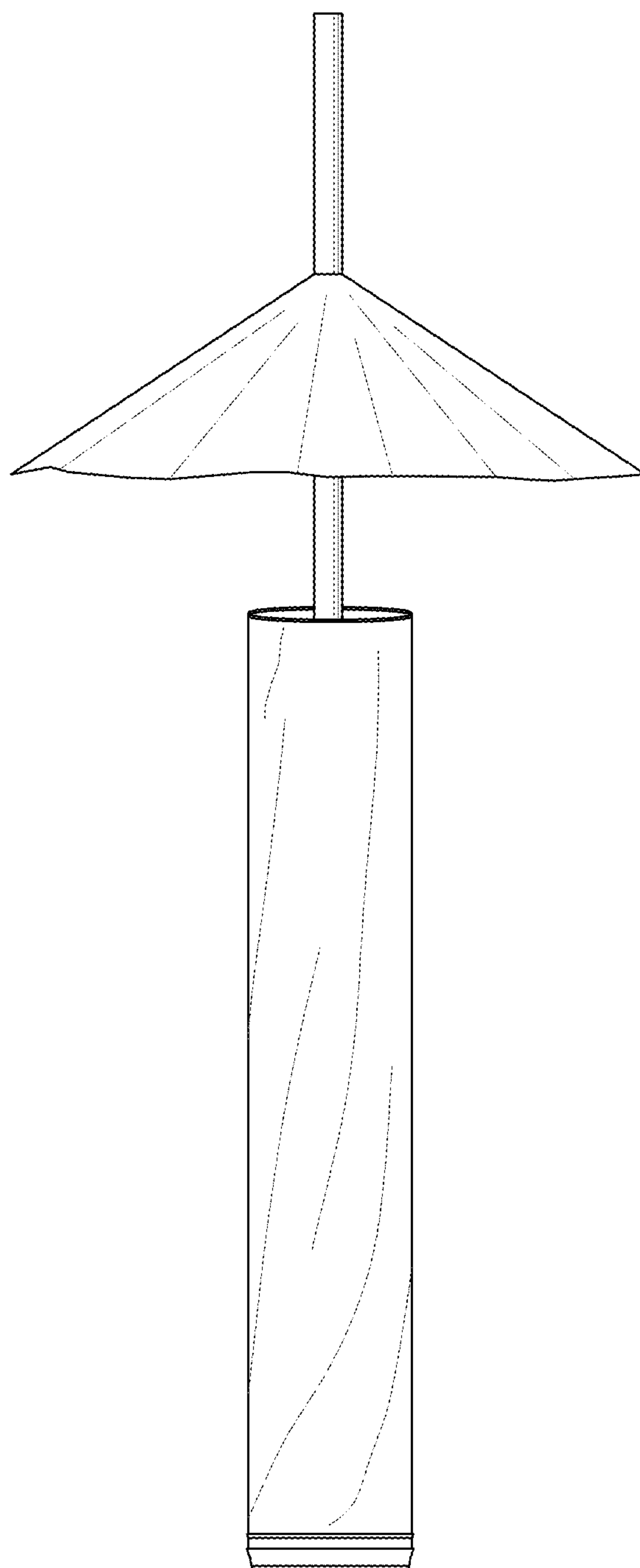


FIG. 5

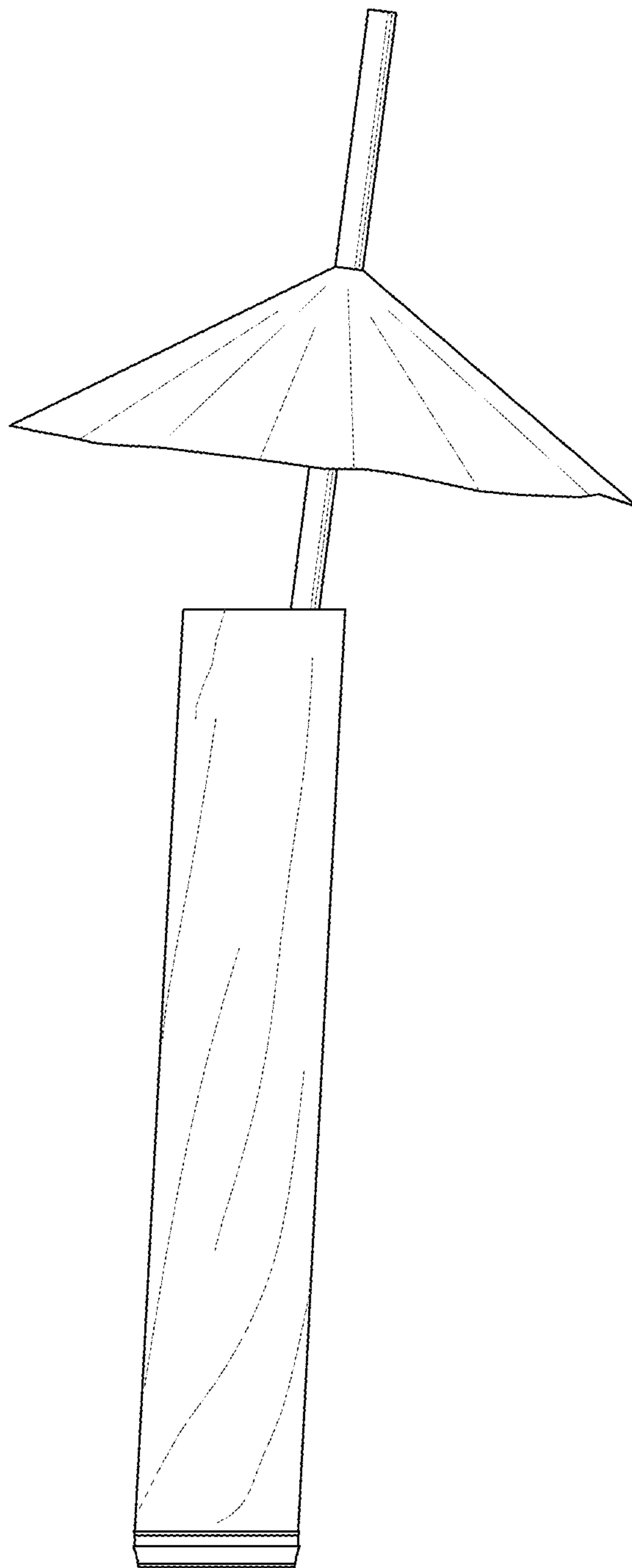


FIG. 6

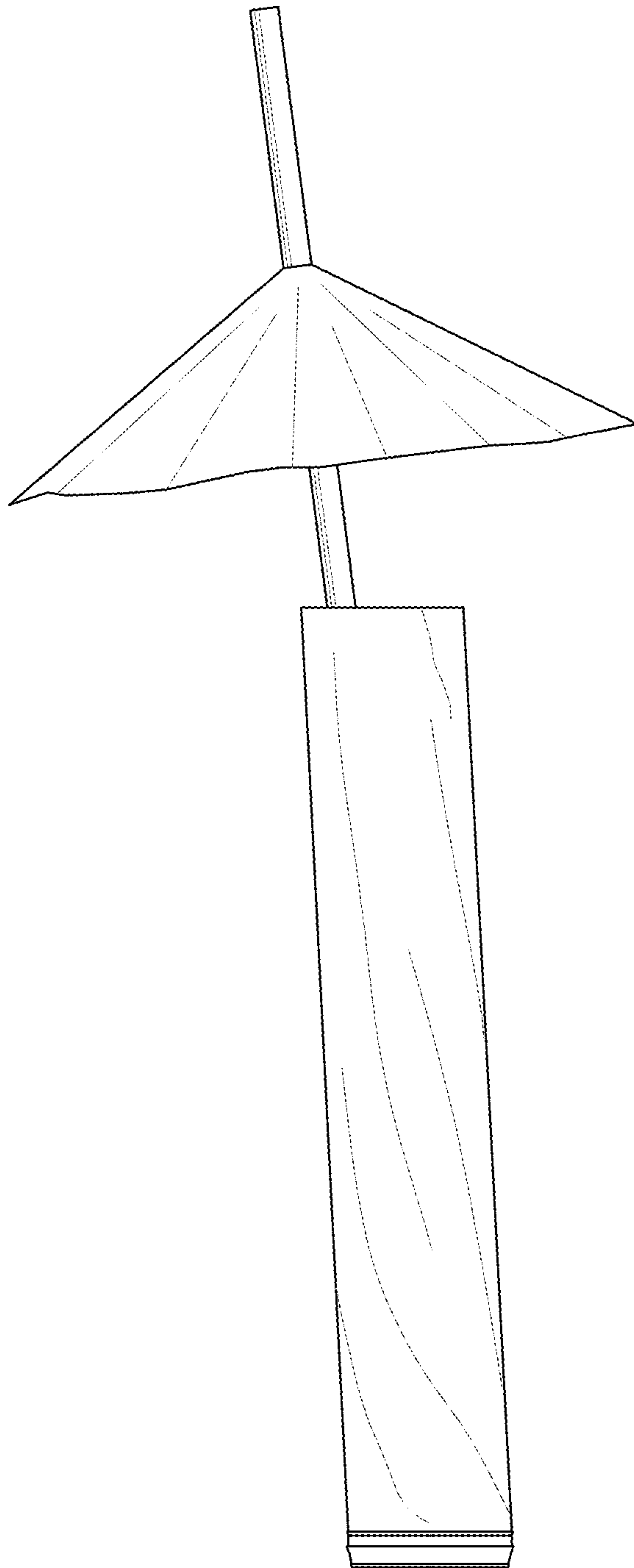


FIG. 7

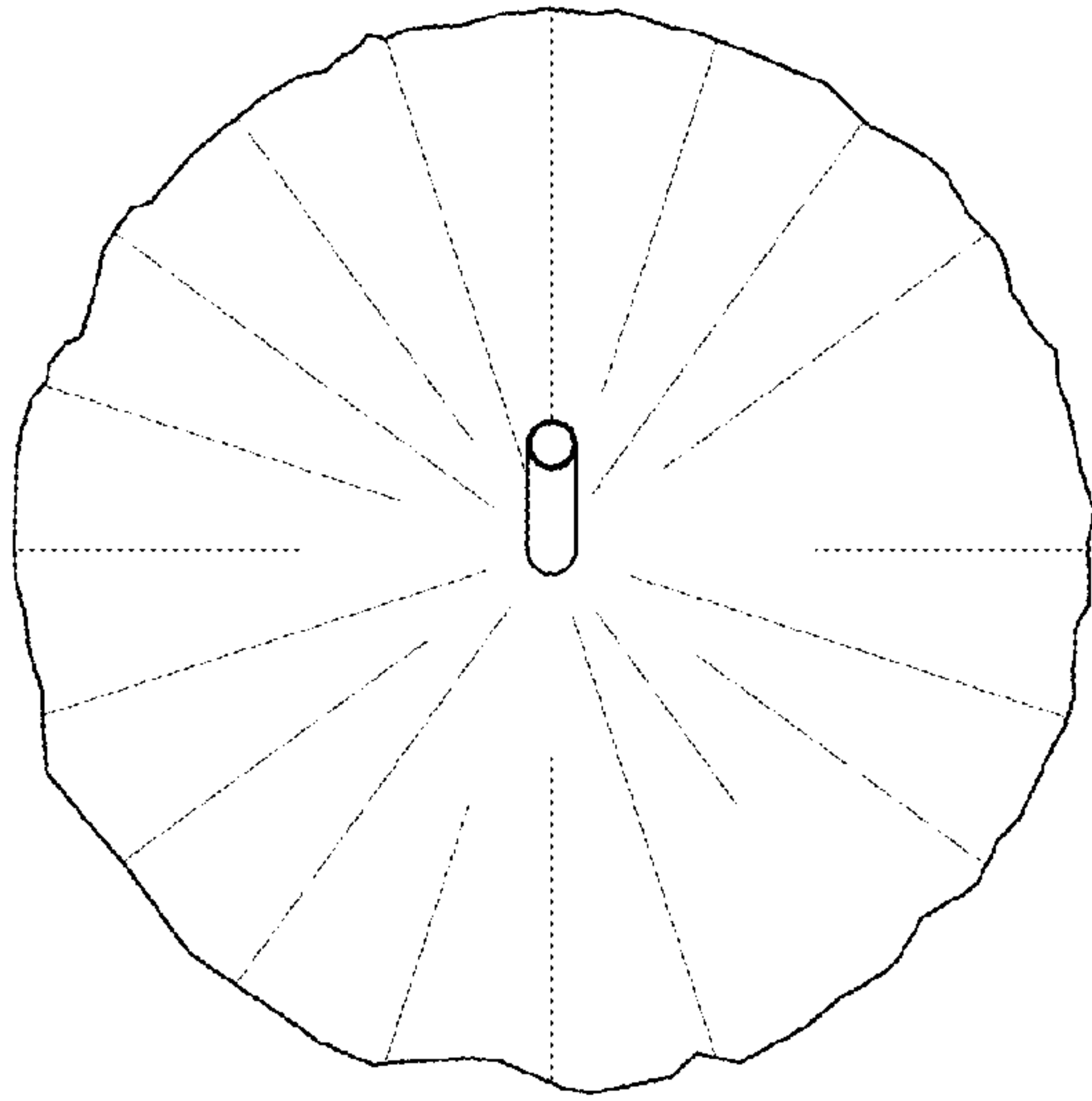


FIG. 8

