



US00D761056S

(12) **United States Design Patent**
Kemker

(10) **Patent No.:** **US D761,056 S**
(45) **Date of Patent:** **** Jul. 12, 2016**

(54) **STIRRER**

(71) Applicant: **Vorwerk & Co. Interholding GmbH**,
Wuppertal (DE)

(72) Inventor: **Uwe Kemker**, Wuppertal, DE (US)

(73) Assignee: **Vorwerk & Co. Interholding GmbH**,
Wuppertal (DE)

(**) Term: **14 Years**

(21) Appl. No.: **29/512,475**

(22) Filed: **Dec. 19, 2014**

(30) **Foreign Application Priority Data**

Sep. 3, 2014 (EM) 001420202

(51) **LOC (10) Cl.** **31-00**

(52) **U.S. Cl.**
USPC **D7/412; D7/376; D7/378; D7/383;**
D7/384

(58) **Field of Classification Search**

USPC D7/372, 376-386, 412-413, 602, 629,
D7/665-666, 669, 679, 693-694

CPC A21C 1/02; A21C 1/04; A23N 1/00;
A23N 1/02; A47J 43/04; A47J 43/25; A47J
43/27; A47J 43/042; A47J 43/044; A47J
43/046; A47J 43/075; A47J 43/0722; A47J
43/0727; B01F 3/00; B01F 3/0807; B01F
3/0853; B01F 13/0059; B01F 13/0064;
B02C 1/08; B02C 2/04; B02C 4/42; B02C
4/142; B02C 4/143; B02C 4/423; B02C
13/1835; B28C 5/10; B28C 5/12; B28C 5/14;
B28C 5/16

See application file for complete search history.

(56) **References Cited**

U.S. PATENT DOCUMENTS

D421,201 S * 2/2000 Crescenzi D7/412
D421,546 S * 3/2000 Ekstrom D7/412

(Continued)

OTHER PUBLICATIONS

Specification, Claim and Drawings of U.S. Appl. No. 29/510,103,
filed Nov. 25, 2014.

Primary Examiner — Ricky Pham

(74) *Attorney, Agent, or Firm* — Collard & Roe, P.C.

(57) **CLAIM**

The ornamental design for a stirrer, as shown and described.

DESCRIPTION

The patent or application file contains at least one drawing
executed in color. Copies of this patent or patent application
publication with color drawing(s) will be provided by the
Office upon request and payment of the necessary fee.

FIG. 1 is a front view of a stirrer, showing my new design;

FIG. 2 is a side view thereof;

FIG. 3 is a rear view thereof;

FIG. 4 is another side view thereof, opposite the side view of
FIG. 2;

FIG. 5 is top view thereof;

FIG. 6 is a bottom view thereof;

FIG. 7 is a bottom and side perspective view thereof;

FIG. 8 is a front view of an alternate embodiment of a stirrer,
showing my new design;

FIG. 9 is a side view thereof;

FIG. 10 is a rear view thereof;

FIG. 11 is another side view thereof, opposite the side view of
FIG. 9;

FIG. 12 is top view thereof;

FIG. 13 is a bottom view thereof;

FIG. 14 is a bottom and side perspective view thereof;

FIG. 15 is a front view of another alternate embodiment of a
stirrer, showing my new design;

FIG. 16 is a side view thereof;

FIG. 17 is a rear view thereof;

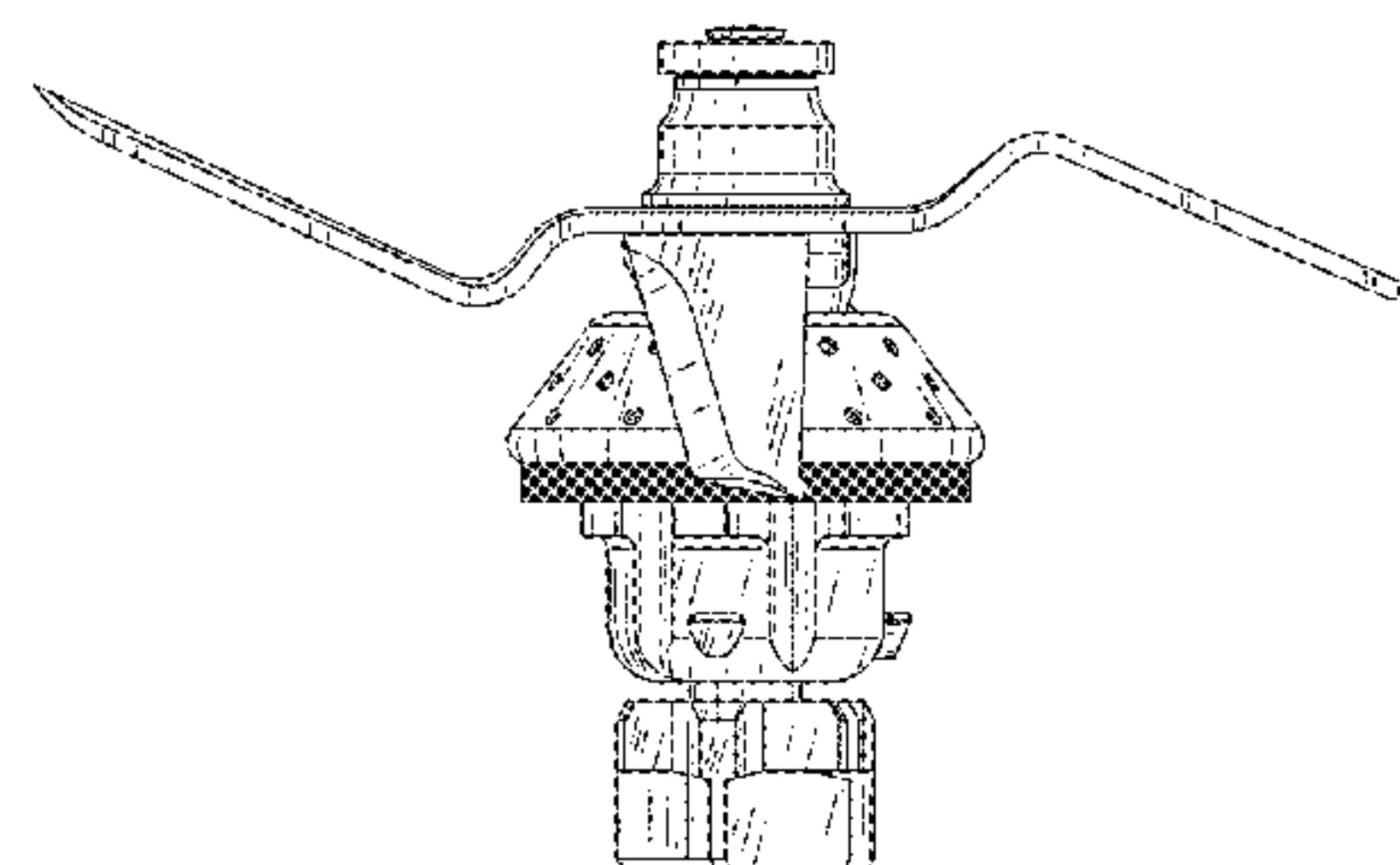
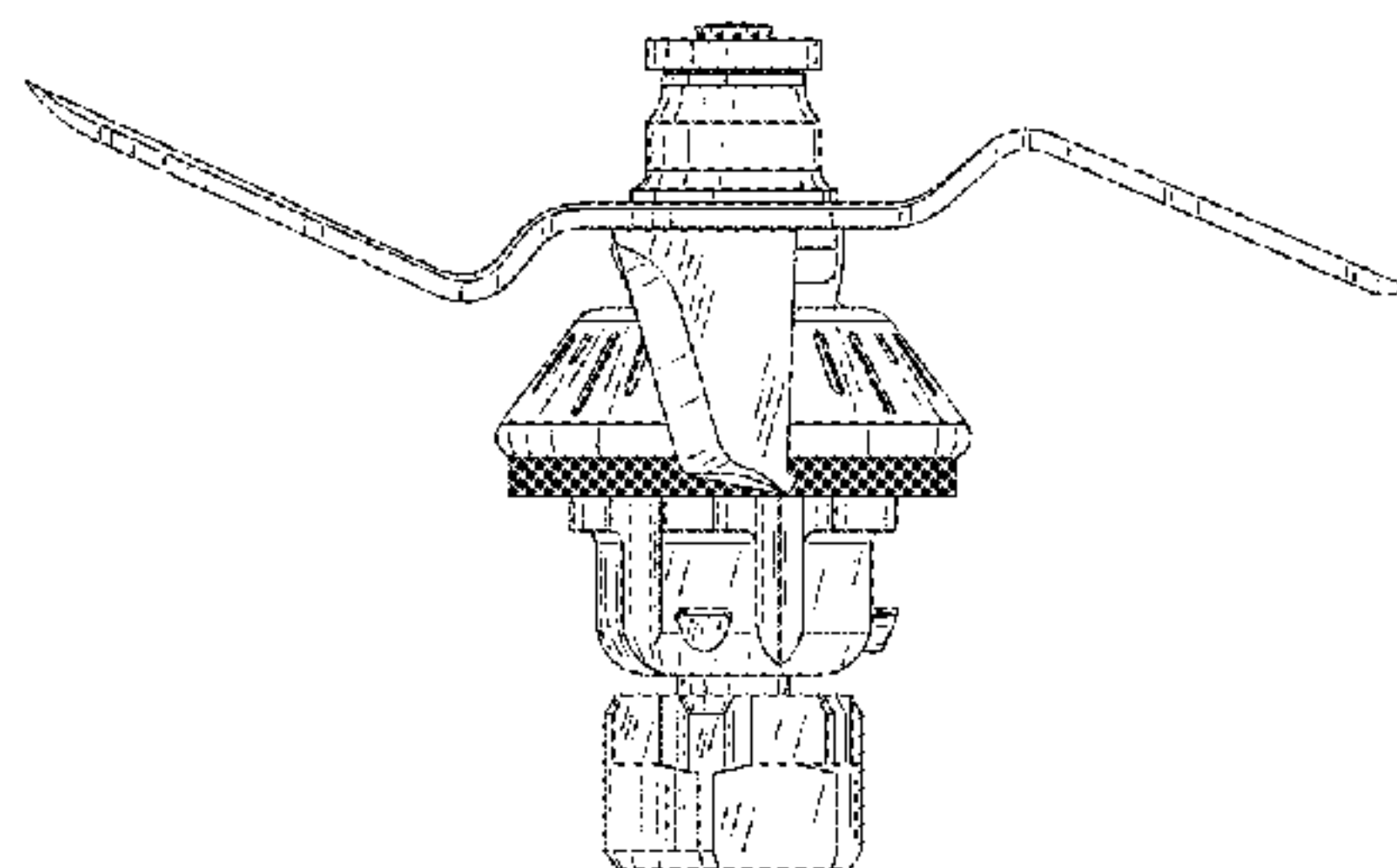
FIG. 18 is another side view thereof, opposite the side of FIG.
16;

FIG. 19 is top view thereof;

FIG. 20 is a bottom view thereof; and,

FIG. 21 is a bottom and side perspective view thereof.

1 Claim, 12 Drawing Sheets
(12 of 12 Drawing Sheet(s) Filed in Color)



(56)

References Cited

U.S. PATENT DOCUMENTS

D623,890 S * 9/2010 Metaxatos D7/376
D647,365 S * 10/2011 Audette D7/376
D668,115 S * 10/2012 Potter D7/376
D684,817 S * 6/2013 Leavitt D7/412
D700,013 S * 2/2014 Chu D7/376

8,721,164 B2 * 5/2014 Audette A47J 43/0722
366/205
D708,902 S * 7/2014 Audette D7/376
D709,324 S * 7/2014 Guo D7/376
D709,325 S * 7/2014 Guo D7/376
D729,573 S * 5/2015 Moon D7/376
2008/0198691 A1 * 8/2008 Behar A47J 43/0722
366/205

* cited by examiner

Fig. 1

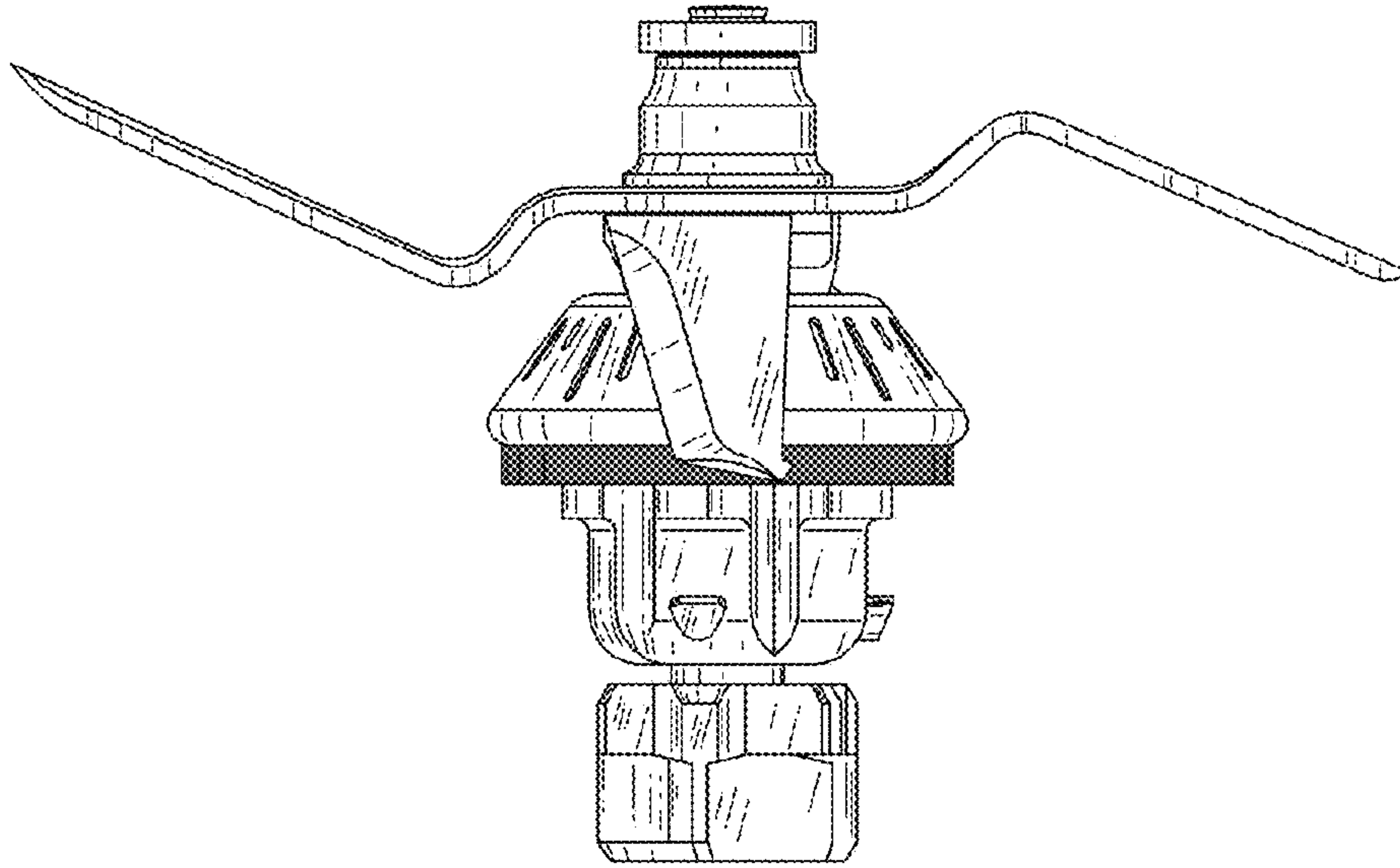


Fig. 2

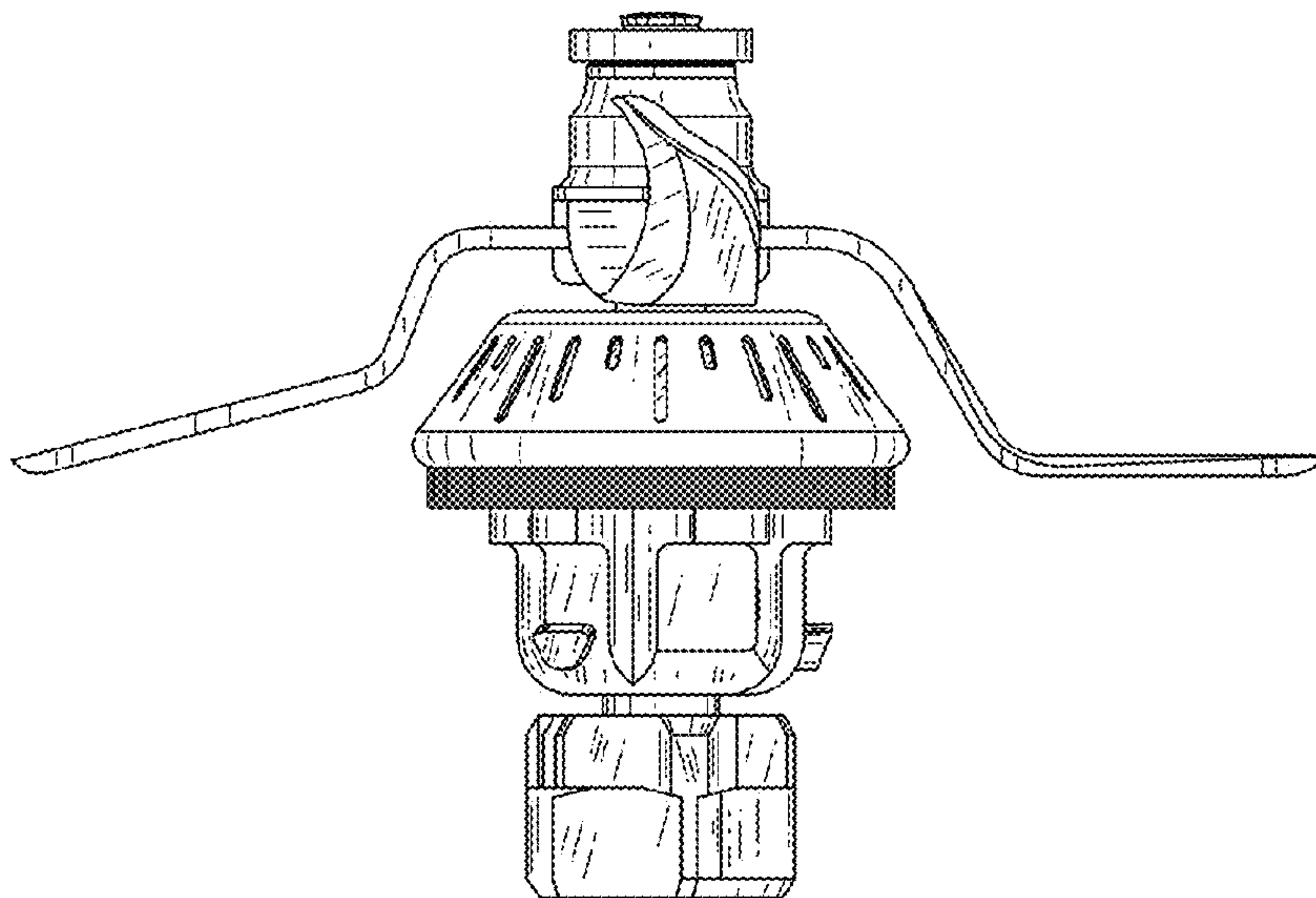


Fig: 3

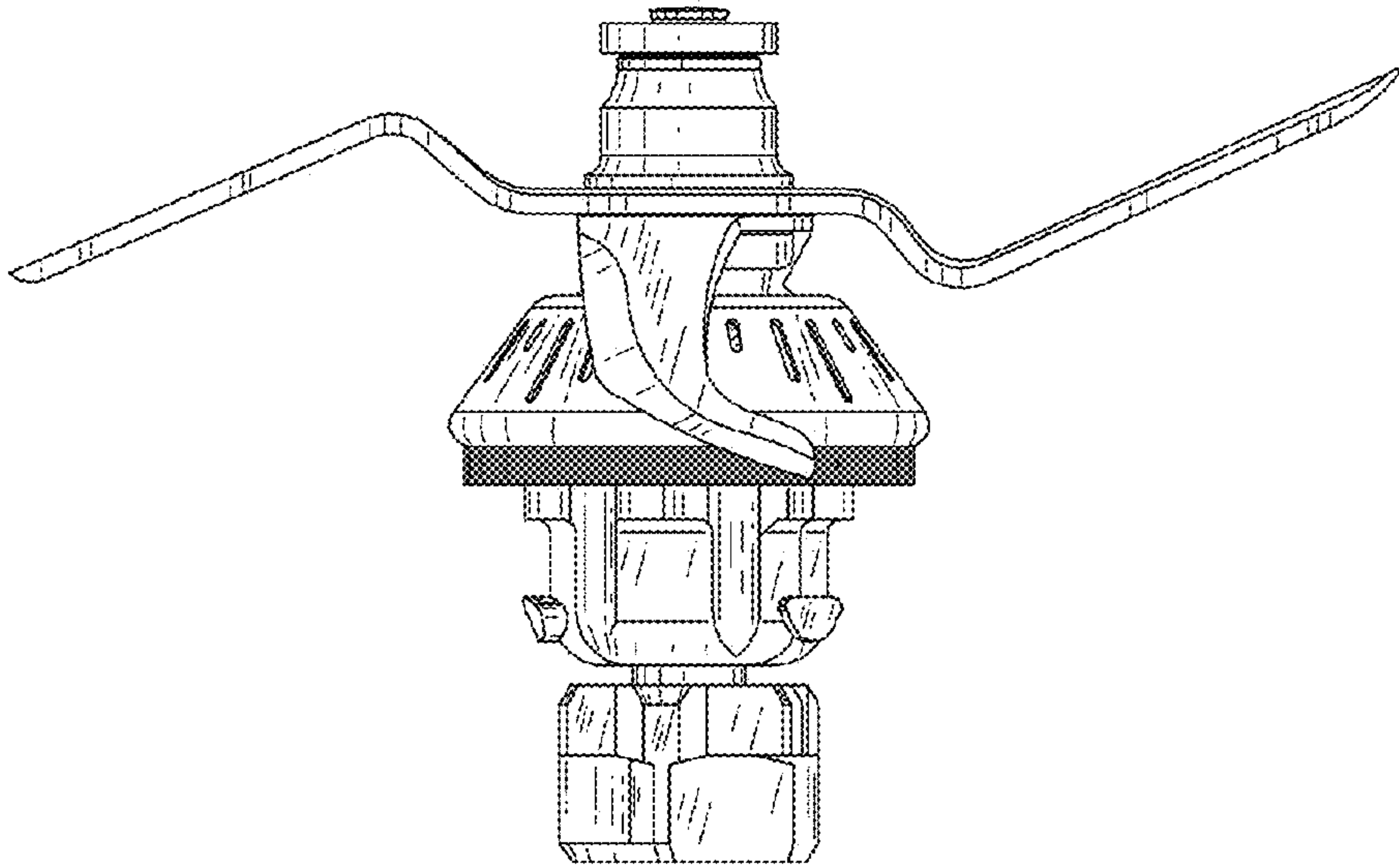


Fig: 4

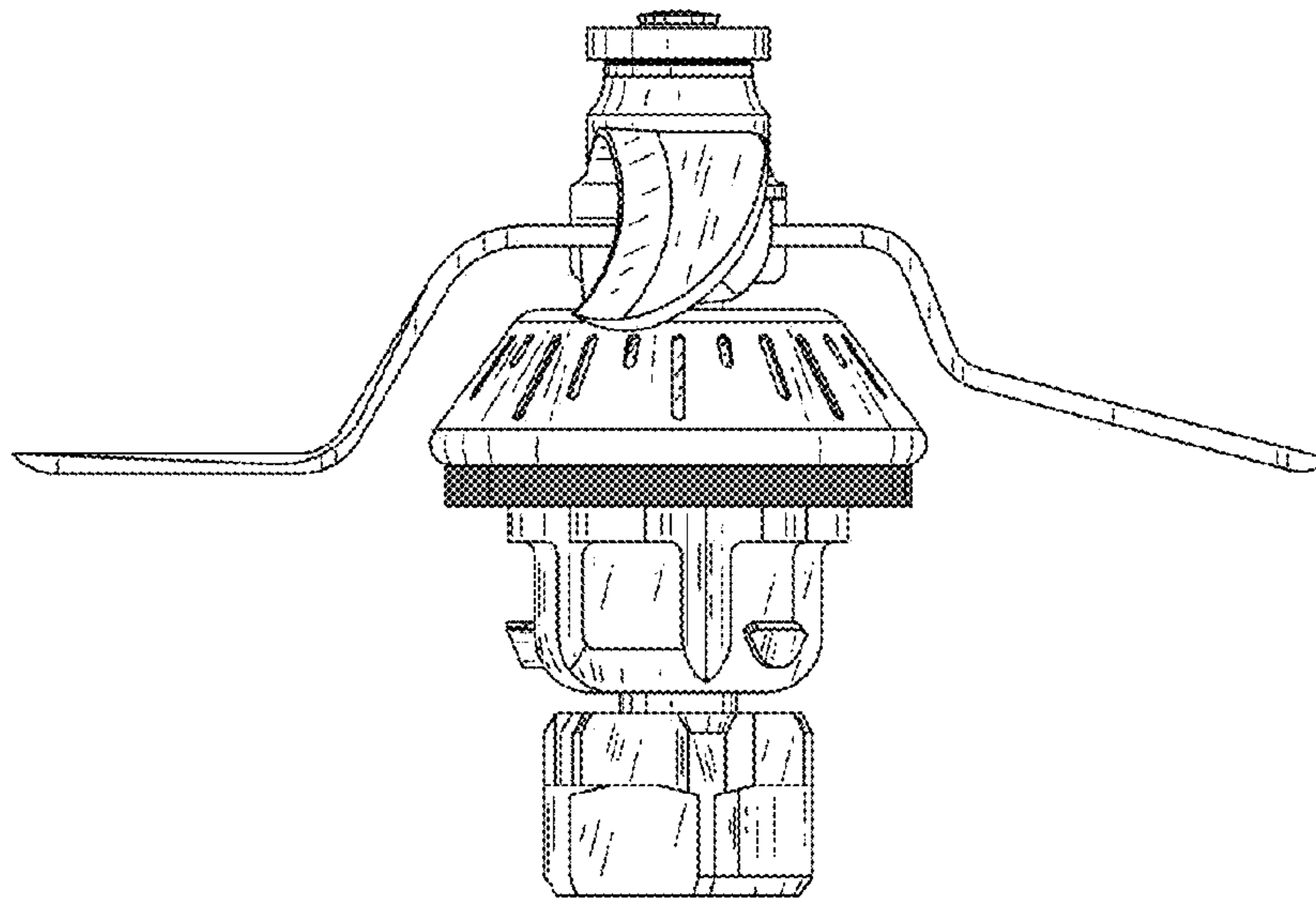


Fig. 5

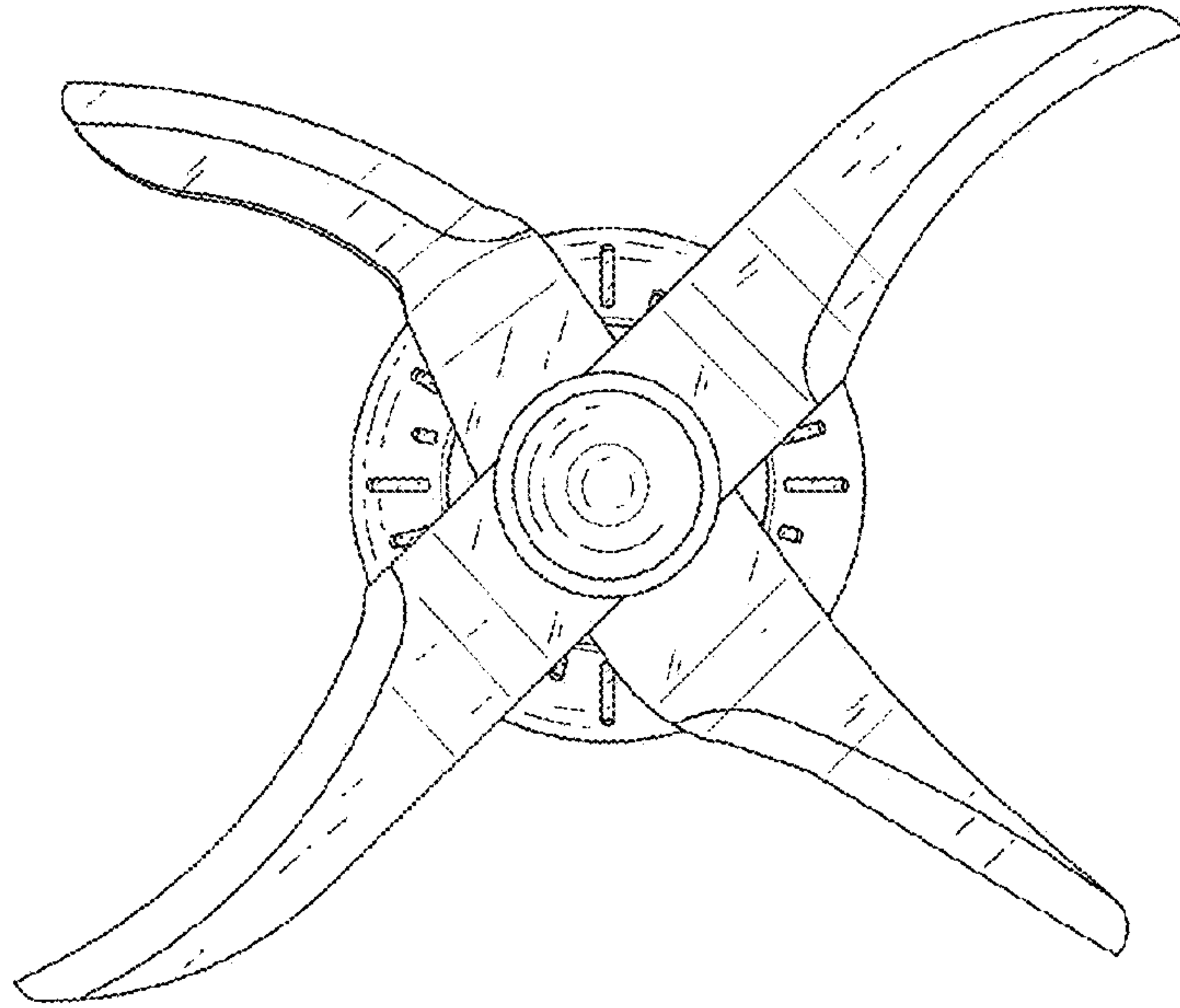


Fig. 6

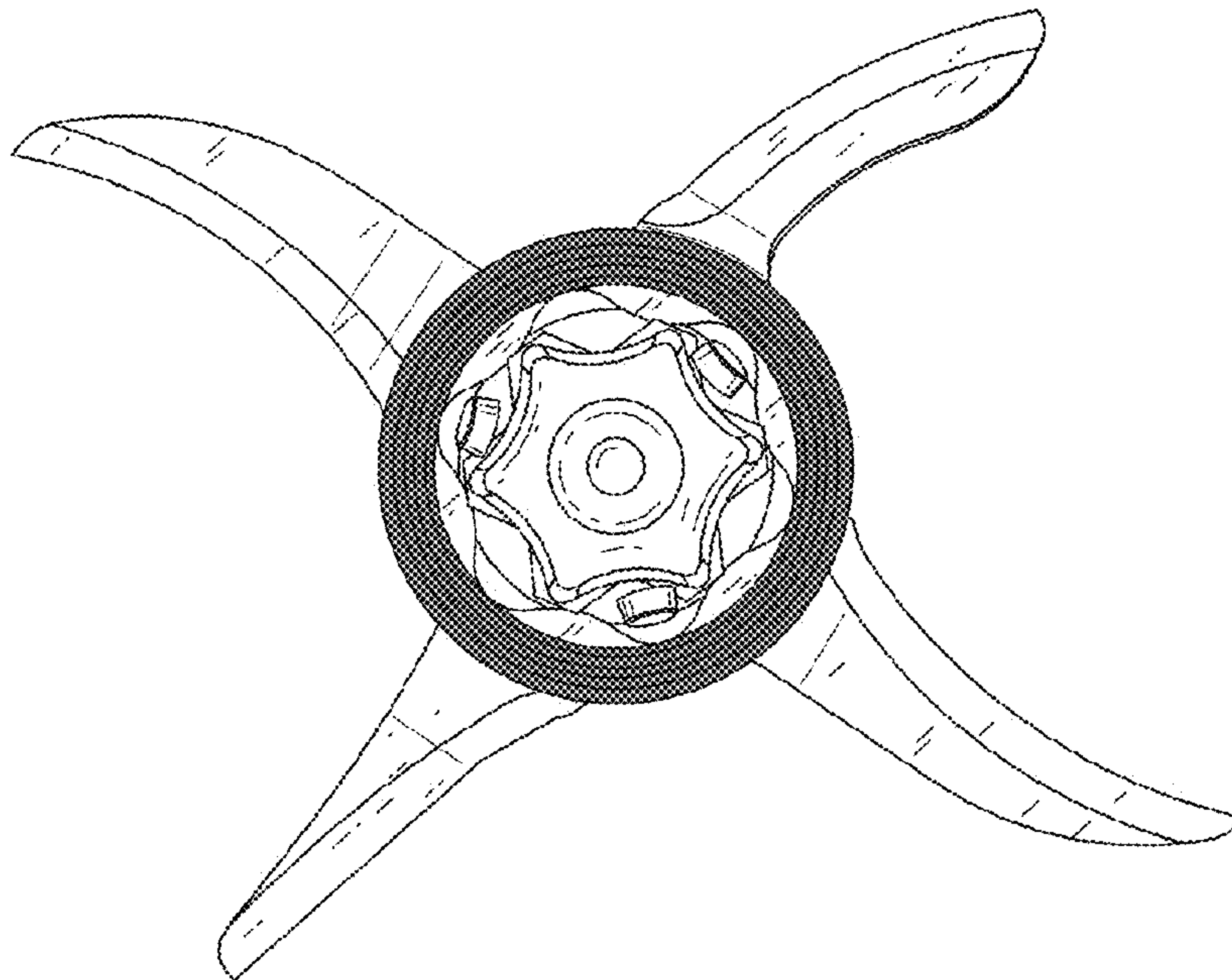


Fig. 7

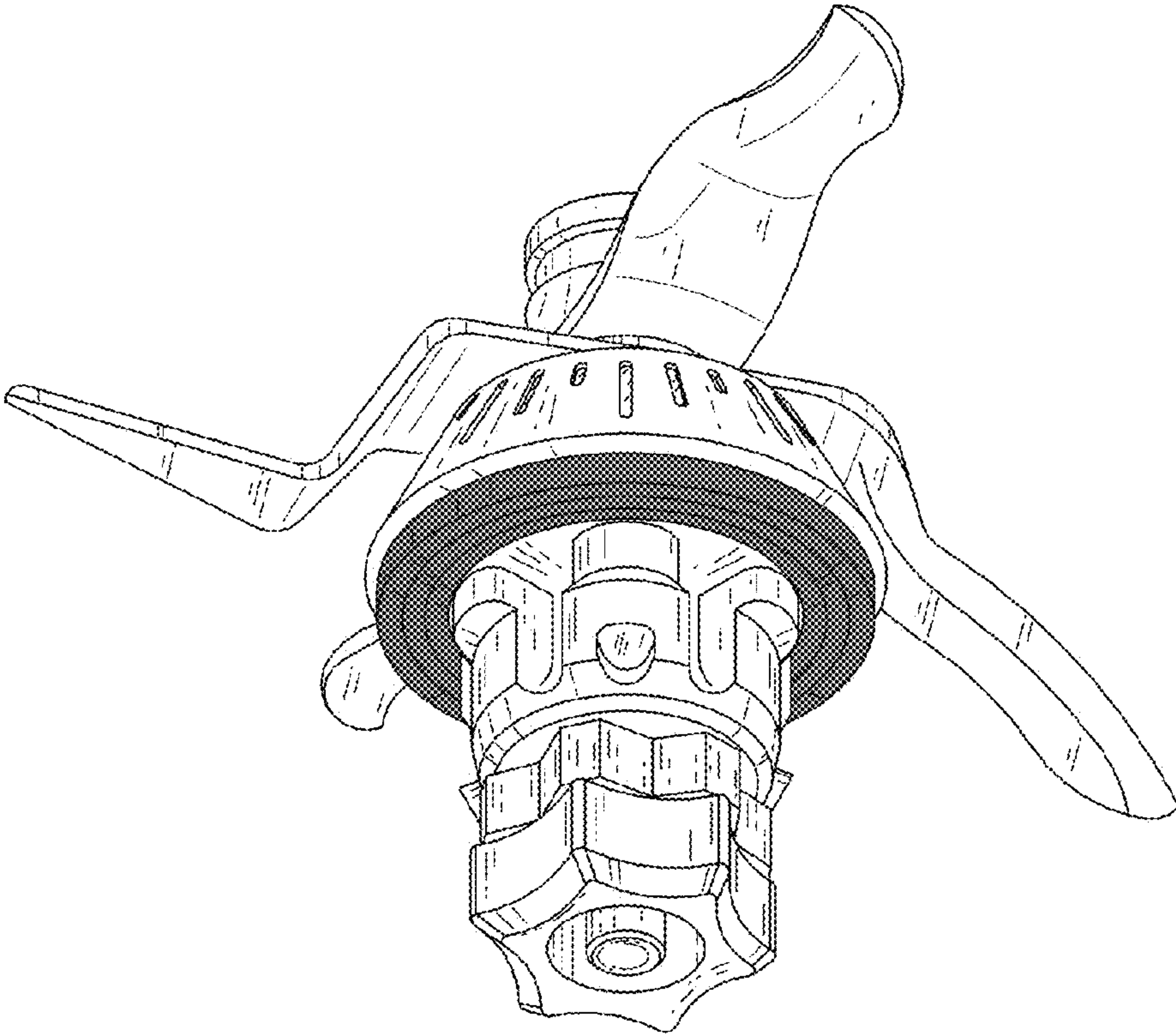


Fig. 8

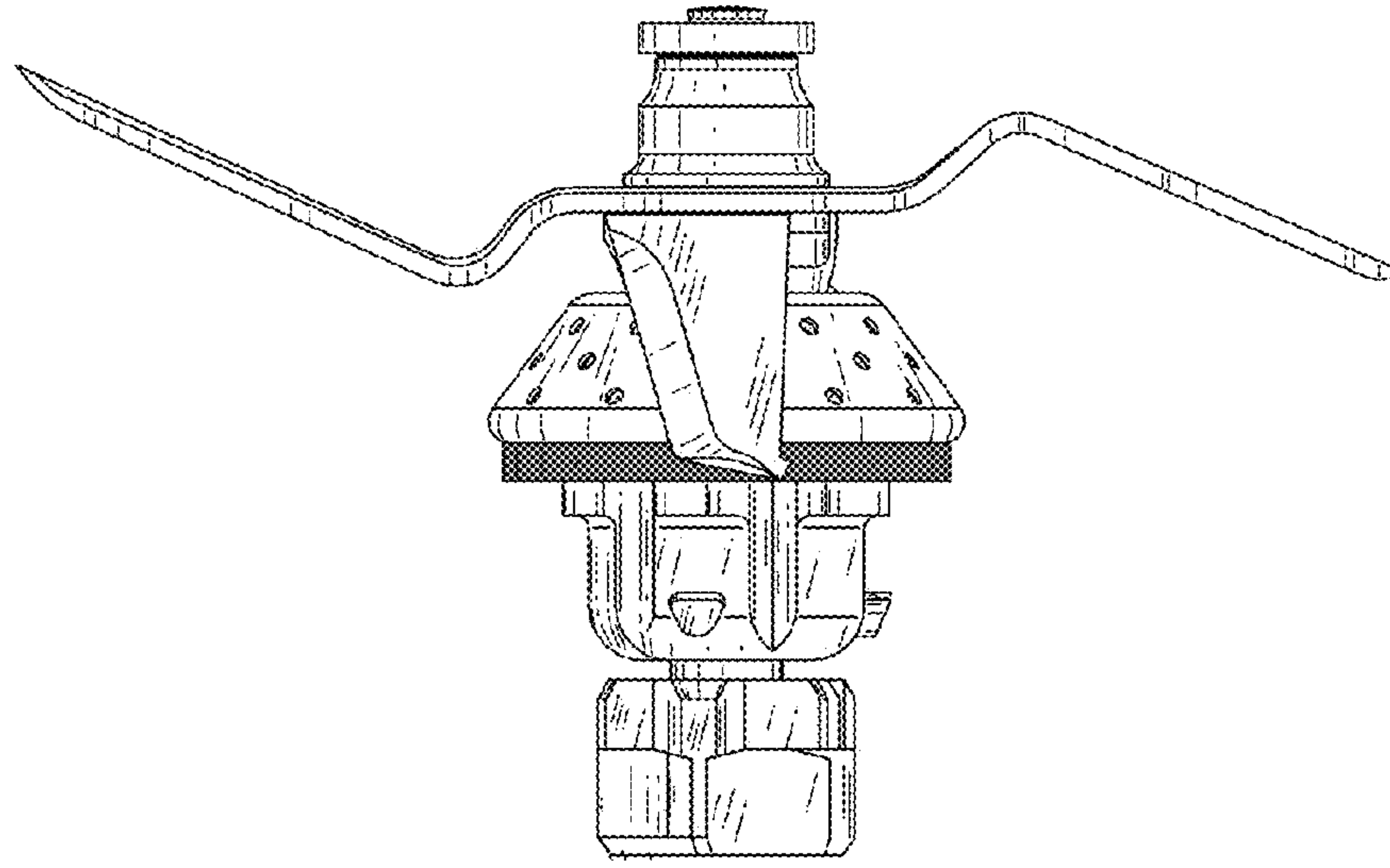


Fig. 9

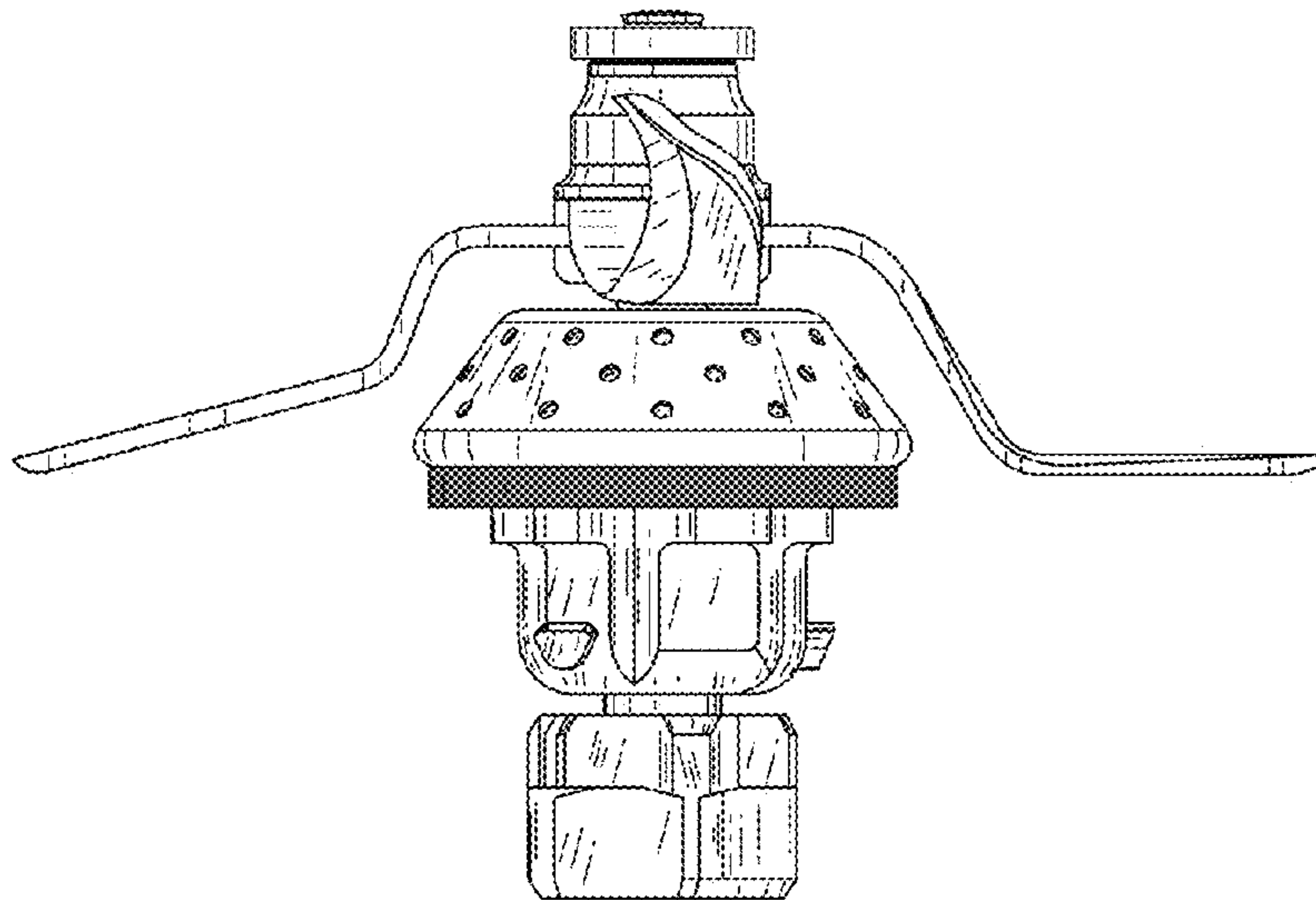


Fig. 10

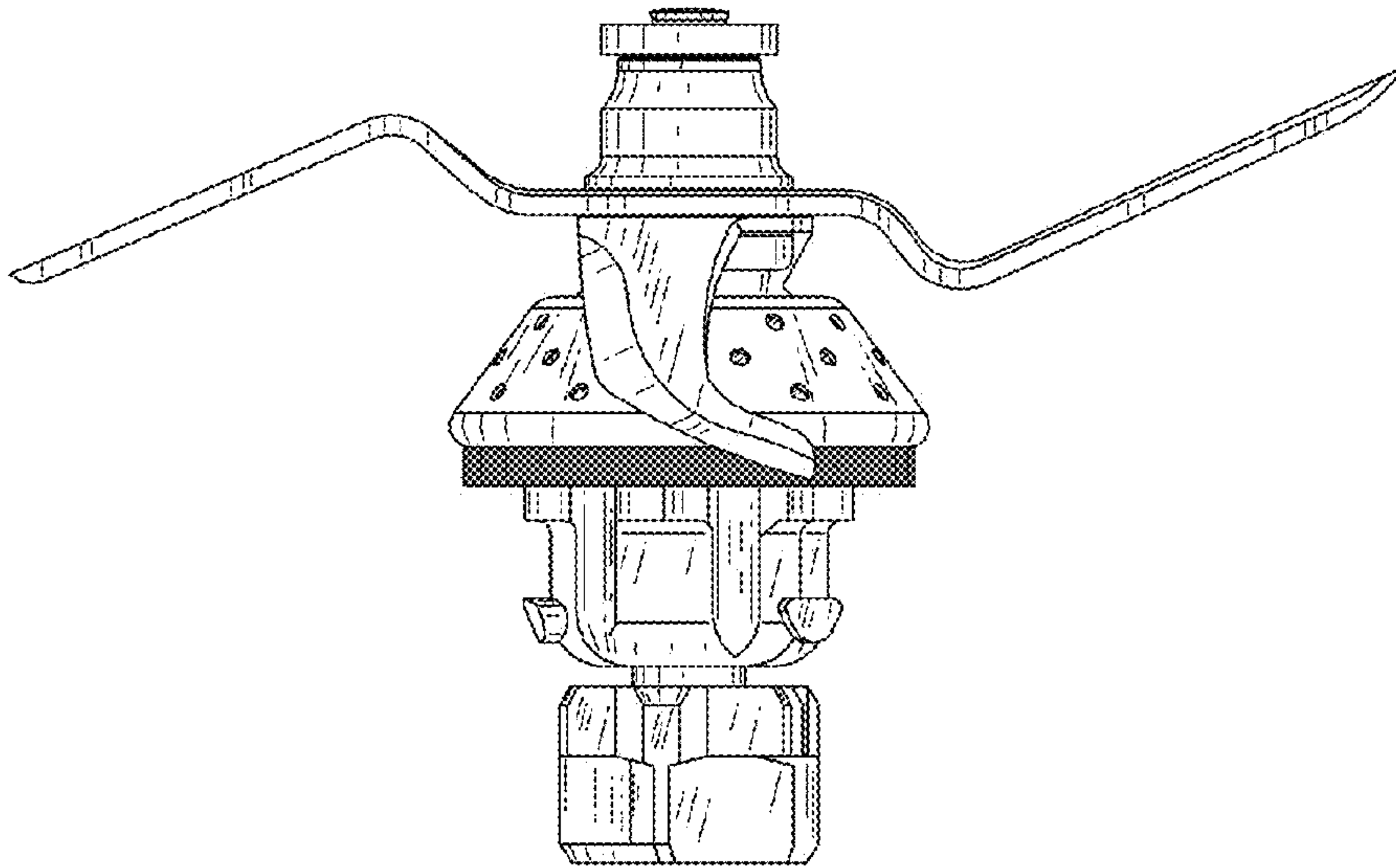


Fig. 11

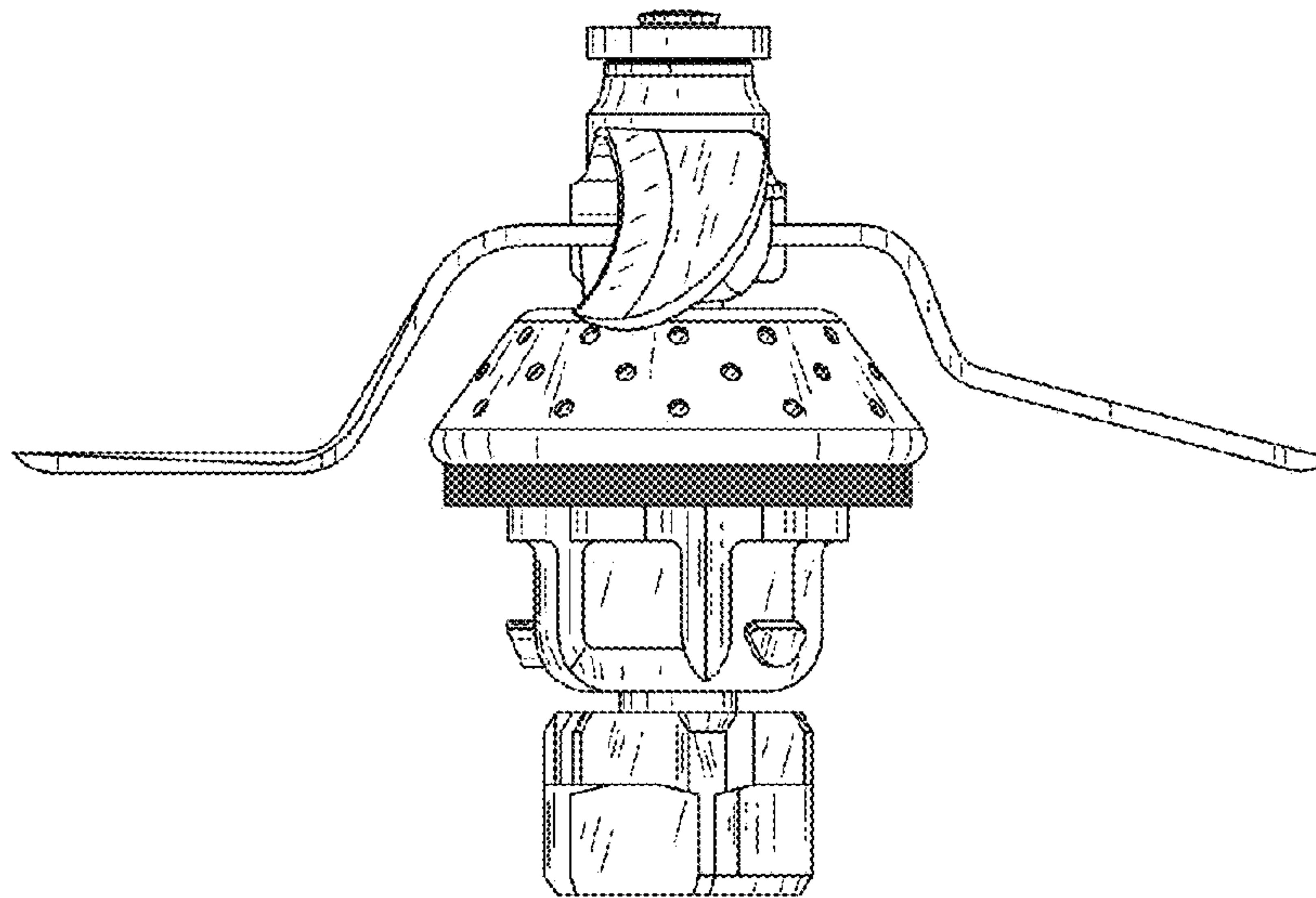


Fig. 12

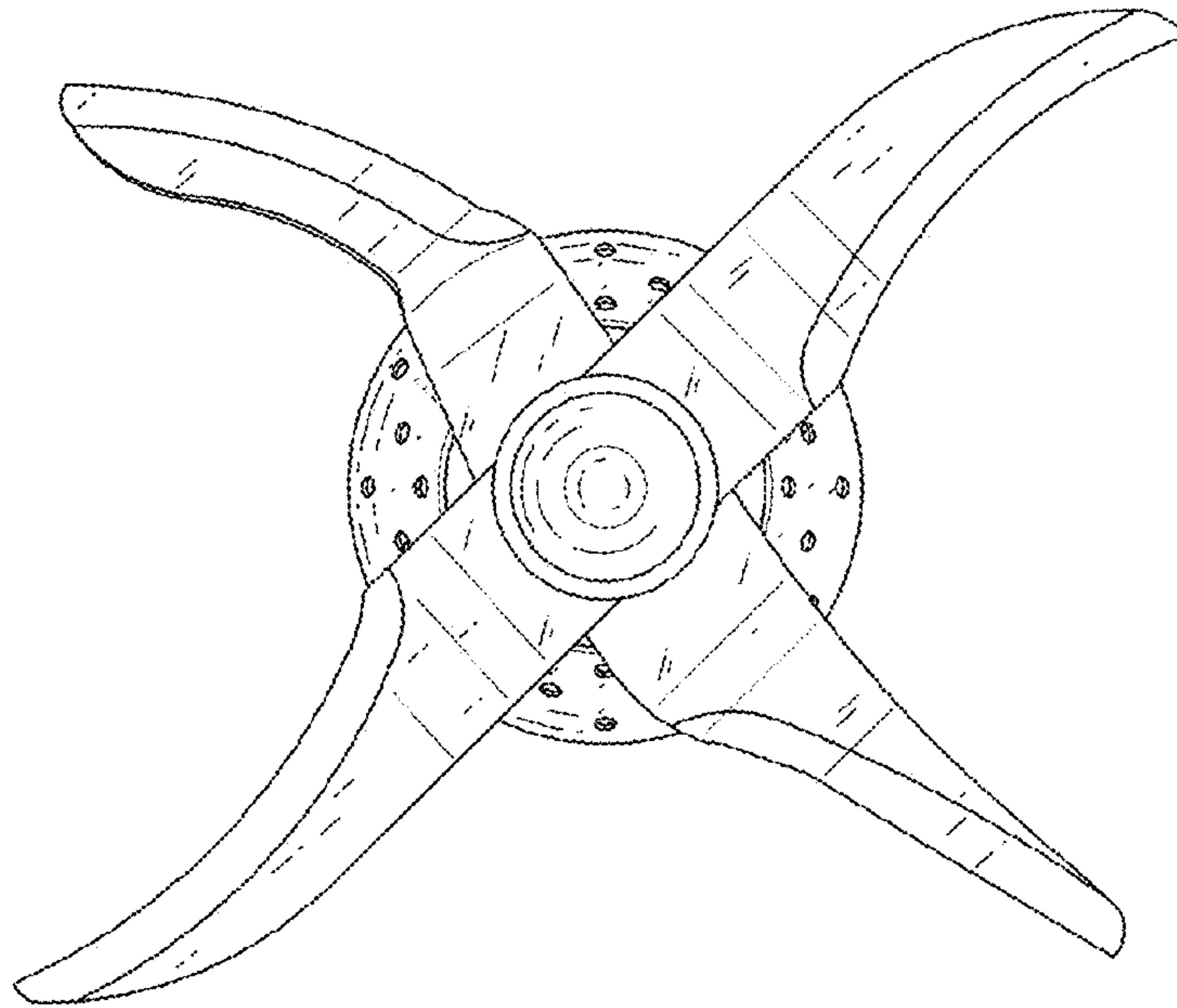


Fig. 13

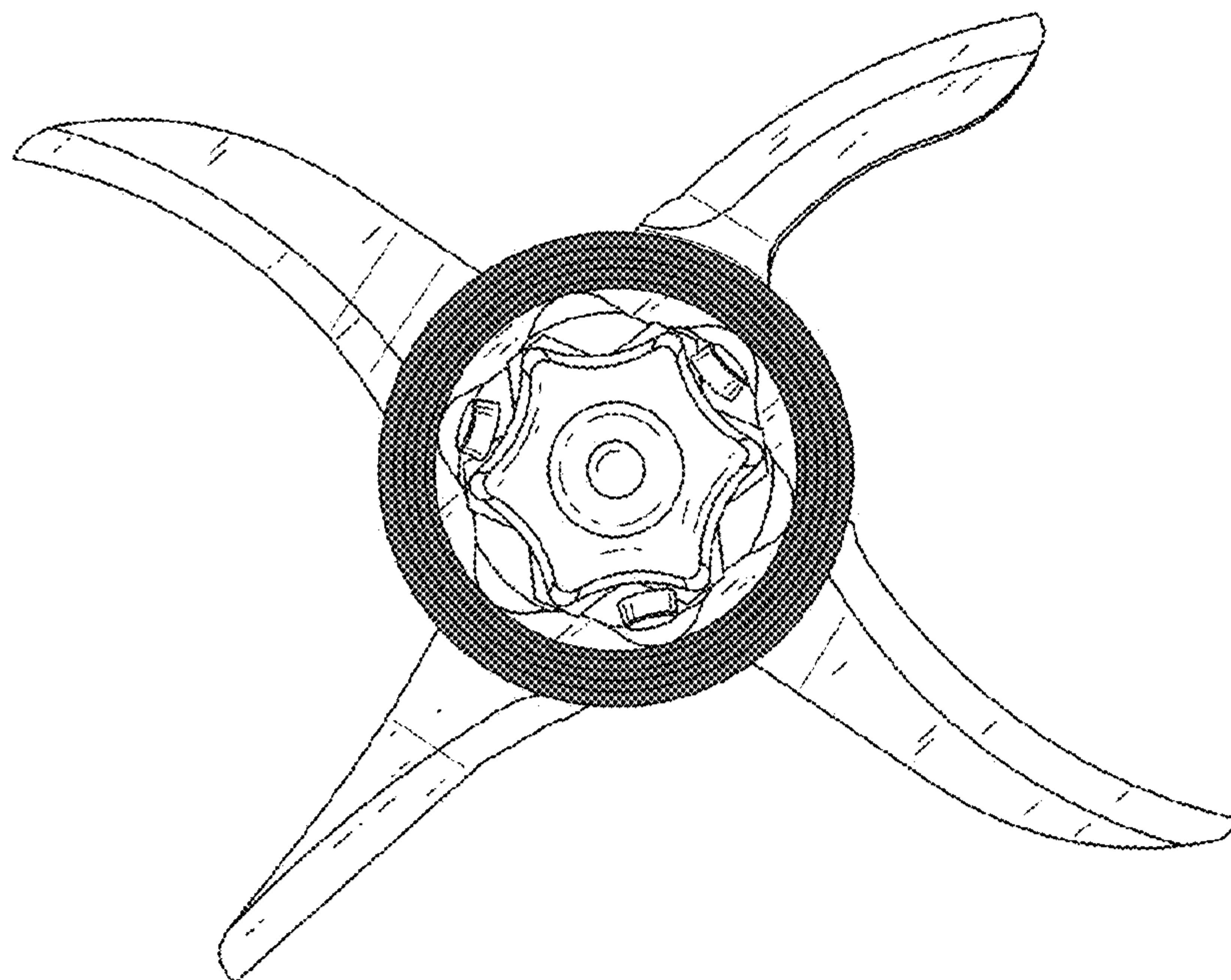


Fig. 14

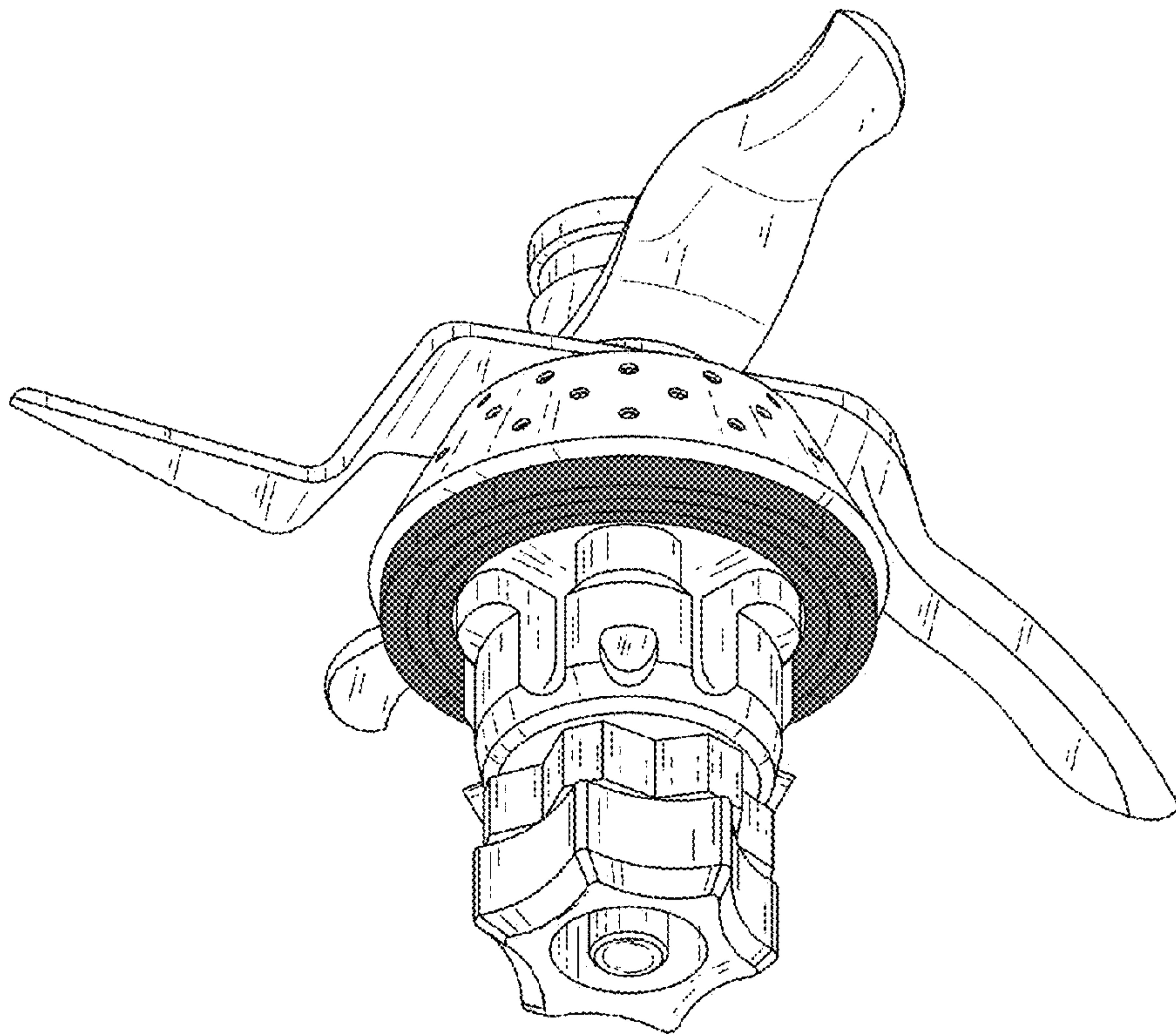


Fig. 15

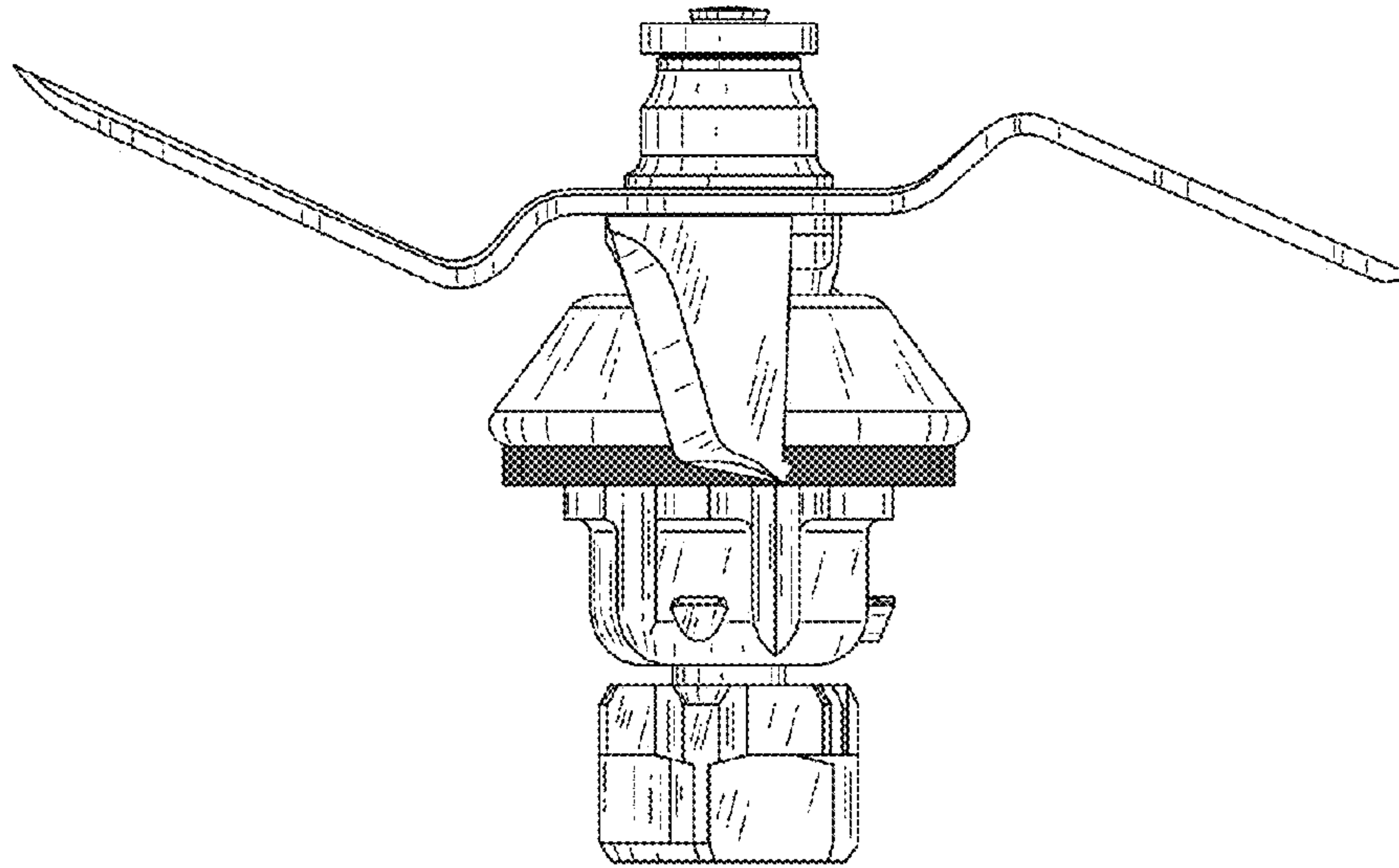


Fig. 16

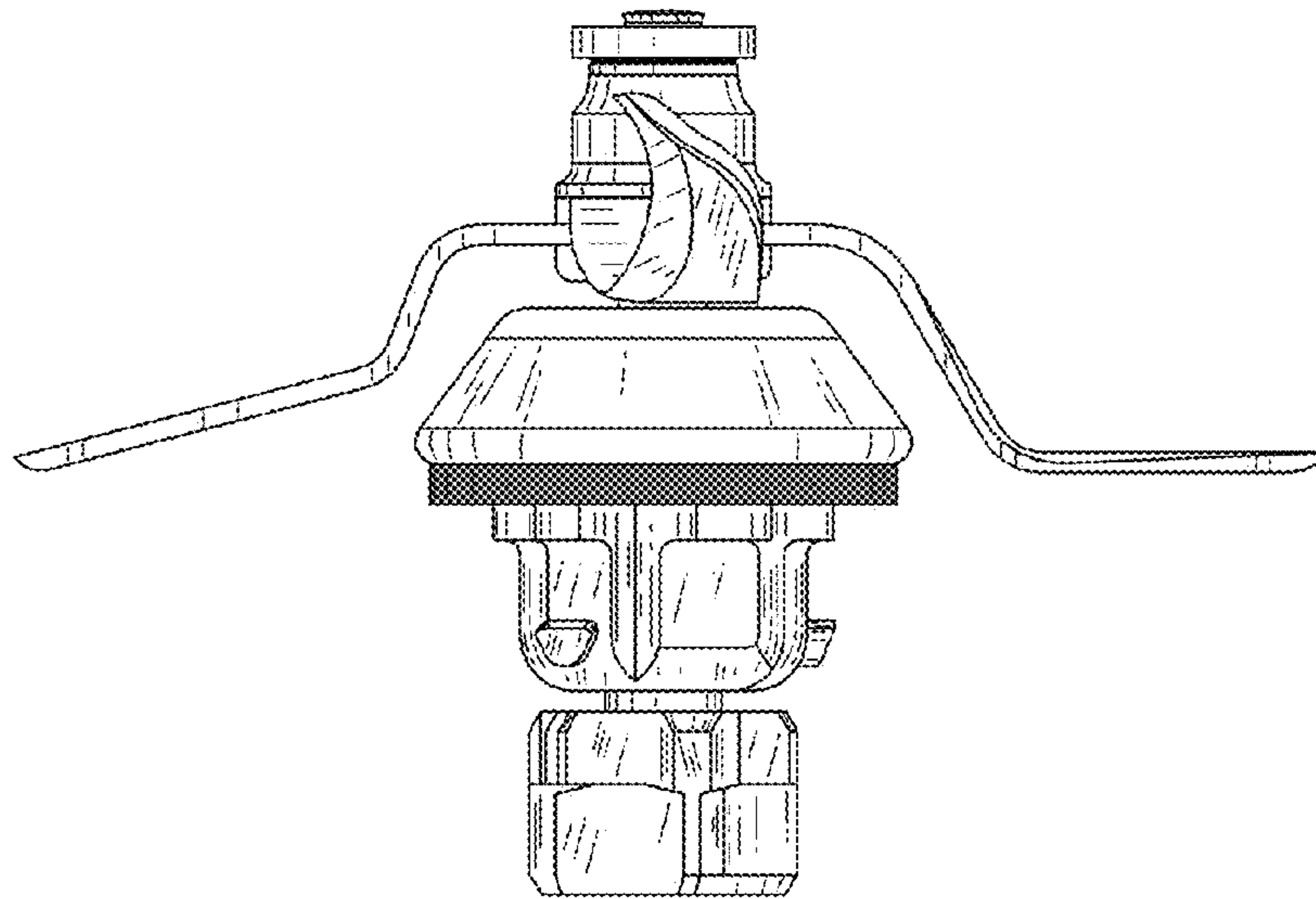


Fig. 17

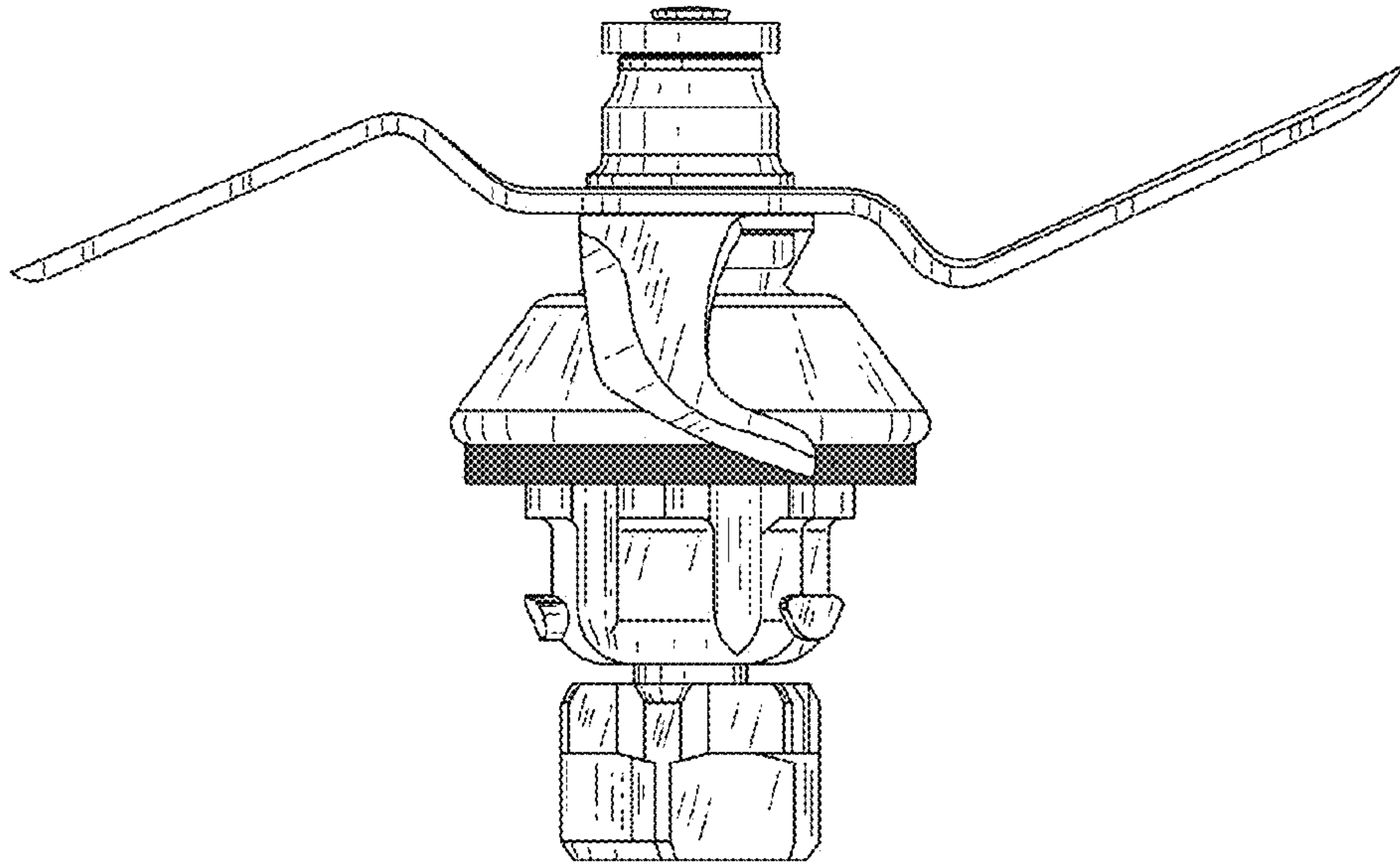


Fig. 18

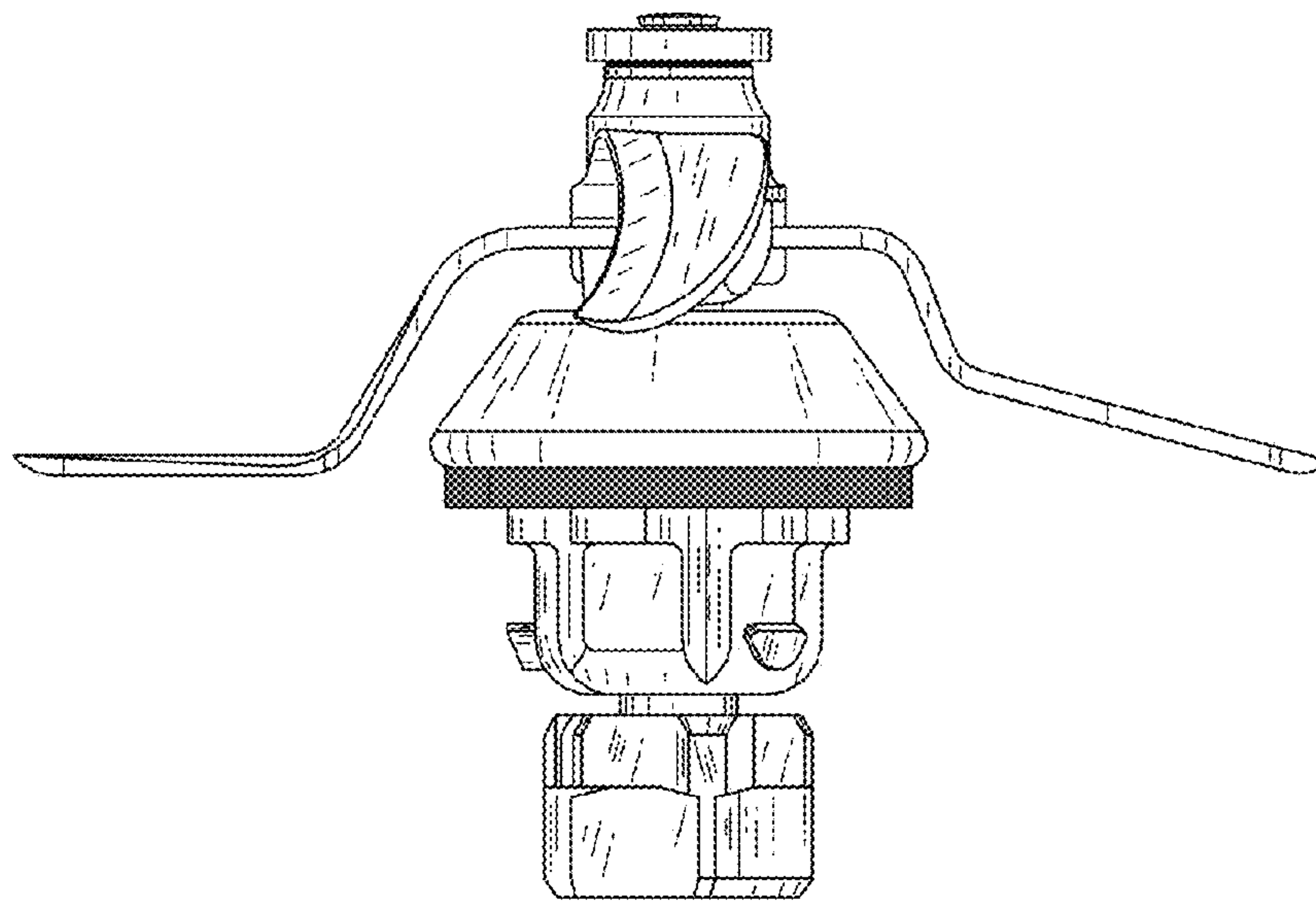


Fig. 19

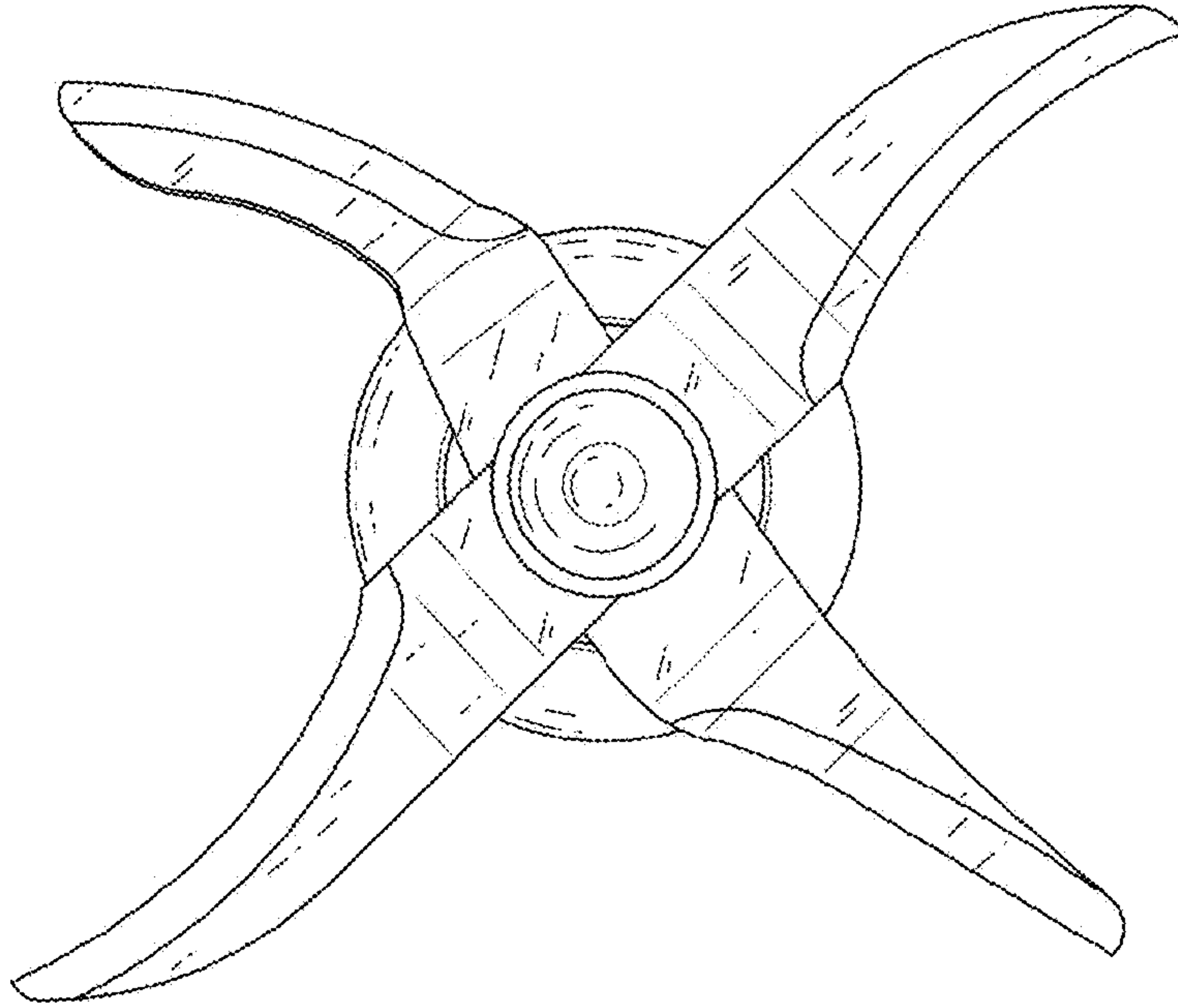


Fig. 20

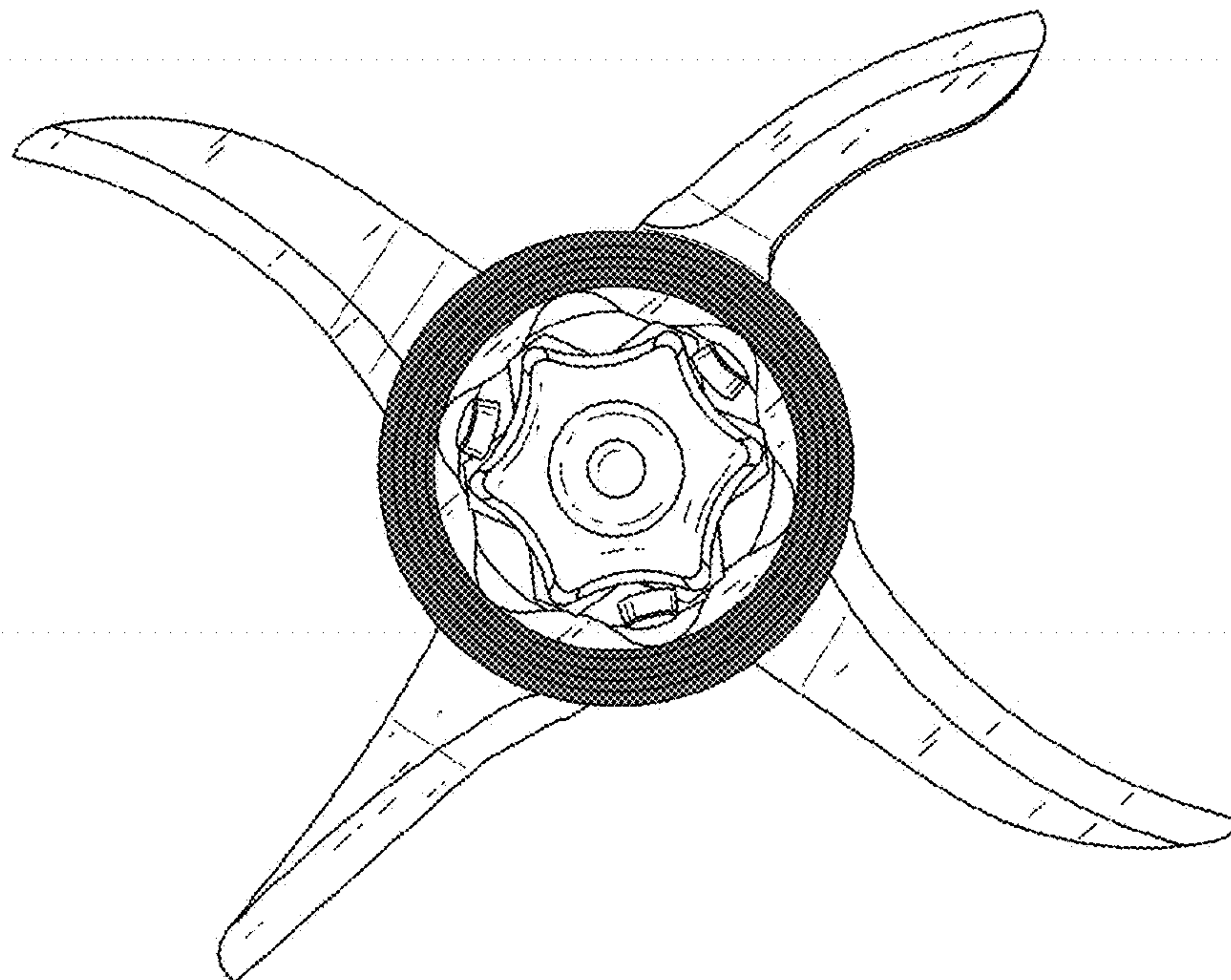


Fig. 21

