



US00D761055S

(12) **United States Design Patent**  
**Marcorin**

(10) **Patent No.:** **US D761,055 S**  
(45) **Date of Patent:** **\*\* Jul. 12, 2016**

(54) **SMOKER**

(56) **References Cited**

(71) Applicant: **Electrolux Professional S.p.A.**,  
Pordenone (IT)

U.S. PATENT DOCUMENTS

(72) Inventor: **Paolo Marcorin**, Pordenone (IT)

D491,013 S *	6/2004	Yang	.....	D7/367
D524,600 S *	7/2006	Austin	.....	219/400
D581,736 S *	12/2008	Besseas	.....	D7/407
D630,897 S *	1/2011	Jarvis	.....	D7/407
D677,526 S *	3/2013	Wade	.....	D7/335
D677,987 S *	3/2013	High	.....	D7/402
D679,943 S *	4/2013	Zhou	.....	D7/402
D727,090 S *	4/2015	St. Jacques	.....	D7/387
D732,878 S *	6/2015	Alexander	.....	D7/354

(73) Assignee: **Electrolux Professional S.p.A.**,  
Pordenone (IT)

(\*\*) Term: **14 Years**

\* cited by examiner

(21) Appl. No.: **29/487,402**

*Primary Examiner* — Zenia Bennett

(22) Filed: **Apr. 8, 2014**

(74) *Attorney, Agent, or Firm* — Banner & Witcoff, Ltd.

(30) **Foreign Application Priority Data**

(57) **CLAIM**

Oct. 8, 2013 (EM) ..... 002322032

The ornamental design for a smoker, as shown and described.

(51) **LOC (10) CL.** ..... **07-02**

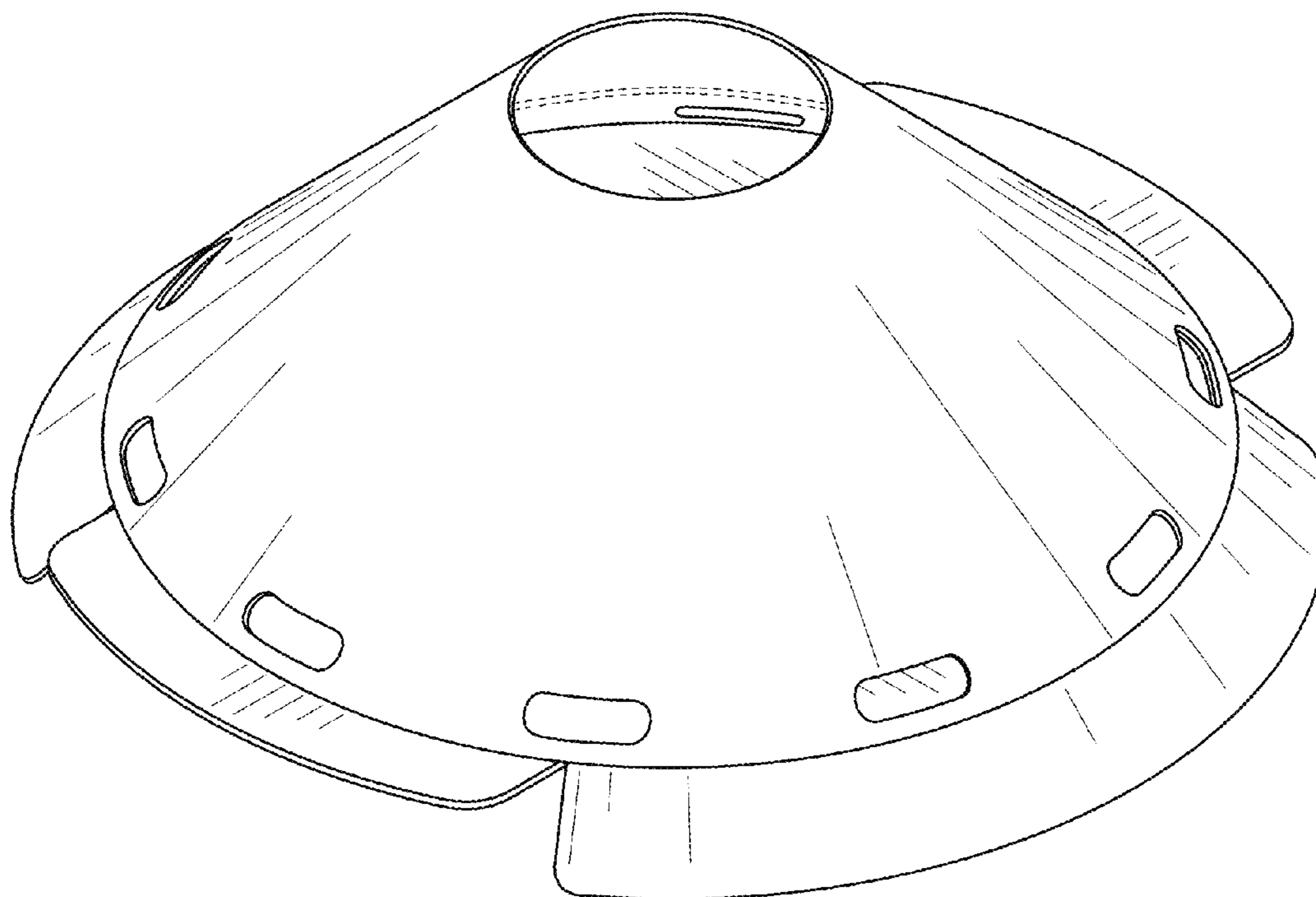
**DESCRIPTION**

(52) **U.S. CL.**  
USPC ..... **D7/402**

(58) **Field of Classification Search**  
USPC ..... D7/323, 329–332, 337, 339, 346, 347,  
D7/354–363, 387, 391, 393, 395, 402, 408,  
D7/409, 411, 504, 404, 637, 638, 601, 704,  
D7/669, 368; 99/279, 323, 324, 325, 331,  
99/332, 337–340, 355, 369, 403–419, 425,  
99/426, 444, 450; D6/519, 566, 323;  
220/485, 491, 573.1, 573.5, 759, 912;  
211/41.2, 57.1, 74, 85.4, 106, 181.1  
See application file for complete search history.

FIG. 1 is a front perspective view of a smoker showing my new design;  
FIG. 2 is a top plan view thereof;  
FIG. 3 is a front view thereof;  
FIG. 4 is a right side view thereof;  
FIG. 5 is a left side view thereof;  
FIG. 6 is a rear view thereof; and,  
FIG. 7 is a bottom view thereof.  
The broken lines are for environmental purposes only and form no part of the claimed design.

**1 Claim, 7 Drawing Sheets**



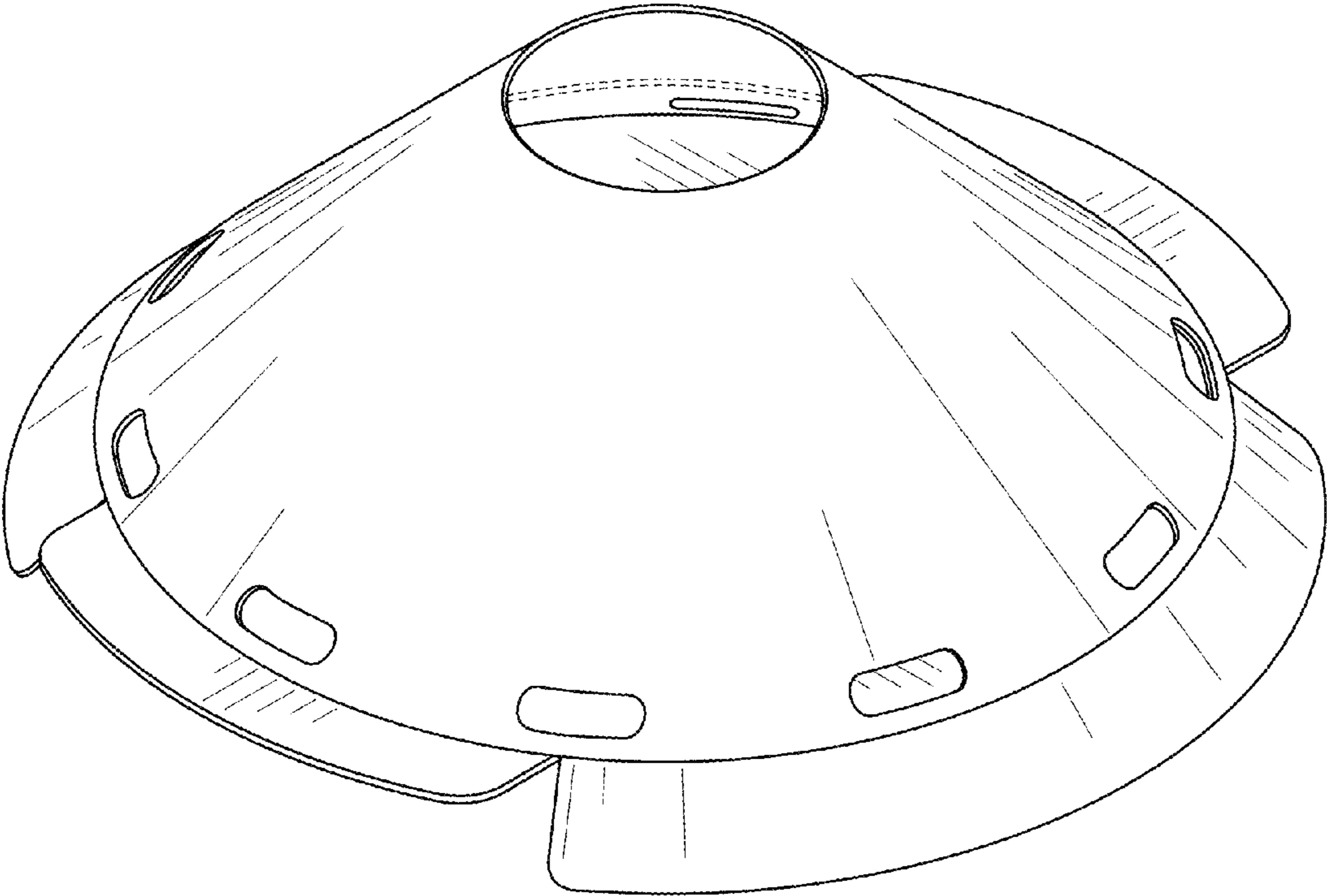


FIG. 1

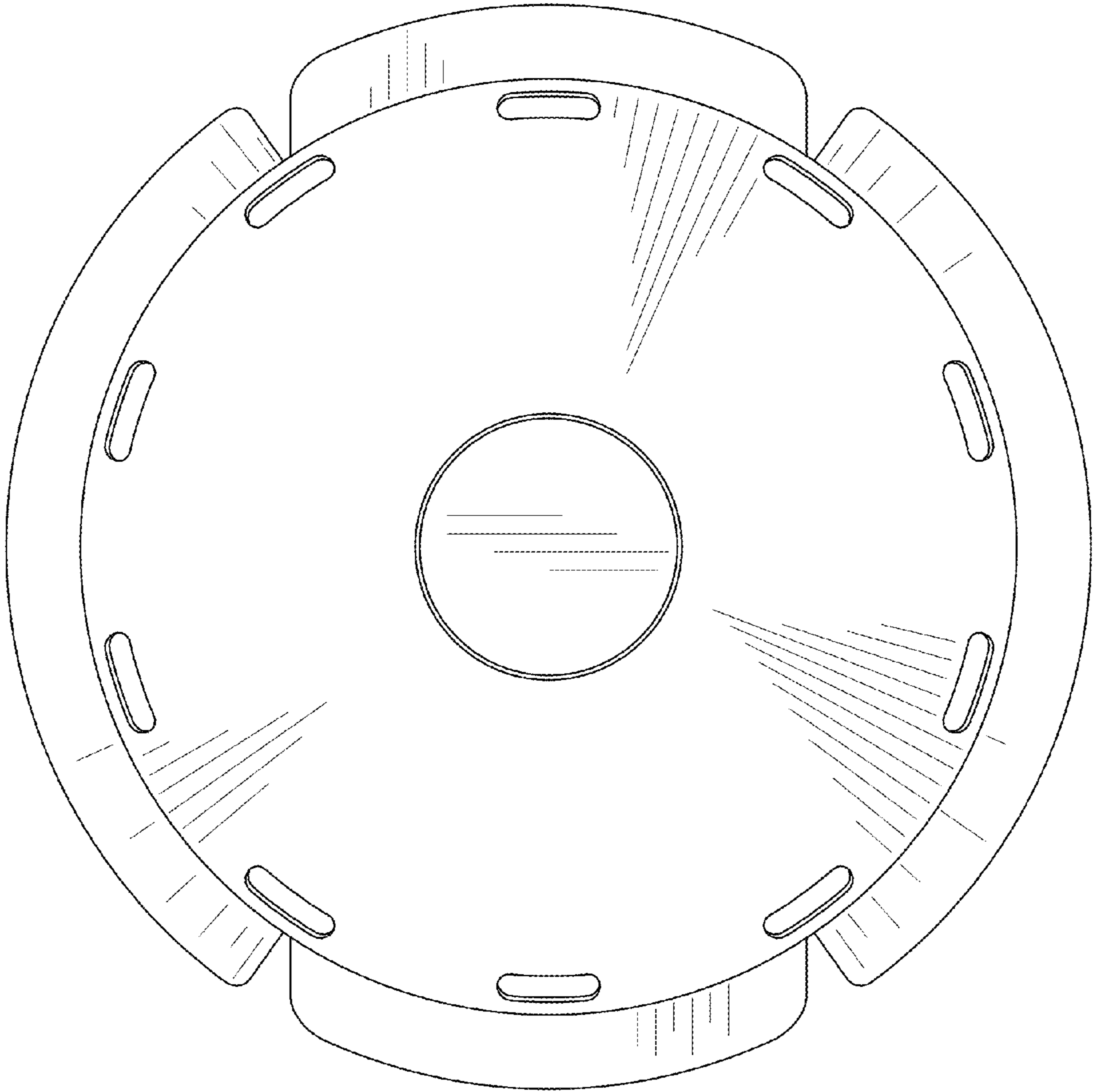


FIG. 2

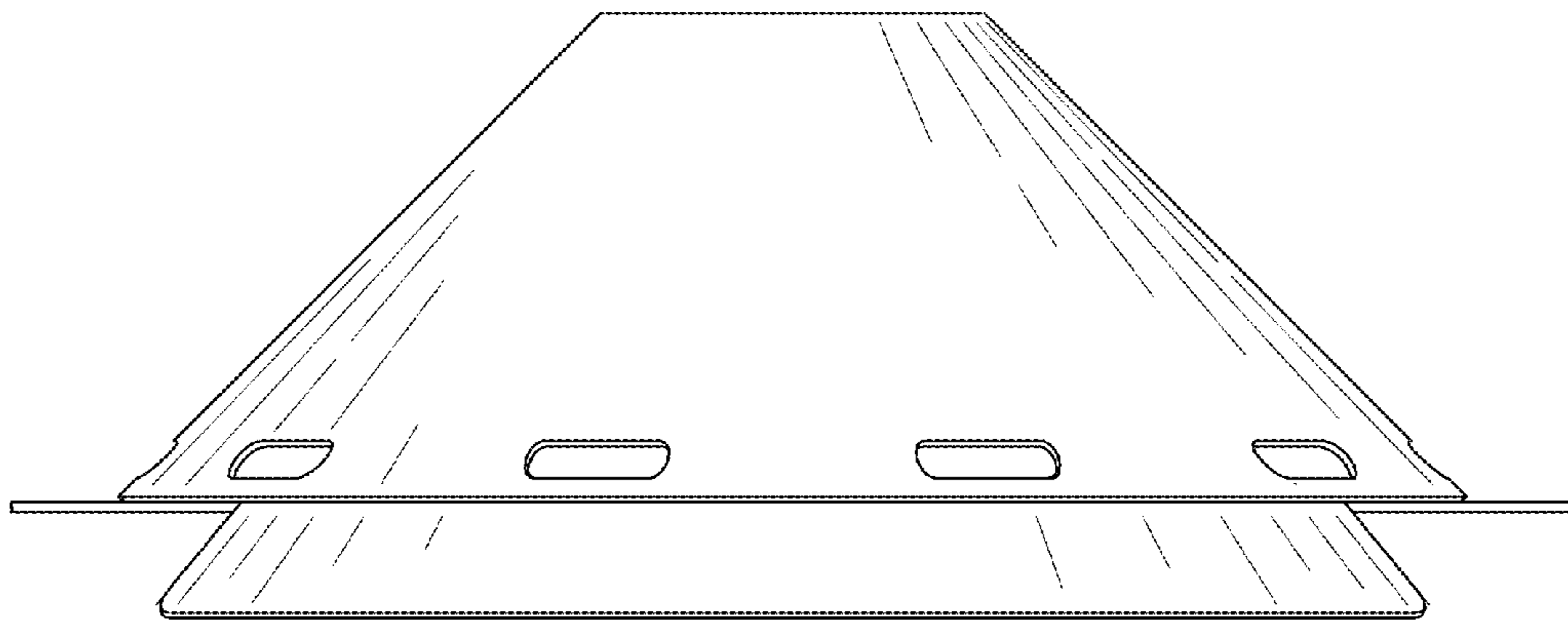


FIG. 3

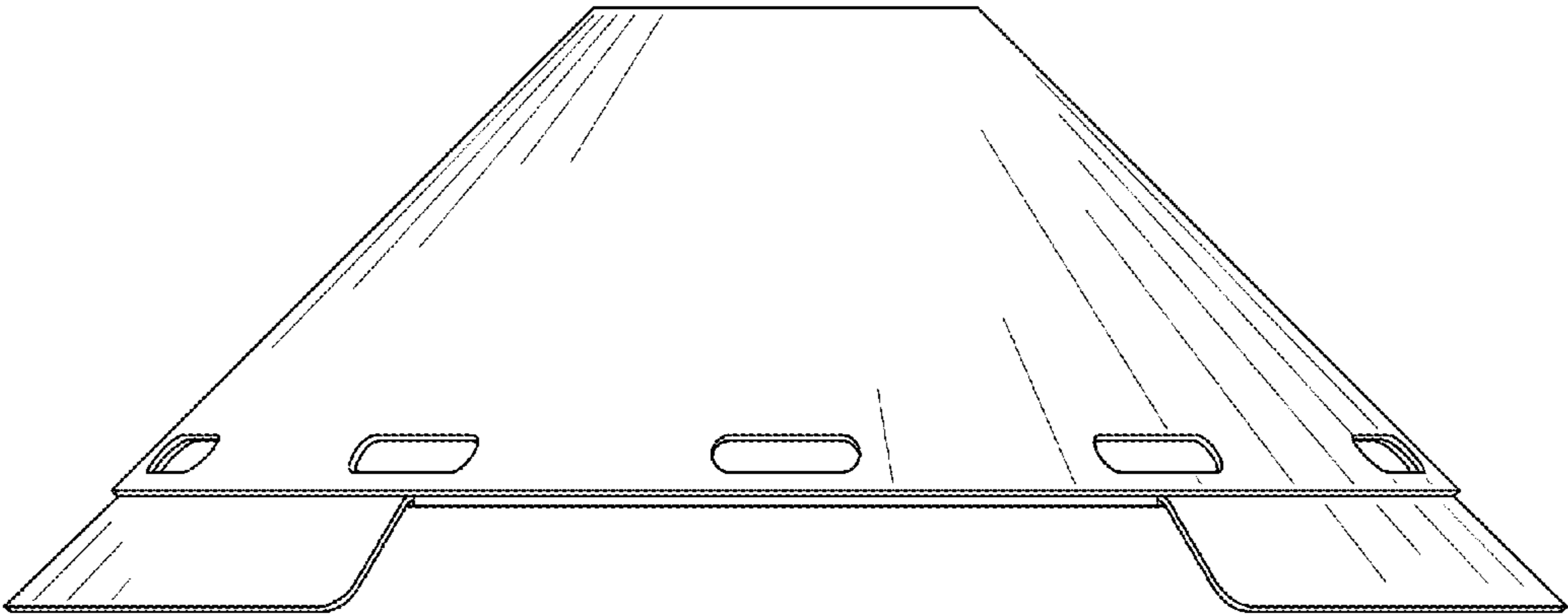


FIG. 4

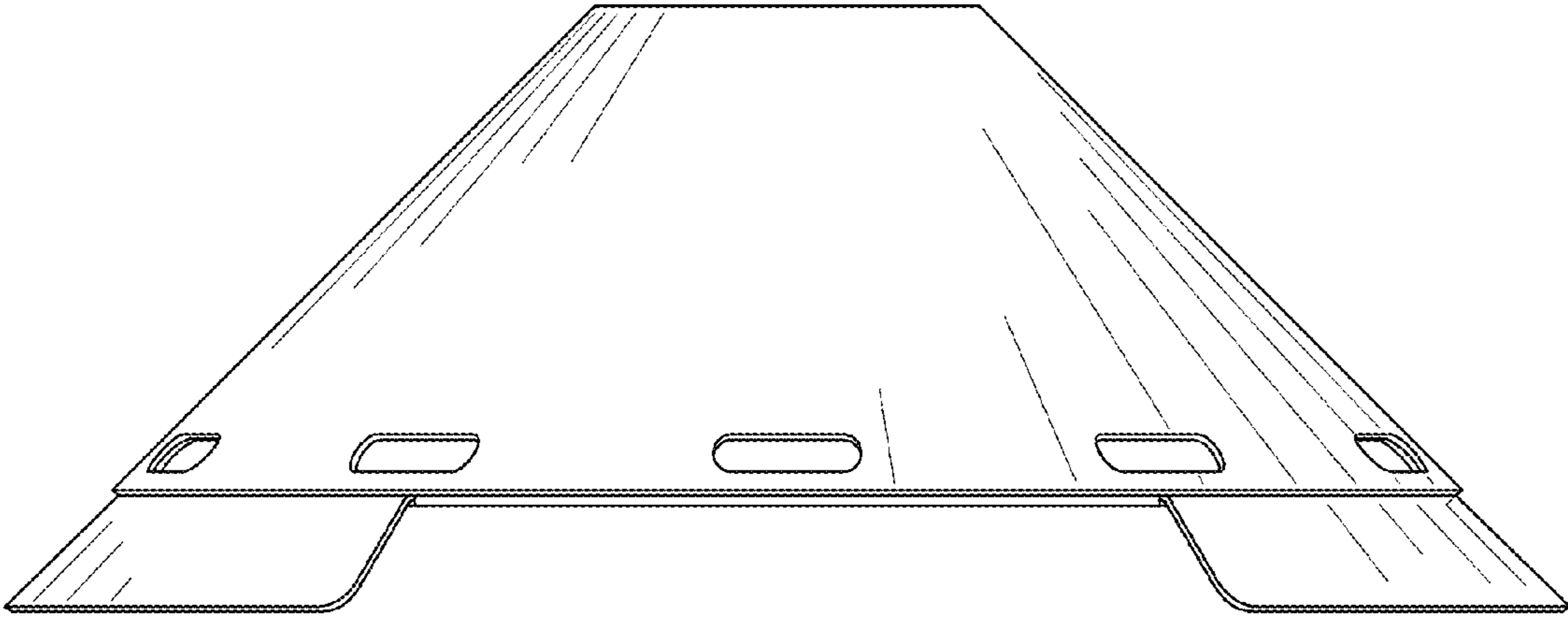


FIG. 5

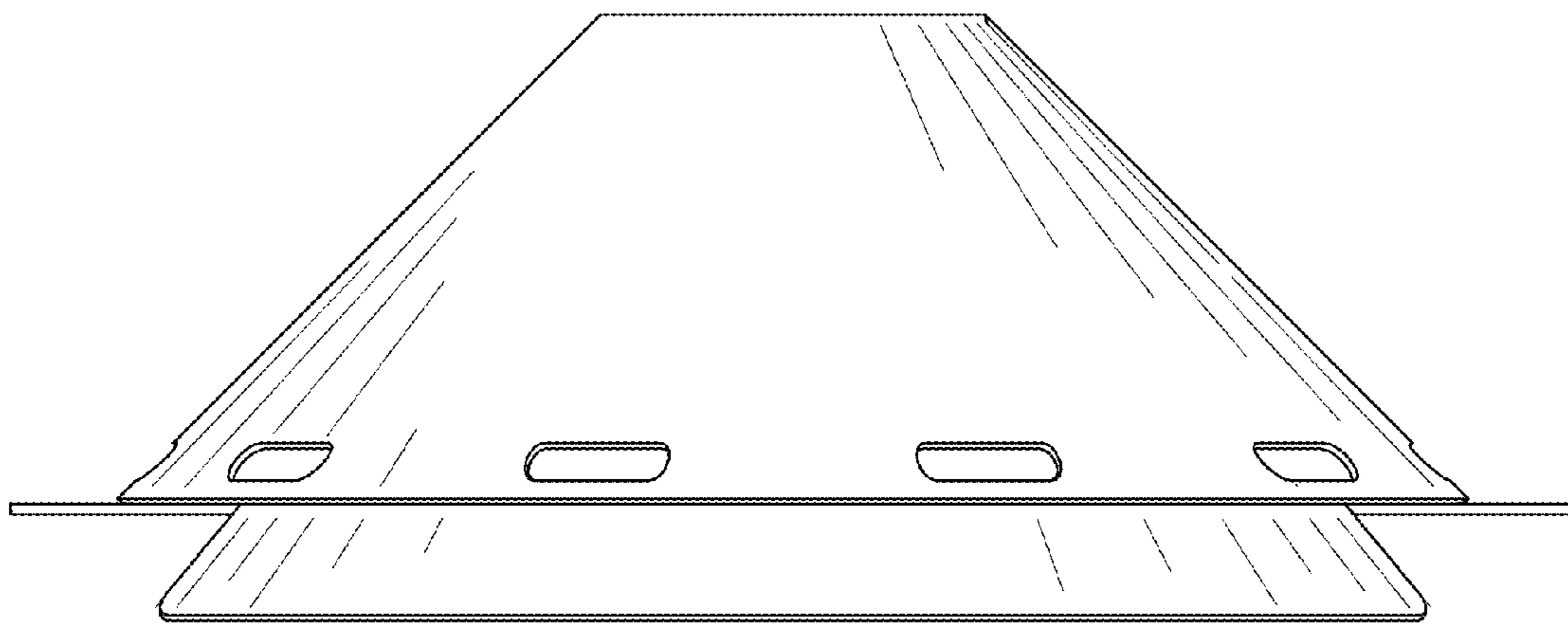


FIG. 6

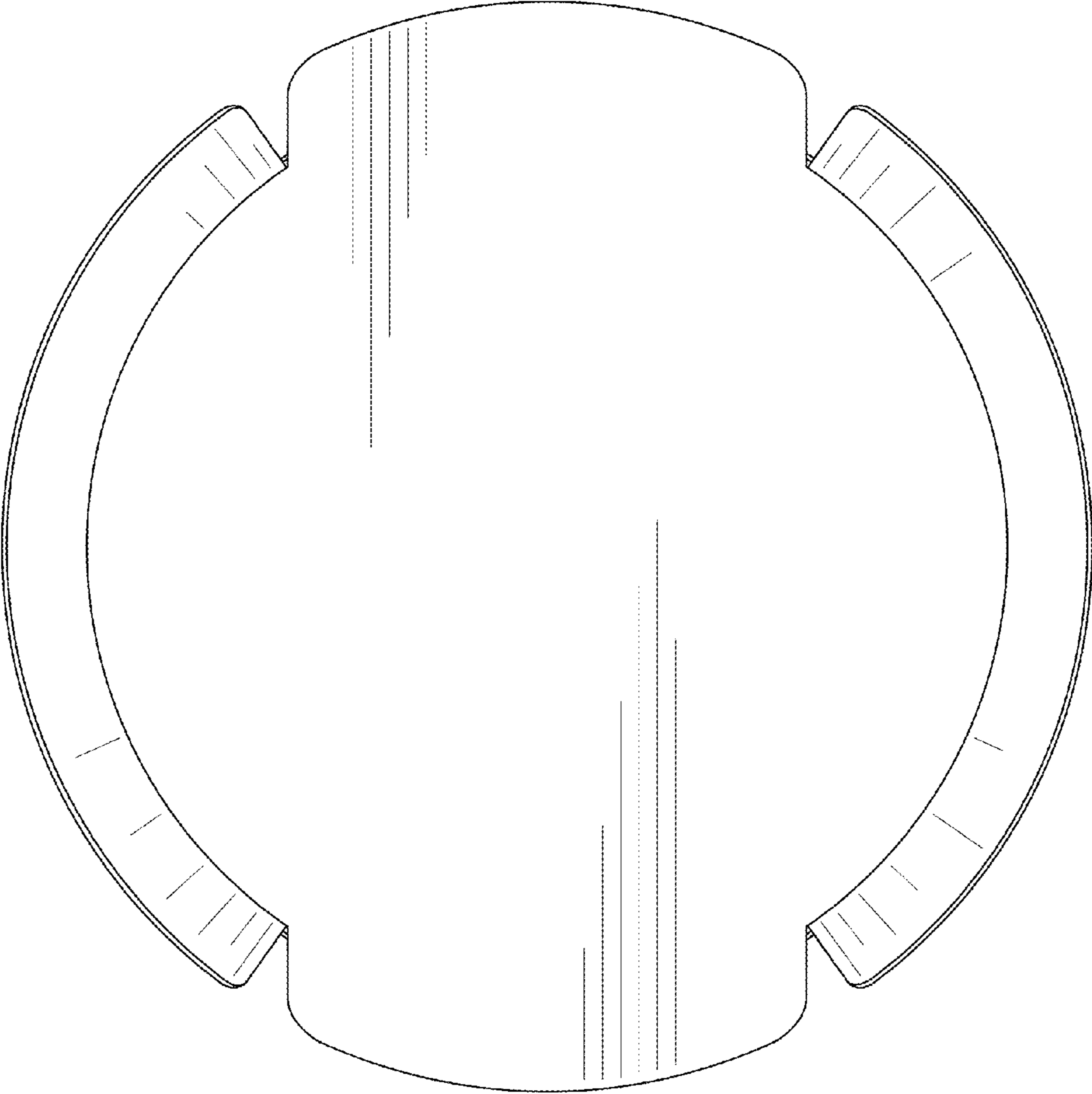


FIG. 7