



US00D761053S

(12) **United States Design Patent**
Rosati et al.

(10) **Patent No.:** **US D761,053 S**
(45) **Date of Patent:** **** Jul. 12, 2016**

(54) **BEVERAGE MAKER**

(56) **References Cited**

- (71) Applicant: **SPECTRUM BRANDS, INC.**,
Middleton, WI (US)
- (72) Inventors: **Daniele Rosati**, Verona, WI (US);
Francisco J. Barquin, Madison, WI
(US); **James Varney**, Maynard, MA
(US); **Christopher Terella**, Watertown,
MA (US)
- (73) Assignee: **SPECTRUM BRANDS, INC.**,
Middleton, WI (US)

U.S. PATENT DOCUMENTS

D328,218	S	*	7/1992	Pearce	D7/300
D332,199	S	*	1/1993	Pomeroy	D7/308
D344,206	S	*	2/1994	Azpiri	D7/309
D344,546	S	*	2/1994	Mustard	D14/307
D463,192	S	*	9/2002	Uneo	D7/300
D484,734	S	*	1/2004	Drobeck	D7/309
D666,864	S	*	9/2012	Dahlstrom	D7/309
D705,741	S	*	5/2014	Porter	D13/162
D732,331	S	*	6/2015	Tomasson	D7/306
D738,664	S	*	9/2015	Cha	D7/301

* cited by examiner

(**) Term: **14 Years**

Primary Examiner — Marianne Pandozzi

(21) Appl. No.: **29/509,790**

(74) *Attorney, Agent, or Firm* — Banner & Witcoff, Ltd.

(22) Filed: **Nov. 21, 2014**

(51) **LOC (10) Cl.** **07-99**

(52) **U.S. Cl.**
USPC **D7/397; D7/398; D13/164**

(58) **Field of Classification Search**
USPC D7/306-311, 305, 300, 313, 399, 398,
D7/397; 99/279, 284, 290, 280, 299, 307,
99/305, 295, 308, 309, 323.1, 395, 300;
222/23, 129.1; 62/395; D20/1;
D23/207, 209; D15/89; D13/162, 164
CPC A47J 31/44; A47J 31/00; B67D 1/0041;
B67D 3/00

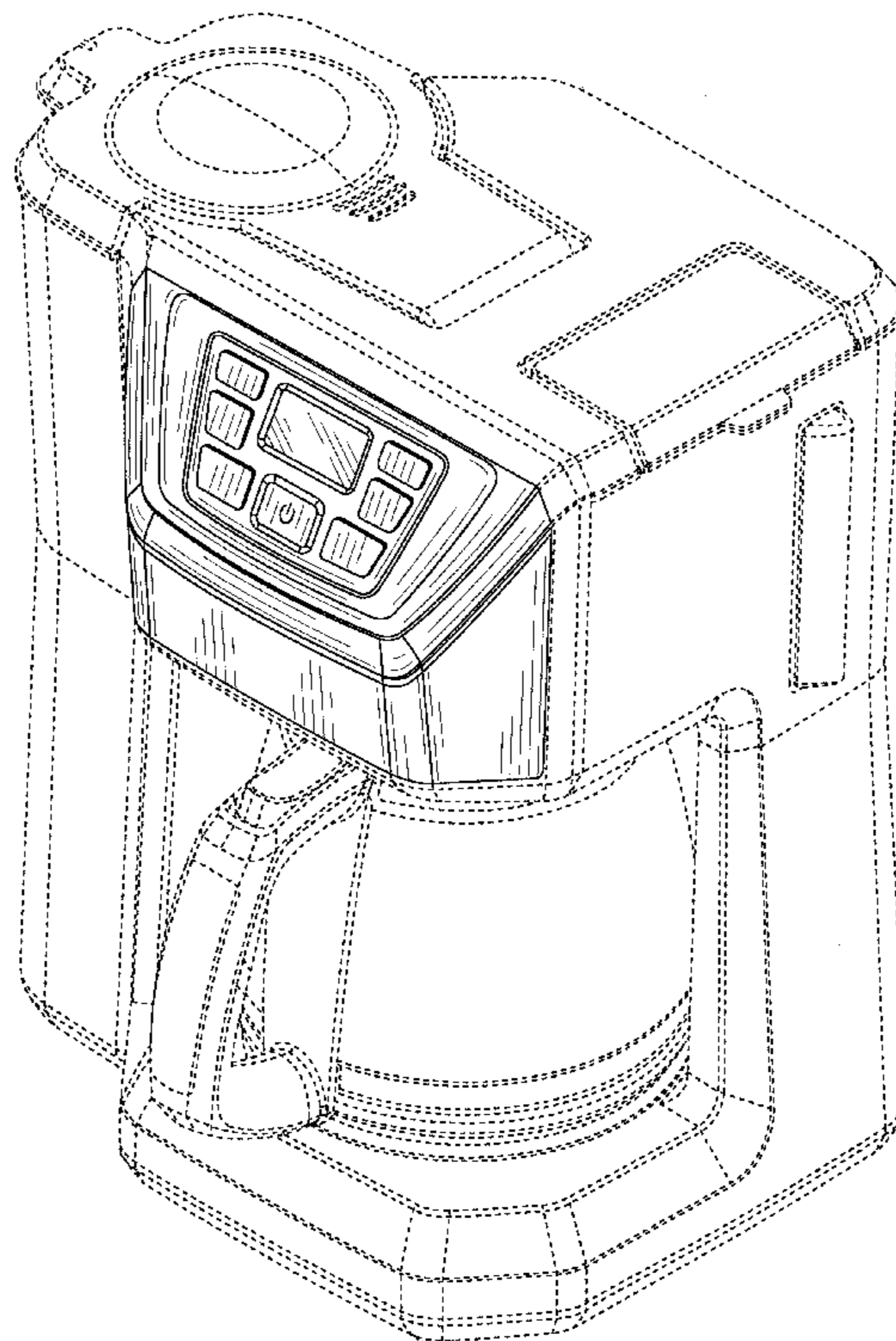
See application file for complete search history.

(57) **CLAIM**
What is claimed is the ornamental design for a beverage maker, as shown and described.

DESCRIPTION

FIG. 1 is a front perspective view of a beverage maker showing our new design;
FIG. 2 is a front view thereof;
FIG. 3 is a right side view thereof;
FIG. 4 is a left side view thereof; and,
FIG. 5 is a top plan view thereof.
The broken lines in the drawings depict portions of the beverage maker that form no part of the claimed design.

1 Claim, 5 Drawing Sheets



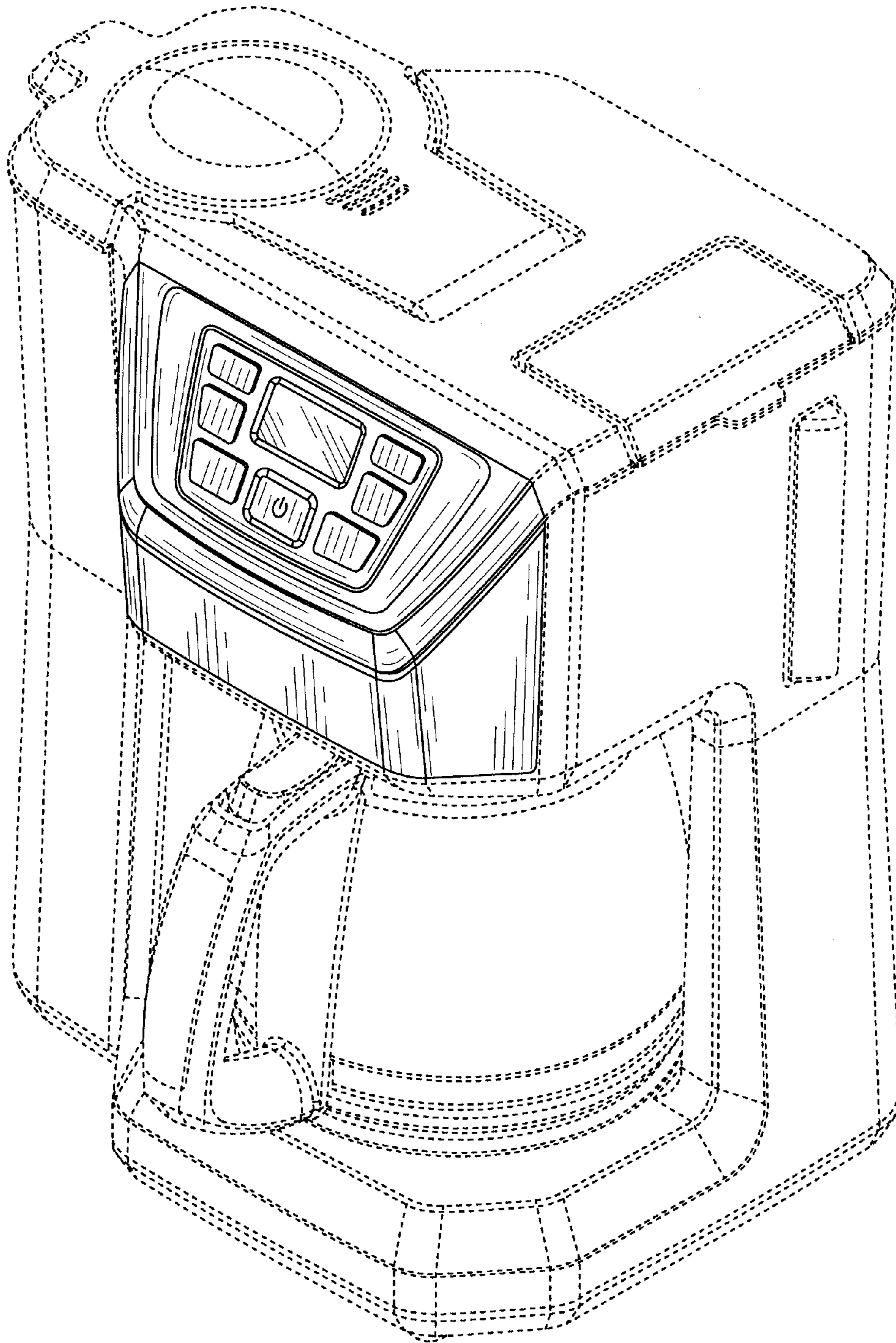


FIG. 1

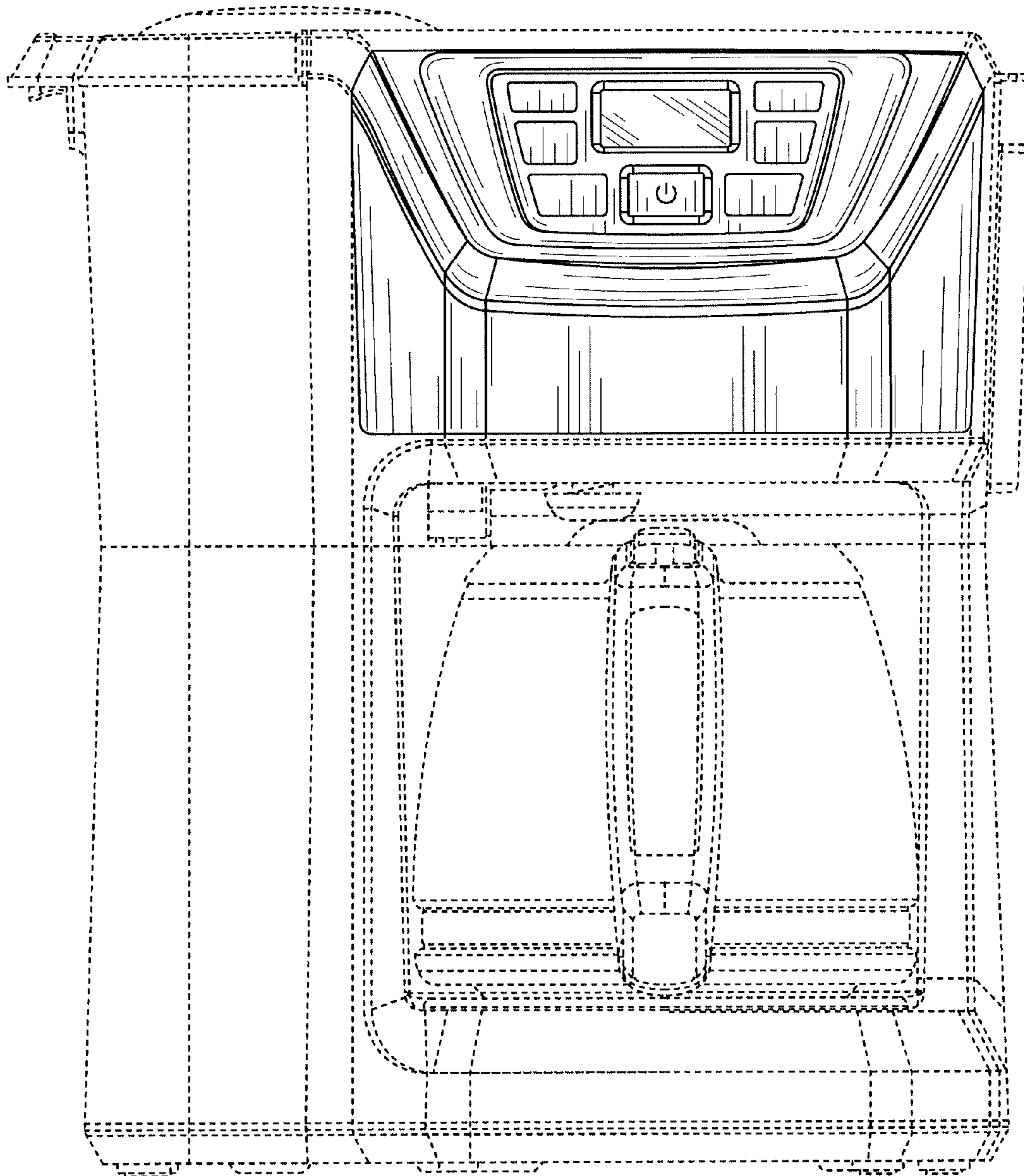


FIG. 2

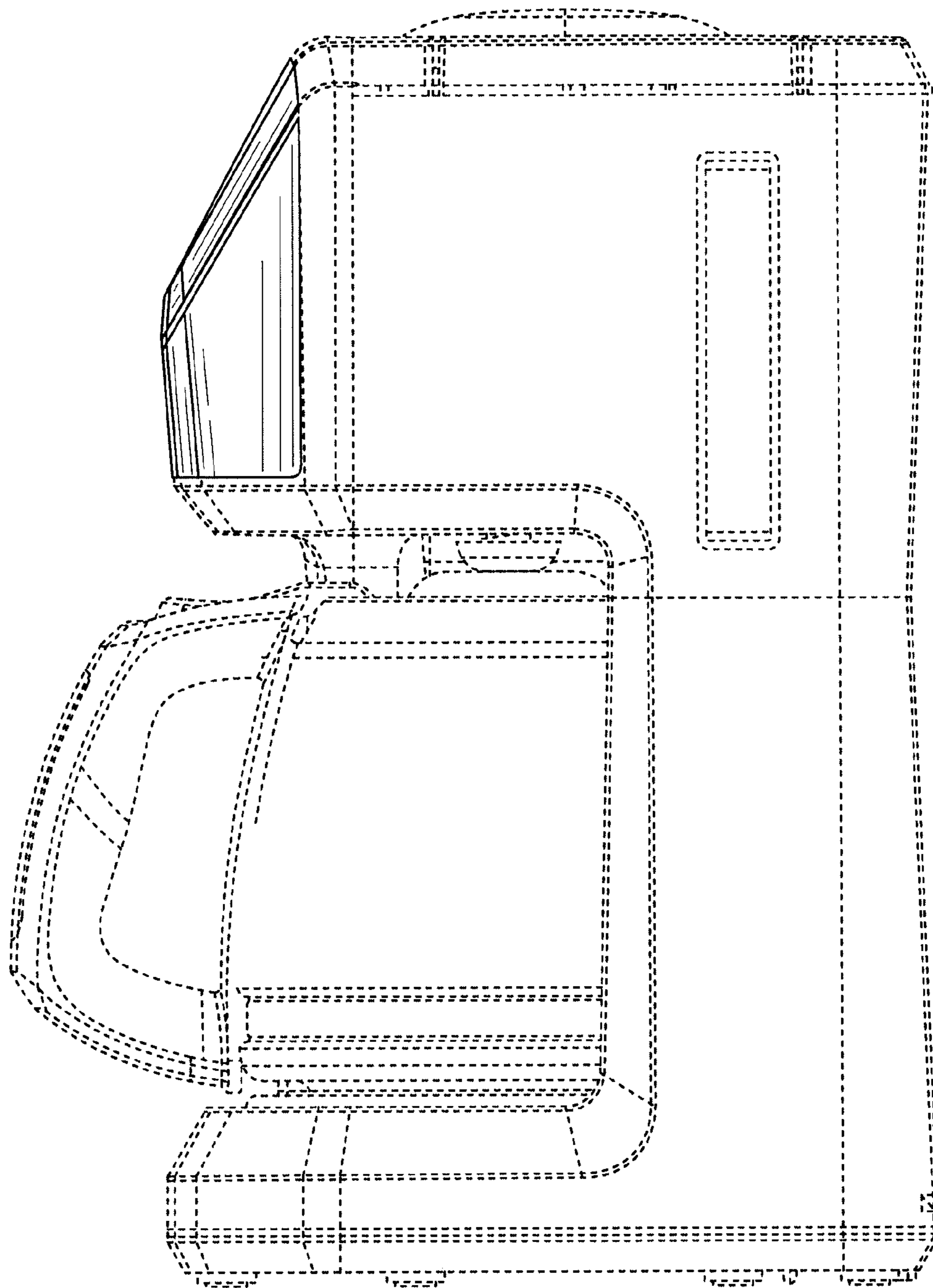


FIG. 3

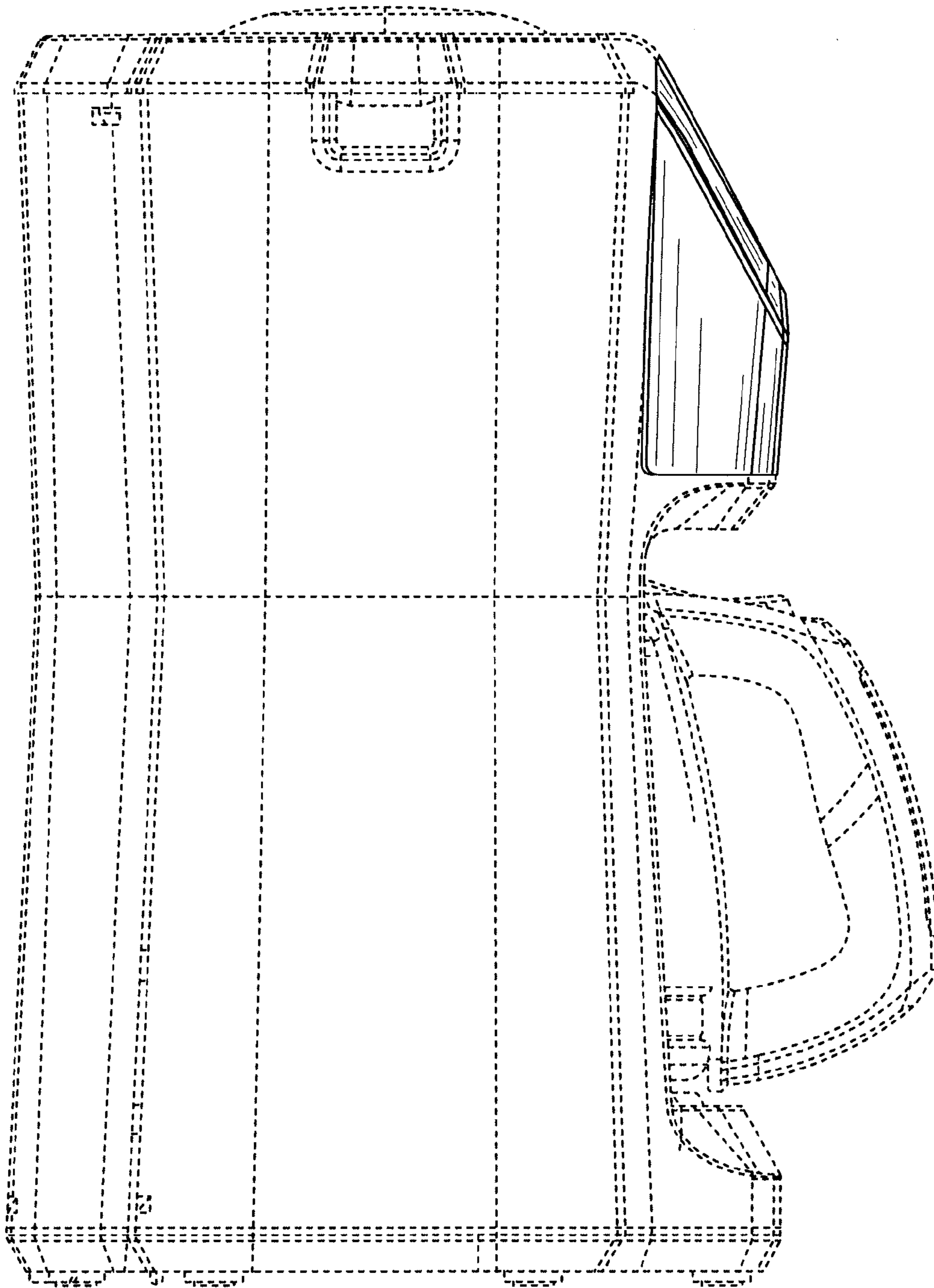


FIG. 4

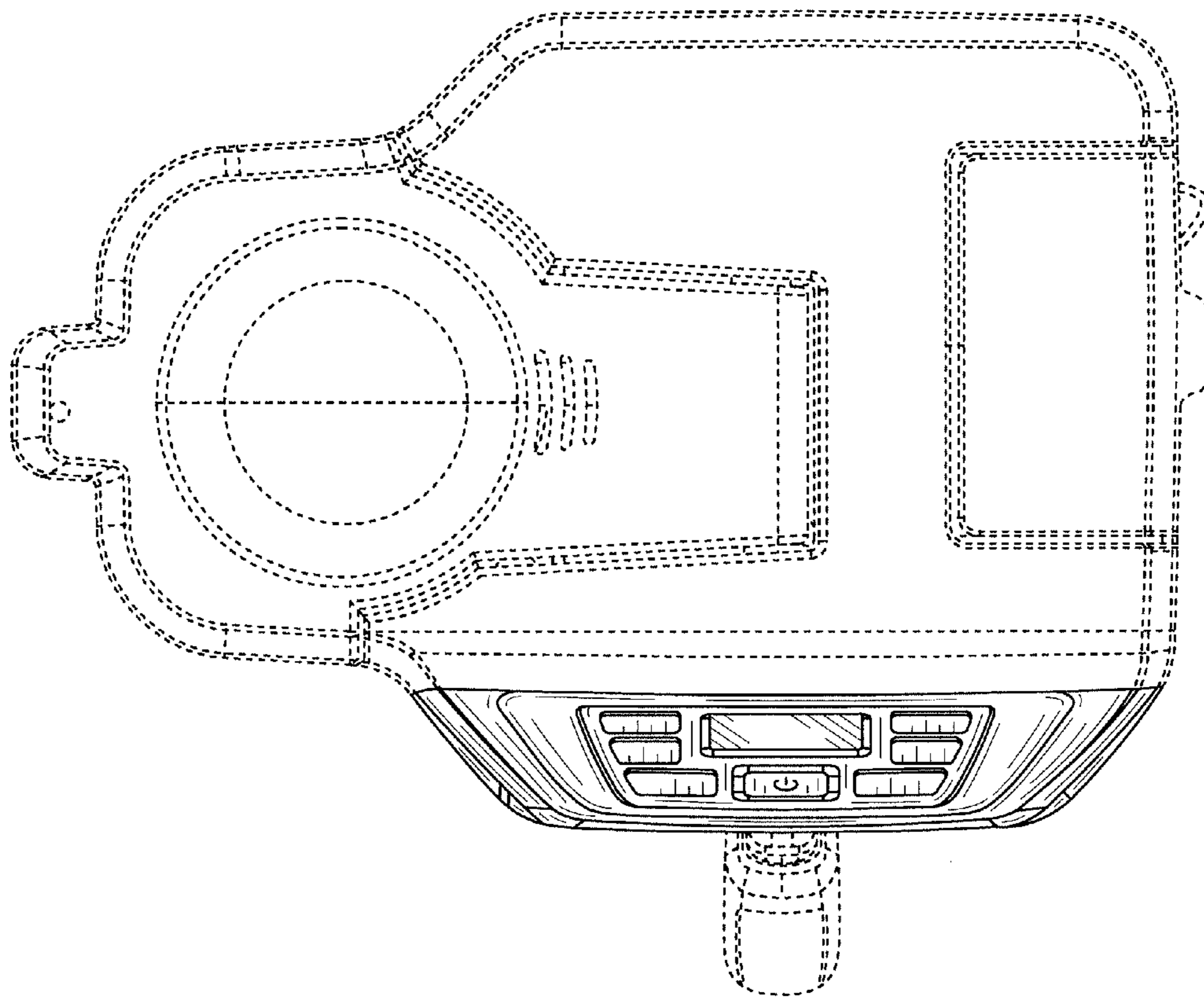


FIG. 5