



US00D761051S

(12) **United States Design Patent**
Bartoli et al.

(10) **Patent No.:** **US D761,051 S**
(45) **Date of Patent:** **** Jul. 12, 2016**

- (54) **COFFEE MACHINE**
- (71) Applicant: **Sarong Societa' per Azioni**, Reggio Iolo (IT)
- (72) Inventors: **Andrea Bartoli**, Reggio Emilia (IT);
Davide Capitini, Reggio Emilia (IT);
Alessandro Grillenzoni, Campogalliano (IT)
- (73) Assignee: **Sarong Societa'per Azioni** (IT)
- (**) Term: **15 Years**
- (21) Appl. No.: **29/530,783**
- (22) Filed: **Jun. 19, 2015**

Related U.S. Application Data

- (62) Division of application No. 29/488,268, filed on Apr. 17, 2014, now Pat. No. Des. 742,679.

(30) **Foreign Application Priority Data**

- Oct. 17, 2013 (EM) 002328690-0001
- Oct. 17, 2013 (EM) 002328690-0002
- Oct. 17, 2013 (EM) 002328690-0003

(51) **LOC (10) Cl.** **07-01**

(52) **U.S. Cl.**
USPC **D7/309; D7/311**

(58) **Field of Classification Search**
USPC D7/306-311, 305, 300, 399; 99/279,
99/284, 290, 280, 299, 307; 222/23
CPC A47J 31/44; A47J 31/047
See application file for complete search history.

(56) **References Cited**

U.S. PATENT DOCUMENTS

- D207,526 S 4/1967 Martin
- D218,191 S * 7/1970 Tevolitz D7/309

- 3,592,125 A * 7/1971 Tolmie A47J 31/0573
392/467
- D240,386 S * 7/1976 Stuetzer D7/309
- 4,721,034 A * 1/1988 Shimomura A47J 31/047
99/280
- D300,106 S 3/1989 Paulin
- 4,852,474 A 8/1989 Mahlich et al.
- 4,882,983 A * 11/1989 Pastrick A47J 31/0615
99/295
- D307,754 S * 5/1990 Osrow D15/82
- D379,049 S 5/1997 Amiel
- D382,437 S * 8/1997 Amiel D7/309
- D414,647 S * 10/1999 Driscoll D7/309
- D423,862 S * 5/2000 Mravlja, Jr. D7/305
- D431,145 S * 9/2000 Woebcke D7/306
- D489,214 S * 5/2004 Noda D7/309
- D507,449 S 7/2005 Burton et al.
- 7,089,849 B2 8/2006 Chen et al.
- D552,402 S * 10/2007 Schwamkrug D7/309
- D560,950 S 2/2008 Schwamkrug

(Continued)

Primary Examiner — Marianne Pandozzi

(74) *Attorney, Agent, or Firm* — Laubscher, Spendlove & Laubscher, P.C.

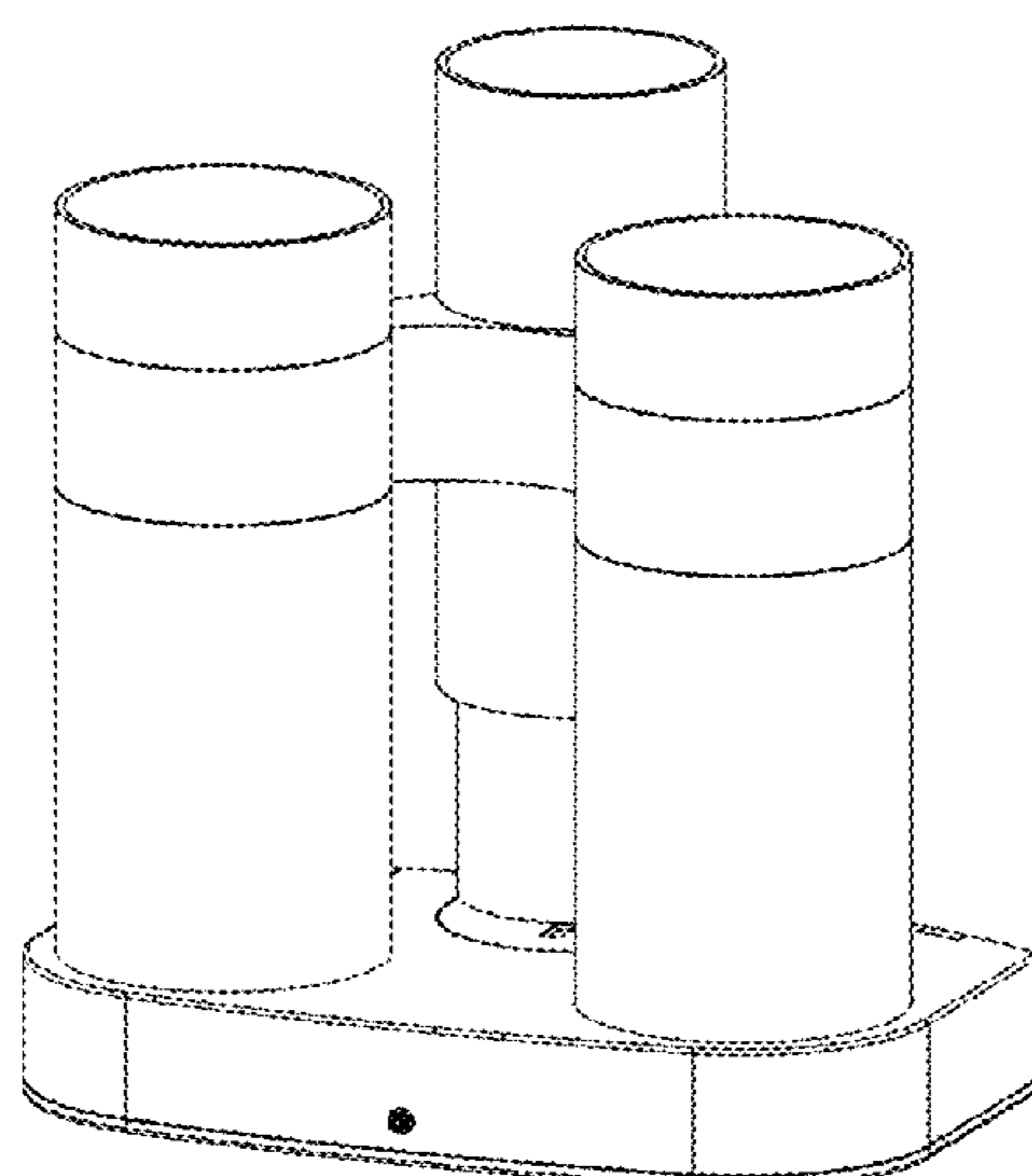
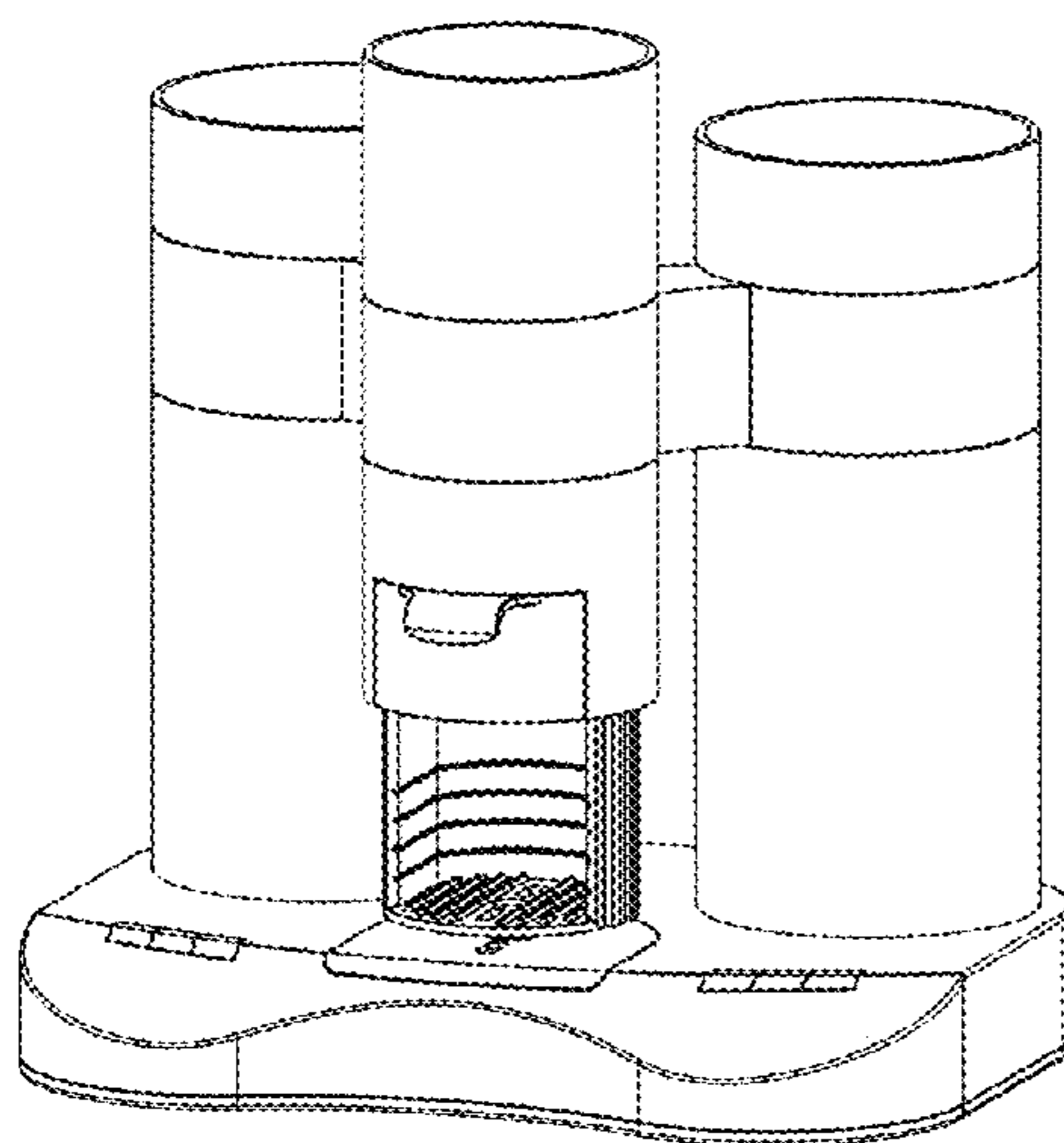
(57) **CLAIM**

The ornamental design for a coffee machine, as shown and described.

DESCRIPTION

FIG. 1 is a front perspective view of a coffee machine showing our new design;
FIG. 2 is rear perspective view of the embodiment of FIG. 1;
FIG. 3 is a front elevation view of the embodiment of FIG. 1;
FIG. 4 is a rear elevation view of the embodiment of FIG. 1;
FIG. 5 is a top elevation view of the embodiment of FIG. 1;
FIG. 6 is a right side elevation view of the embodiment of FIG. 1; and,
FIG. 7 is a left side elevation view of the embodiment of FIG. 1.

1 Claim, 4 Drawing Sheets



US D761,051 S

Page 2

(56)

References Cited

U.S. PATENT DOCUMENTS

7,565,860 B1 7/2009 Liu
D600,967 S 9/2009 Cahen

D610,857 S 3/2010 Pateman et al.
D718,972 S 12/2014 Jorgensen
D742,679 S * 11/2015 Bartoli D7/309

* cited by examiner

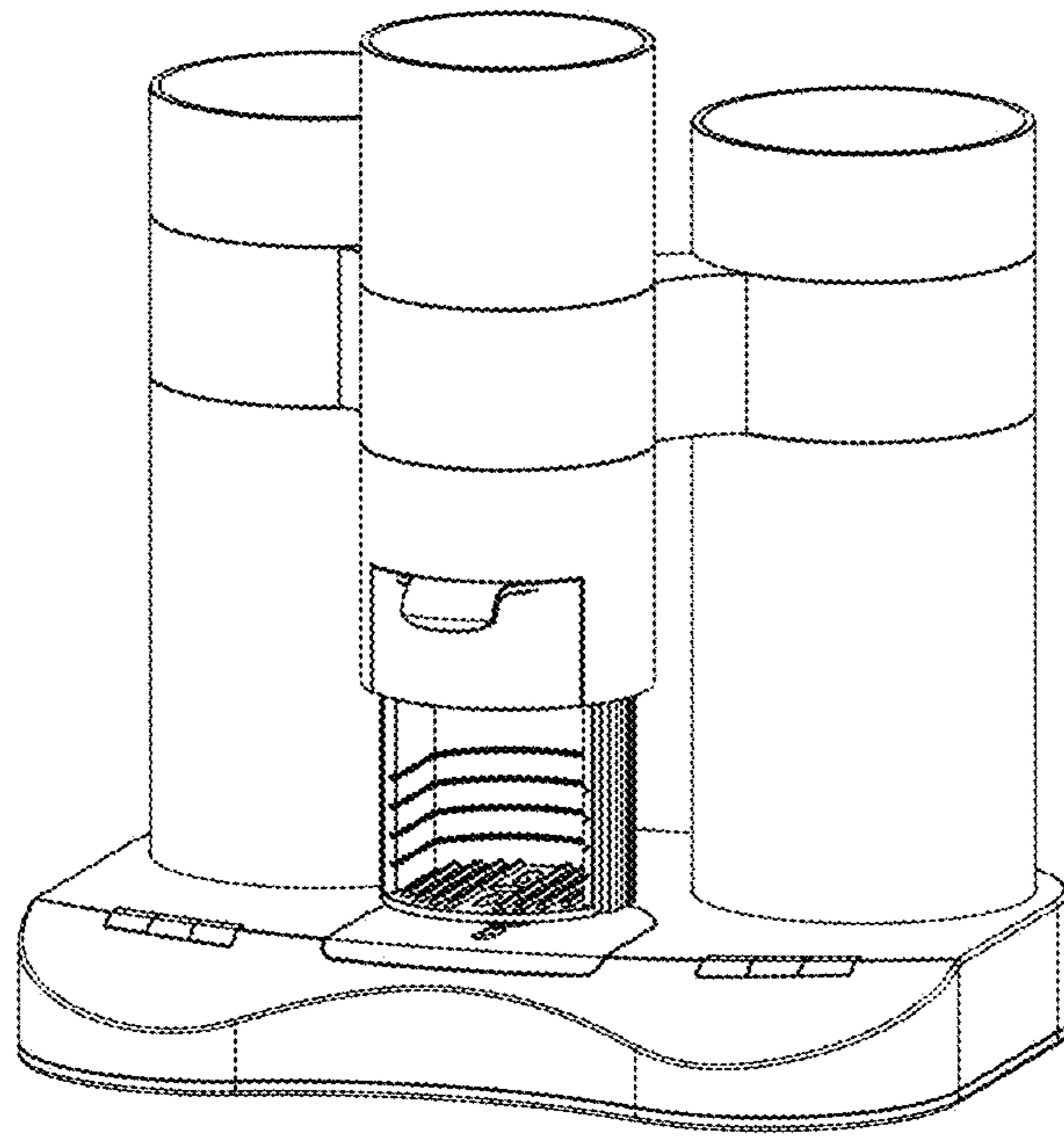


FIG. 1

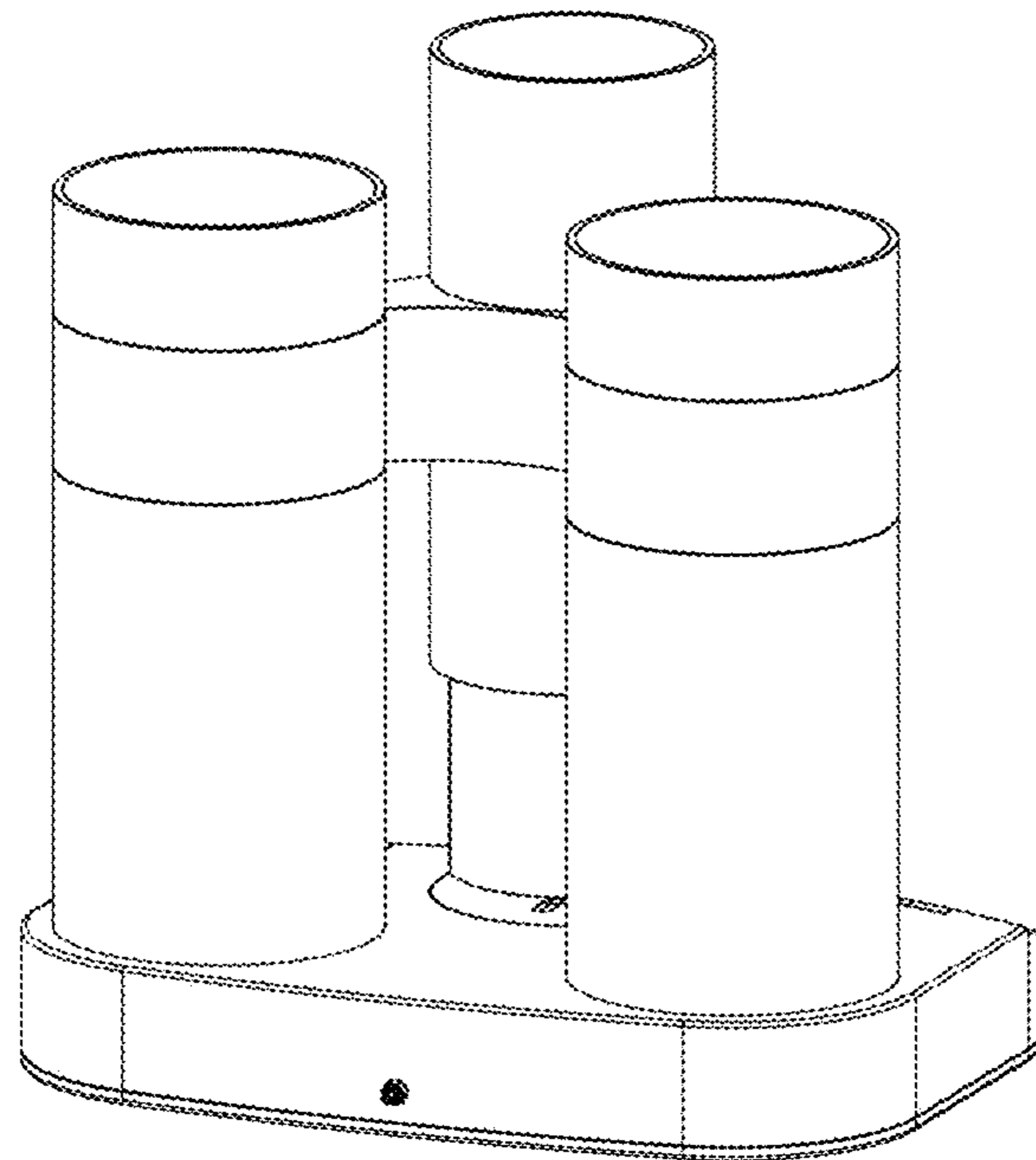


FIG. 2

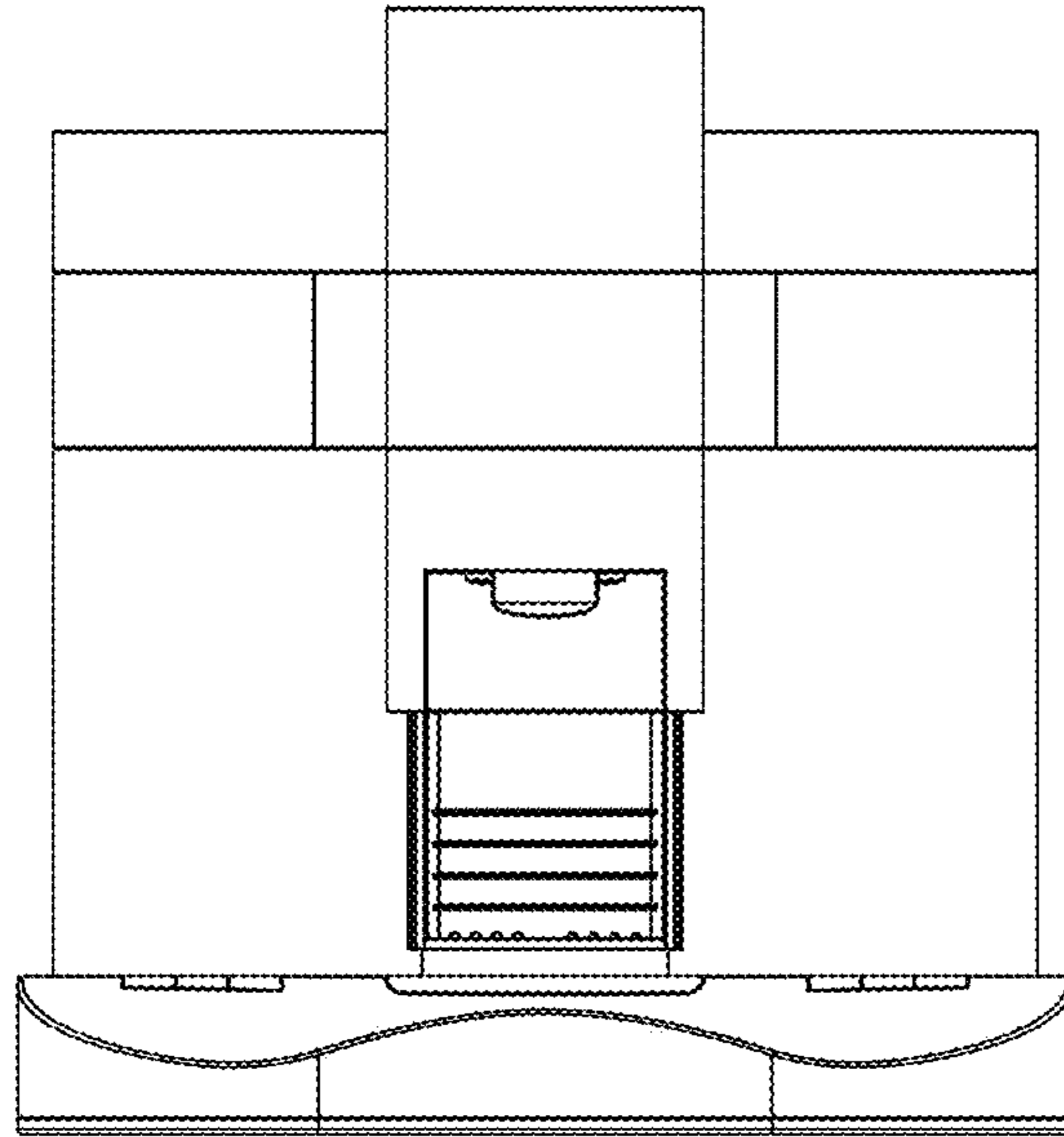


FIG. 3

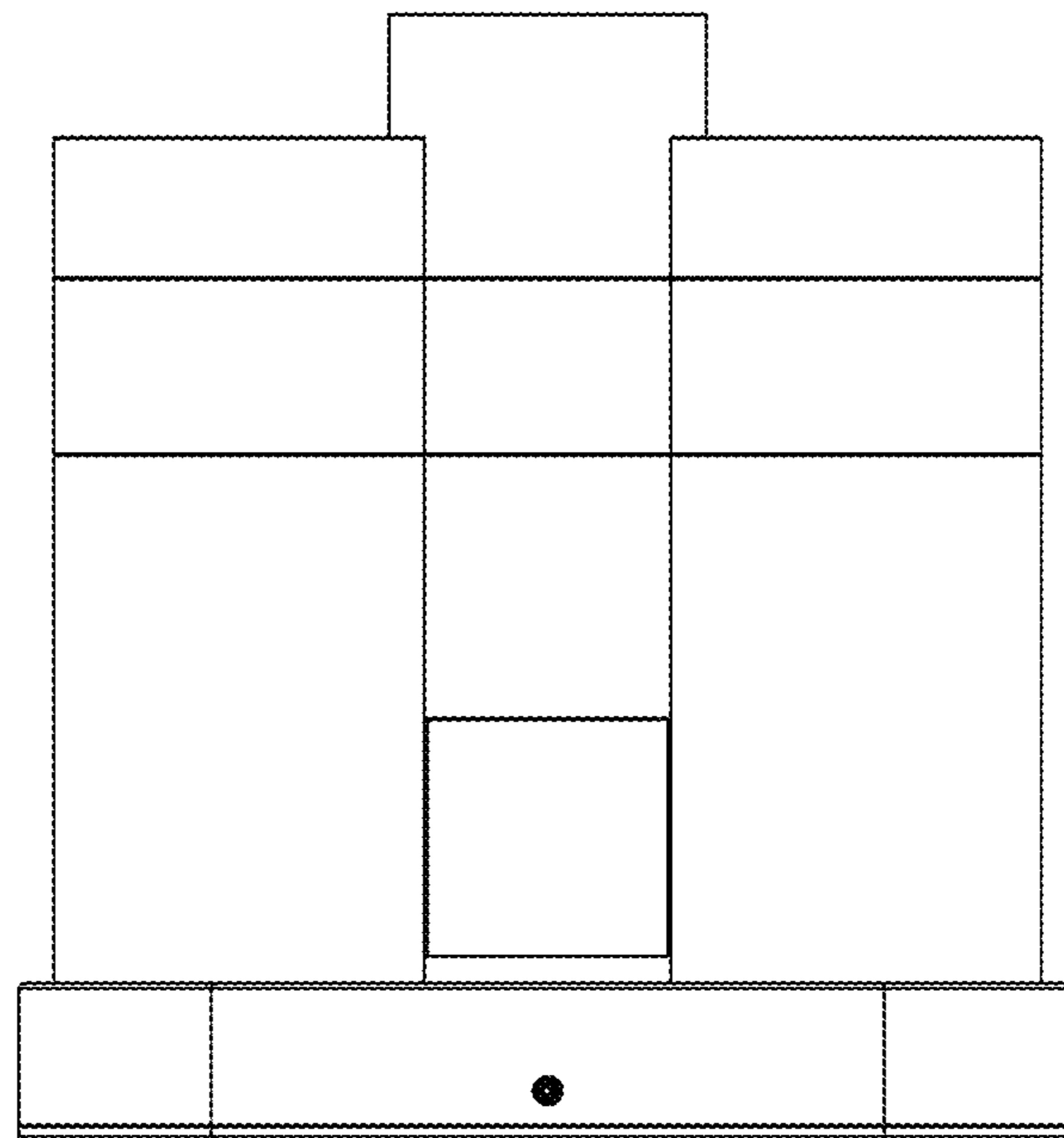


FIG. 4

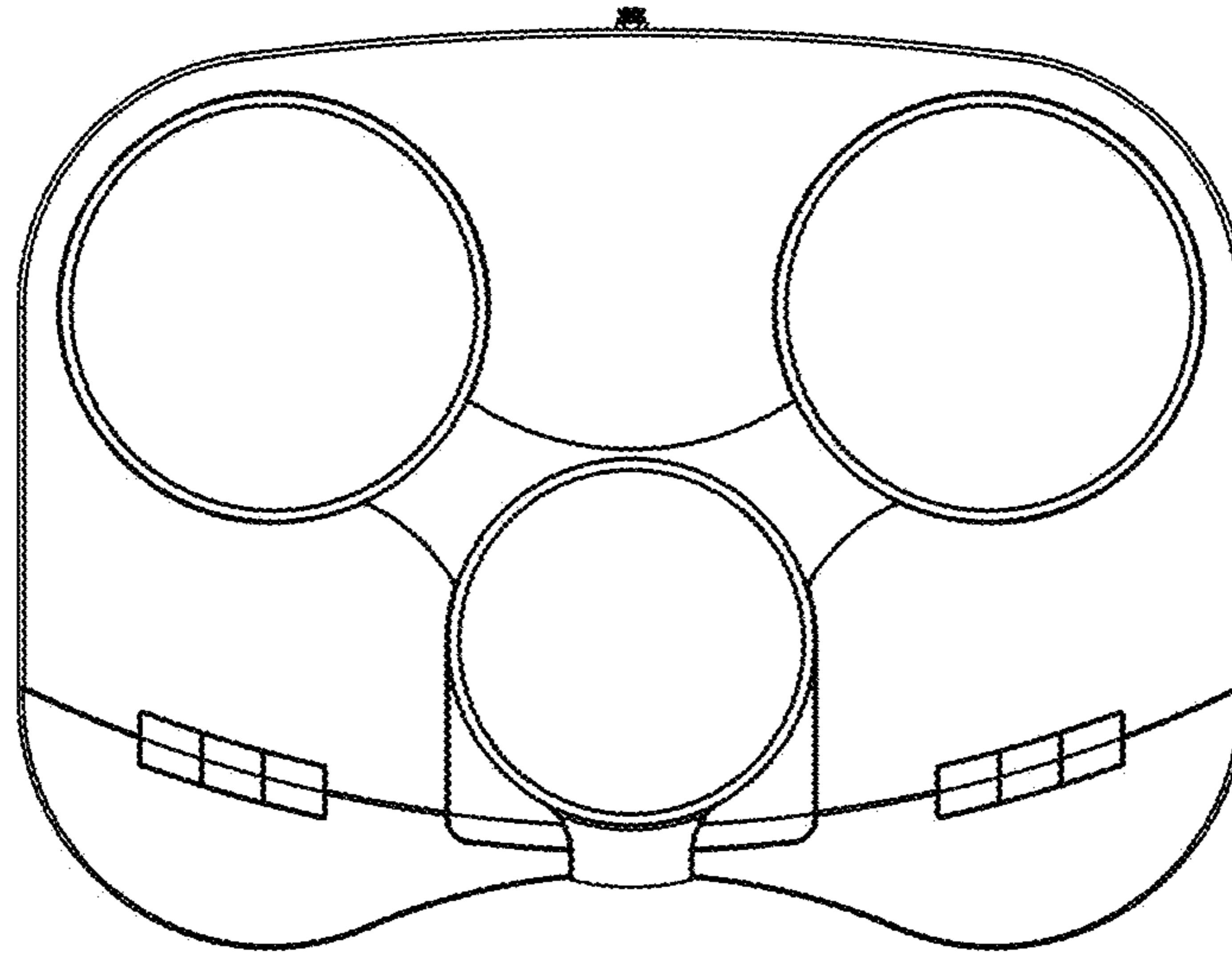


FIG. 5

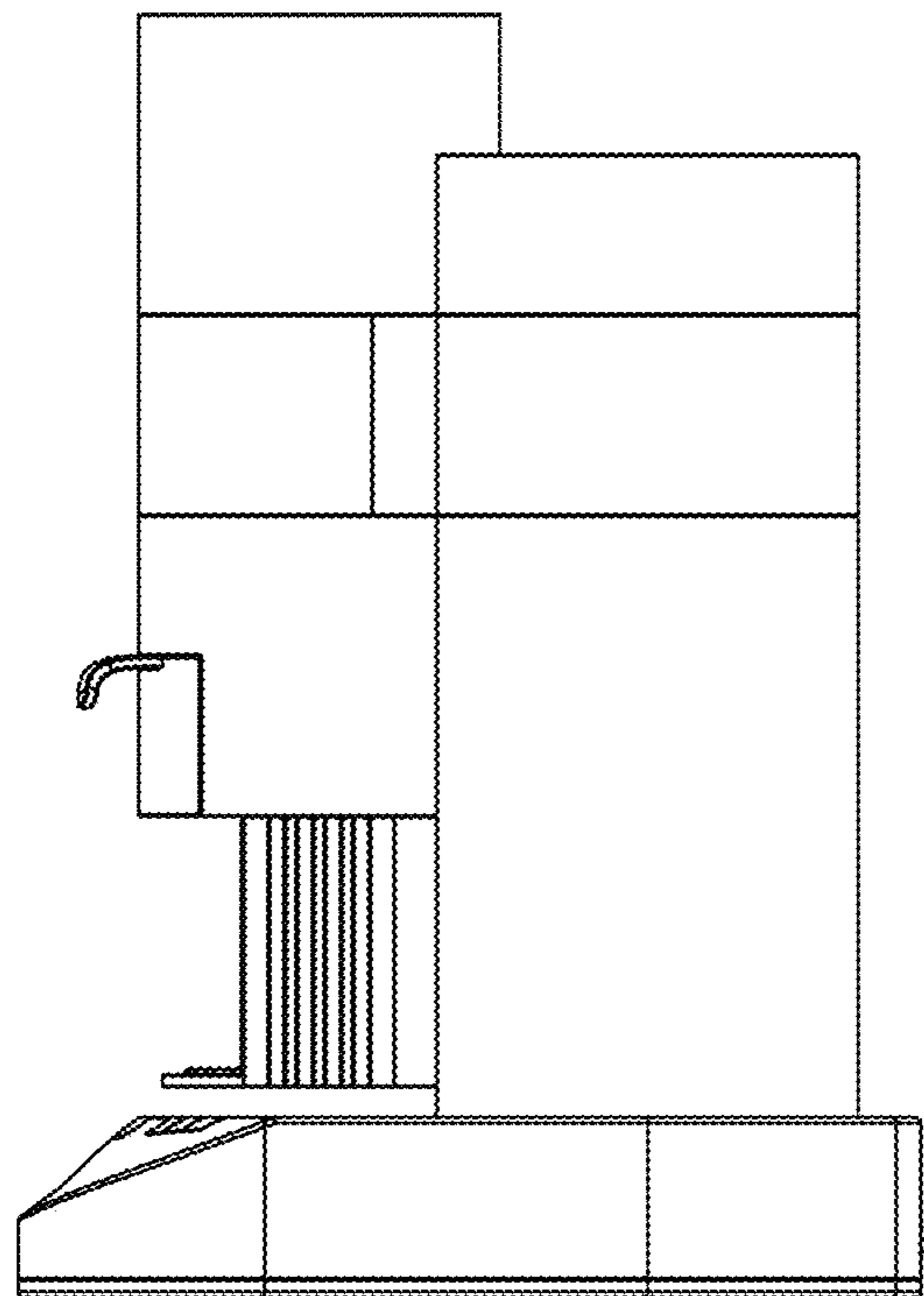


FIG. 6

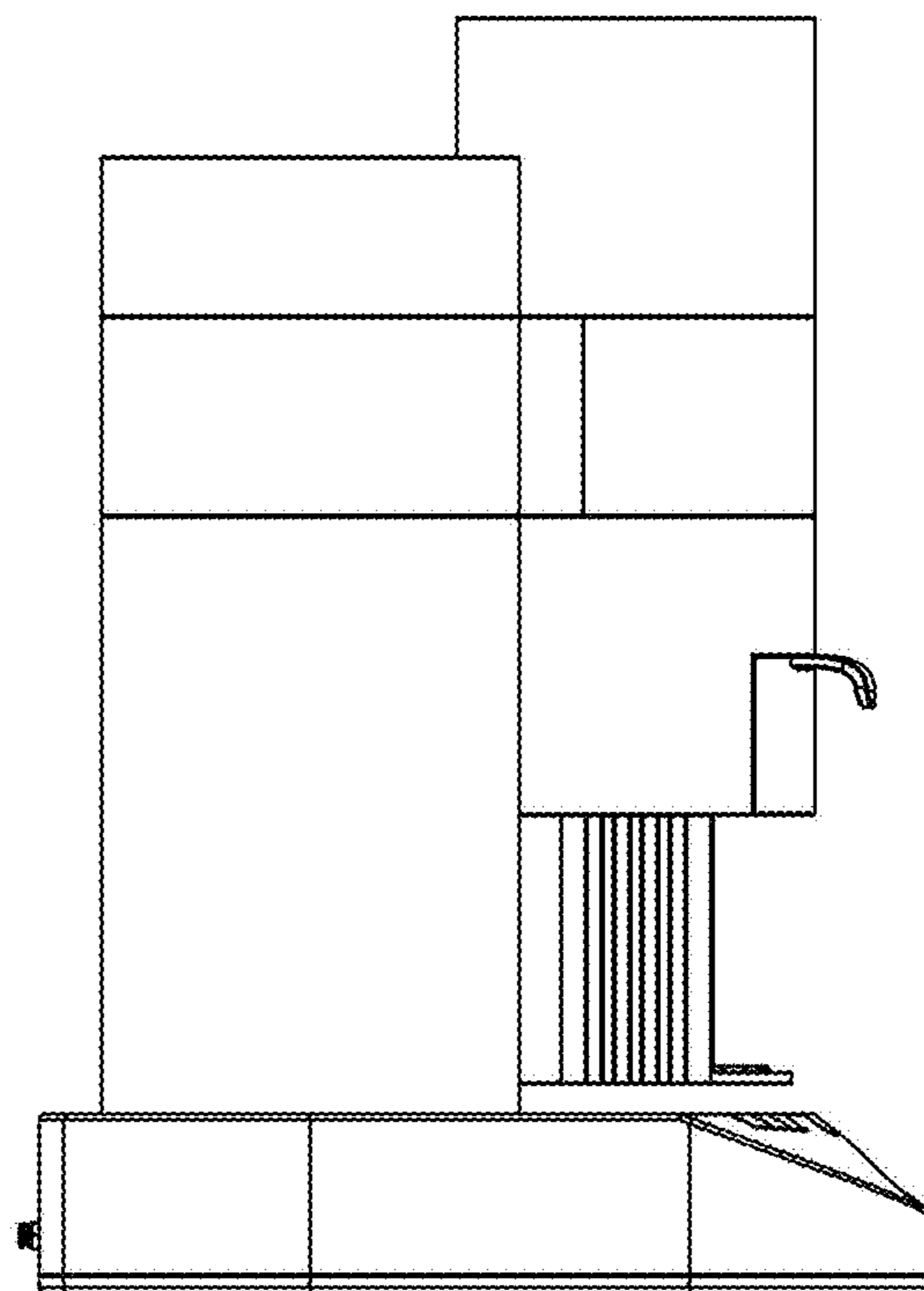


FIG. 7