



US00D761048S

(12) **United States Design Patent**
Behar et al.

(10) **Patent No.:** **US D761,048 S**
(45) **Date of Patent:** **** Jul. 12, 2016**

(54) **CHAIR**

(71) Applicant: **Herman Miller, Inc.**, Zeeland, MI (US)

(72) Inventors: **Yves Behar**, San Francisco, CA (US);
Qin Li, South San Francisco, CA (US);
Naoya Edahiro, San Francisco, CA
(US); **Noah Murphy-Reinhertz**, San
Francisco, CA (US); **Diana Chang**, San
Francisco, CA (US); **Matthew Malone**,
San Francisco, CA (US); **Casey Doran**
Lewis, Highland, UT (US)

(73) Assignee: **Herman Miller, Inc.**, Zeeland, MI (US)

(**) Term: **15 Years**

(21) Appl. No.: **29/542,349**

(22) Filed: **Oct. 13, 2015**

Related U.S. Application Data

(62) Division of application No. 29/450,168, filed on Mar.
15, 2013, now Pat. No. Des. 743,712.

(51) **LOC (10) Cl.** **06-01**

(52) **U.S. Cl.**
USPC **D6/716**

(58) **Field of Classification Search**
USPC D6/334-336, 364, 371, 373, 374, 381,
D6/716, 716.1, 716.2, 716.3, 716.4
CPC A47C 7/18; A47C 7/24; A47C 4/028;
A47C 5/06

See application file for complete search history.

(56) **References Cited**

U.S. PATENT DOCUMENTS

599,430 A 2/1898 Thom
879,803 A 2/1908 Vlasak
1,231,303 A 6/1917 Seligman
1,325,630 A 12/1919 Fair

(Continued)

FOREIGN PATENT DOCUMENTS

EP 1366951 A2 12/2003
EP 1075810 A1 10/2005
WO 2009052656 A1 4/2009

OTHER PUBLICATIONS

“Architecture and Interior Exterior Design, Bathroom, Kitchen, Bed-
room, Living Room, Lighting, Furniture etc.,” www.panguripans.
com, Jan. 2011, retrieved May 9, 2012 (5 pages).

(Continued)

Primary Examiner — Mimosa De

(74) *Attorney, Agent, or Firm* — Michael Best & Friedrich
LLP

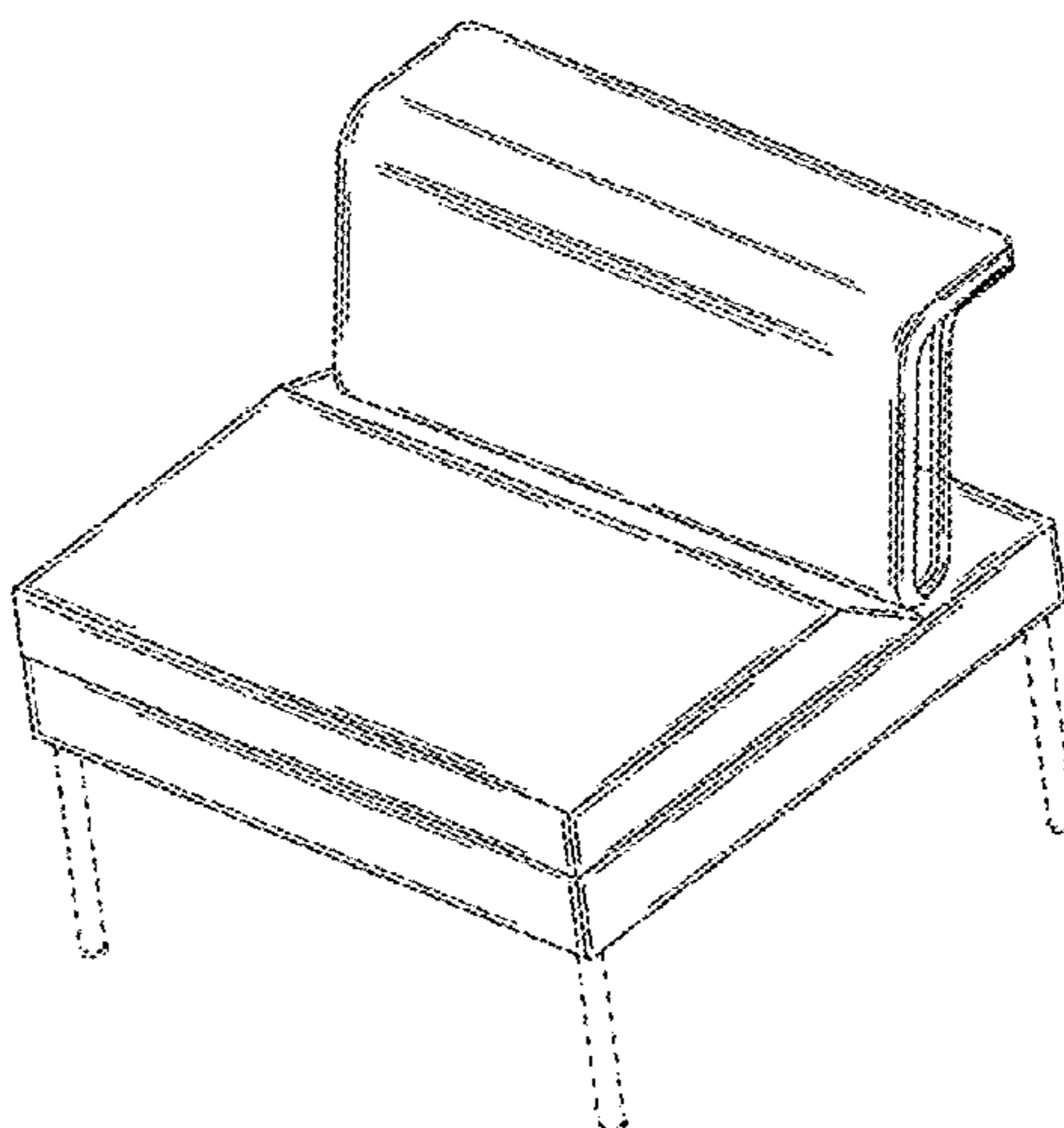
(57) **CLAIM**

We claim the ornamental design for the chair, as shown and
described.

DESCRIPTION

FIG. 1 shows a perspective view of a chair;
FIG. 2 shows a right side view of the chair of FIG. 1;
FIG. 3 shows a left side view of the chair of FIG. 1;
FIG. 4 shows a front view of the chair of FIG. 1;
FIG. 5 shows a rear view of the chair of FIG. 1;
FIG. 6 shows a top view of the chair of FIG. 1; and,
FIG. 7 shows a bottom view of the chair of FIG. 1.
Any broken lines in FIGS. 1-7 are for environmental purposes
only and form no part of the claimed designs. The bottom
view of the chair of FIG. 7 is flat and unornamented.

1 Claim, 7 Drawing Sheets



(56)

References Cited

U.S. PATENT DOCUMENTS

1,329,988 A	2/1920	Montgomery	5,292,109 A	3/1994	Bebber et al.
1,333,554 A	3/1920	Melcher	5,342,109 A	8/1994	Berry et al.
1,533,219 A	4/1925	Sugerman	D356,691 S	3/1995	Lin
1,649,013 A	11/1927	Bell	5,470,128 A	11/1995	Kerkham
1,984,207 A	12/1934	Abraham	D369,495 S	5/1996	Mourgue
D102,971 S	1/1937	Hale	5,632,473 A	5/1997	Dias Magalhaes Queiroz
2,136,407 A	11/1938	Armour	D381,526 S	7/1997	Kane
2,184,047 A	12/1939	King	5,692,335 A	12/1997	Magnuson
D130,795 S	12/1941	Eppenstein	5,713,633 A	2/1998	Lu
2,294,039 A	8/1942	Looney	5,754,995 A	5/1998	Behrendt
2,383,125 A	8/1945	Hill	5,857,226 A	1/1999	Sommer
2,429,050 A	10/1947	Decker	5,890,325 A	4/1999	Corcorran et al.
D148,337 S	1/1948	Stein	5,899,025 A	5/1999	Casey et al.
D148,511 S	1/1948	Young	5,906,420 A	5/1999	Rozier et al.
D158,892 S	6/1950	Murphy et al.	5,970,662 A	10/1999	Corcorran et al.
D162,426 S	3/1951	Michelson	6,050,638 A	4/2000	West
D162,427 S	3/1951	Michelson	6,059,358 A	5/2000	Demick et al.
D177,081 S *	3/1956	Wells 297/445.1	6,067,762 A	5/2000	Greer et al.
2,759,529 A	8/1956	Hagadorn	6,128,873 A	10/2000	Shipman et al.
2,767,771 A	10/1956	Leonard	6,135,548 A	10/2000	McGuire
D181,732 S	12/1957	Kelly	6,145,448 A	11/2000	Marschand et al.
2,893,476 A	7/1959	Liljengren	6,152,527 A	11/2000	McDowell et al.
D186,308 S *	10/1959	Knoll D6/334	6,170,909 B1	1/2001	Inoue
D188,488 S *	8/1960	Otto D6/334	6,189,268 B1	2/2001	Carr et al.
2,951,531 A	9/1960	Dantes	6,220,186 B1	4/2001	Scharer et al.
D190,805 S *	7/1961	Deskey D6/334	D441,204 S	5/2001	Bernich
3,028,607 A	4/1962	Anderson	6,331,033 B2	12/2001	Lau
3,058,123 A	10/1962	Pink et al.	D454,441 S	3/2002	Bermudez
3,110,911 A	11/1963	Osborne et al.	6,450,571 B1	9/2002	Canni et al.
3,228,041 A	1/1966	Osborne	6,581,344 B1	6/2003	Niewiadowski et al.
3,254,931 A	6/1966	Jacobi	6,594,833 B2	7/2003	Timoshenko
3,275,374 A	9/1966	Holzner et al.	6,629,836 B2	10/2003	Campbell
3,615,118 A	10/1971	Buxton	6,681,529 B1	1/2004	Baloga et al.
3,708,367 A	1/1973	Grant et al.	6,702,389 B2	3/2004	Hall, Jr. et al.
D235,179 S	5/1975	Bernard	6,726,276 B1	4/2004	Tholkes et al.
3,890,658 A	6/1975	Petersilie	6,739,096 B2	5/2004	Feldpausch et al.
3,990,741 A	11/1976	Snyder et al.	6,779,846 B2	8/2004	Spendlove et al.
D243,894 S *	4/1977	Offredi D6/334	6,854,805 B2	2/2005	Fujita et al.
4,032,188 A	6/1977	Jones	6,880,886 B2	4/2005	Bodnar et al.
D245,950 S	10/1977	Mathur	6,899,398 B2	5/2005	Coffield
D247,009 S	1/1978	Schoblom	6,922,949 B2	8/2005	Cornell et al.
4,077,666 A	3/1978	Heumann	6,932,430 B2	8/2005	Bedford et al.
4,085,970 A	4/1978	Klein	6,942,300 B2	9/2005	Numa et al.
4,092,049 A *	5/1978	Schoblom A47C 4/028 297/218.4	6,957,863 B2	10/2005	Heidmann et al.
D248,802 S *	8/1978	Iselin D6/364	6,966,606 B2	11/2005	Coffield
4,114,949 A	9/1978	Benoit	6,991,291 B2	1/2006	Knoblock et al.
D249,752 S *	10/1978	Eilersen D6/364	7,020,911 B2	4/2006	Oldham
D251,938 S *	5/1979	Spound D6/334	7,029,071 B2	4/2006	Watson et al.
D251,940 S	5/1979	Spound	7,048,335 B2	5/2006	Norman et al.
D259,600 S	6/1981	Marks	7,055,911 B2	6/2006	Simpson et al.
D259,601 S *	6/1981	Marks D6/334	D525,448 S	7/2006	Thom et al.
D259,605 S	6/1981	Marks	7,096,549 B2	8/2006	Coffield
D262,421 S	12/1981	Aronowitz	7,097,247 B2	8/2006	Batthey et al.
4,305,616 A	12/1981	Martinez et al.	7,131,699 B2	11/2006	Mulmed
D264,027 S *	4/1982	Aronowitz D6/364	7,131,700 B2	11/2006	Knoblock et al.
D264,648 S *	6/1982	Rodriquez D6/334	7,165,811 B2	1/2007	Bodnar et al.
D267,759 S *	2/1983	Krabeepetcharat D6/364	7,181,783 B2	2/2007	O'Reilly
D268,970 S	5/1983	Mascheroni	7,207,625 B1	4/2007	Hardt, II et al.
D269,651 S *	7/1983	Blowers D6/364	7,226,130 B2	6/2007	Tubergen et al.
4,433,884 A	2/1984	Edwards et al.	7,234,774 B2	6/2007	Heidmann et al.
D273,156 S *	3/1984	Dubbin D6/334	7,264,311 B2	9/2007	Heidmann
D275,243 S *	8/1984	Tiffany, III D6/364	7,281,762 B1	10/2007	Getfield
D280,153 S	8/1985	Hopfer	7,334,845 B2	2/2008	Peterson et al.
4,647,109 A	3/1987	Christophersen et al.	7,347,493 B2	3/2008	Mulmed
4,662,679 A	5/1987	Franck et al.	7,360,835 B2	4/2008	Tubergen et al.
D298,784 S	12/1988	Friedman	D572,933 S	7/2008	van Ierssel
4,796,954 A	1/1989	Saito	7,396,079 B2	7/2008	Heidmann et al.
4,835,029 A	5/1989	Thebaud et al.	7,419,214 B2	9/2008	Plant
4,925,256 A	5/1990	Vargas et al.	7,523,989 B2	4/2009	Wieland et al.
D311,283 S	10/1990	Warren	7,568,763 B2	8/2009	Bedford et al.
4,978,157 A	12/1990	Murakami	7,575,283 B2	8/2009	Crowe
5,038,421 A	8/1991	Harris	7,611,183 B2	11/2009	Burkey et al.
5,083,838 A	1/1992	Maxwell	7,647,714 B2	1/2010	Coffield et al.
5,253,595 A	10/1993	Heidmann	D616,209 S	5/2010	Singler
			7,707,790 B2	5/2010	Williams et al.
			7,806,474 B2	10/2010	Wahl et al.
			D627,576 S	11/2010	Joly
			7,841,667 B2	11/2010	Mossbeck
			D646,907 S	10/2011	Joly

(56)

References Cited

U.S. PATENT DOCUMENTS

8,029,060	B2	10/2011	Parker et al.	
D648,950	S	11/2011	Urquiola	
8,075,054	B2	12/2011	Smith	
8,104,850	B2	1/2012	Hager et al.	
8,128,175	B2	3/2012	Groelsma et al.	
8,167,367	B1	5/2012	Martinez	
8,185,985	B2	5/2012	Coffield et al.	
D669,702	S	10/2012	Barefoot	
D693,584	S *	11/2013	Kanthasamy	D6/334
D698,173	S	1/2014	Caldwell	
D702,953	S *	4/2014	Beucler	D6/334
D704,469	S	5/2014	Gaschy et al.	
D708,451	S	7/2014	Gashcy et al.	
D725,398	S	3/2015	Lee	
D727,042	S	4/2015	Wagner et al.	
D731,192	S	6/2015	Sorel	
D739,662	S *	9/2015	Webb	D6/334
D743,712	S	11/2015	Behar et al.	
D751,310	S *	3/2016	Schroeder	D6/364
2003/0001424	A1	1/2003	Mundell et al.	

2005/0046243	A1	3/2005	Cimino et al.
2005/0140184	A1	6/2005	Williams et al.
2007/0040434	A1	2/2007	Plant
2007/0138848	A1	6/2007	Schurg et al.
2007/0283631	A1	12/2007	Grandin et al.
2009/0091170	A1	4/2009	Grentzelius et al.
2010/0196088	A1	8/2010	Johnsson
2011/0181085	A1	7/2011	Pfeifer et al.
2011/0233976	A1	9/2011	Hanson et al.
2012/0019035	A1	1/2012	Uhlenbrock
2012/0112500	A1	5/2012	Rundle et al.
2012/0187737	A1	7/2012	Blair
2014/0312661	A1	10/2014	Behar et al.

OTHER PUBLICATIONS

Smart Desks, "Exchange Collaboration Furniture, Furniture for Collaborative Learning," © 1997-2012, www.smartdesks.com, retrieved May 9, 2012 (10 pages).

The Design Home, "Plot by Osko+Deichmann for Brunner," www.thedesignhome.com, Apr. 2012, retrieved May 9, 2012 (4 pages).

* cited by examiner

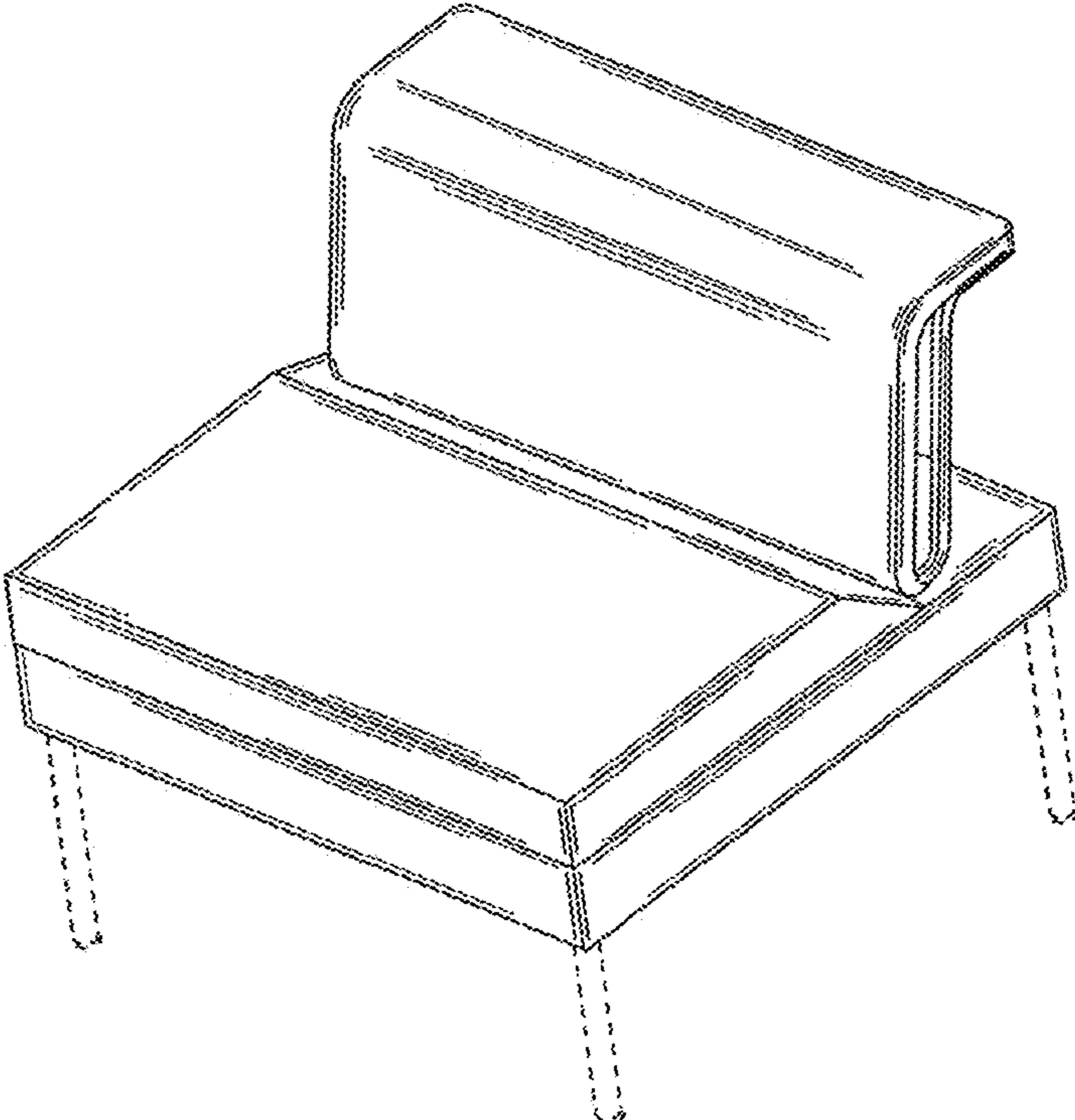


FIG. 1

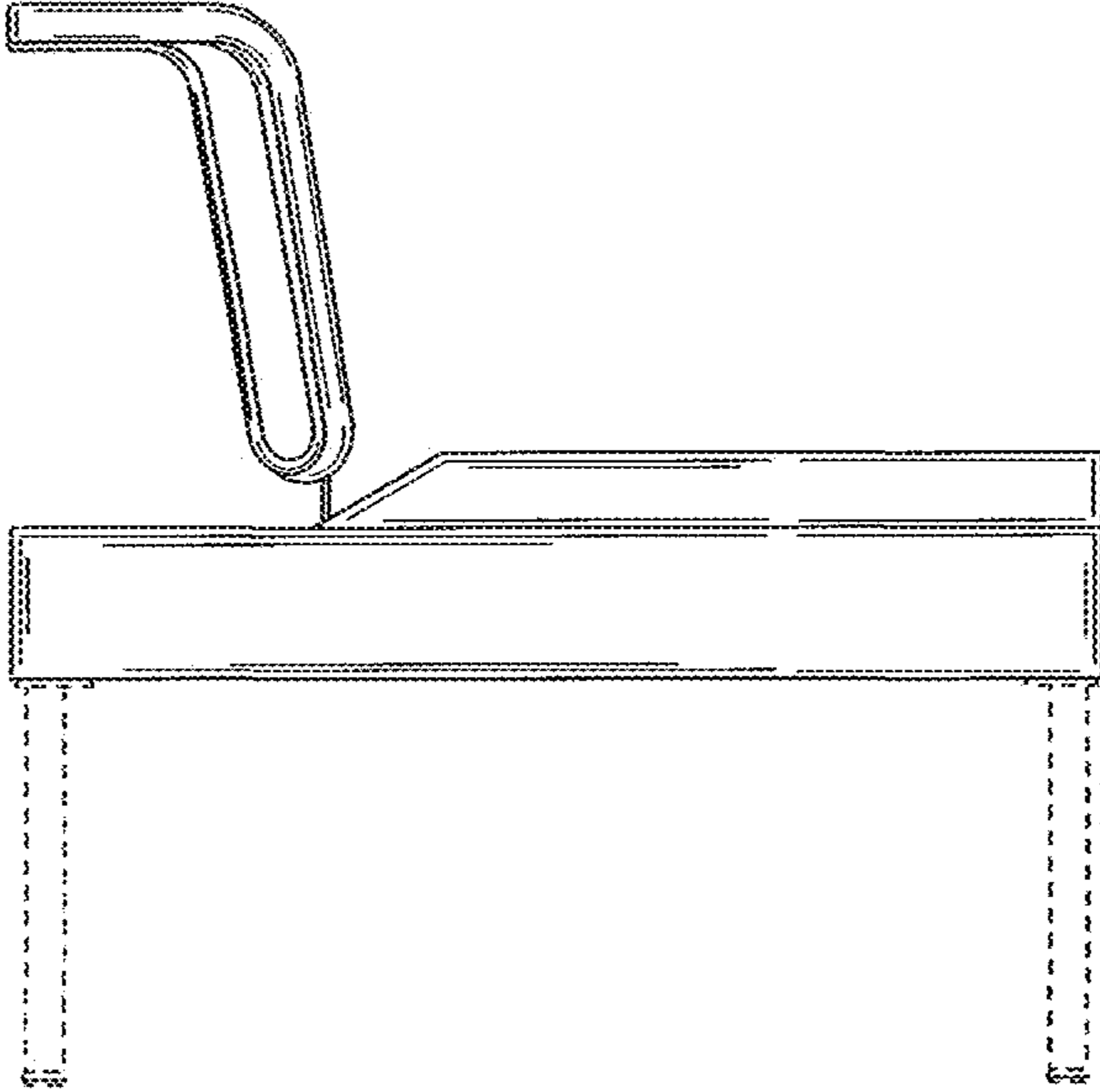


FIG. 2

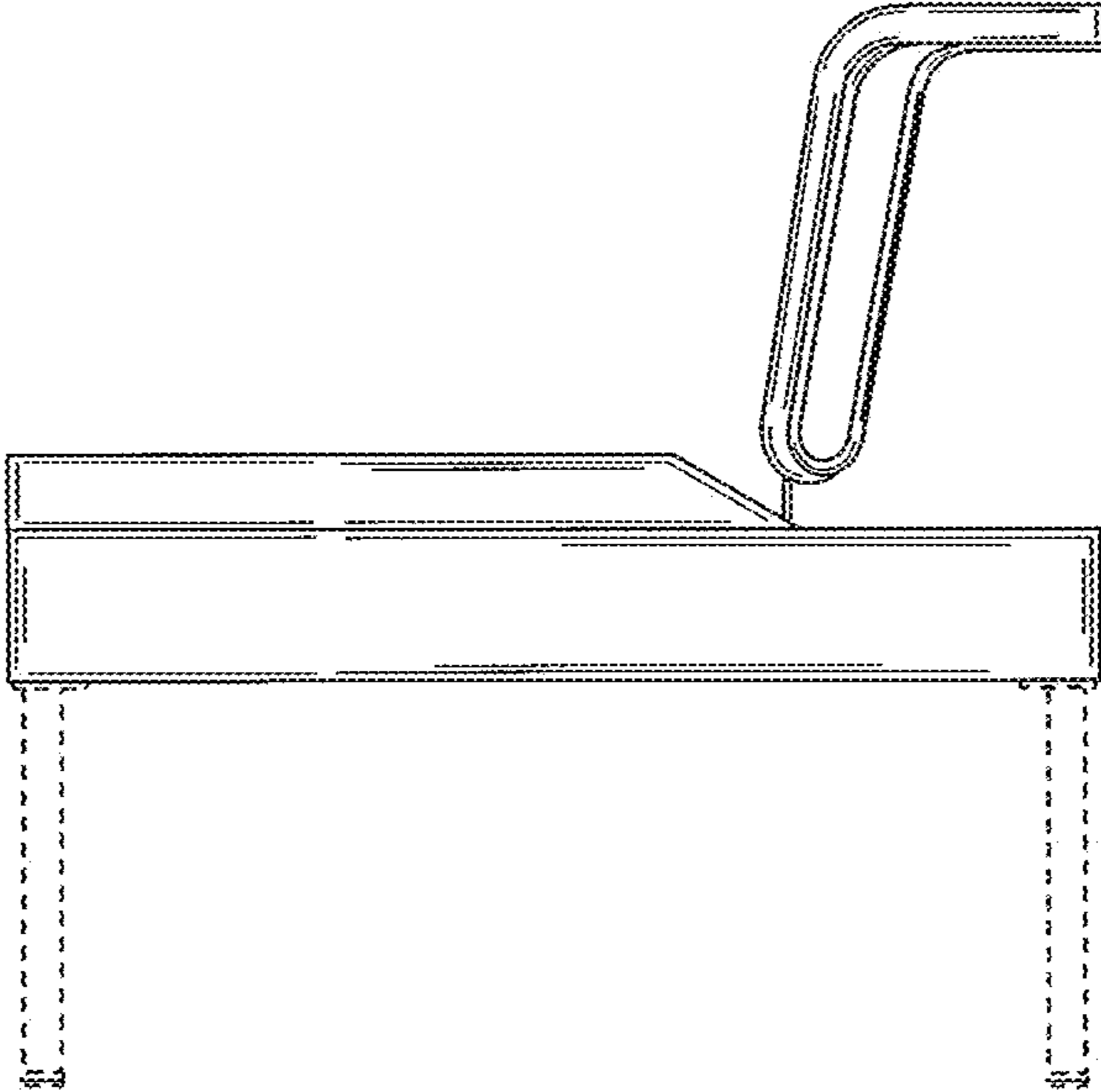


FIG. 3

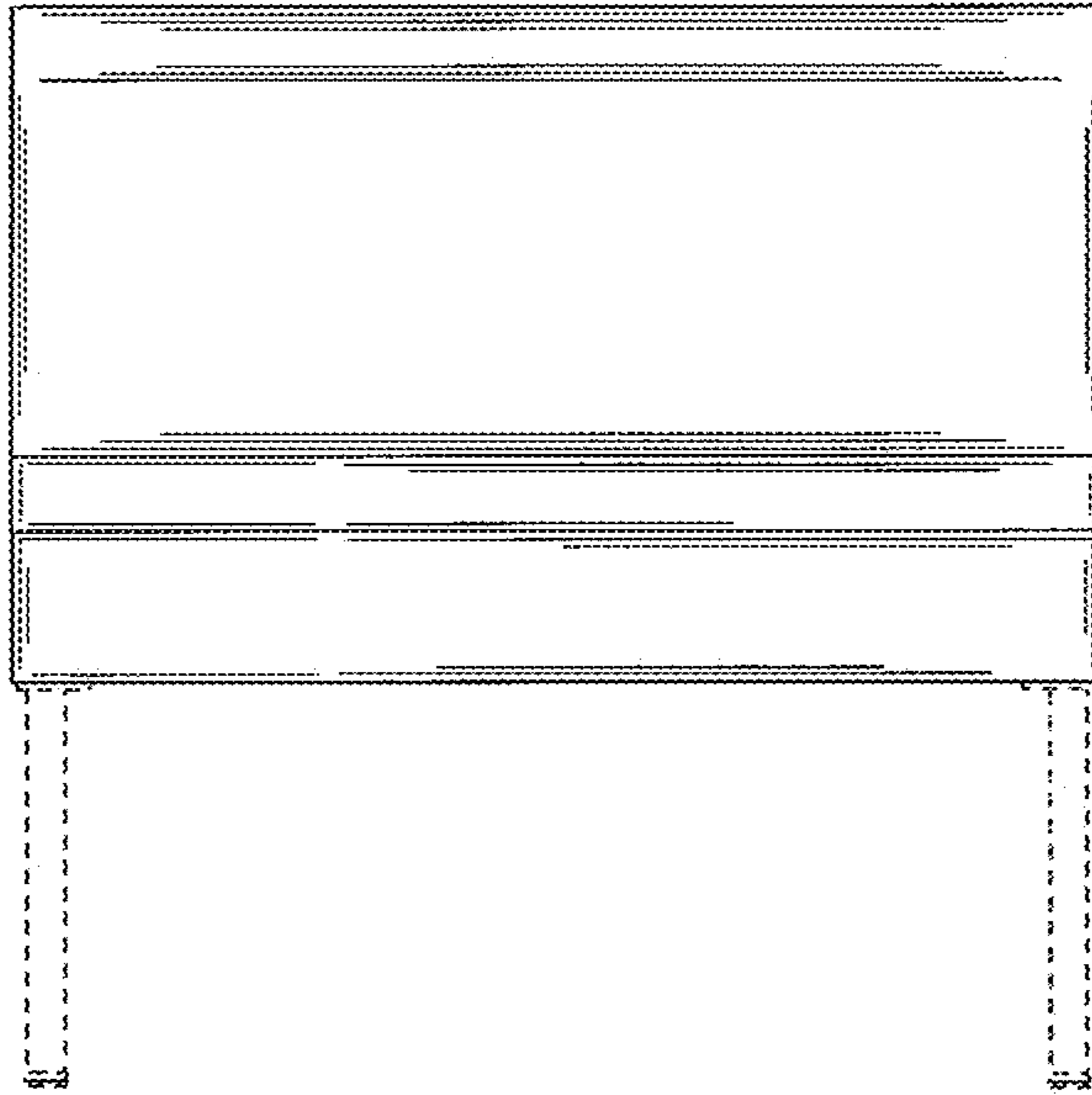


FIG. 4

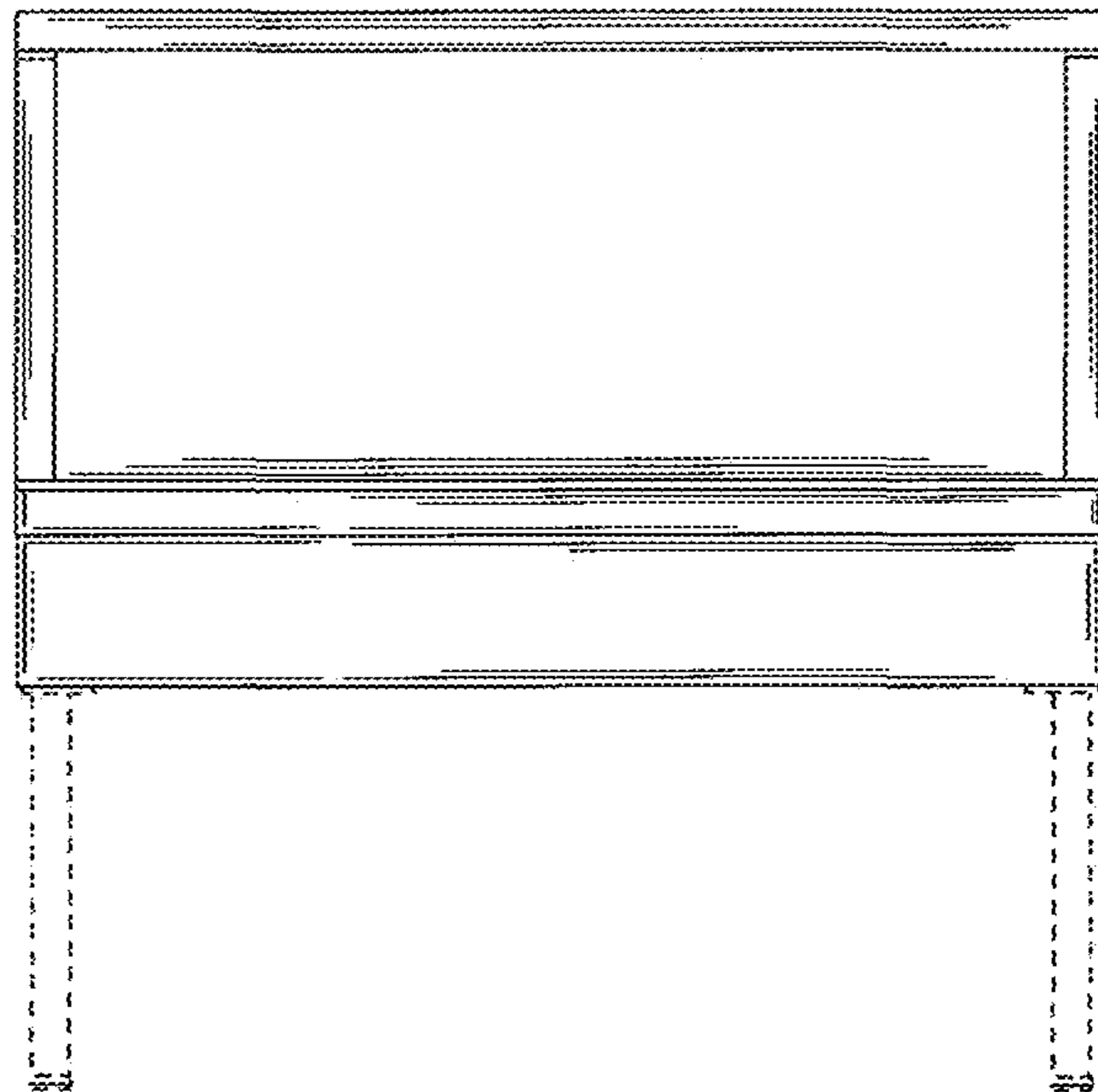


FIG. 5

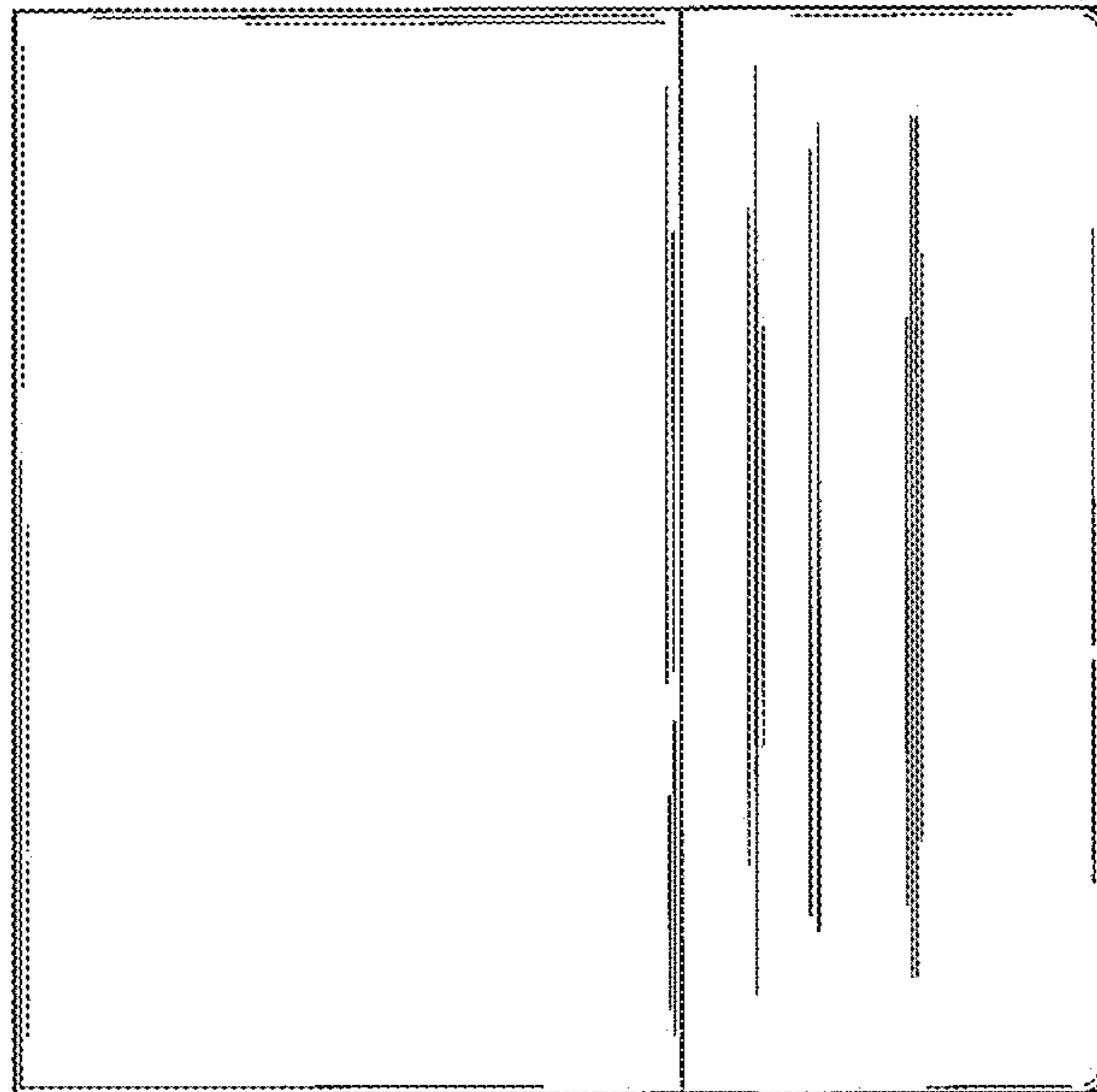


FIG. 6

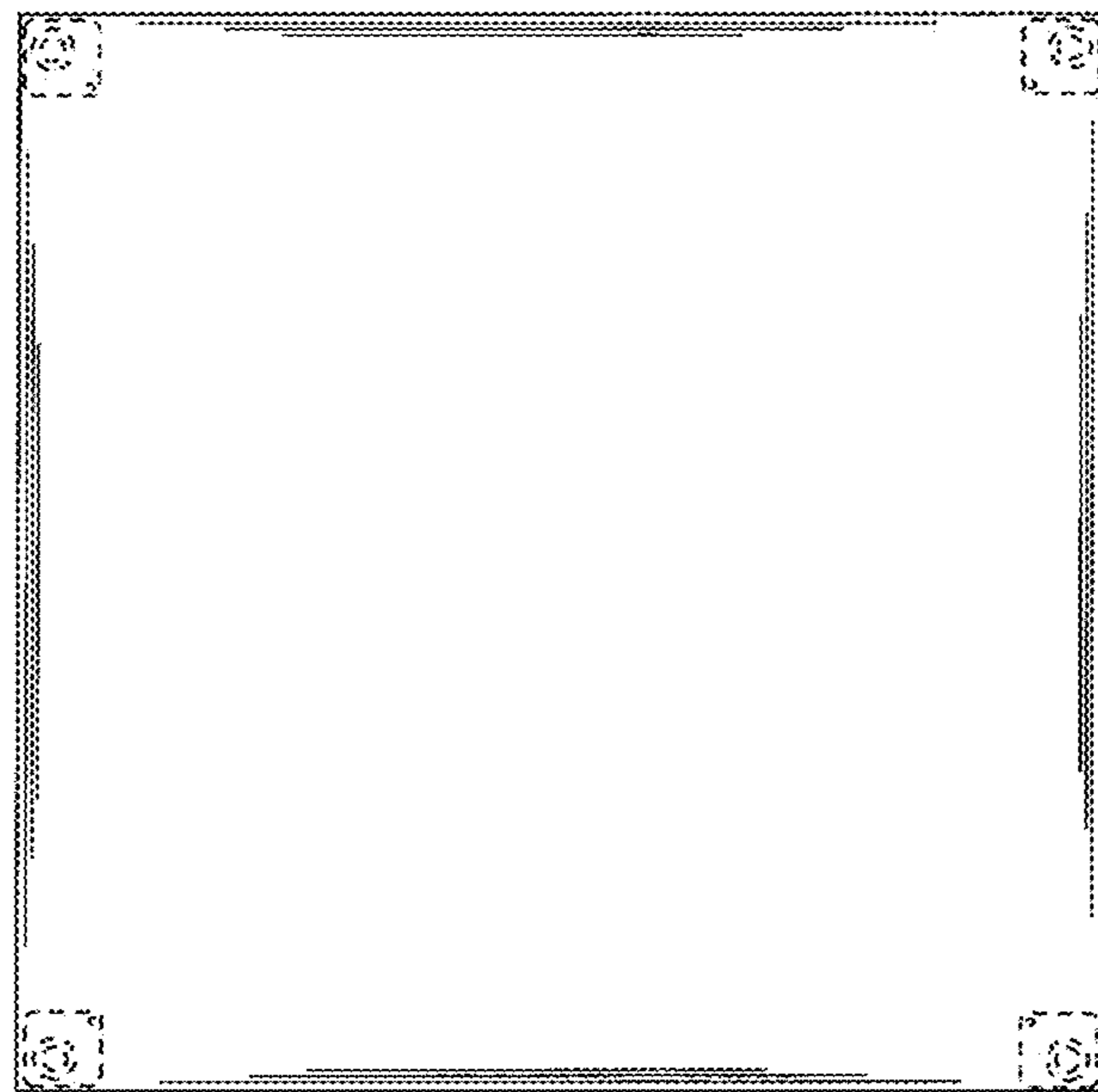


FIG. 7