

US00D761047S

(12) **United States Design Patent**
Kumazawa

(10) **Patent No.:** **US D761,047 S**
(45) **Date of Patent:** **** Jul. 12, 2016**

(54) **CHAIR**

(71) Applicant: **AICHI CO., LTD.**, Nagoya-shi,
Aichi-ken (JP)

(72) Inventor: **Taku Kumazawa**, Ichinomiya (JP)

(73) Assignee: **AICHI CO., LTD.**, Nagoya-shi (JP)

(**) Term: **14 Years**

(21) Appl. No.: **29/509,498**

(22) Filed: **Nov. 18, 2014**

(30) **Foreign Application Priority Data**

May 26, 2014 (JP) 2011-011114

(51) **LOC (10) Cl.** **06-01**

(52) **U.S. Cl.**
USPC **D6/709.2**

(58) **Field of Classification Search**

USPC D6/334-336, 371, 373, 374, 375, 376,
D6/379, 380, 716, 716.1, 716.2, 716.3,
D6/716.4

CPC A47C 4/02; A47C 4/03; A47C 4/18;
A47C 4/42; A47C 5/04

See application file for complete search history.

(56) **References Cited**

U.S. PATENT DOCUMENTS

D513,134 S * 12/2005 Asano D6/376
D513,457 S * 1/2006 Asano D6/376
D575,542 S * 8/2008 Igarashi D6/380
D587,027 S * 2/2009 Igarashi D6/380

D594,669 S * 6/2009 Asano D6/376
D686,833 S * 7/2013 Chan D6/376
D686,836 S * 7/2013 Mascetti D6/376
D687,239 S * 8/2013 Piretti D6/376
D688,058 S * 8/2013 Mascetti D6/376
D689,297 S * 9/2013 Su D6/376
D734,621 S * 7/2015 Su D6/376

FOREIGN PATENT DOCUMENTS

JP 1092112 S 11/2000
JP 1416276 S 6/2011
JP 1466875 S 4/2013

* cited by examiner

Primary Examiner — Mimoso De

(74) *Attorney, Agent, or Firm* — Withrow & Terranova,
P.L.L.C.; Vincent K. Gustafson

(57) **CLAIM**

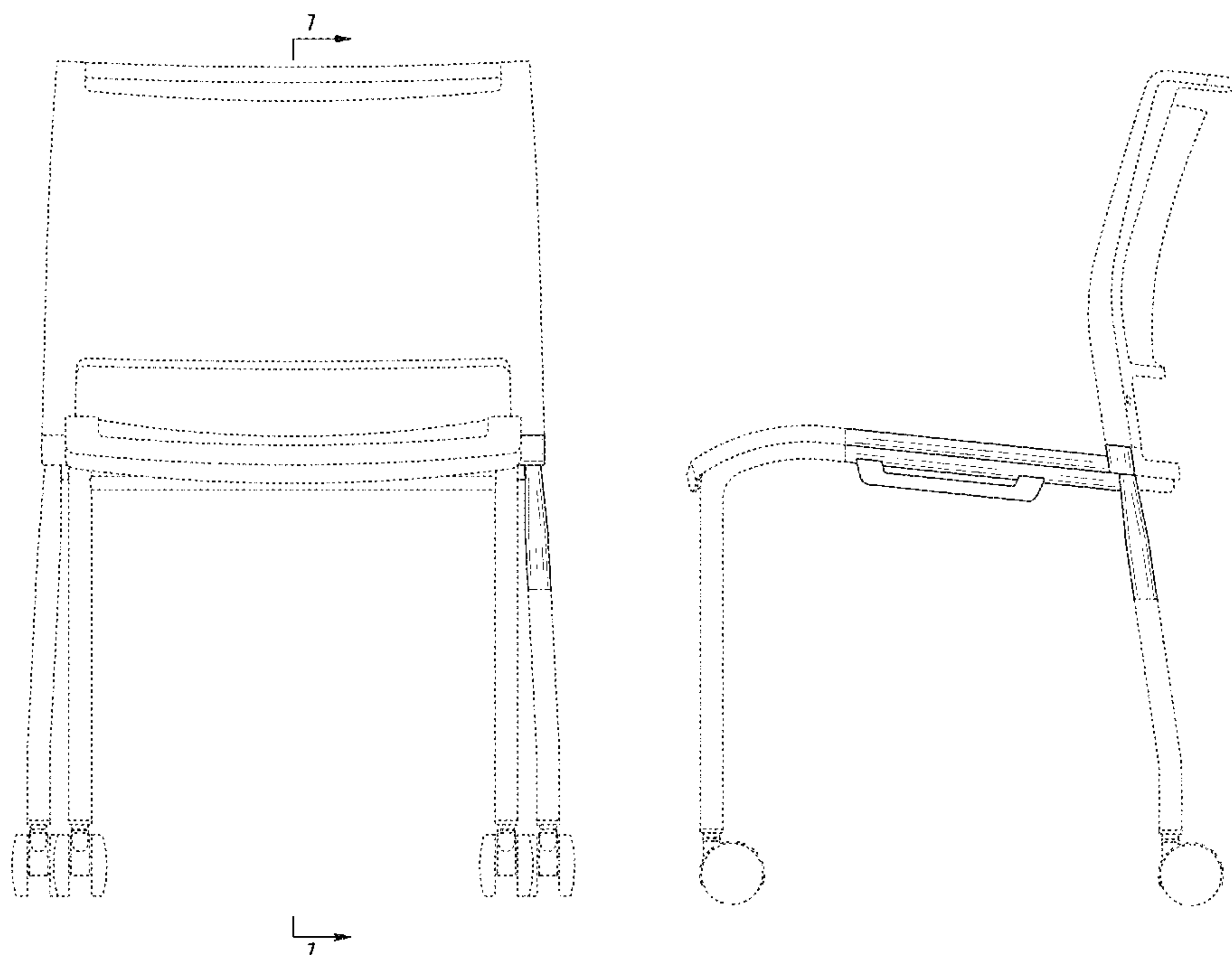
The ornamental design for a chair, as shown and described.

DESCRIPTION

FIG. 1 is a front elevation view of a chair showing my design;
FIG. 2 is a rear elevation view of the chair;
FIG. 3 is a right side elevation view of the chair;
FIG. 4 is a left side elevation view of the chair;
FIG. 5 is a top plan view of the chair;
FIG. 6 is a bottom plan view of the chair; and,
FIG. 7 is a cross-sectional view of the chair, taken along
section lines "7-7" shown in FIG. 1.

Throughout the Figures, the dashed broken lines are included
for the purpose of illustrating environment of the design and
form no part of the claimed design, and the dot-dash broken
lines represent boundaries of the claimed design and form no
part of the claimed design.

1 Claim, 7 Drawing Sheets



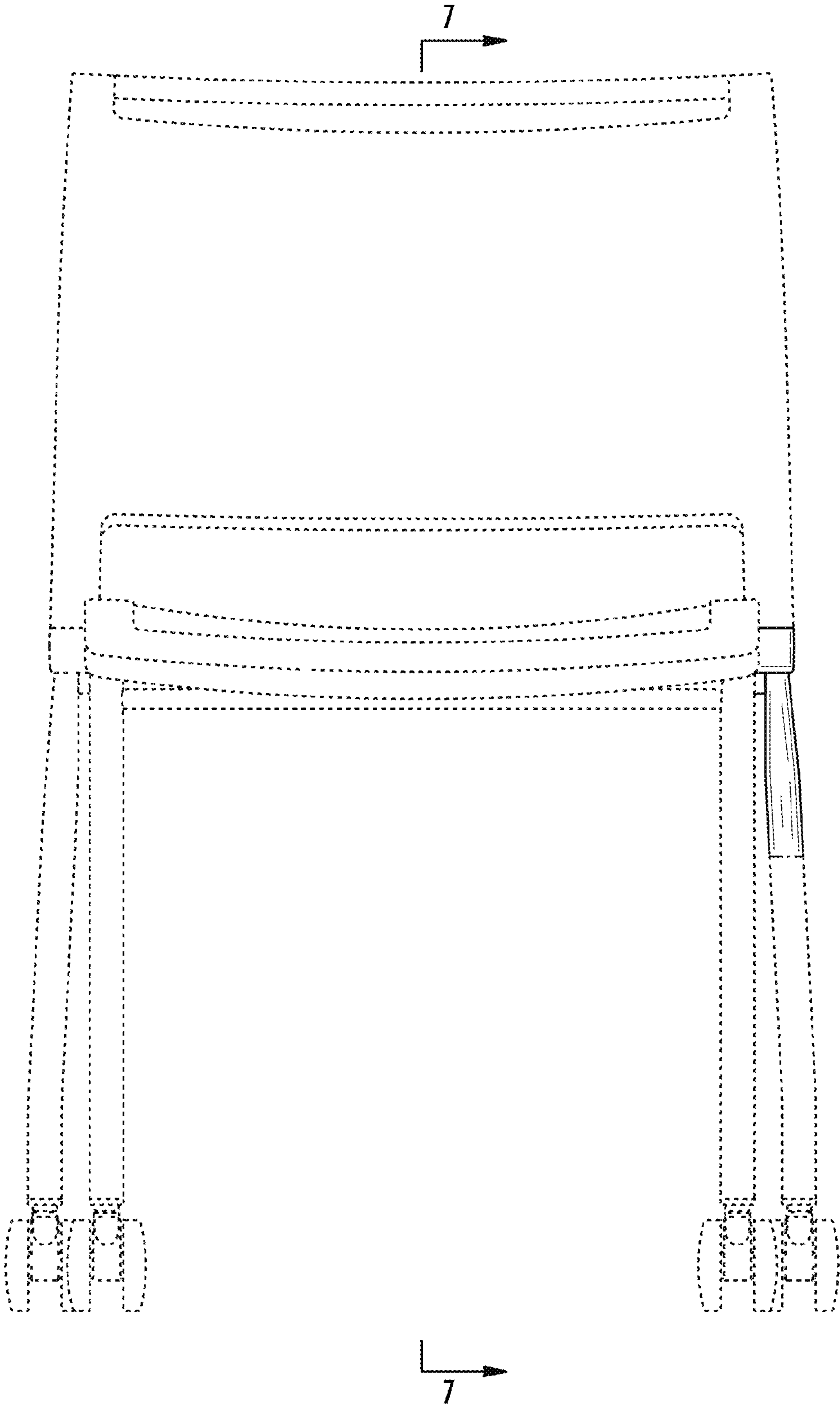


FIG. 1

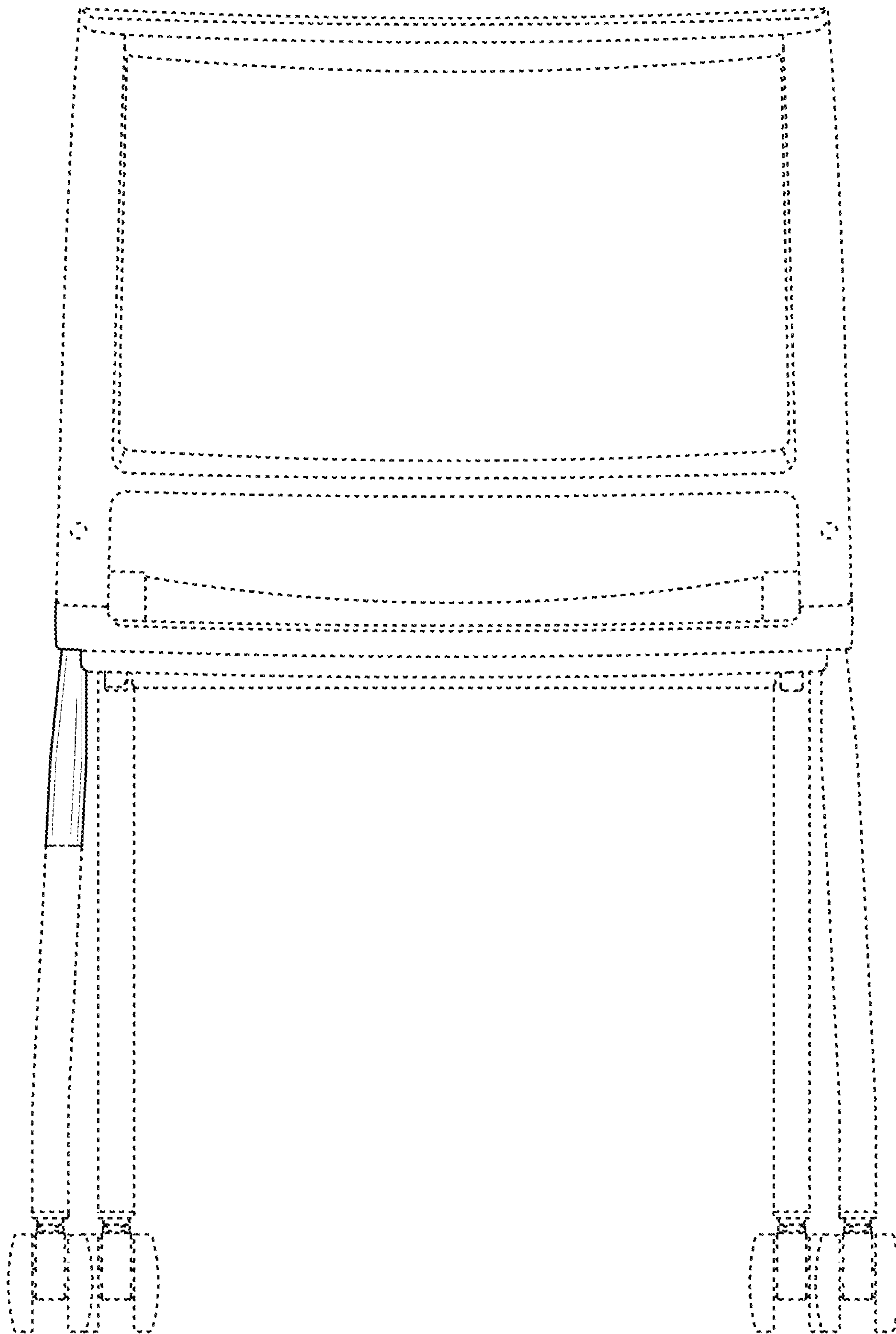


FIG. 2

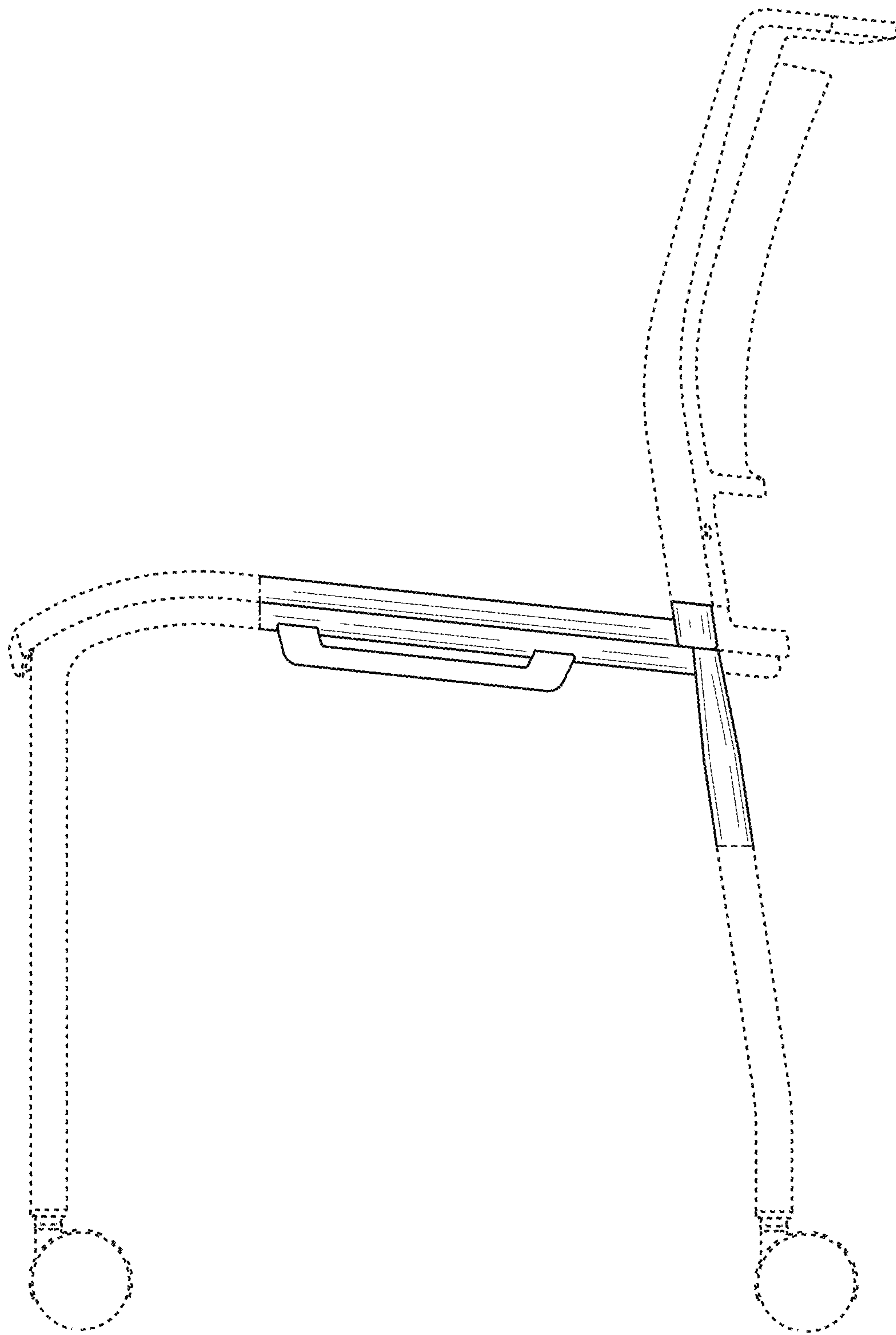


FIG. 3

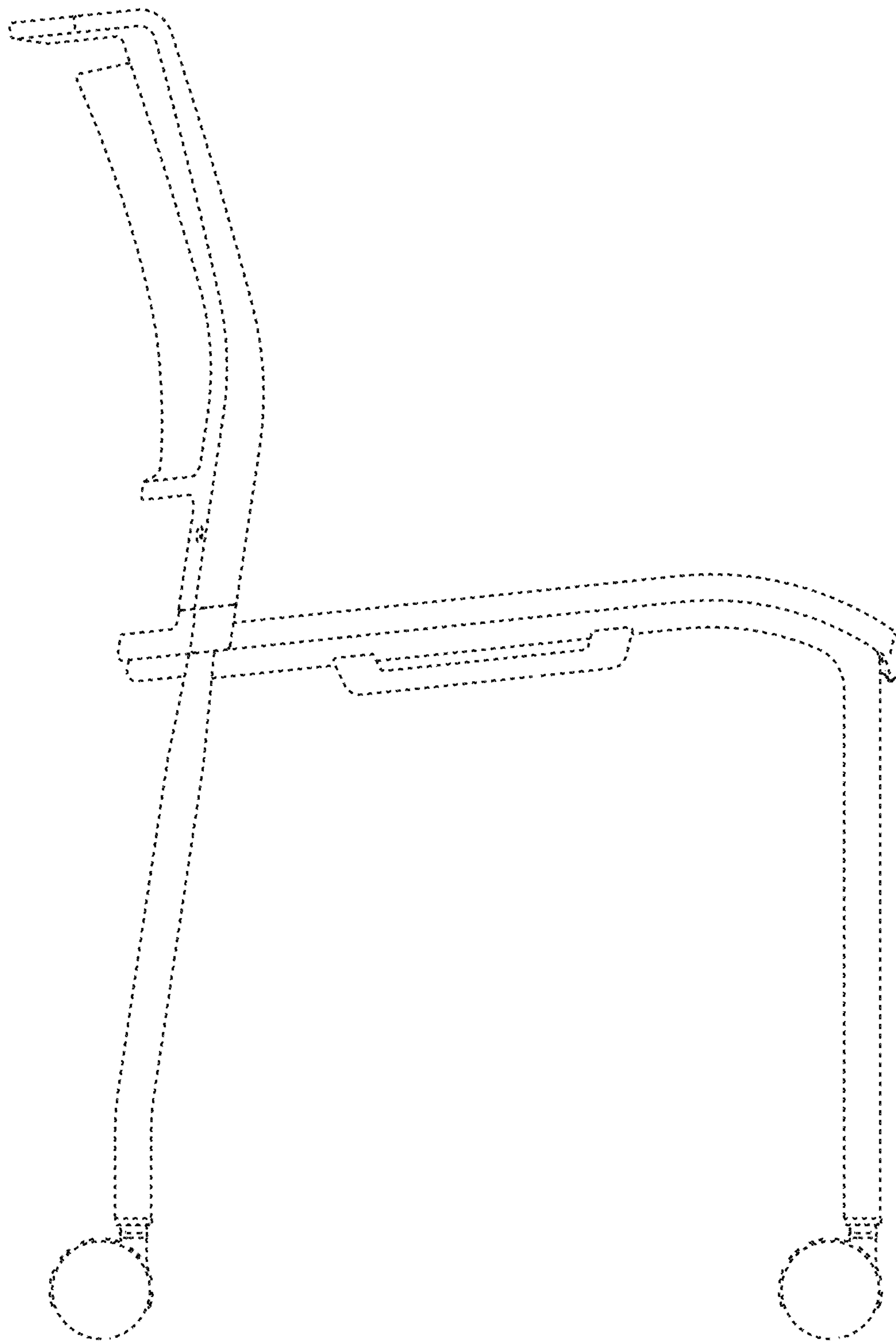


FIG. 4

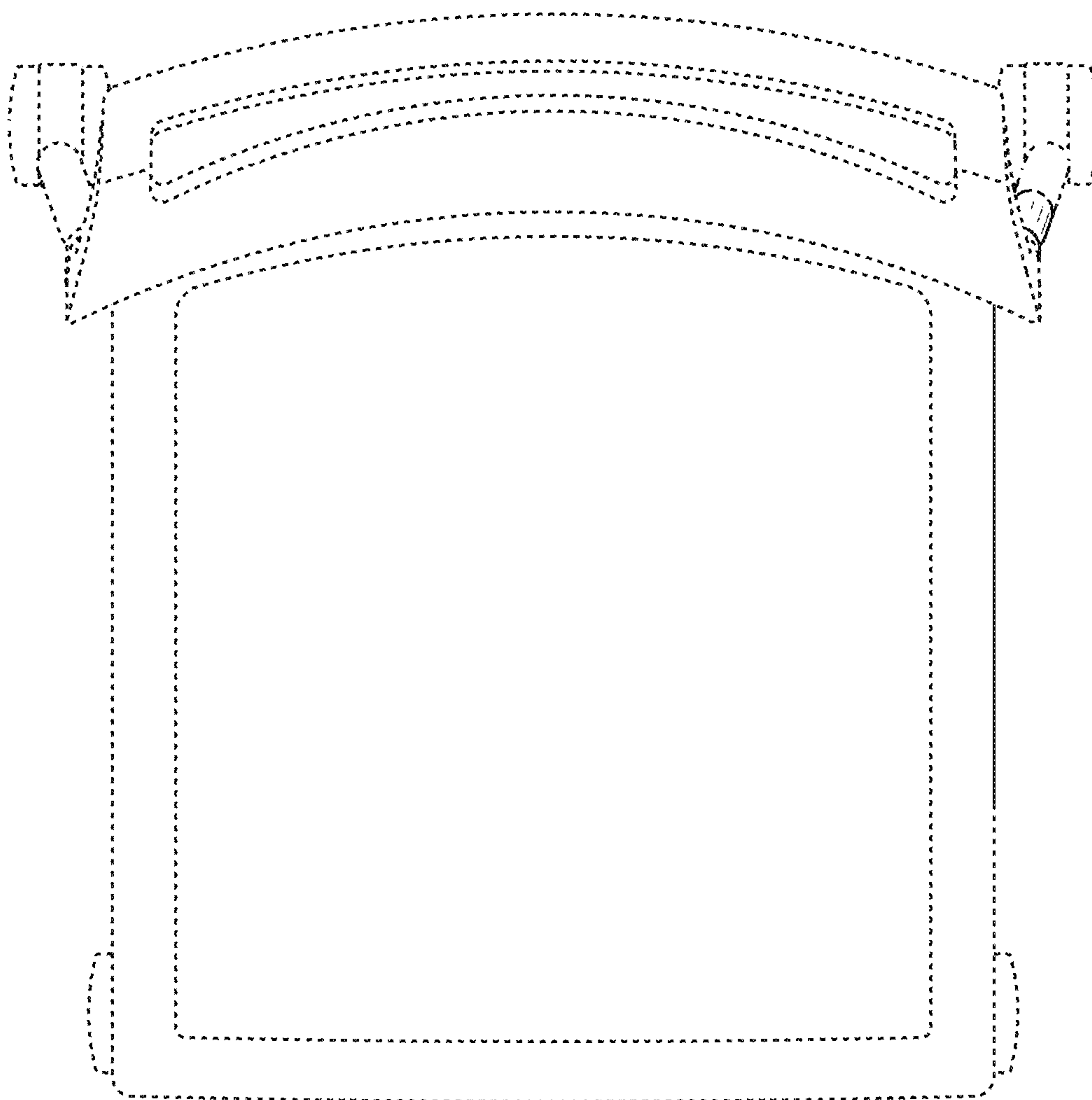


FIG. 5

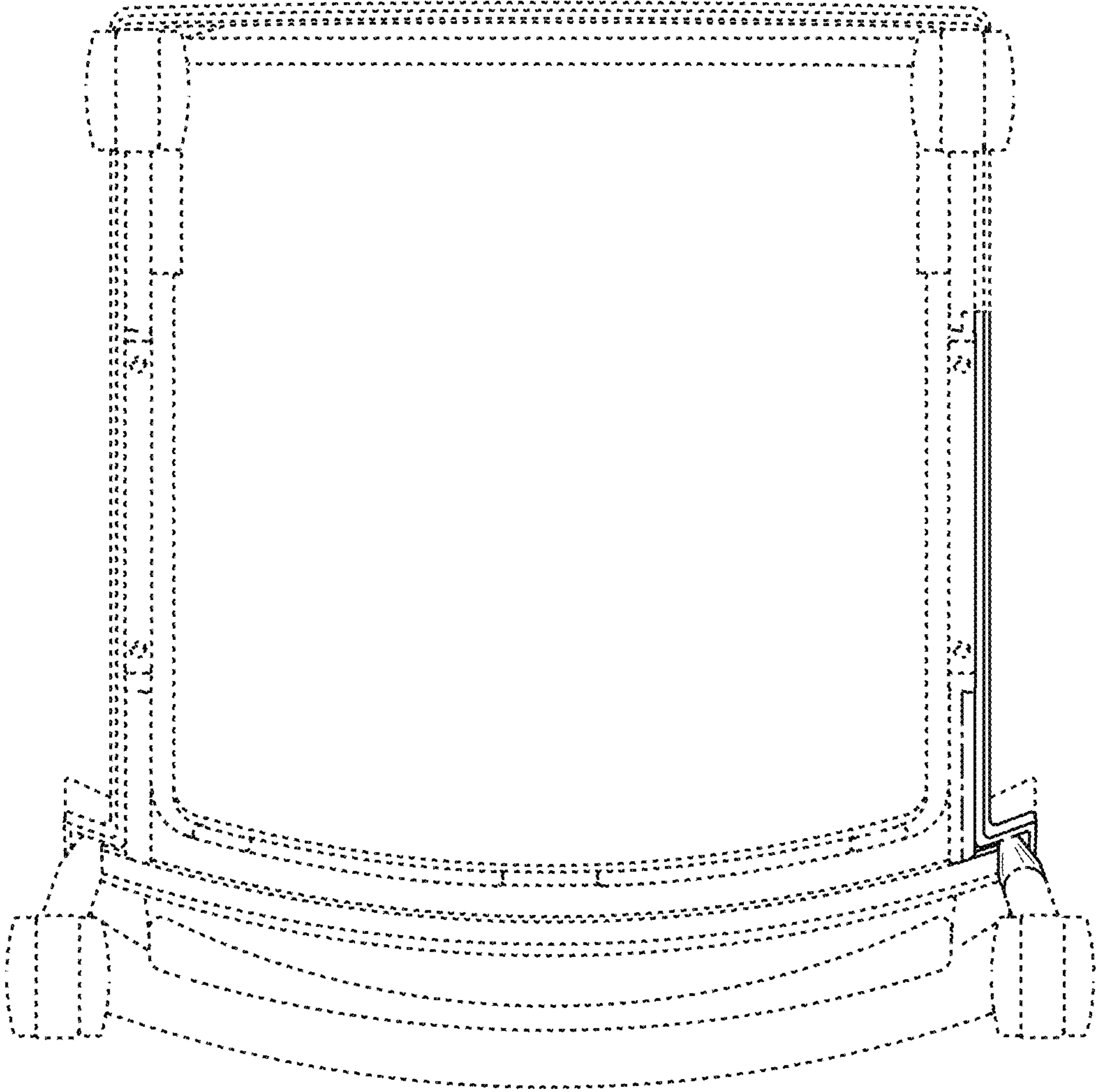


FIG. 6

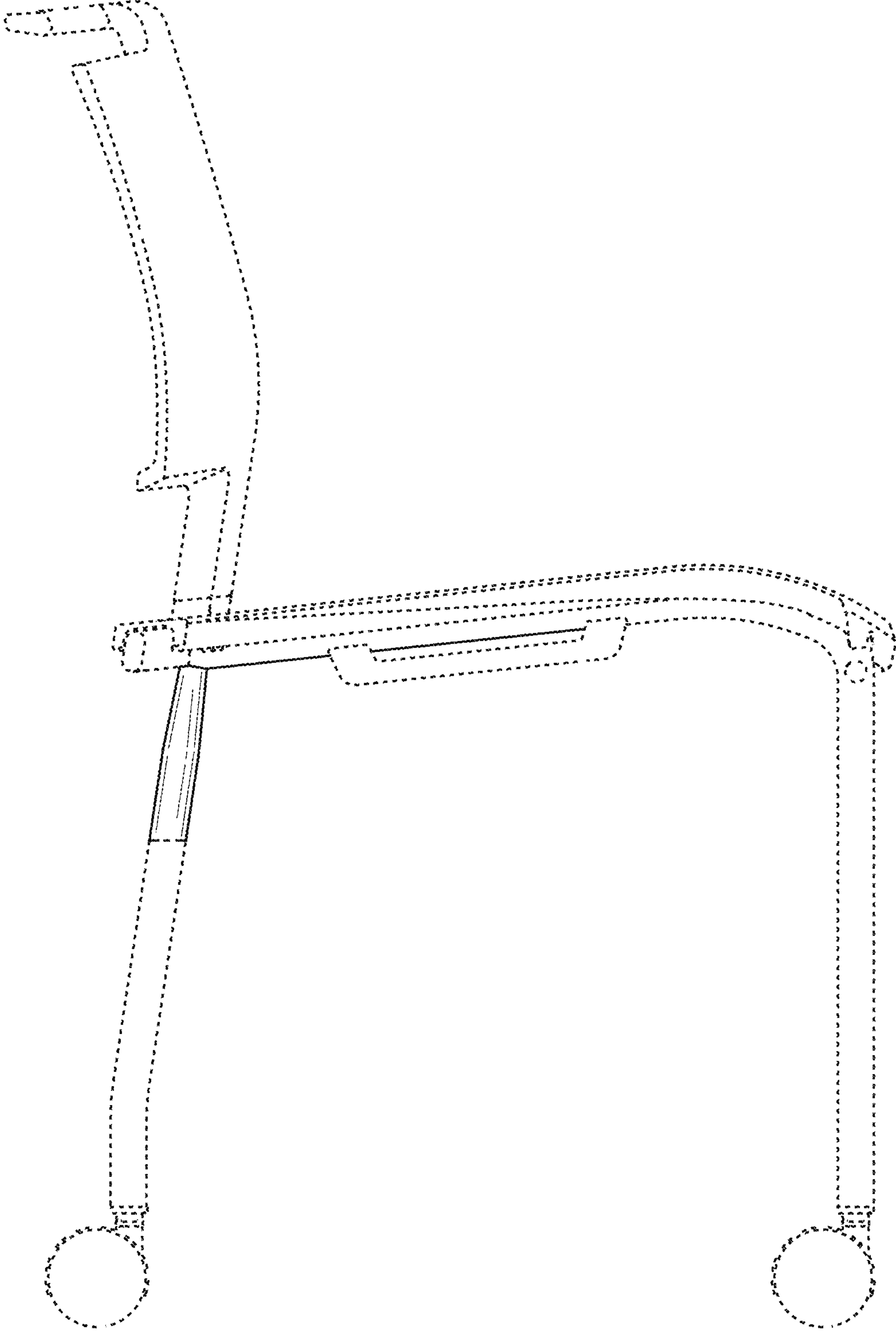


FIG. 7

UNITED STATES PATENT AND TRADEMARK OFFICE
CERTIFICATE OF CORRECTION

PATENT NO. : D761,047 S
APPLICATION NO. : 29/509498
DATED : July 12, 2016
INVENTOR(S) : Taku Kumazawa

Page 1 of 1

It is certified that error appears in the above-identified patent and that said Letters Patent is hereby corrected as shown below:

On the Title Page

Foreign Application Priority Data, "2011-011114" should be -- 2014-011114 --.

Signed and Sealed this
Sixteenth Day of May, 2017



Michelle K. Lee
Director of the United States Patent and Trademark Office