

US00D761046S

(12) **United States Design Patent**
Babick

(10) **Patent No.:** **US D761,046 S**
(45) **Date of Patent:** **** Jul. 12, 2016**

- (54) **SUPPORT LEG**
- (71) Applicant: **DSA INTERNATIONAL, LLC**,
Zeeland, MI (US)
- (72) Inventor: **Tod Babick**, Zeeland, MI (US)
- (73) Assignee: **DSA International, Inc.**, Zeeland, MI
(US)
- (**) Term: **14 Years**
- (21) Appl. No.: **29/498,494**
- (22) Filed: **Aug. 5, 2014**
- (51) **LOC (10) Cl.** **06-06**
- (52) **U.S. Cl.**
USPC **D6/709**
- (58) **Field of Classification Search**
USPC D6/709, 709.21, 710, 708.23, 718,
D6/648.1, 656, 656.12, 656.17
CPC A47C 19/024; A47C 19/025; A47C 19/02;
A47B 91/00; A47B 13/00; A47B 2013/2013;
A47B 2013/025; A47B 91/02; A47B 91/022;
A47B 2200/0032; A47B 2200/0052; A47B
2200/005
See application file for complete search history.

3,659,814 A	5/1972	Rode	248/649
5,511,760 A	4/1996	Kambara	248/650
5,533,457 A	7/1996	Cox	100/150
5,653,417 A	8/1997	Debarber	248/688
5,697,586 A	12/1997	Lybarger	248/188.4
5,881,979 A	3/1999	Rozier	248/188.5
6,024,330 A	2/2000	Mroz	248/188.4
6,132,320 A	10/2000	Spoerl	473/29
D480,239 S *	10/2003	Risdall	D6/709.21
6,968,583 B1 *	11/2005	Rich	A47C 19/024 248/188.2
6,983,570 B2	1/2006	Mead	52/263
7,325,412 B2	2/2008	Yun	62/295
8,328,149 B2	12/2012	Mclaughlin	248/188.4
8,485,480 B2	7/2013	Bove	248/188.2
8,684,324 B2	4/2014	Haydu	248/188.4

* cited by examiner

Primary Examiner — Janice Seeger

(74) *Attorney, Agent, or Firm* — Niro McAndrews, LLC

(57) **CLAIM**

The ornamental design for a support leg, as shown and described.

DESCRIPTION

FIG. 1 is an upper front perspective view of a first embodiment of a support leg, showing my new design;
 FIG. 2 is an upper side perspective view thereof;
 FIG. 3 is a lower side perspective view thereof;
 FIG. 4 is a top plan view thereof;
 FIG. 5 is a bottom plan view thereof;
 FIG. 6 is a front elevational view thereof;
 FIG. 7 is a rear elevational view thereof;
 FIG. 8 is a side elevational view thereof;
 FIG. 9 is a partial close up lower perspective view thereof;
 FIG. 10 is a lower perspective view showing four of the first embodiments of the support leg supporting a structure;
 FIG. 11 is an upper perspective view thereof;
 FIG. 12 is a bottom plan view thereof; and,
 FIG. 13 is a side elevational view thereof.

The broken lines shown in the figures are for illustrative purposes only and form no part of the claimed design.

1 Claim, 13 Drawing Sheets

(56) **References Cited**

U.S. PATENT DOCUMENTS

108,812 A	11/1870	Morgan	248/188.4
180,251 A	7/1876	May	248/188.4
278,433 A	5/1883	Hoyt	248/188.4
507,915 A	10/1893	Little	248/188.4
842,641 A	1/1907	Fernau	248/188.4
944,461 A	12/1909	Olander	248/188.4
1,104,891 A	7/1914	Heusser	248/346.05
1,253,625 A *	1/1918	Morphis	A47C 19/025 5/305
1,810,971 A	6/1931	Lee	248/188.4
2,097,349 A	10/1937	Sladek	292/338
2,747,826 A	5/1956	Fisher	248/243
D208,195 S *	8/1967	Schreyer	D6/709
3,356,324 A	12/1967	Attermeyer	248/650

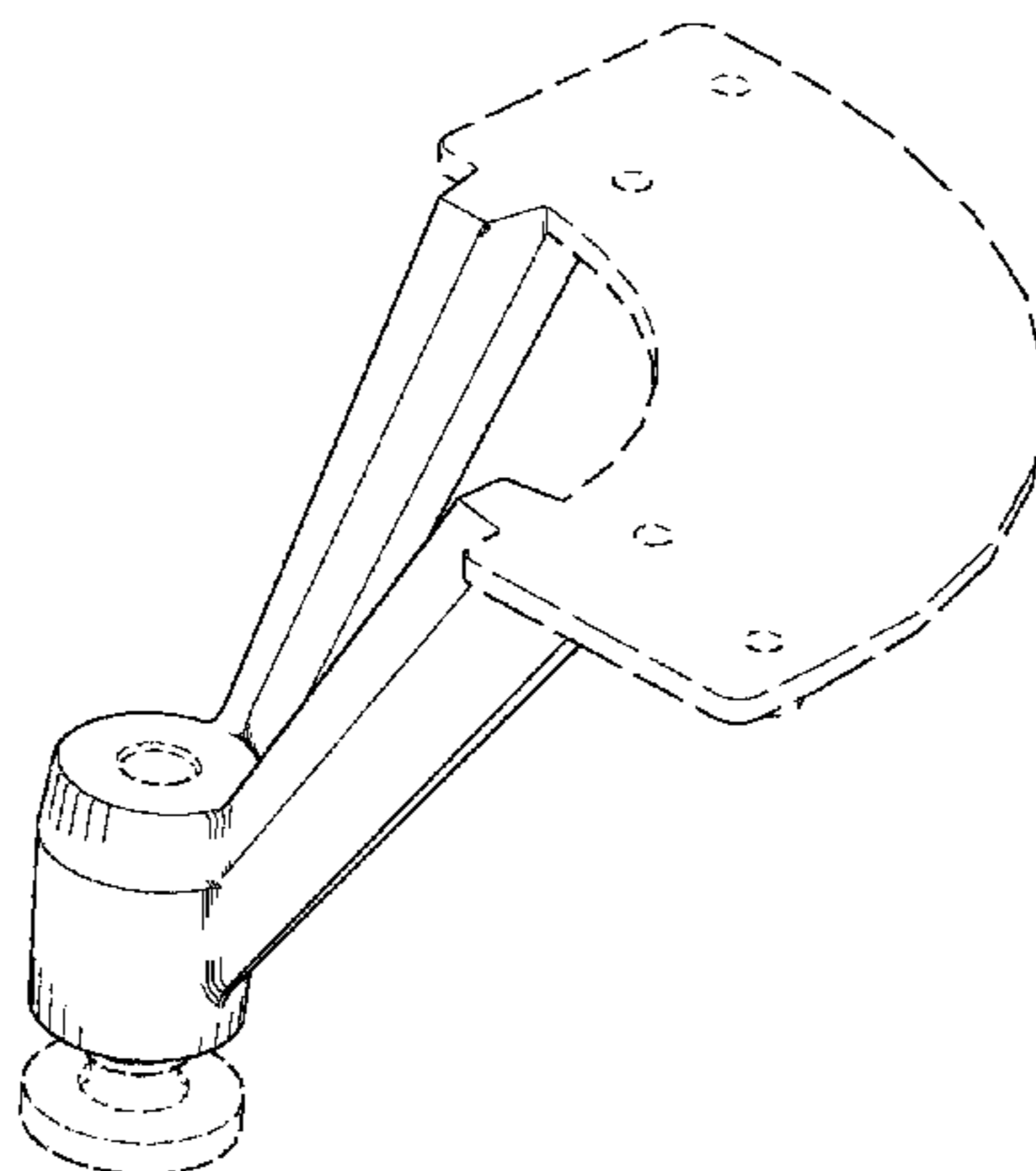


FIG. 1

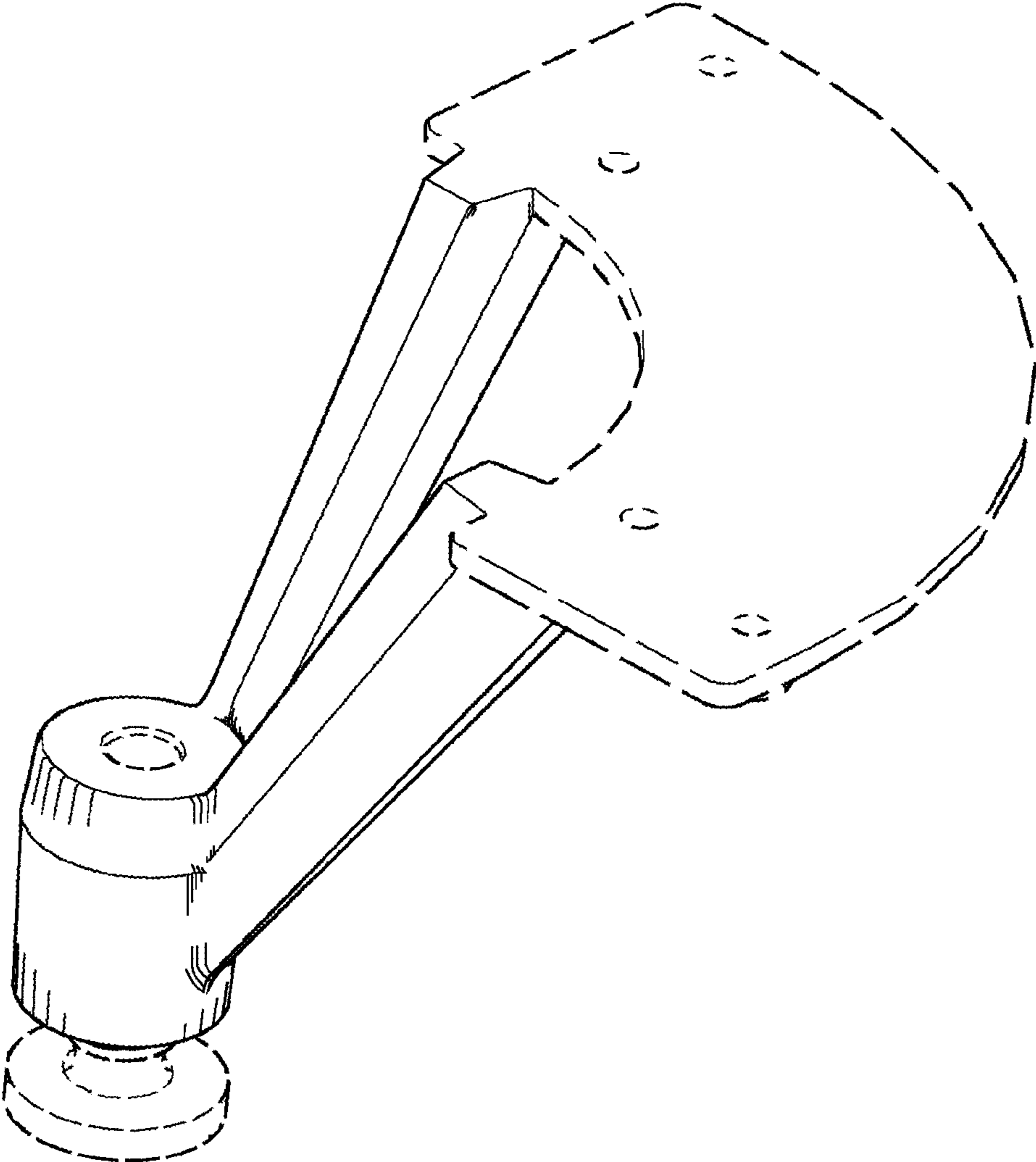


FIG. 2

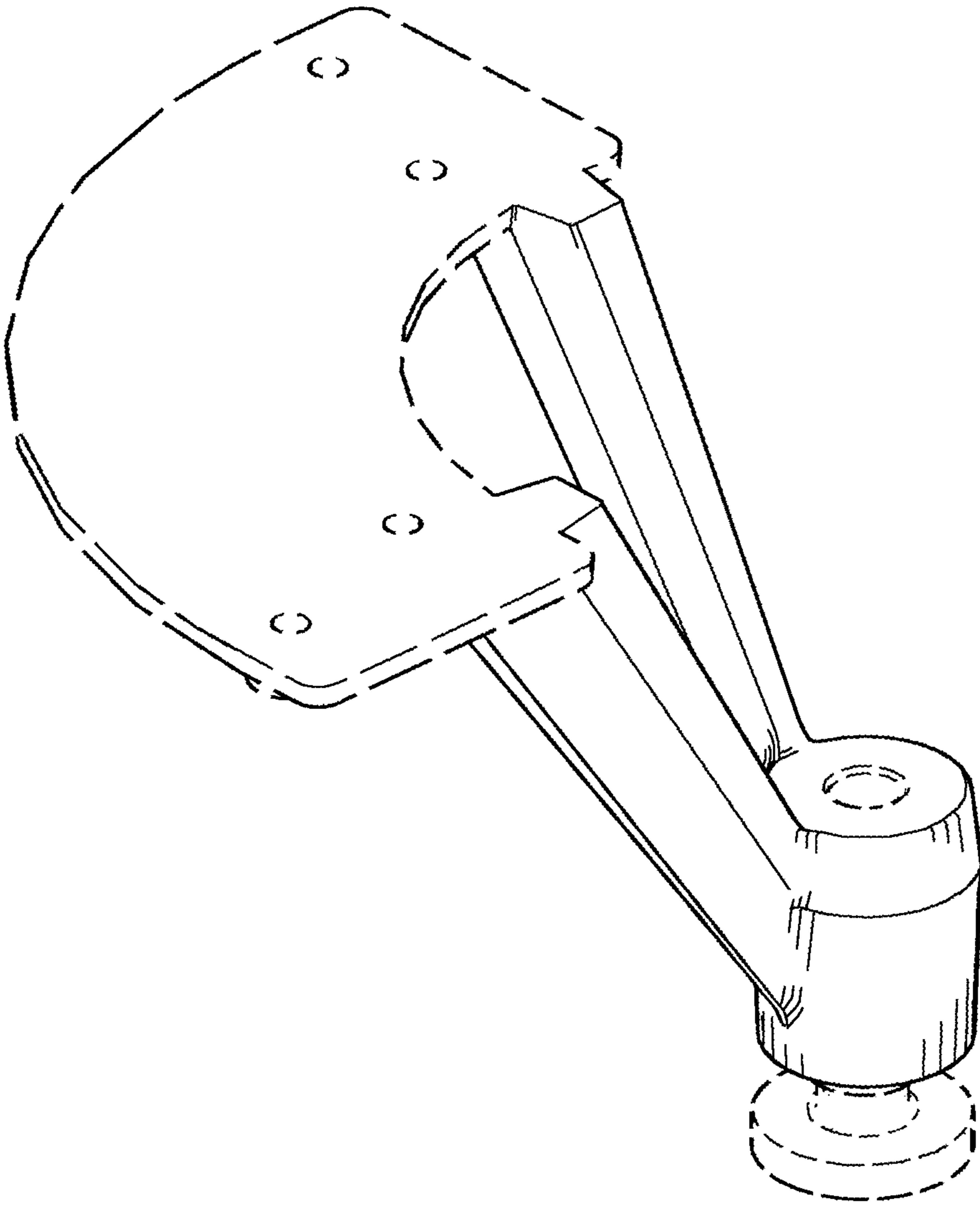


FIG. 3

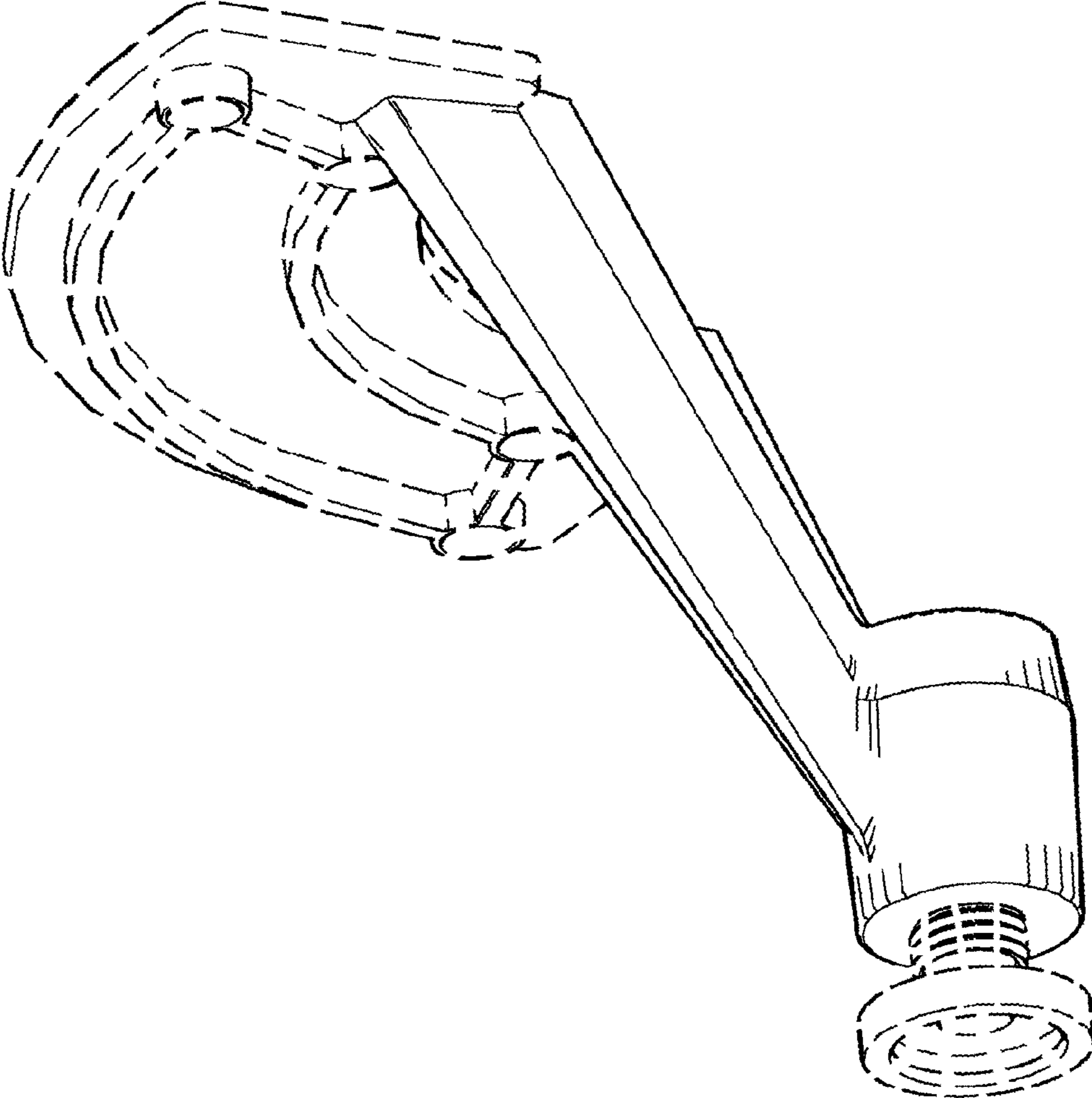


FIG. 4

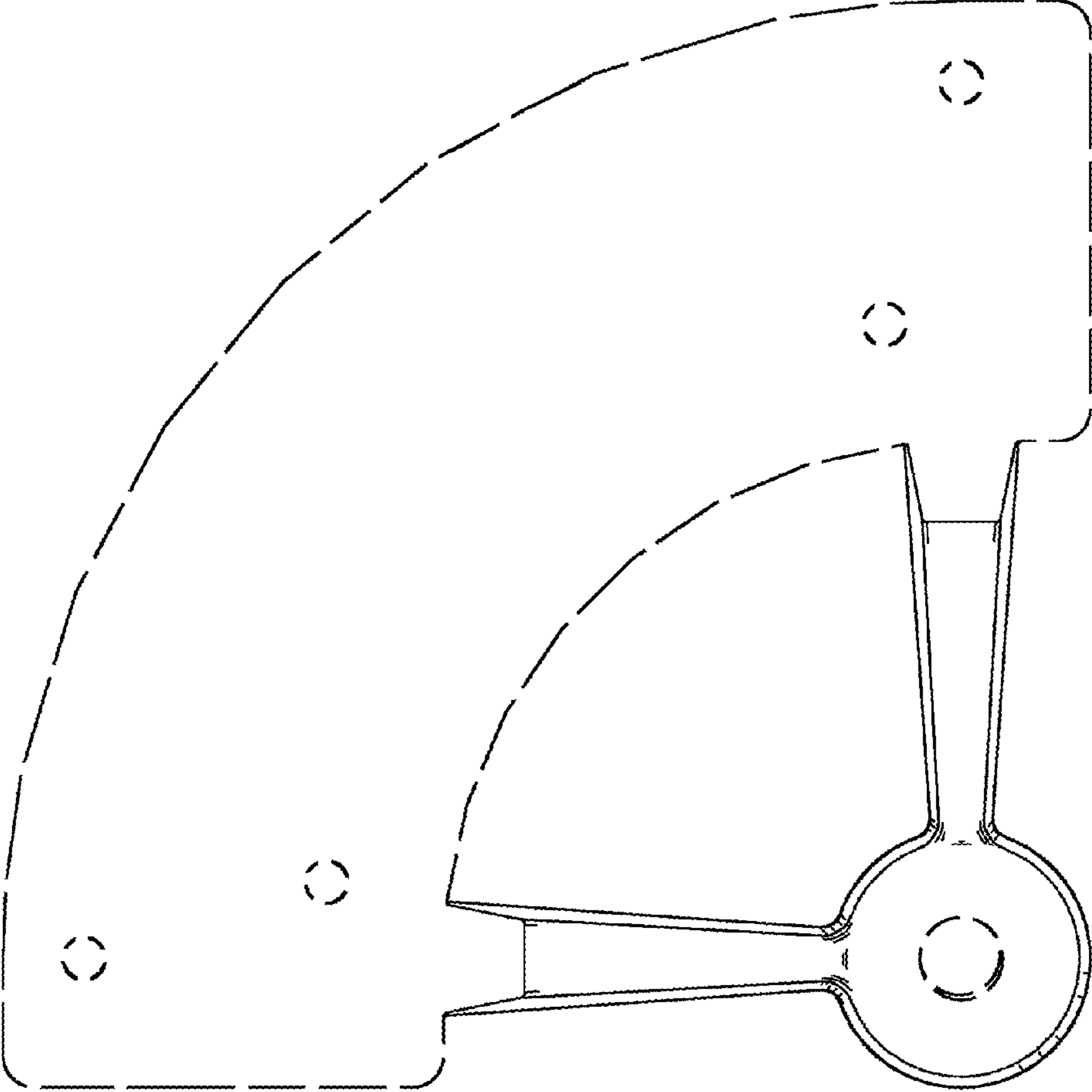


FIG. 5

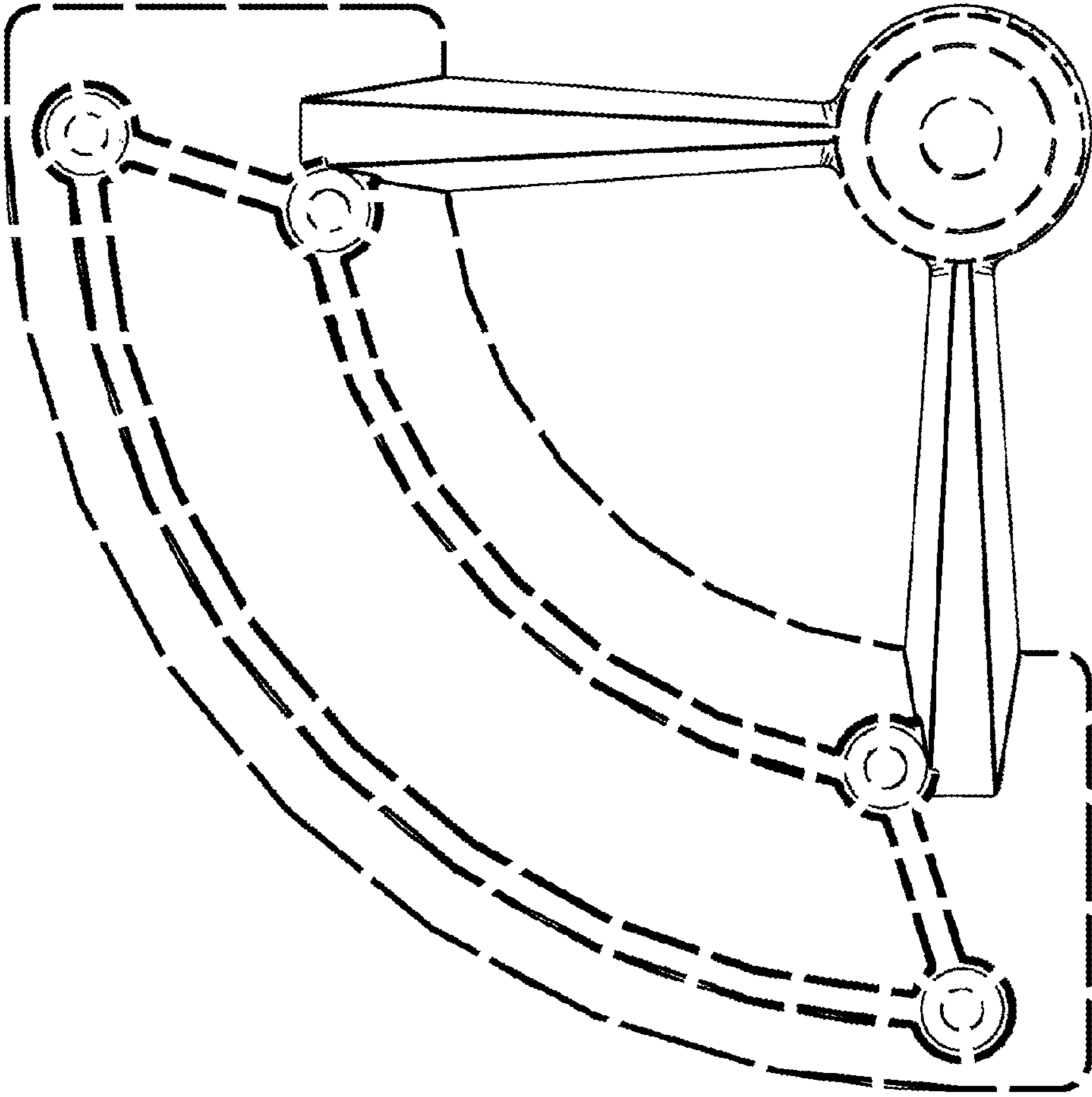


FIG. 6

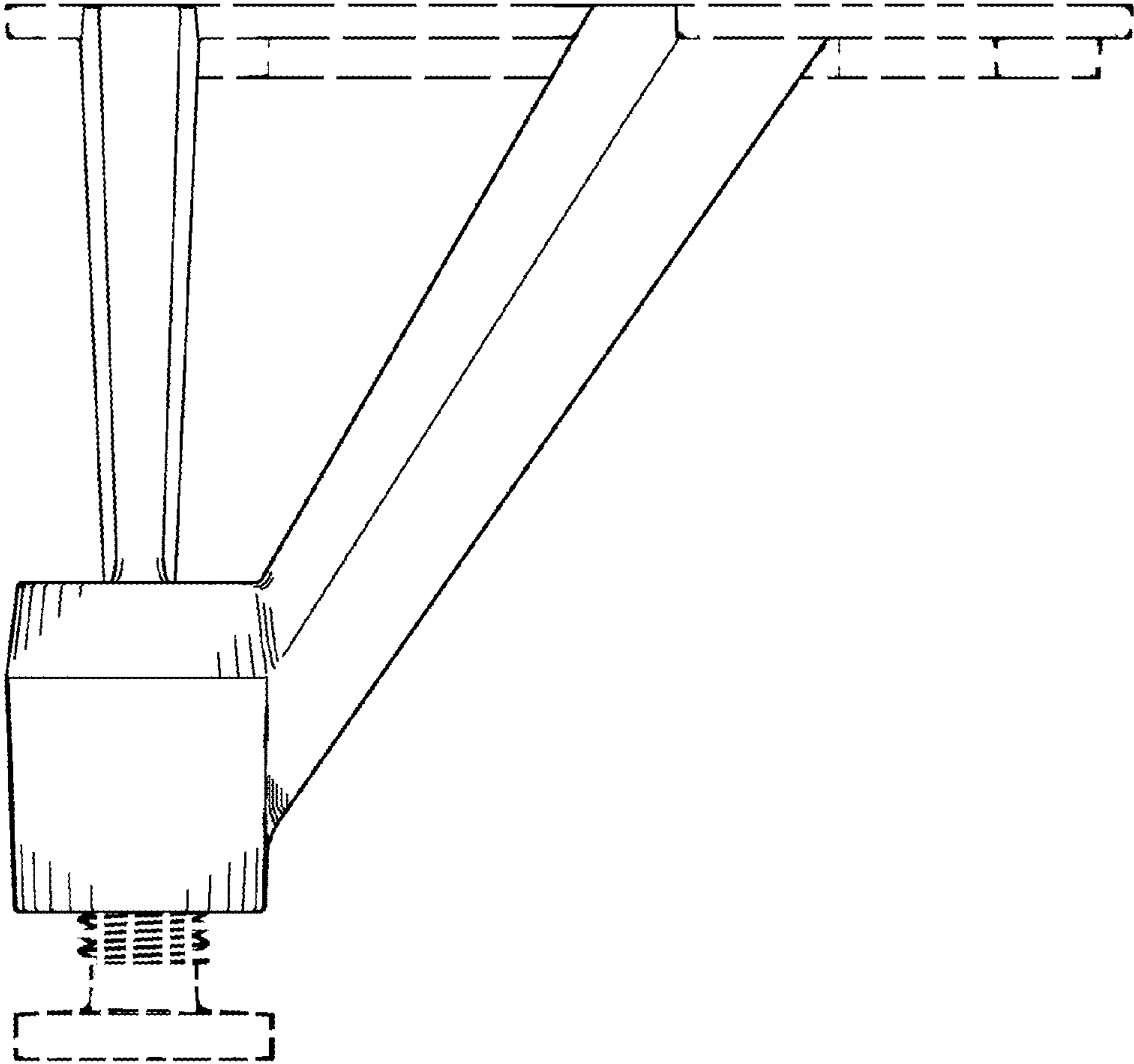


FIG. 7

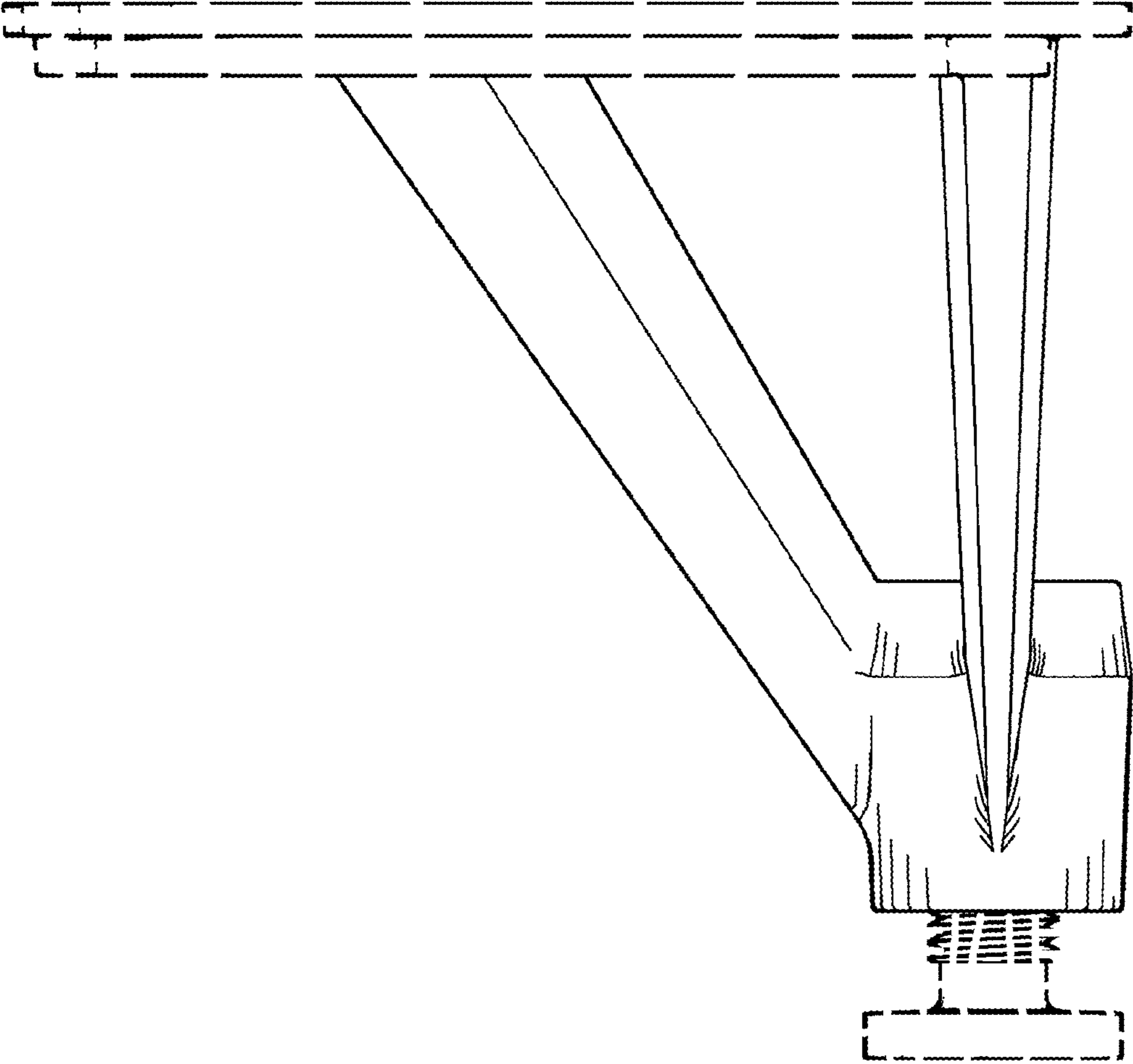


FIG. 8

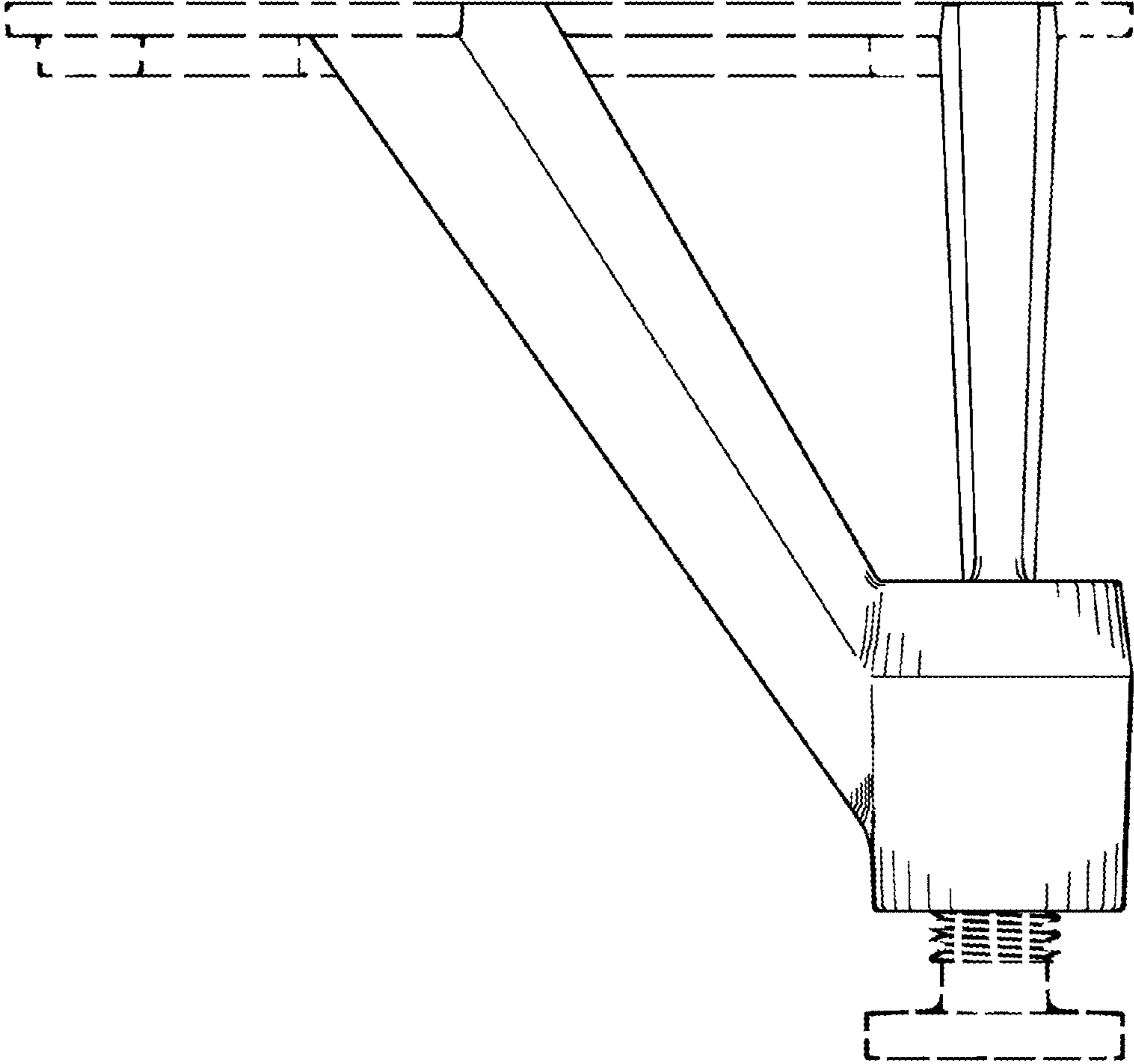
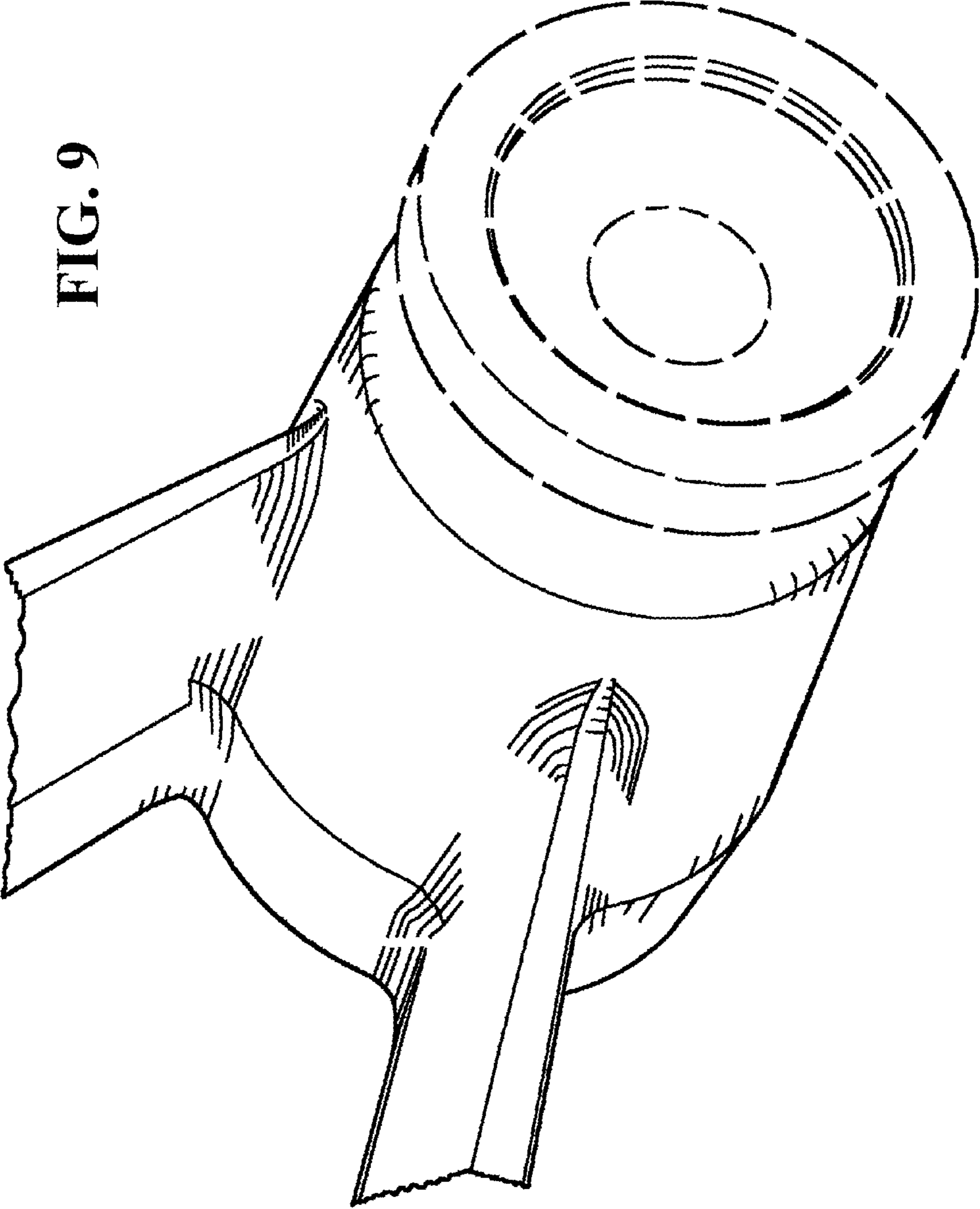


FIG. 9



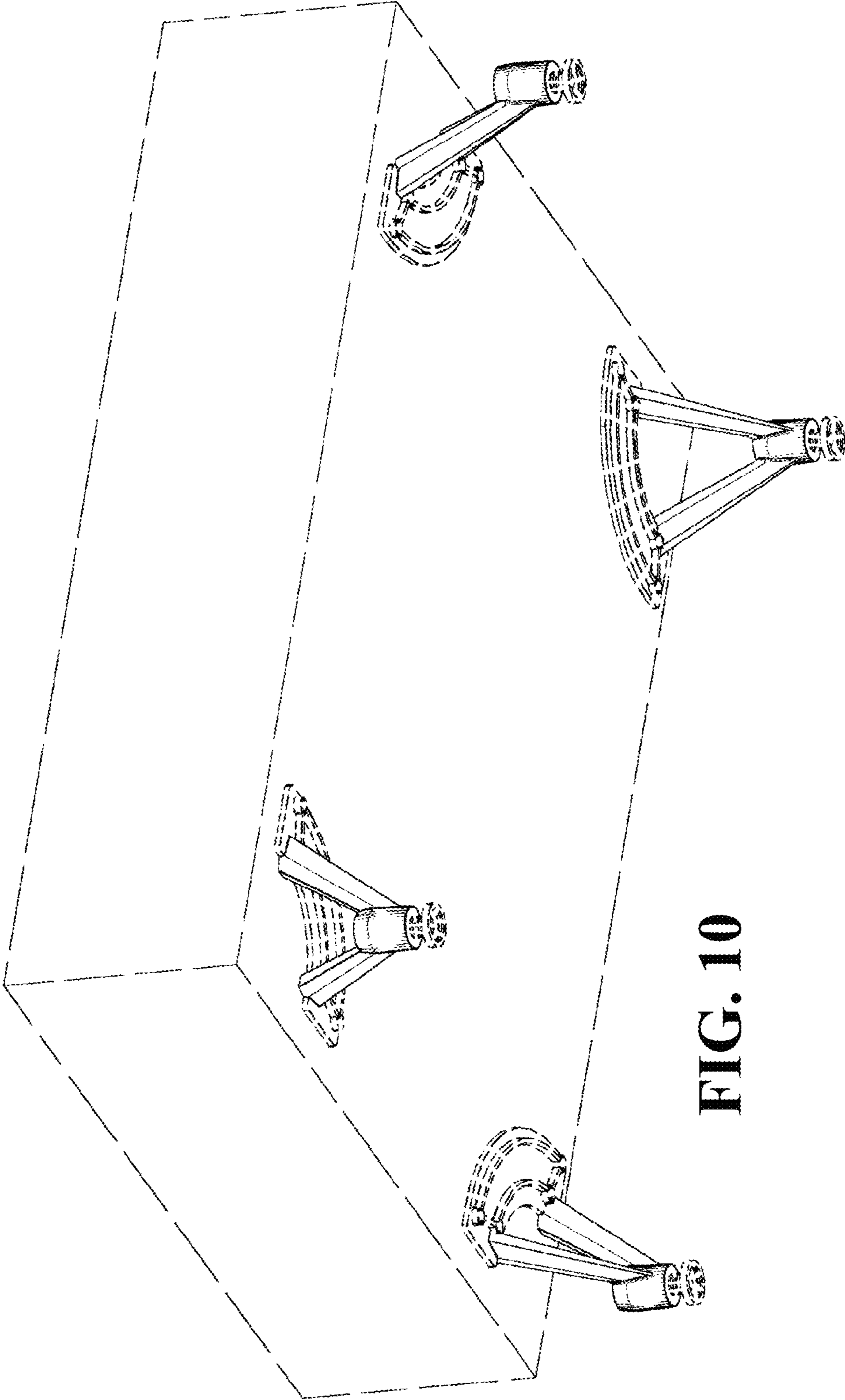


FIG. 10

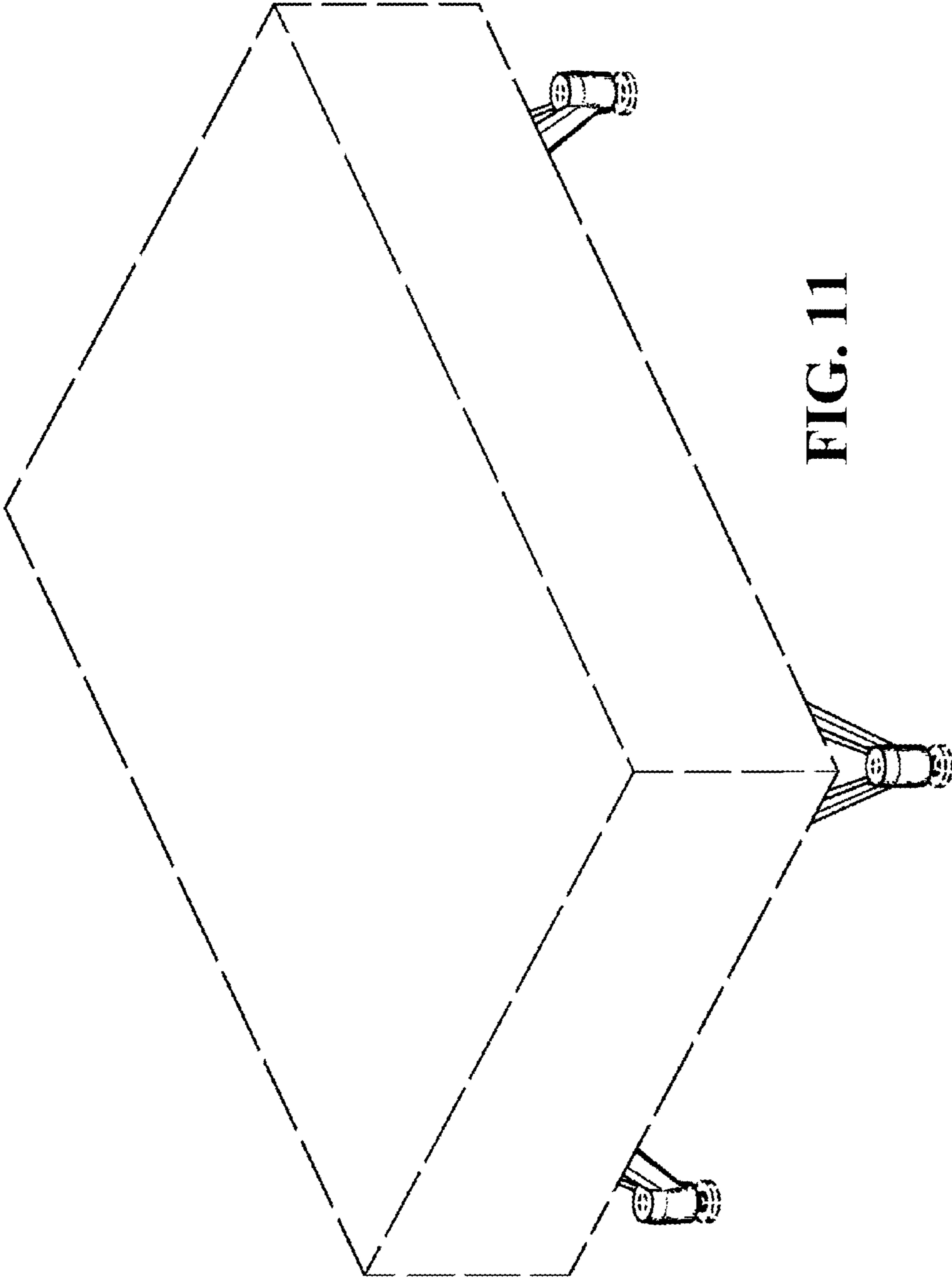


FIG. 11

FIG. 12

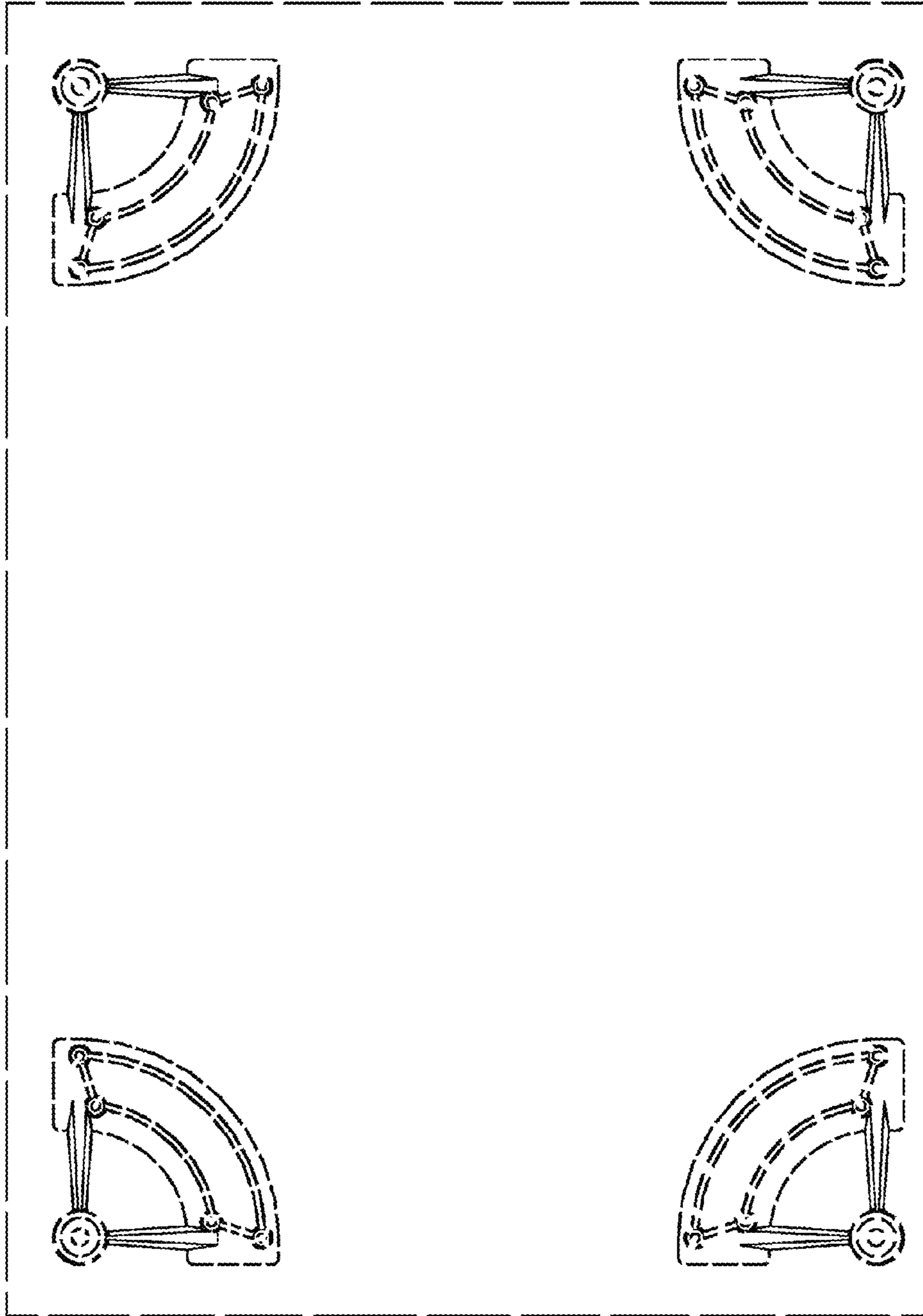


FIG. 13

