

US00D761045S

(12) **United States Design Patent**
Hassinen et al.

(10) **Patent No.:** **US D761,045 S**
(45) **Date of Patent:** **** Jul. 12, 2016**

(54) **ADJUSTABLE BAG HOLDER**
(71) Applicants: **Marko Hassinen**, Lake Worth, FL (US);
William Ruffenach, Lake Worth, FL
(US)

(72) Inventors: **Marko Hassinen**, Lake Worth, FL (US);
William Ruffenach, Lake Worth, FL
(US)

(**) Term: **14 Years**

(21) Appl. No.: **29/522,808**

(22) Filed: **Apr. 2, 2015**

(51) **LOC (10) Cl.** **06-06**

(52) **U.S. Cl.**
USPC **D6/683**

(58) **Field of Classification Search**
USPC D34/1, 4-27; D6/566, 678, 680.2, 682,
D6/682.3, 683
CPC B65F 1/1415; B65F 2240/138; B65F
2001/061; B65F 2220/106
See application file for complete search history.

(56) **References Cited**

U.S. PATENT DOCUMENTS

4,267,997 A * 5/1981 Meier B65B 67/1227
220/491
4,805,857 A * 2/1989 Travis B65B 67/1227
248/97
D367,345 S * 2/1996 Swenor D34/6

D391,722 S * 3/1998 Sheppard D34/5
6,267,334 B1 * 7/2001 Siu B65F 1/1415
248/95
D648,912 S * 11/2011 Cantu D34/6
D657,520 S * 4/2012 Jachim D34/6
D733,986 S * 7/2015 Edwards D34/6

* cited by examiner

Primary Examiner — Kelley Donnelly

(74) *Attorney, Agent, or Firm* — McHale & Slavin, P.A.

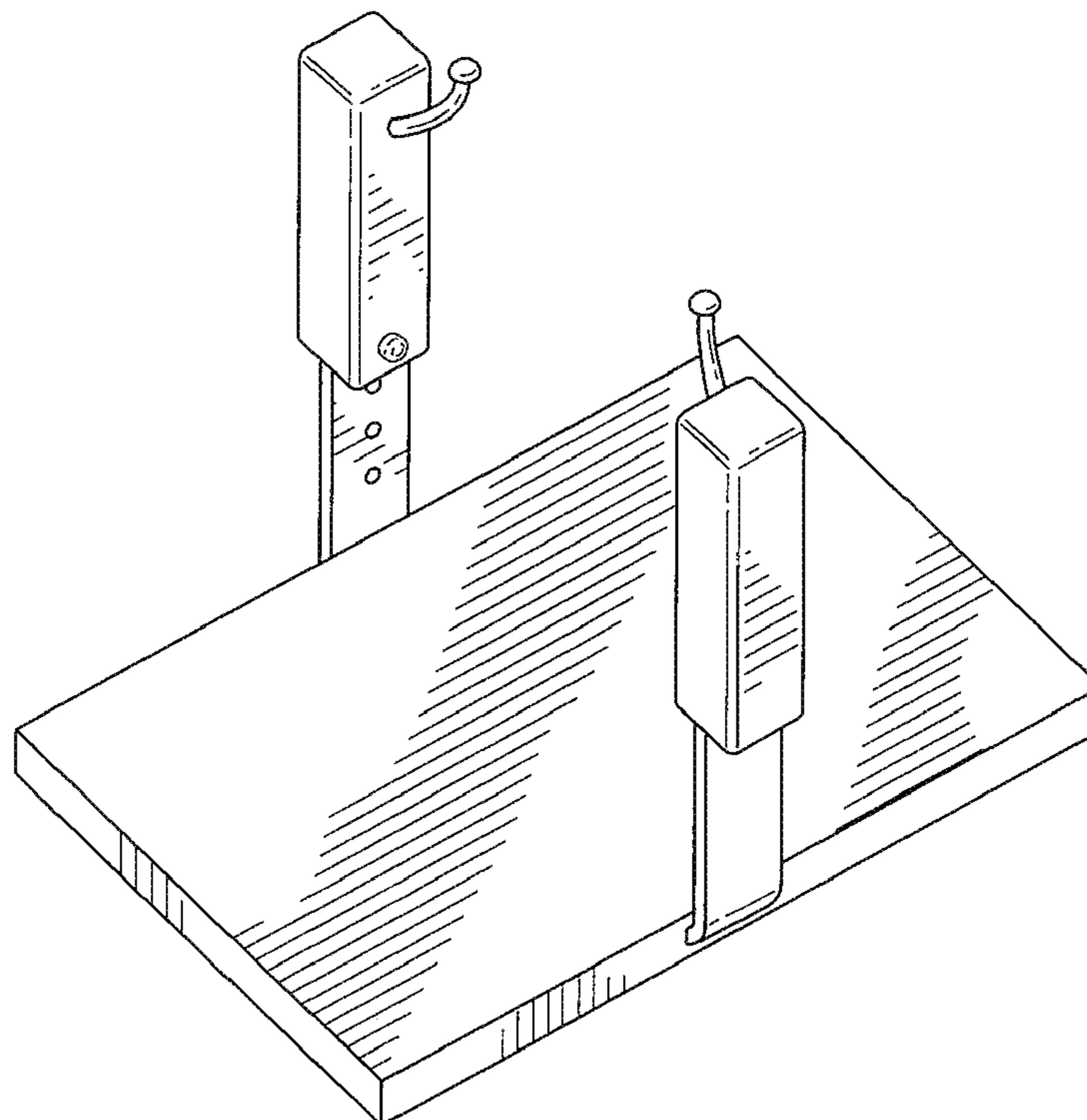
(57) **CLAIM**

The ornamental design for an adjustable bag holder, as shown and described.

DESCRIPTION

FIG. 1 is a top perspective view of the adjustable bag holder of the instant invention;
FIG. 2 is a front view thereof;
FIG. 3 is a rear view thereof;
FIG. 4 is a right side view thereof;
FIG. 5 is a left side view thereof;
FIG. 6 is a top view thereof;
FIG. 7 is a bottom view thereof;
FIG. 8 is a front view illustrating a small bag; and,
FIG. 9 is a front view illustrating a large bag.
The broken lines shown in the figures (portions of the design shown in broken/dashed lines) are included for the purpose of illustrating environment and form no part of the claimed design.

1 Claim, 3 Drawing Sheets



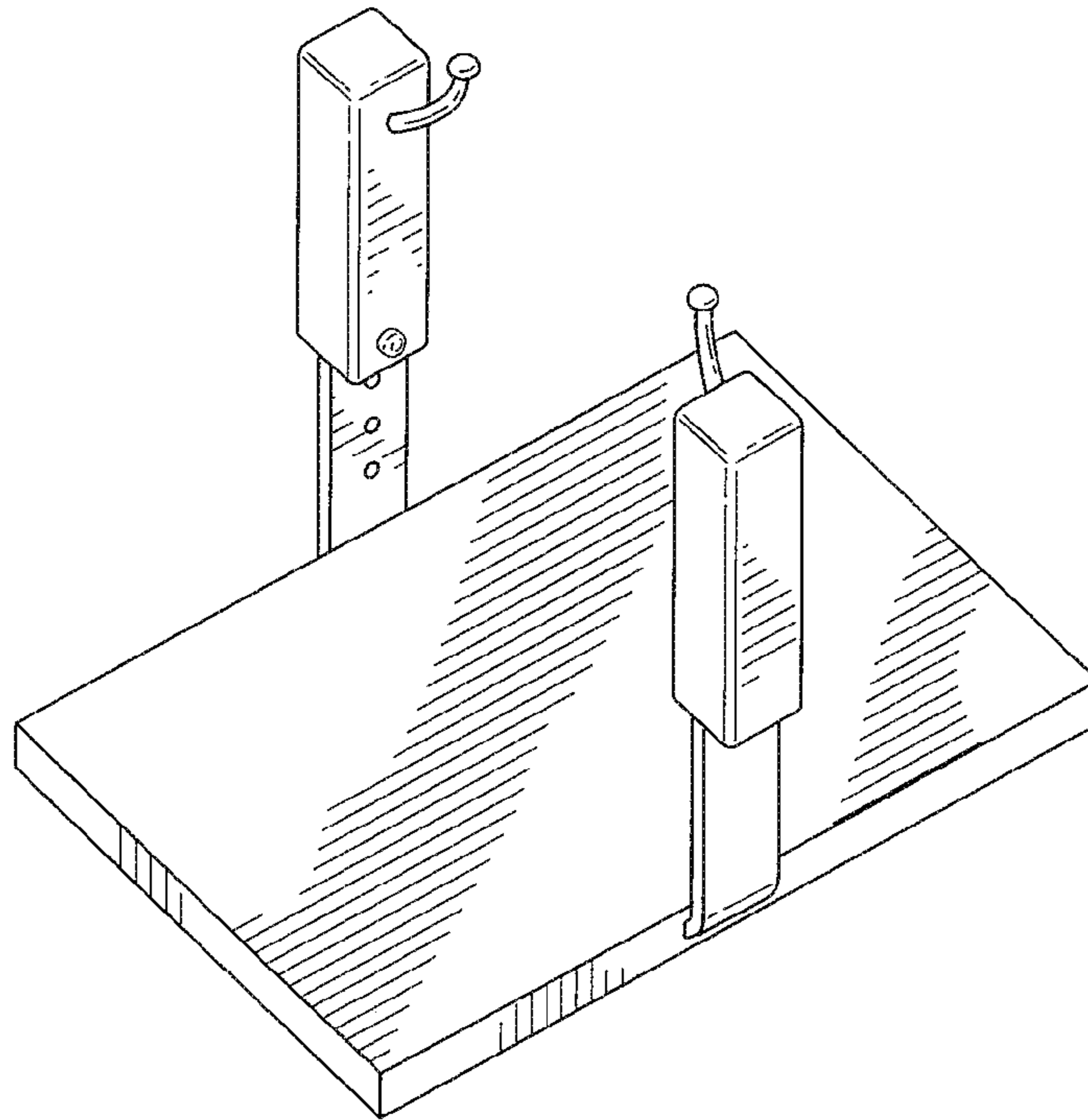


FIG. 1

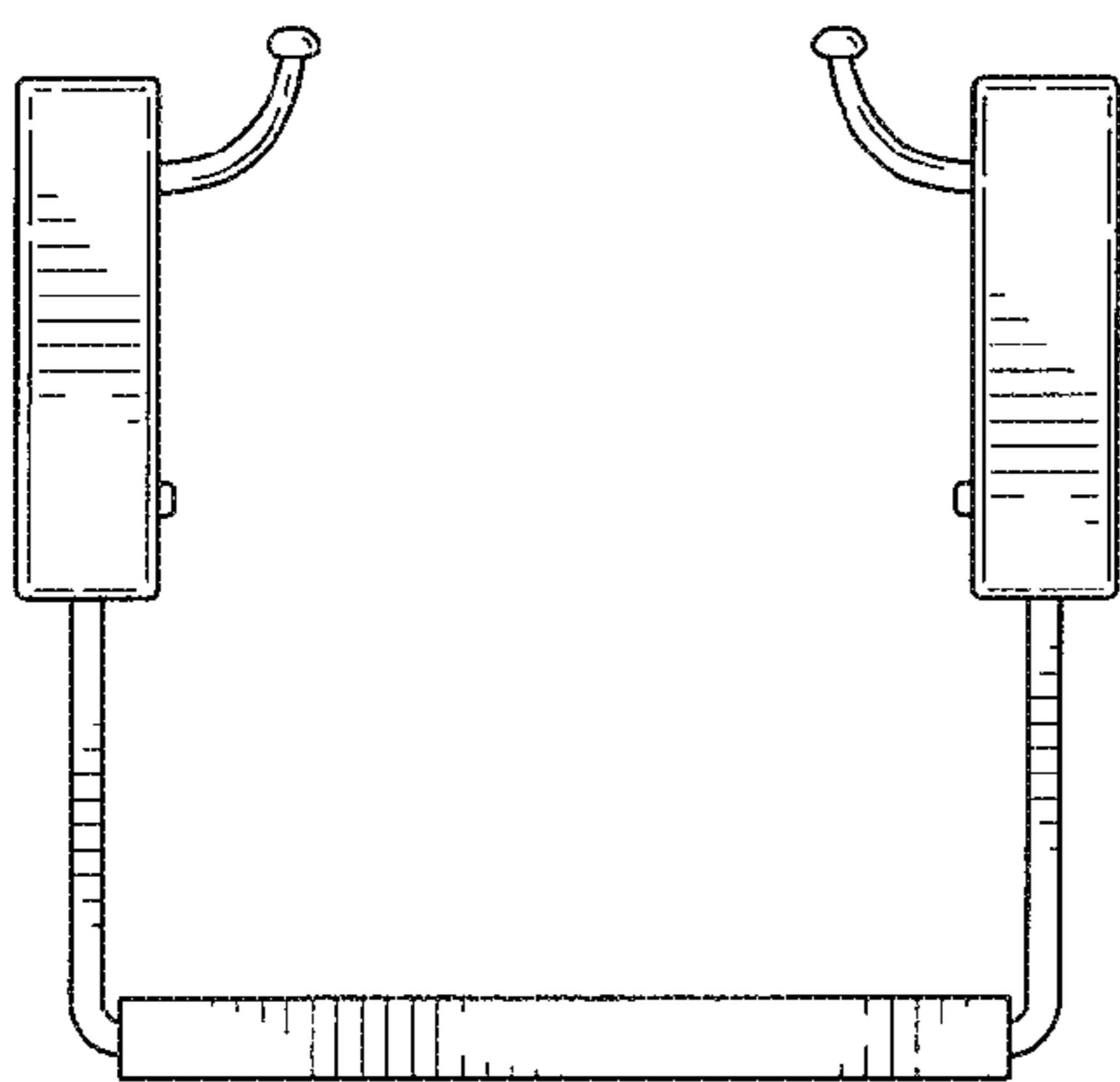


FIG. 2

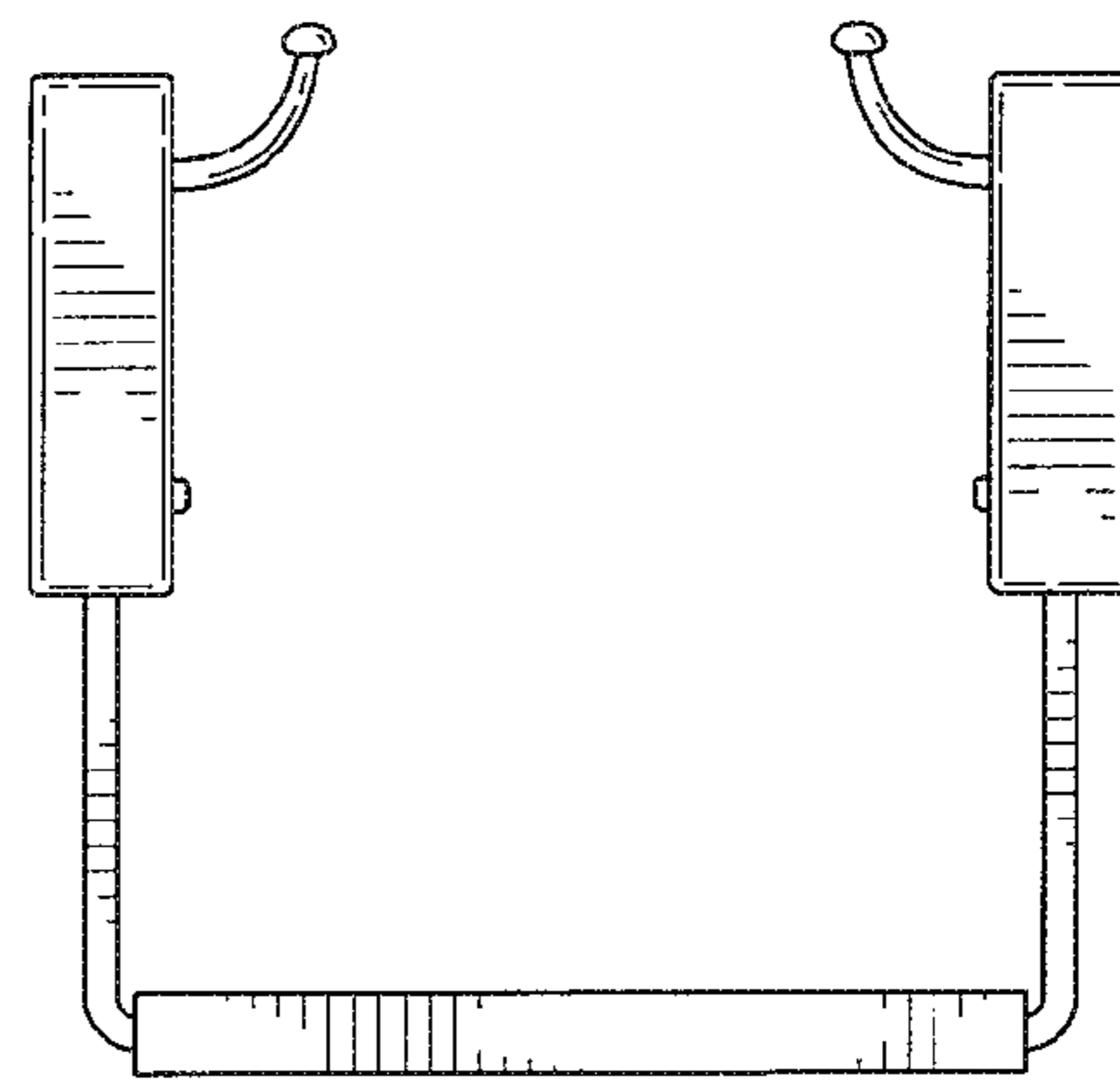


FIG. 3

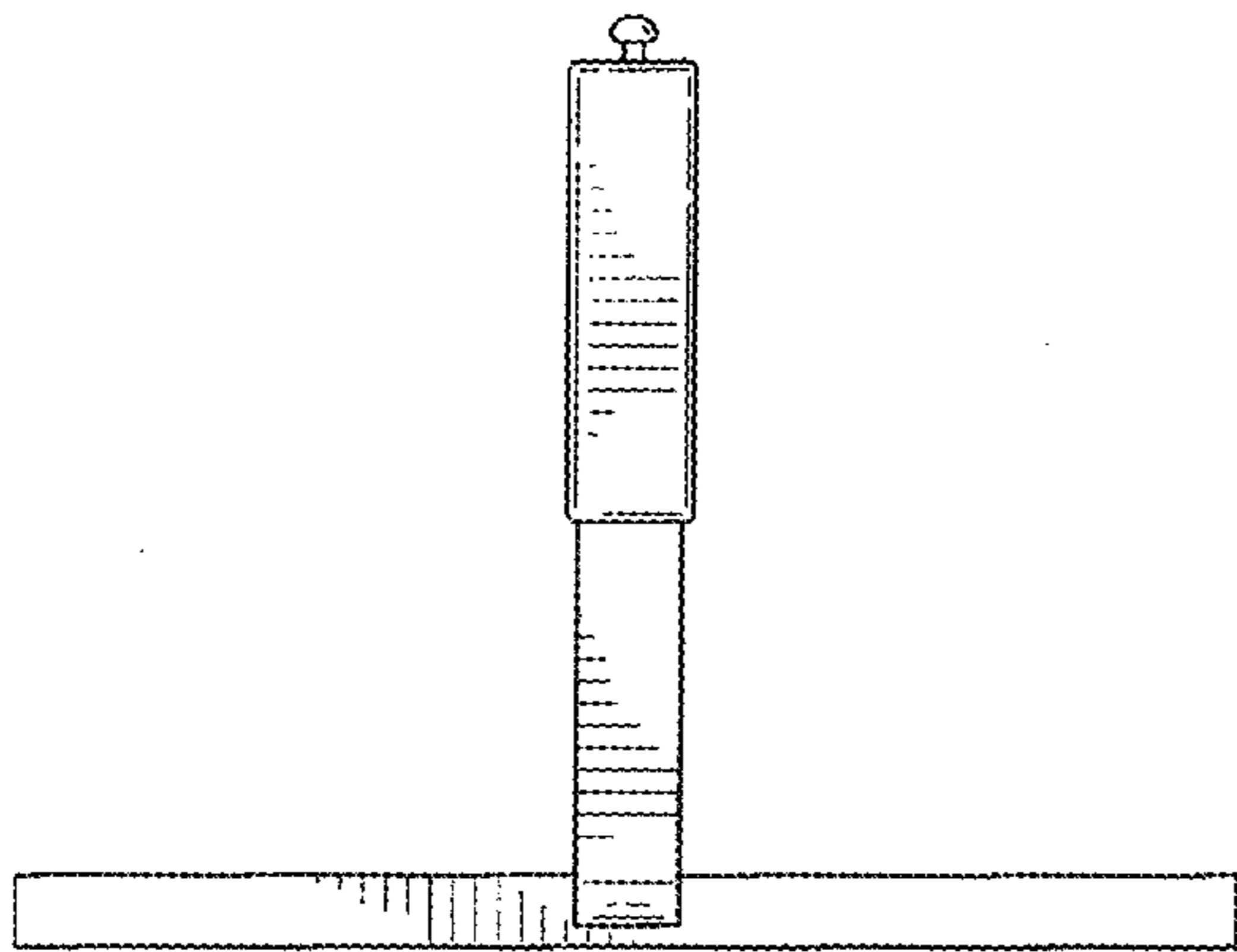


FIG. 4

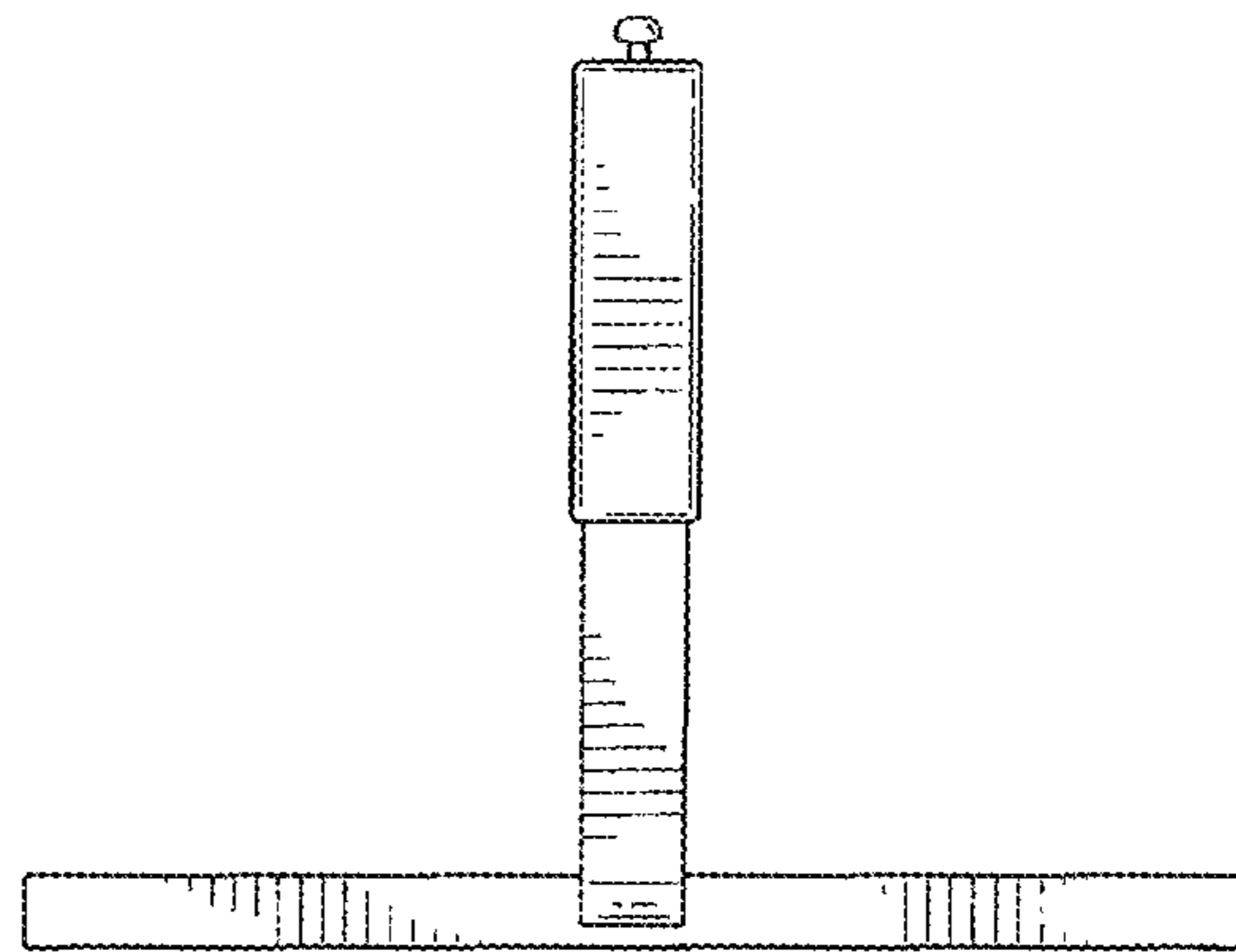


FIG. 5

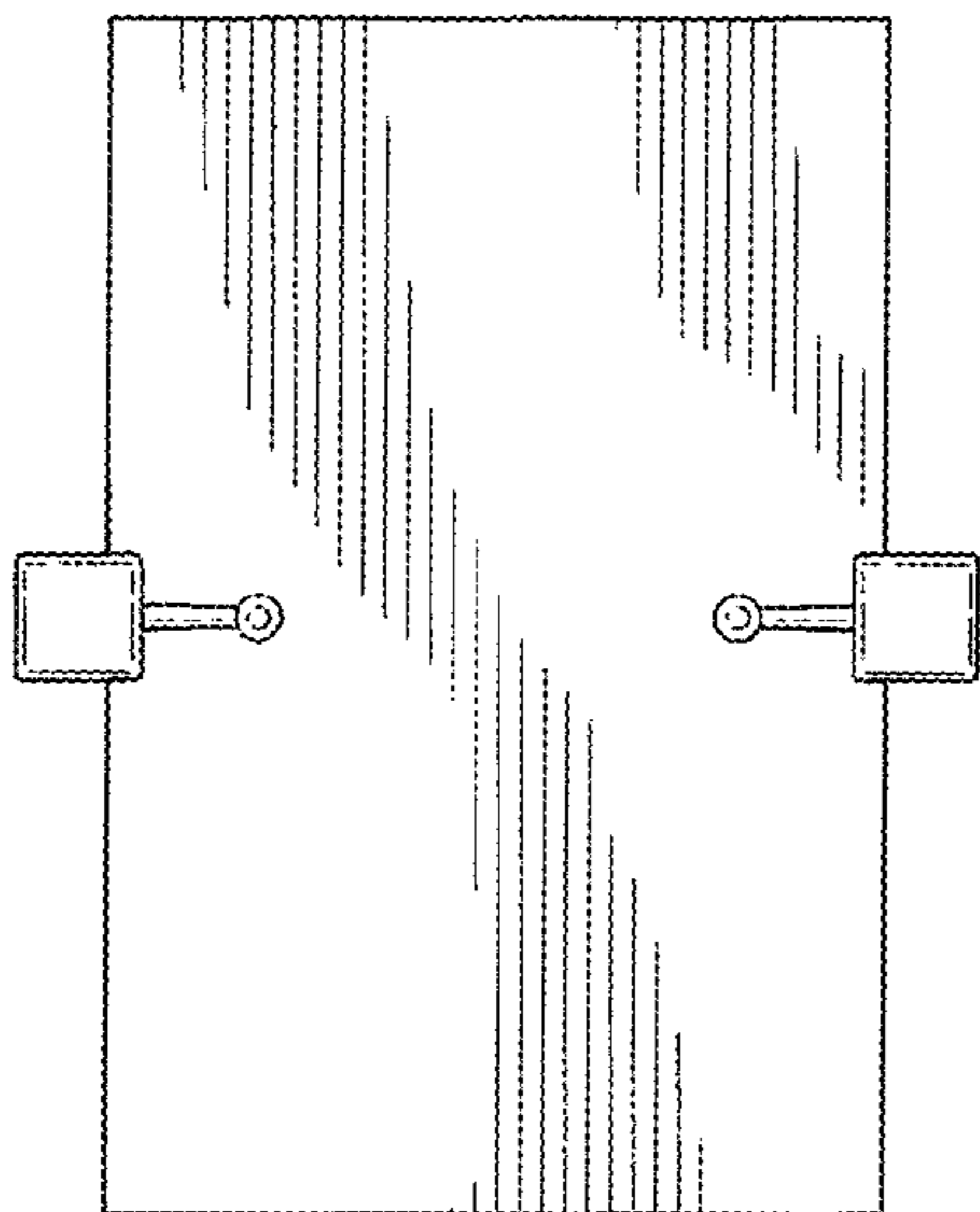


FIG. 6

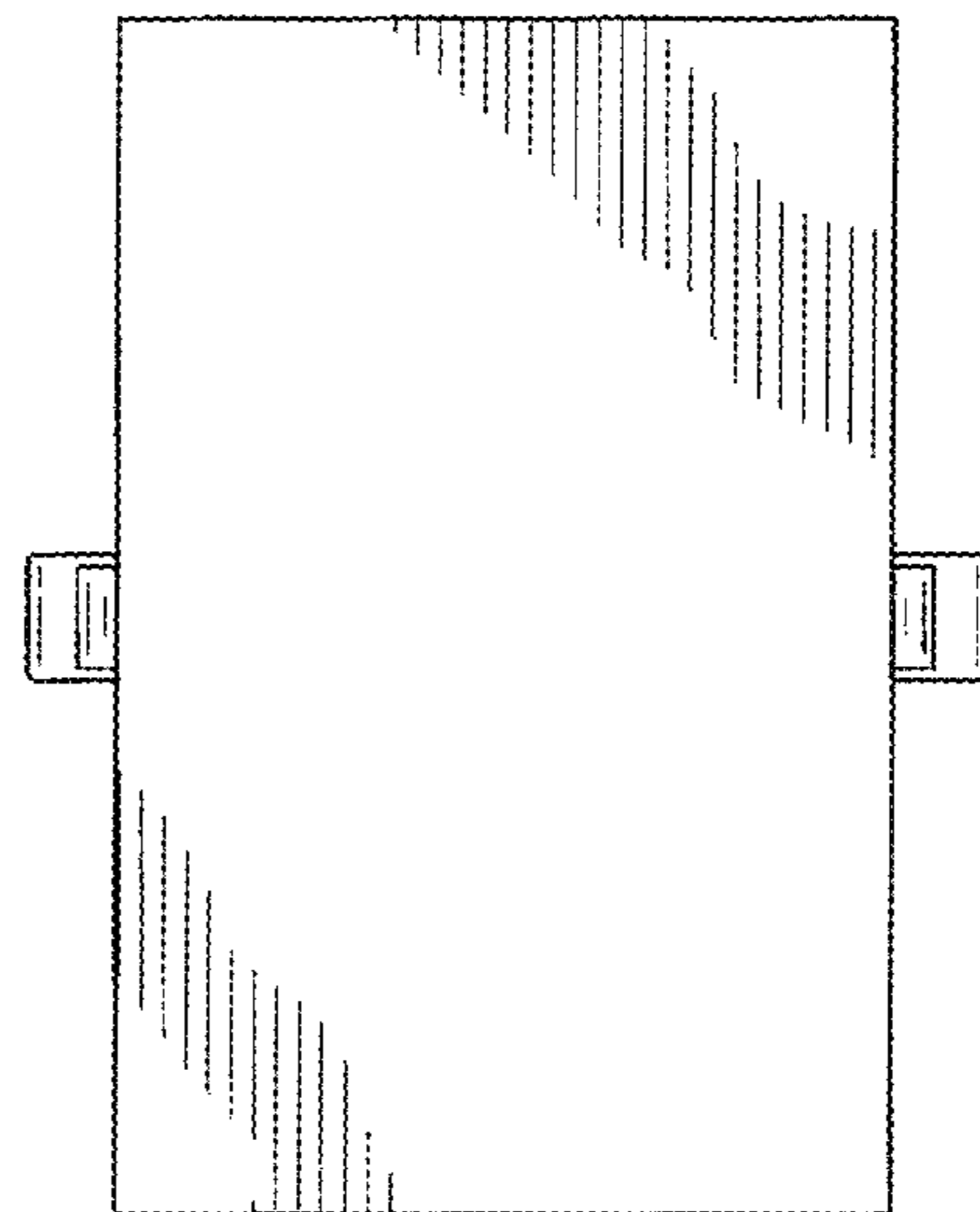


FIG. 7

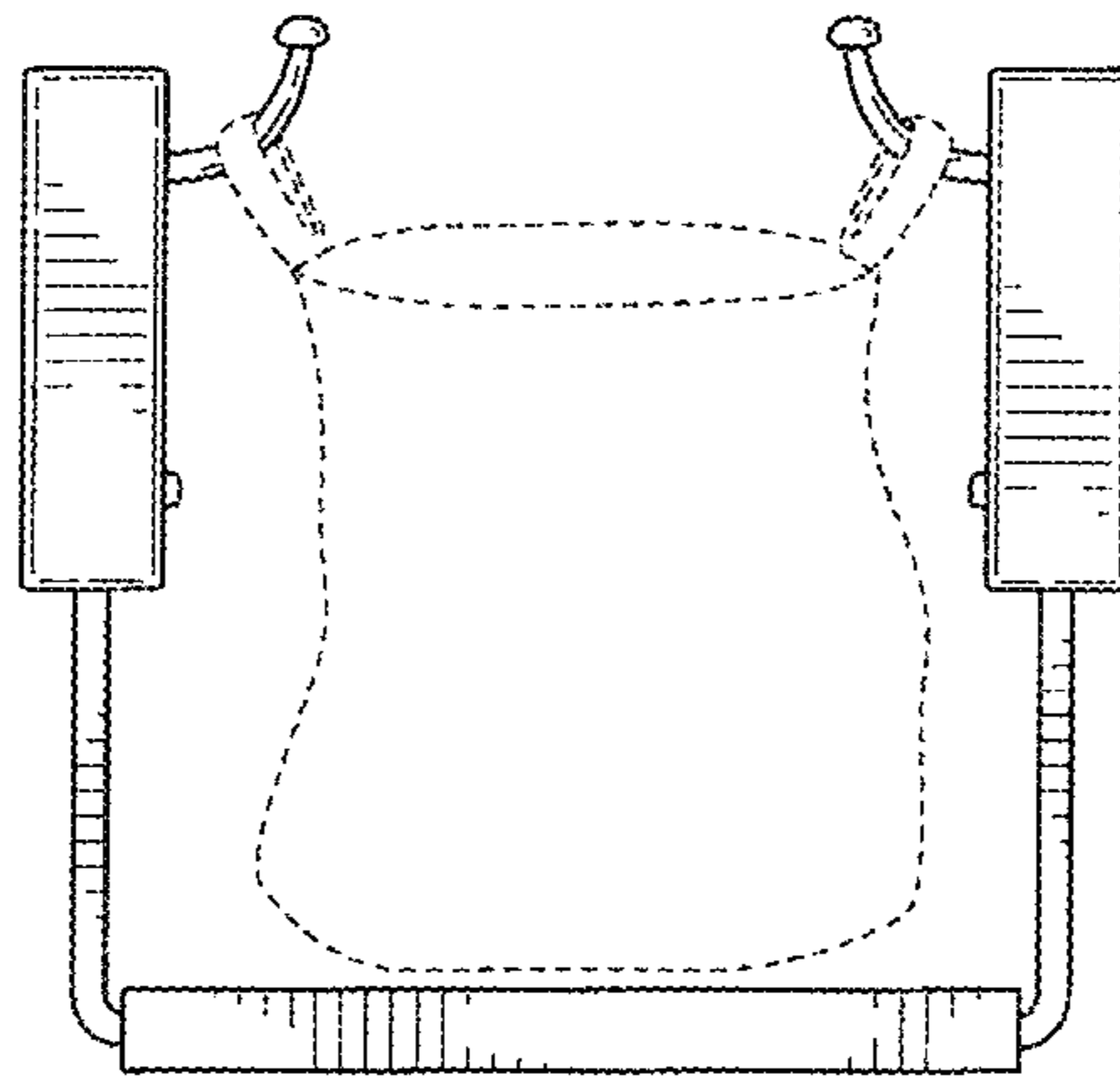


FIG. 8

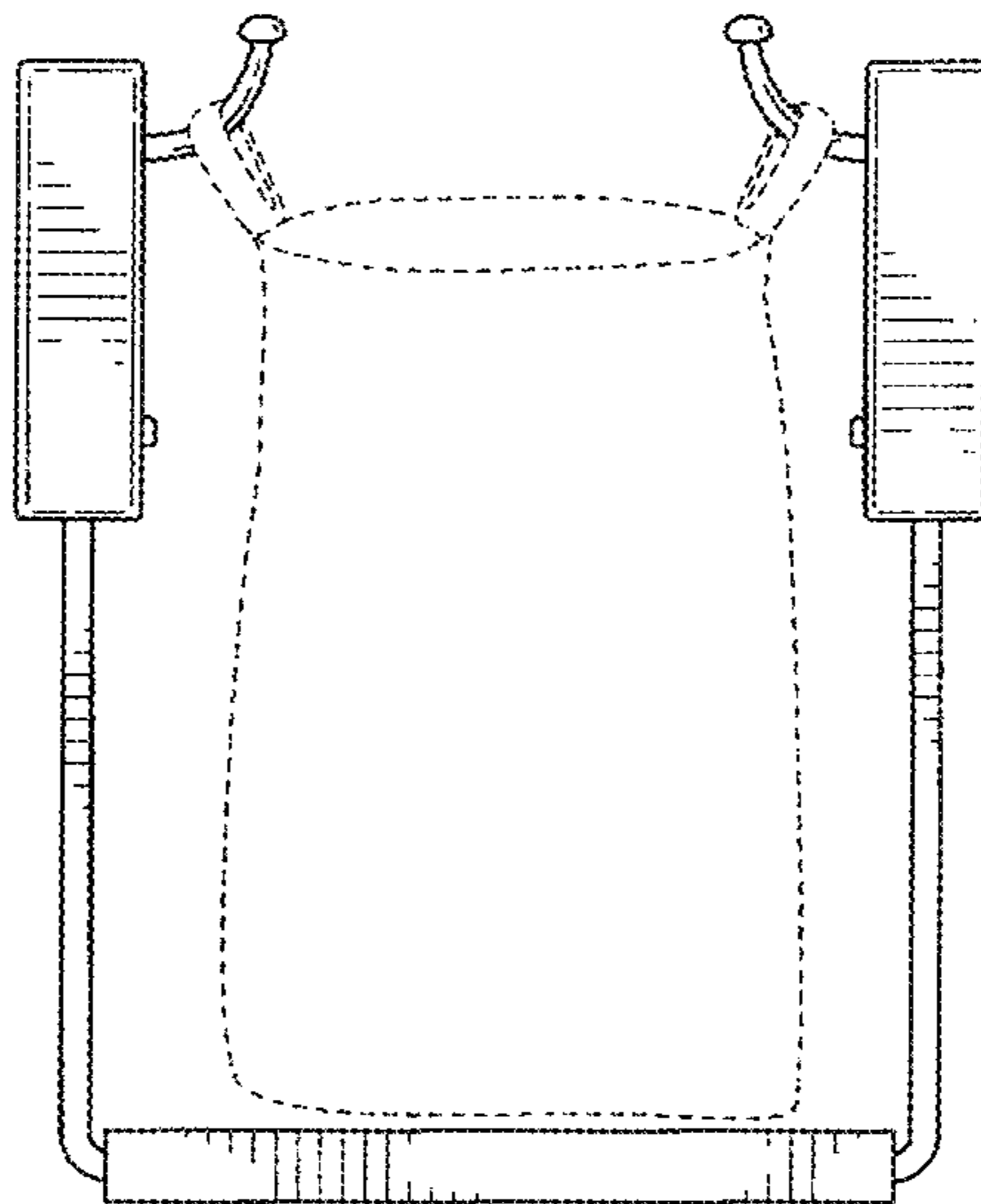


FIG. 9