



US00D761042S

(12) **United States Design Patent**
Whaley

(10) **Patent No.:** **US D761,042 S**
(45) **Date of Patent:** **** Jul. 12, 2016**

(54) **MULTI-PURPOSE ADJUSTABLE RETAINING DEVICE**

(71) Applicant: **Bed Band Store, LLC**, Dublin, TX (US)

(72) Inventor: **Jamie D. Whaley**, Dublin, TX (US)

(73) Assignee: **Bed Band Store, LLC**, Dublin, TX (US)

(**) Term: **14 Years**

(21) Appl. No.: **29/497,251**

(22) Filed: **Jul. 22, 2014**

(51) **LOC (10) Cl.** **06-99**

(52) **U.S. Cl.**
USPC **D6/607**

(58) **Field of Classification Search**
USPC D6/595, 596, 606, 607; D8/394, 395;
D2/624, 625, 639, 999
CPC A47C 21/00; A47C 21/02; A47C 21/022;
F16B 5/06; F16B 5/00; F16B 2/18; F16B
2/08; F16G 11/04; A44B 11/06
See application file for complete search history.

(56) **References Cited**

U.S. PATENT DOCUMENTS

481,425	A	8/1892	Robinson	
875,006	A	12/1907	Smith	
4,662,016	A	5/1987	Seeman	
D294,910	S *	3/1988	Garding	D6/607
D297,999	S *	10/1988	Kent	D6/607
5,144,695	A	9/1992	Schweizer	
5,351,367	A	10/1994	Kennedy et al.	
5,459,903	A	10/1995	Treacy	
5,611,118	A	3/1997	Bibbee	
5,657,557	A	8/1997	Hull et al.	
D386,929	S *	12/1997	Jaeger	D6/607
D387,602	S *	12/1997	Cerdan	D6/607
D393,183	S *	4/1998	Kurtzman	D11/200

D448,230	S *	9/2001	Gillin	D6/607
6,442,762	B1	9/2002	Neumann	
D481,579	S *	11/2003	Colbert	D6/607
7,020,935	B2	4/2006	Behn et al.	
D539,697	S	4/2007	Mackay	
D685,256	S *	7/2013	Funger	D8/395
D690,539	S *	10/2013	Grill	D6/607
D699,406	S *	2/2014	Stolte	D30/153
D709,756	S *	7/2014	Reynolds	D32/63
2006/0211336	A1	9/2006	Brigham	
2010/0325842	A1	12/2010	Rivera	
2012/0005867	A1	1/2012	Whaley	

OTHER PUBLICATIONS

Bed Band Bed Sheet Holder, Gripper, Suspender and Strap, posted on Amazon.com, Customer Review by Maggie on Jan. 31, 2011. Available from Internet at: <http://www.amazon.com/Bed-Band-Holder-Gripper-Suspender/dp/B004I3VDWY.html>.*

* cited by examiner

Primary Examiner — Karen S Acker

Assistant Examiner — Carmen Arellano-Lado

(74) *Attorney, Agent, or Firm* — Scott T. Griggs; Griggs Bergen LLP

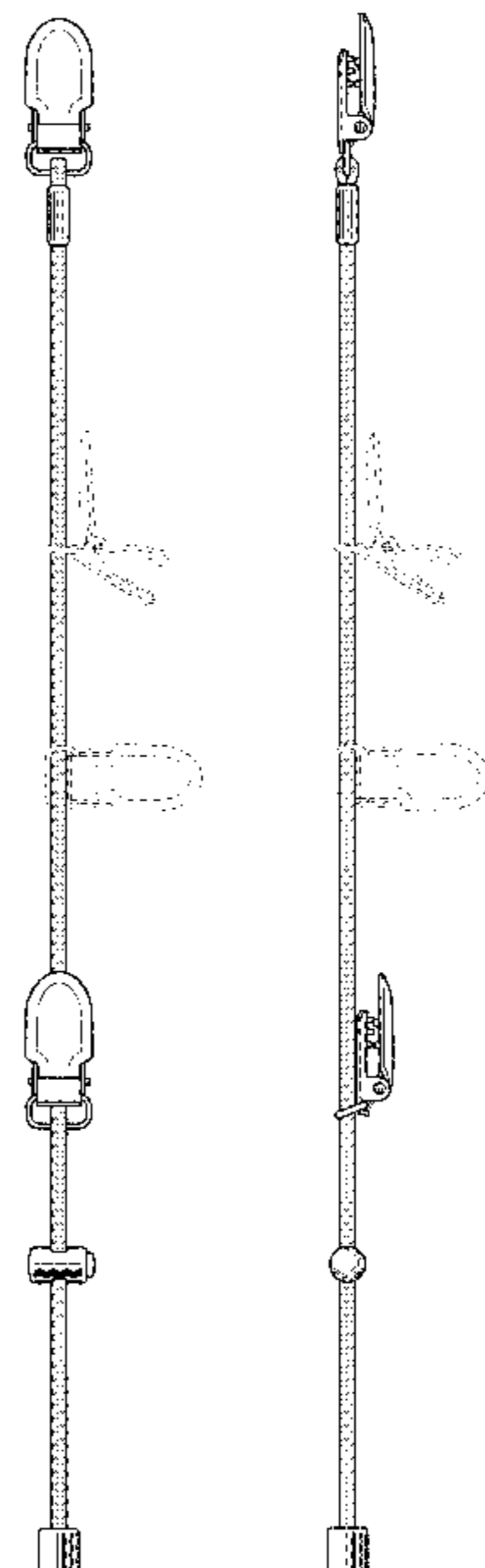
(57) **CLAIM**

The ornamental design for a multi-purpose adjustable retaining device, as shown and described.

DESCRIPTION

FIG. 1 is a top plan view of a multi-purpose adjustable retaining device showing my new design; FIG. 2 is a bottom plan view thereof; FIG. 3 is a left side view thereof; and, FIG. 4 is a right side view thereof. The broken lines depict portions of the multi-purpose adjustable retaining device that form no part of the claimed design.

1 Claim, 1 Drawing Sheet



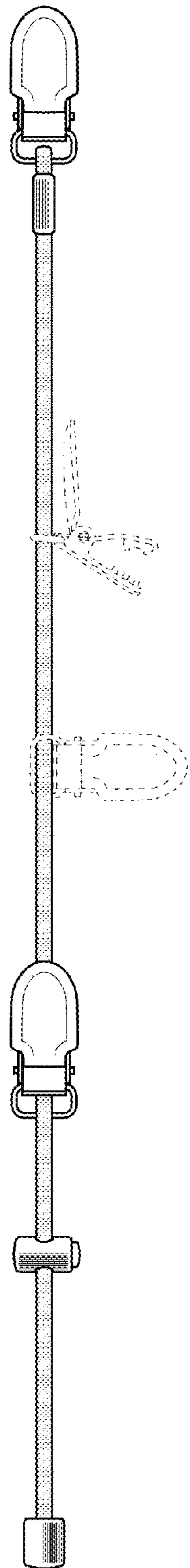


Fig.1

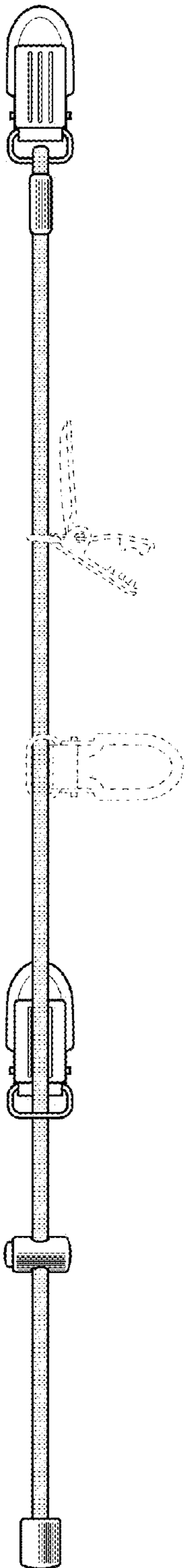


Fig.2

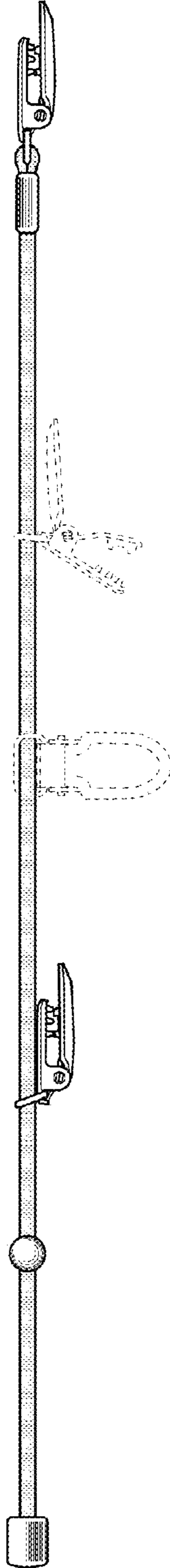


Fig.3

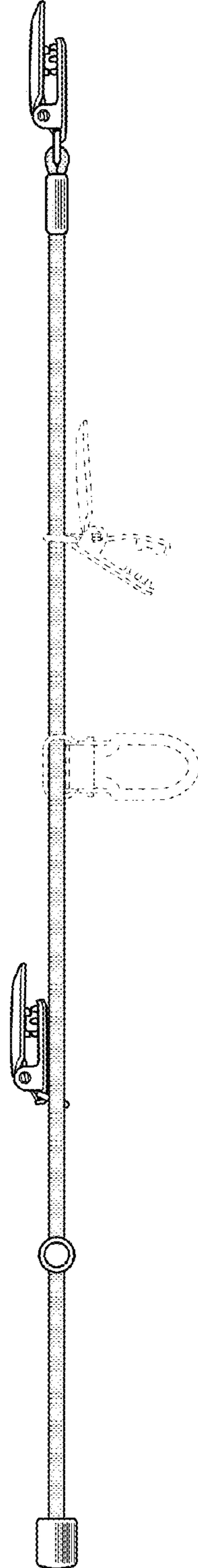


Fig.4