



US00D761040S

(12) **United States Design Patent**  
**Barclay**

(10) **Patent No.:** **US D761,040 S**  
(45) **Date of Patent:** **\*\* Jul. 12, 2016**

- (54) **LIQUID DISPENSER**
- (71) Applicant: **Keith Allen Barclay**, Middlesex, NJ  
(US)
- (72) Inventor: **Keith Allen Barclay**, Middlesex, NJ  
(US)
- (\*\*) Term: **14 Years**
- (21) Appl. No.: **29/493,796**
- (22) Filed: **Jun. 13, 2014**
- (51) **LOC (10) Cl.** ..... **23-02**
- (52) **U.S. Cl.**  
USPC ..... **D6/542**
- (58) **Field of Classification Search**  
USPC ..... D6/512, 524, 542, 543, 544, 545;  
D9/690, 691, 448, 682, 688;  
D10/113.2  
CPC ..... A47F 1/085; A47G 19/24; A47G 21/12;  
B65D 83/267; B65D 23/003; B65D 47/121;  
B67D 3/0029; A47K 5/02  
See application file for complete search history.

8,365,963	B2 *	2/2013	McCullough	.....	A47K 5/12 222/153.01
D699,111	S *	2/2014	Jeong	.....	D9/504
D702,130	S *	4/2014	Handy	.....	D9/691
D705,665	S *	5/2014	Shafer	.....	D9/690
D710,203	S *	8/2014	Becker	.....	D9/500
D713,167	S *	9/2014	Snell	.....	D6/542
D727,065	S *	4/2015	DeChristofaro	.....	D6/542
2006/0144861	A1 *	7/2006	Harrison	.....	A47K 5/12 222/173
2009/0188943	A1 *	7/2009	McCullough	.....	A47K 5/12 222/173
2010/0018607	A1 *	1/2010	Cuzydlo	.....	A61M 16/186 141/311 R
2012/0006851	A1 *	1/2012	McCullough	.....	A47K 5/12 222/173
2015/0053721	A1 *	2/2015	Barclay	.....	A47K 5/1211 222/180

\* cited by examiner  
*Primary Examiner* — John Windmuller  
*Assistant Examiner* — Steven Cxyz

(57) **CLAIM**  
The ornamental design for a liquid dispenser, as shown and described.

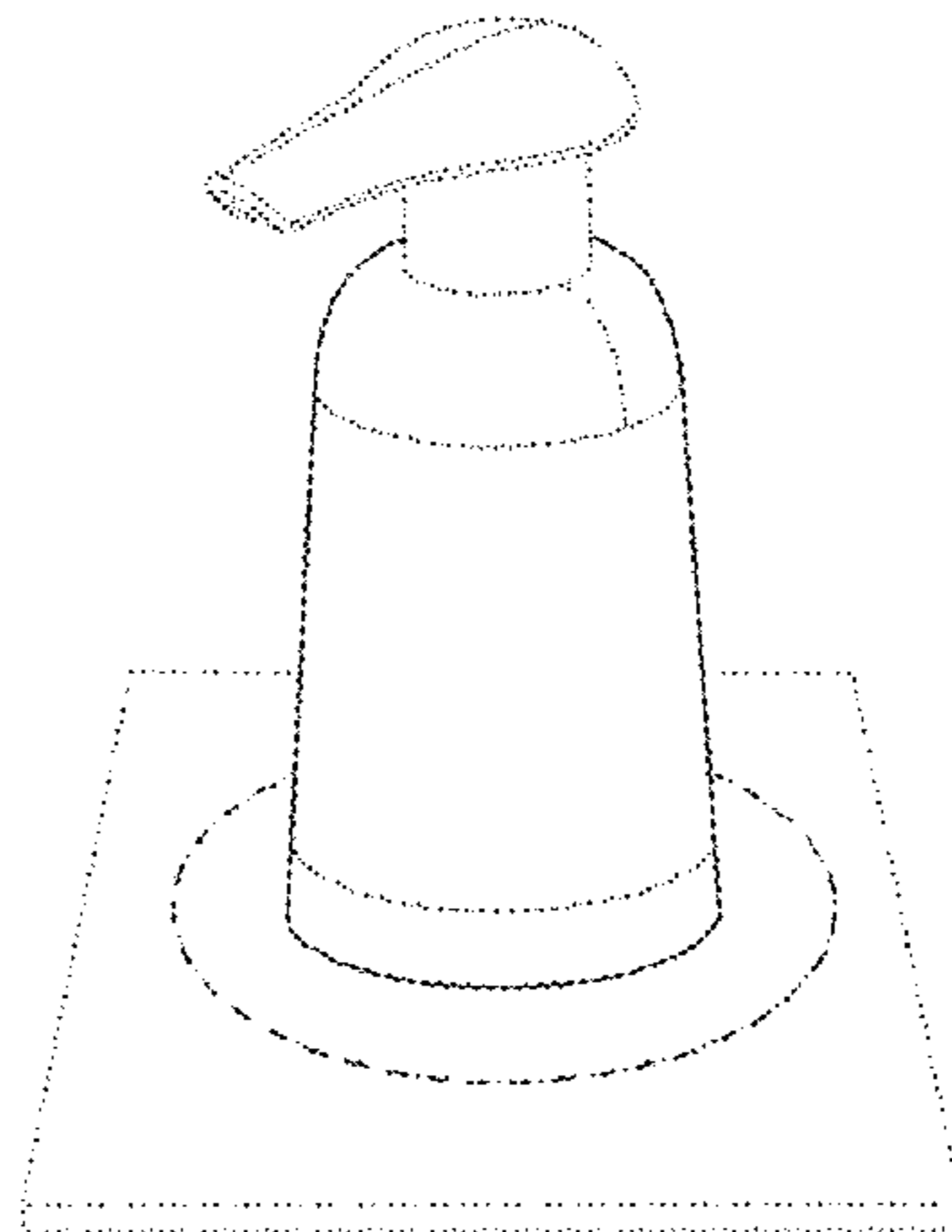
**DESCRIPTION**

The present application is related to U.S. patent application Ser. No. 14/303,993, filed by the Applicant on the same day as this application and having a title of "Quick Disconnect Built-In Dispenser," the disclosure of which is incorporated by reference herein in its entirety.  
FIG. 1 is a perspective view of liquid dispenser showing my new design;  
FIG. 2 is a right side view thereof;  
FIG. 3 is a left side view thereof;  
FIG. 4 is a front view thereof;  
FIG. 5 is a back view thereof;  
FIG. 6 is a top plan view thereof;  
FIG. 7 is a bottom plan view thereof; and,  
FIG. 8 is a perspective view of my liquid dispenser mounted to the surface of a countertop next to a sink.  
The broken lines shown in the drawings represent portions of the liquid dispenser and/or surface that form no part of the claimed design. Additionally, the dot-dashed lines in the figures represent boundary lines defining a boundary of certain aspects of the claimed design. It is to be understood that the claimed design extends to but does not include the defined boundary.

**1 Claim, 4 Drawing Sheets**

(56) **References Cited**  
U.S. PATENT DOCUMENTS

D286,374	S *	10/1986	Bussell	.....	D9/448
5,148,948	A *	9/1992	Granville	.....	A47K 5/12 222/153.09
D344,232	S *	2/1994	Granville	.....	D9/448
D351,991	S *	11/1994	Bertolini	.....	D9/558
6,520,470	B1 *	2/2003	Chan	.....	A47K 5/12 215/376
D477,778	S *	7/2003	Dretzka	.....	D6/542
D529,384	S *	10/2006	van der Heijden	.....	D6/542
D537,360	S *	2/2007	Snell	.....	D6/542
D563,703	S *	3/2008	Duncan	.....	D6/542
D588,929	S *	3/2009	Boigeol	.....	D9/691
7,866,511	B2 *	1/2011	Harrison	.....	A47K 5/12 222/173
D634,210	S *	3/2011	Kaplan	.....	D9/682
D635,808	S *	4/2011	DeBretton Gordon	.....	D6/542
D661,148	S *	6/2012	Yang	.....	D6/542
D661,149	S *	6/2012	Yang	.....	D6/542
8,302,819	B2 *	11/2012	Dente	.....	A61L 9/12 222/153.01



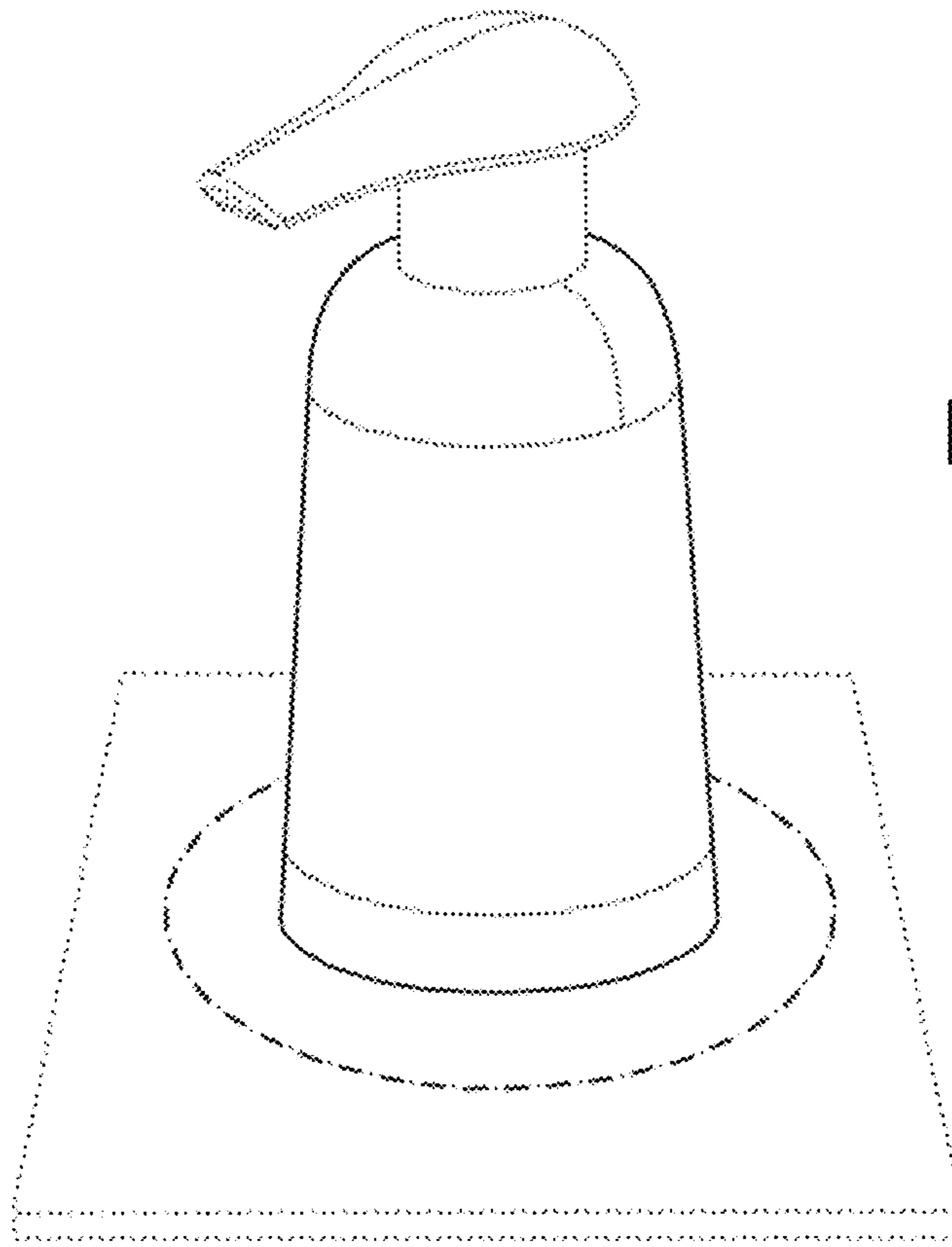


FIG. 1

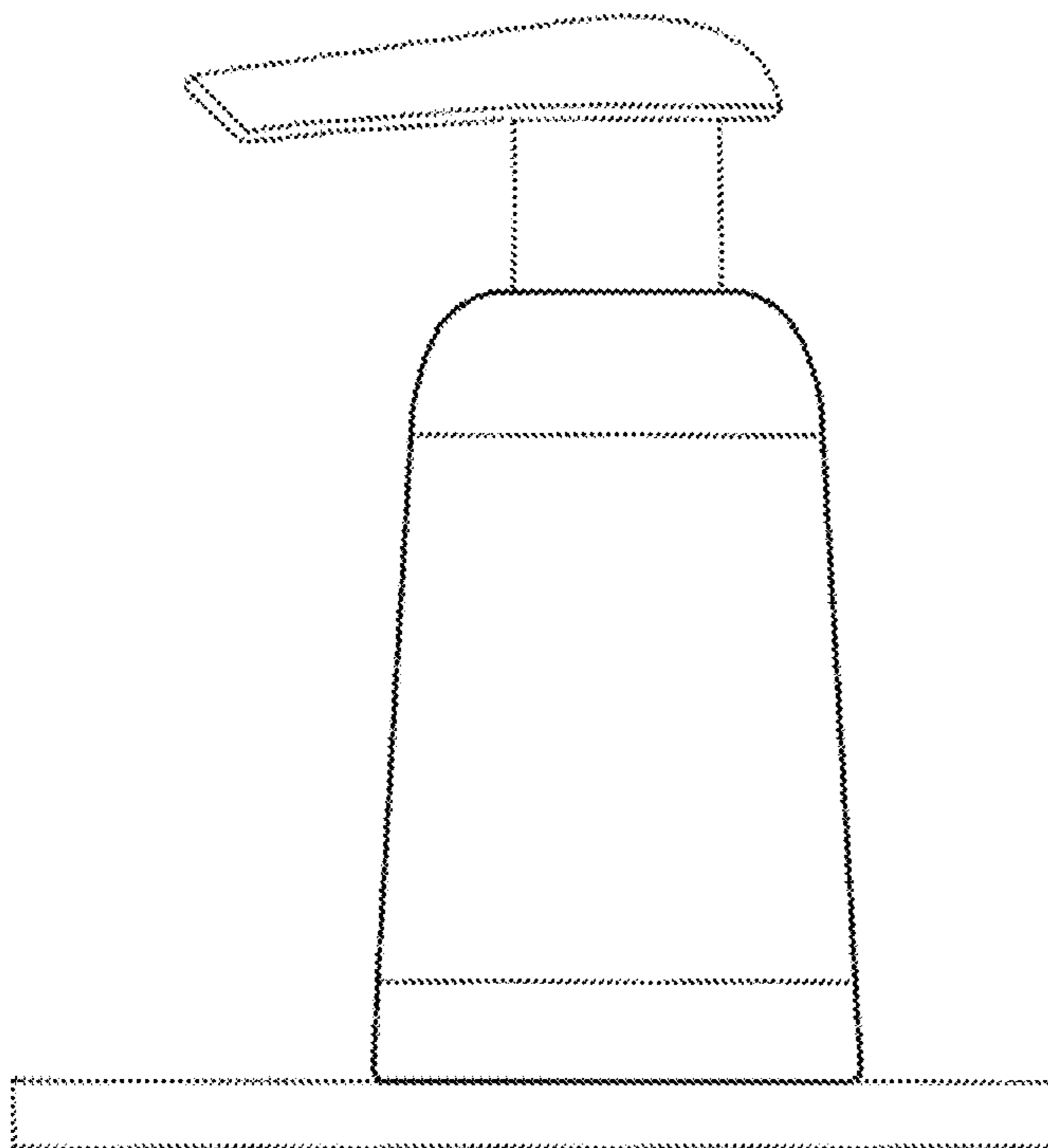


FIG. 2

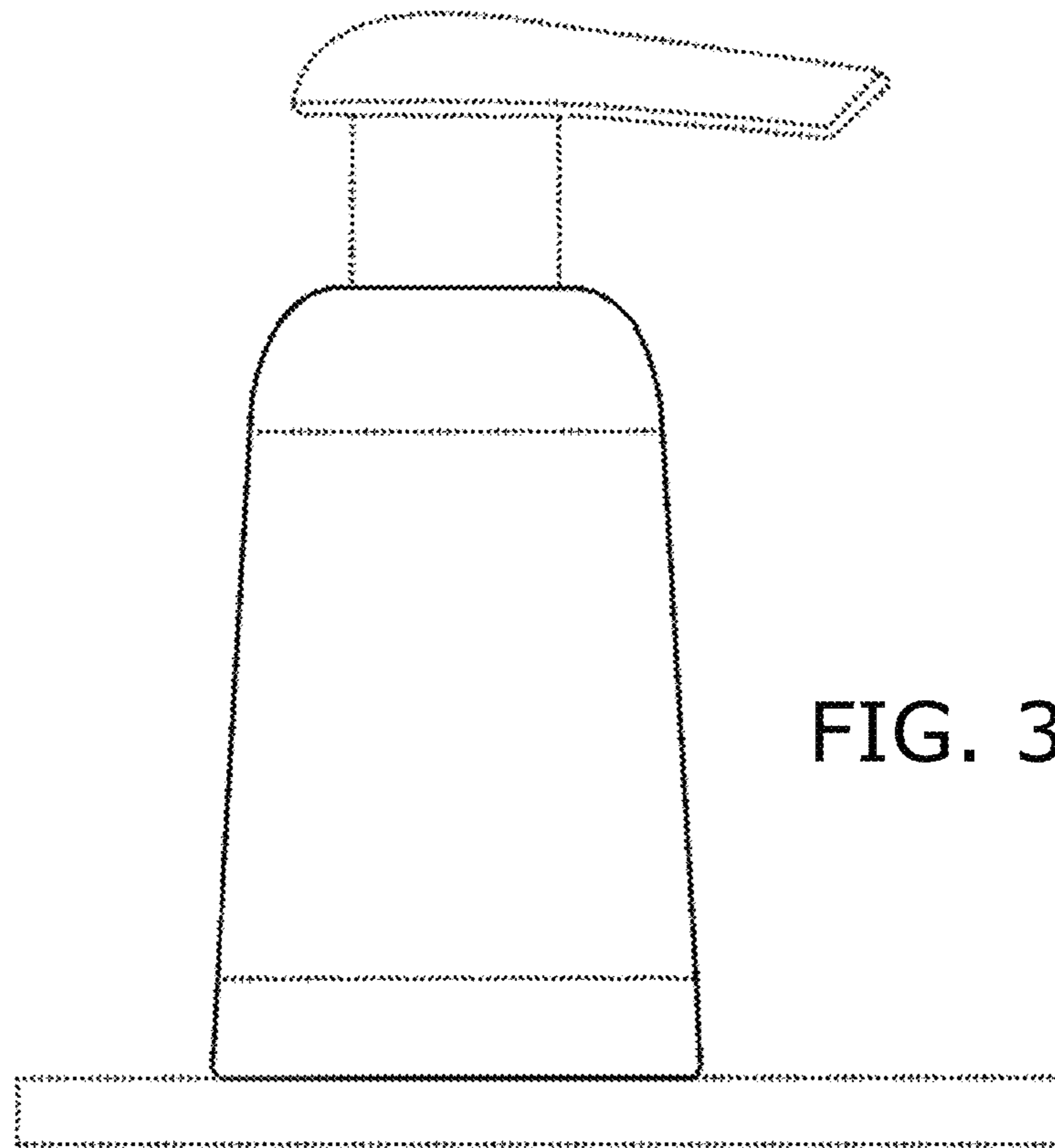


FIG. 3

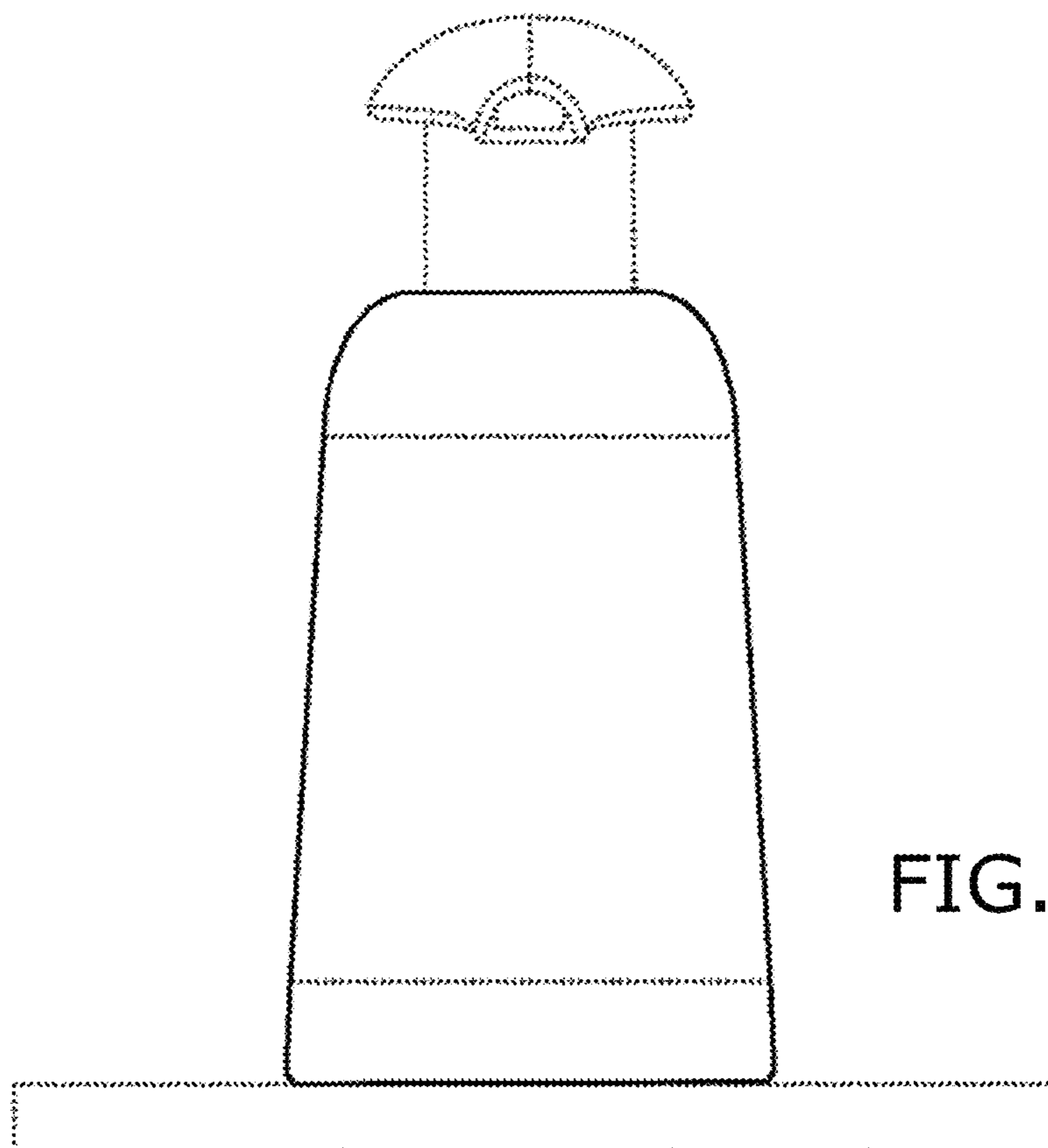


FIG. 4

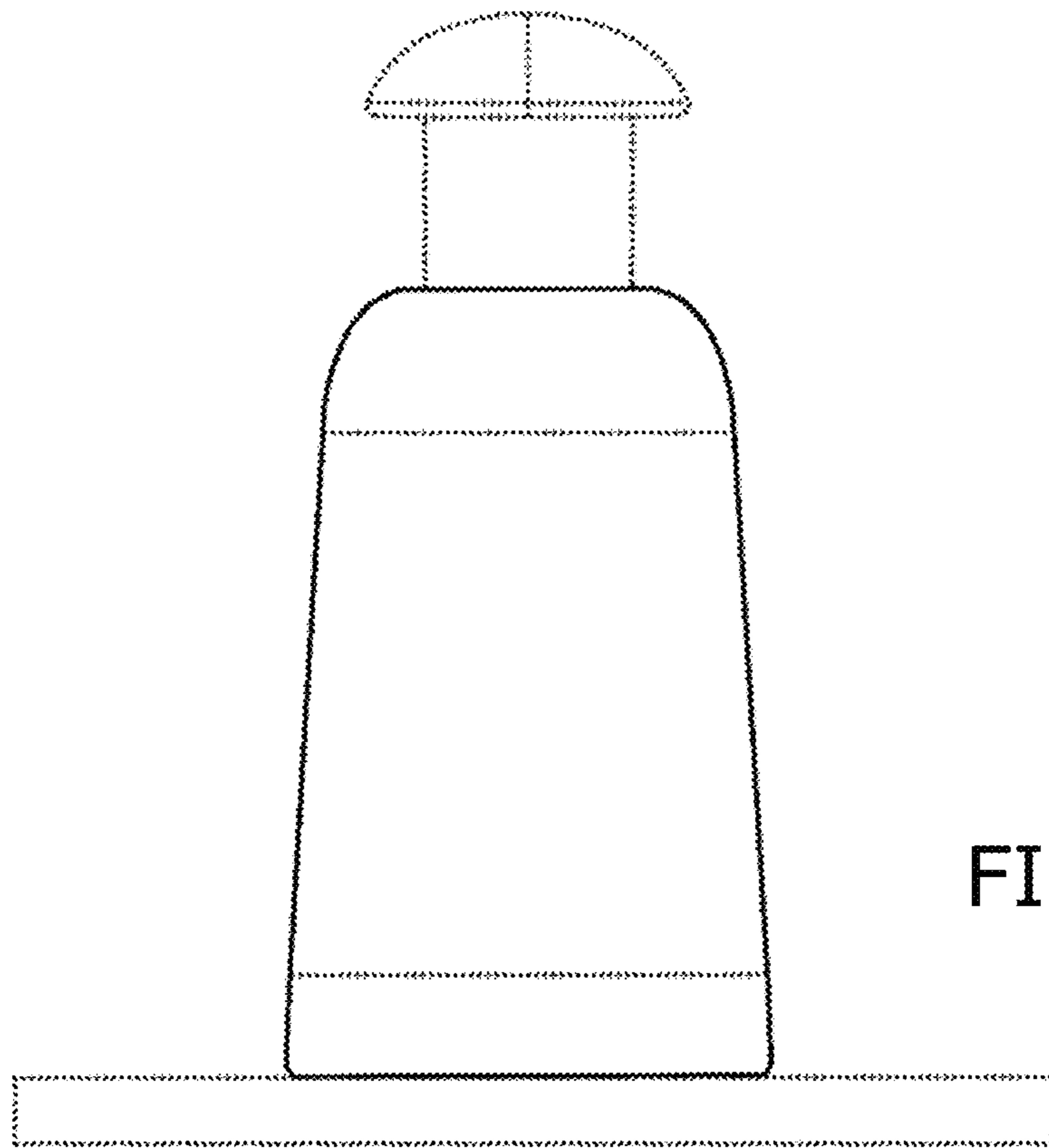


FIG. 5

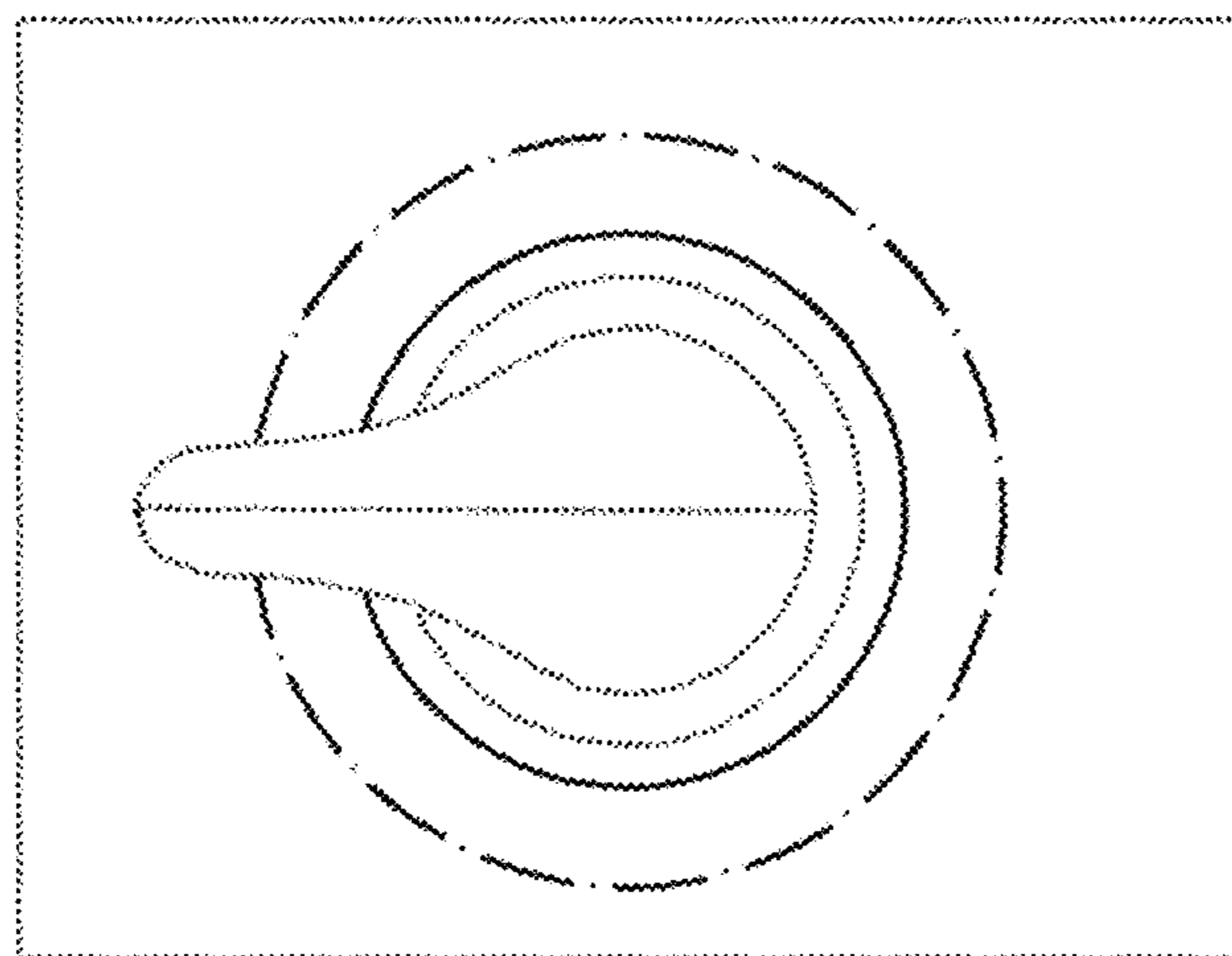


FIG. 6



FIG. 7

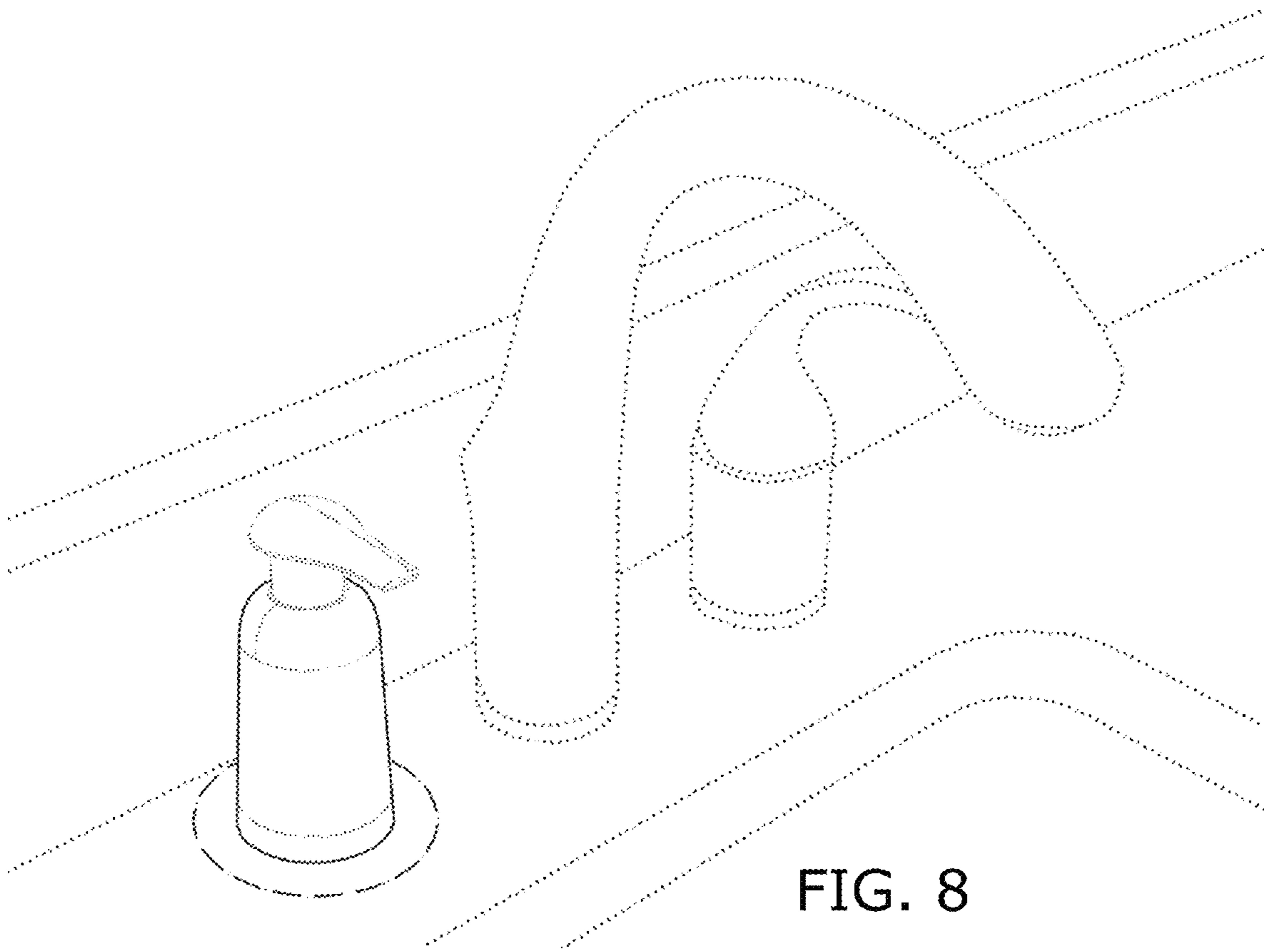


FIG. 8