

US00D761038S

(12) **United States Design Patent**
Goodman et al.

(10) **Patent No.:** **US D761,038 S**
(45) **Date of Patent:** **** Jul. 12, 2016**

(54) **RACK**

- (71) Applicant: **Spectrum Diversified Designs, Inc.**,
Streetsboro, OH (US)
- (72) Inventors: **Sheldon H. Goodman**, Solon, OH (US);
Phaysouk Xayoiphonh, Akron, OH
(US)
- (73) Assignee: **Spectrum Diversified Designs, LLC**,
Streetsboro, OH (US)
- (**) Term: **14 Years**
- (21) Appl. No.: **29/519,058**
- (22) Filed: **Mar. 2, 2015**
- (51) **LOC (10) Cl.** **08-05**
- (52) **U.S. Cl.**
USPC **D6/514**
- (58) **Field of Classification Search**
USPC D6/514, 512-513, 553, 566, 567, 569,
D6/315, 320, 327; D8/349, 354, 367, 372;
248/301-304; 211/13.1, 30, 32, 70.6,
211/56.01, 87.01, 181.1
CPC A47K 17/00; A47K 3/281; B23P 17/04;
A47B 57/265; A47B 57/565; A47B 57/26
See application file for complete search history.

(56) **References Cited**

U.S. PATENT DOCUMENTS

D400,037 S *	10/1998	Bartholow	D6/566
D497,688 S *	10/2004	Issa	D28/18
D499,286 S *	12/2004	Harwanko	D6/514
D700,453 S	3/2014	Goodman et al.		
D708,864 S *	7/2014	Goodman	D6/514
D753,939 S *	4/2016	Tsai	D6/678.4

* cited by examiner

Primary Examiner — Wan Laymon

Assistant Examiner — Mark Booker

(74) *Attorney, Agent, or Firm* — Renner, Otto, Boisselle & Sklar, LLP

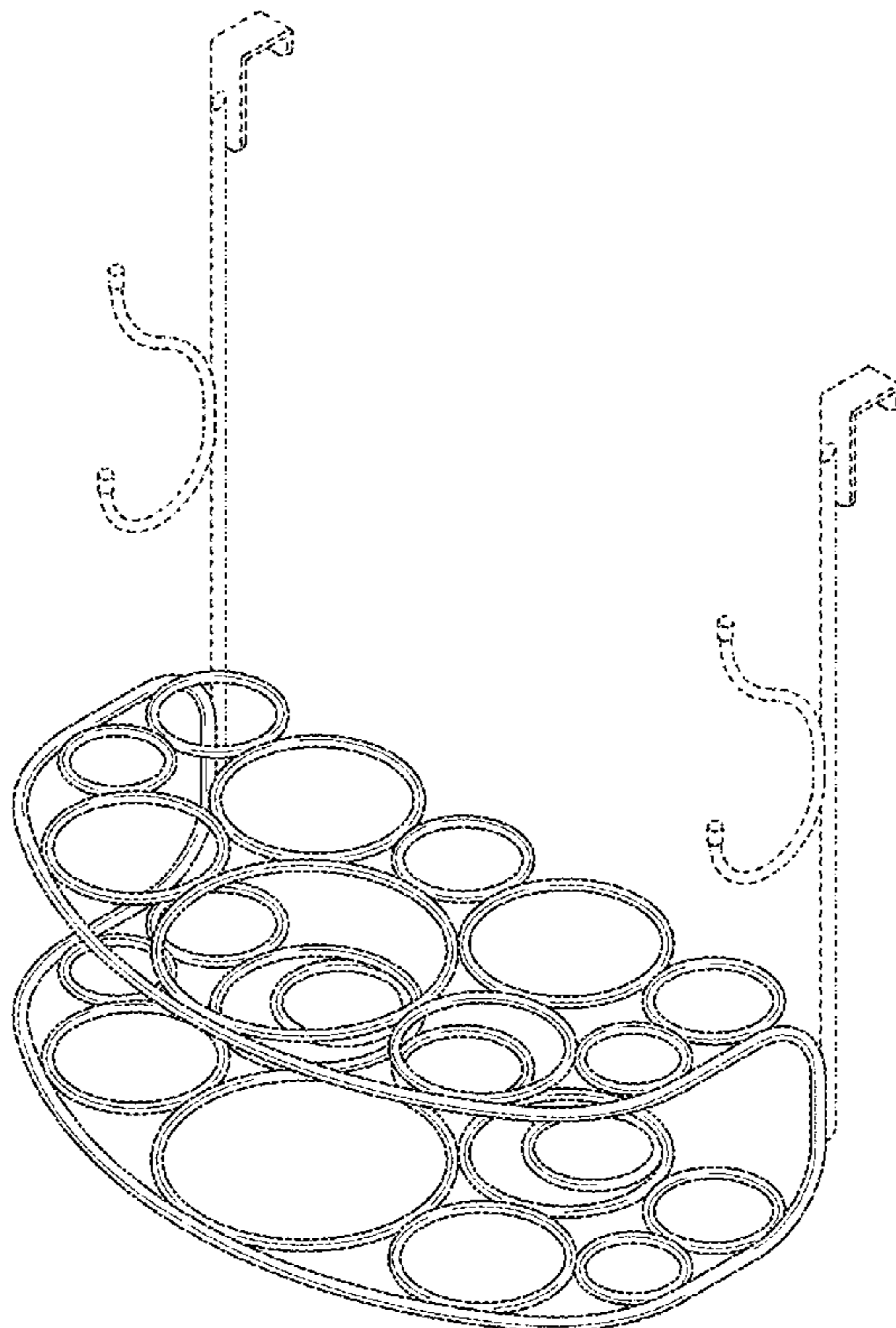
(57) **CLAIM**

The ornamental design for a rack, as shown and described.

DESCRIPTION

FIG. 1 is a perspective view of a rack showing our new design.
 FIG. 2 is a front view thereof.
 FIG. 3 is a rear view thereof.
 FIG. 4 is a right side view thereof, a left side view being a mirror image of the right side view.
 FIG. 5 is a top view thereof; and,
 FIG. 6 is a bottom view thereof.
 The broken lines shown in the figures represent portions of the rack that form no part of the claimed design.

1 Claim, 5 Drawing Sheets



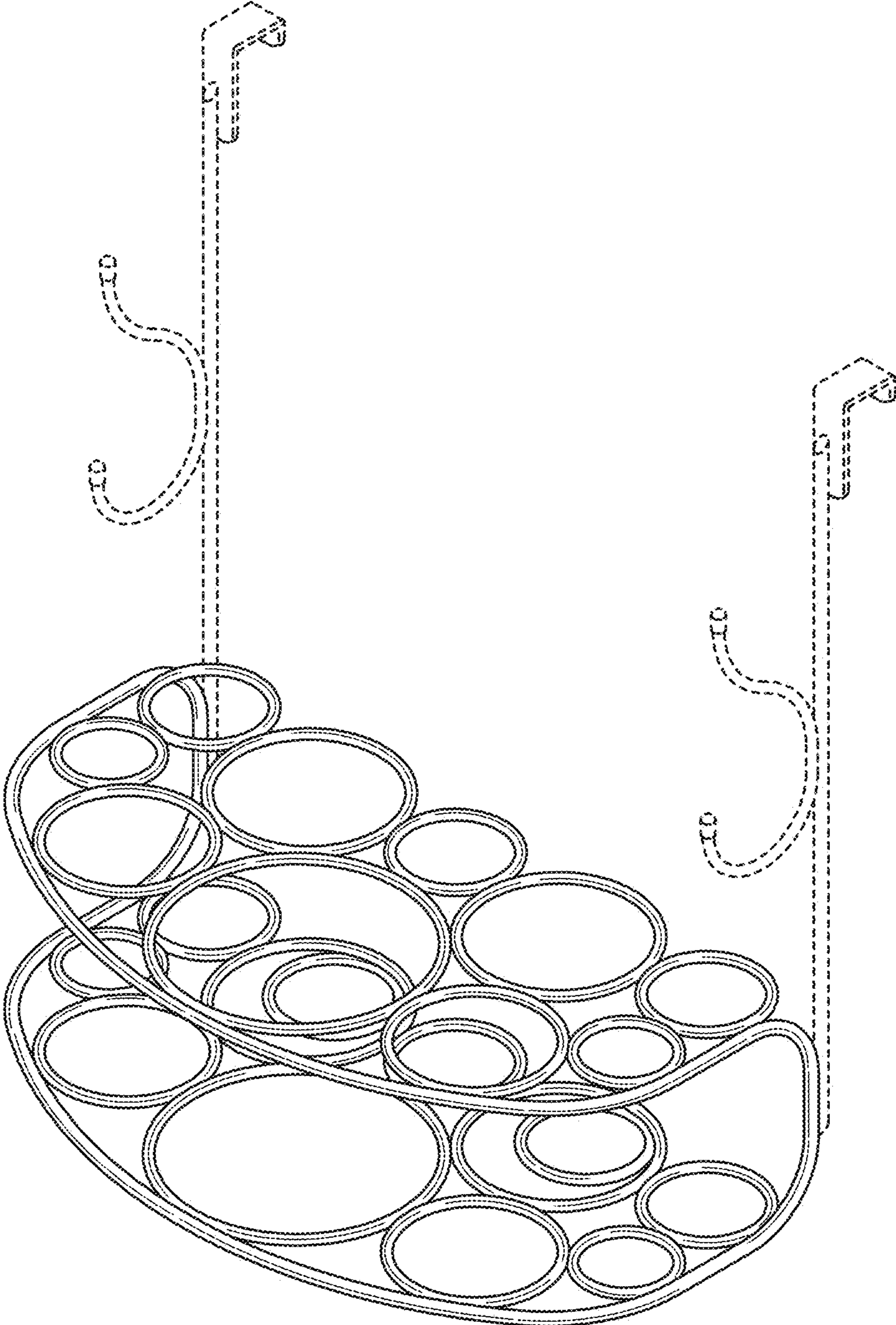


FIG. 1

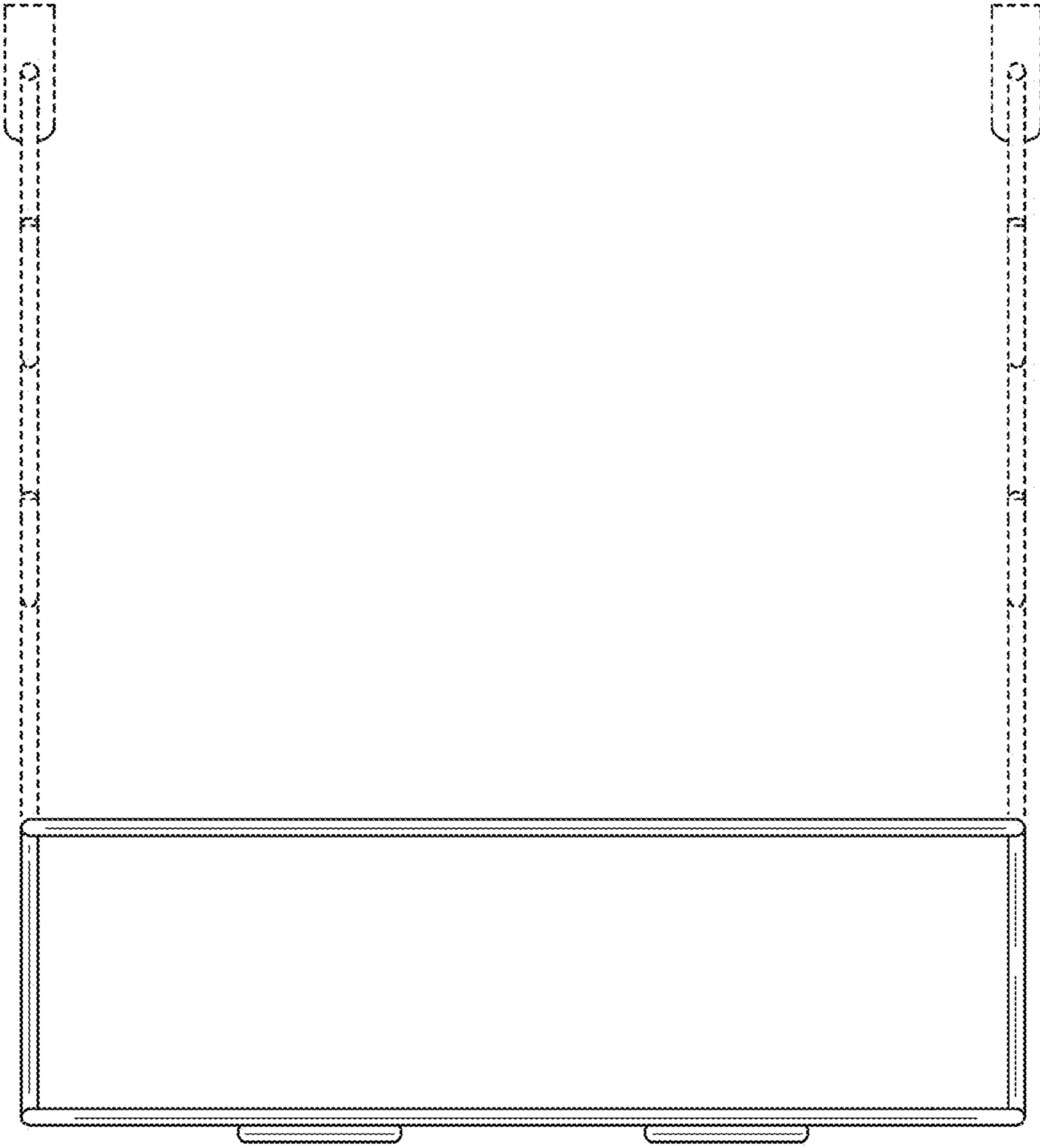


FIG. 2

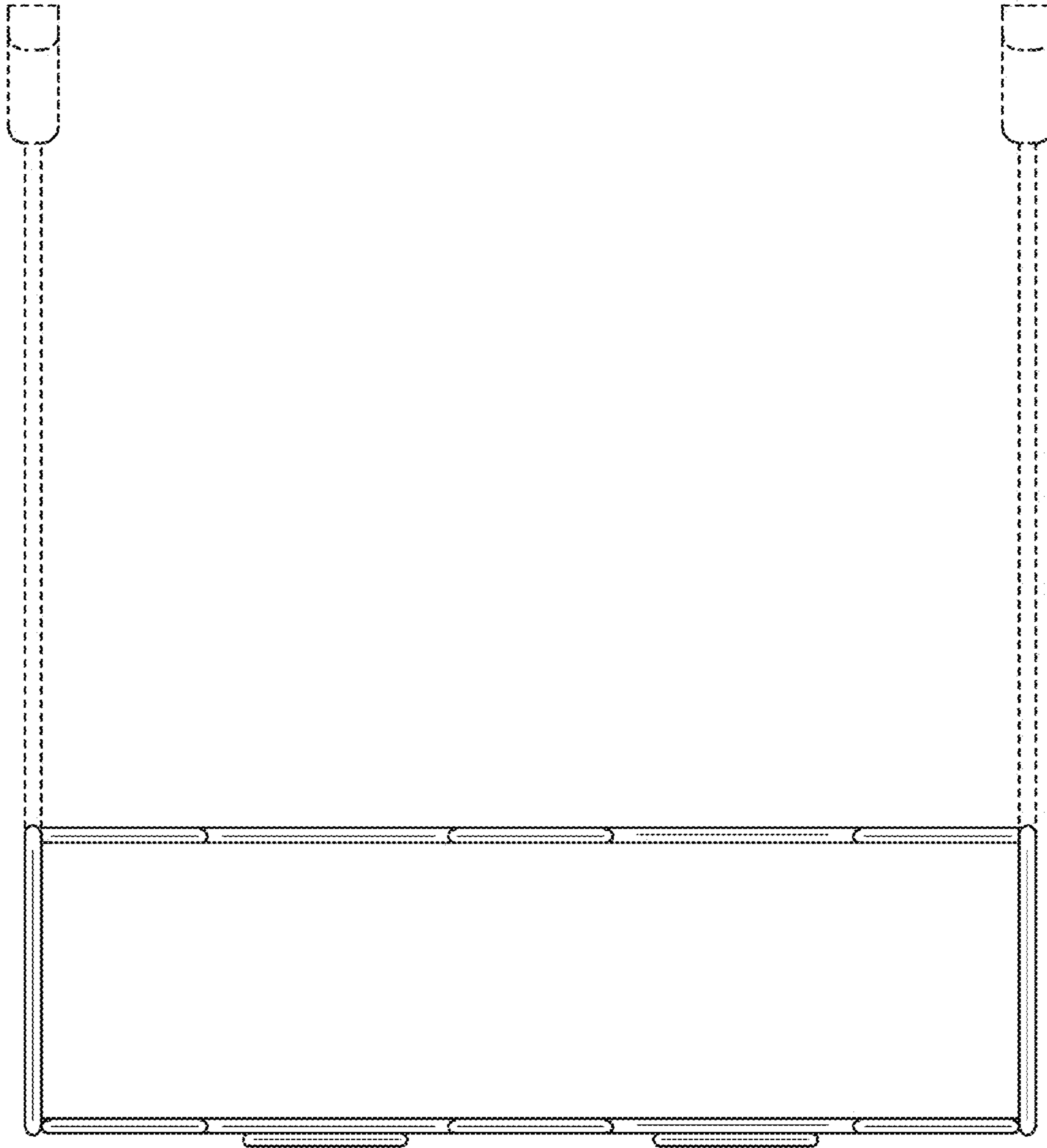


FIG. 3

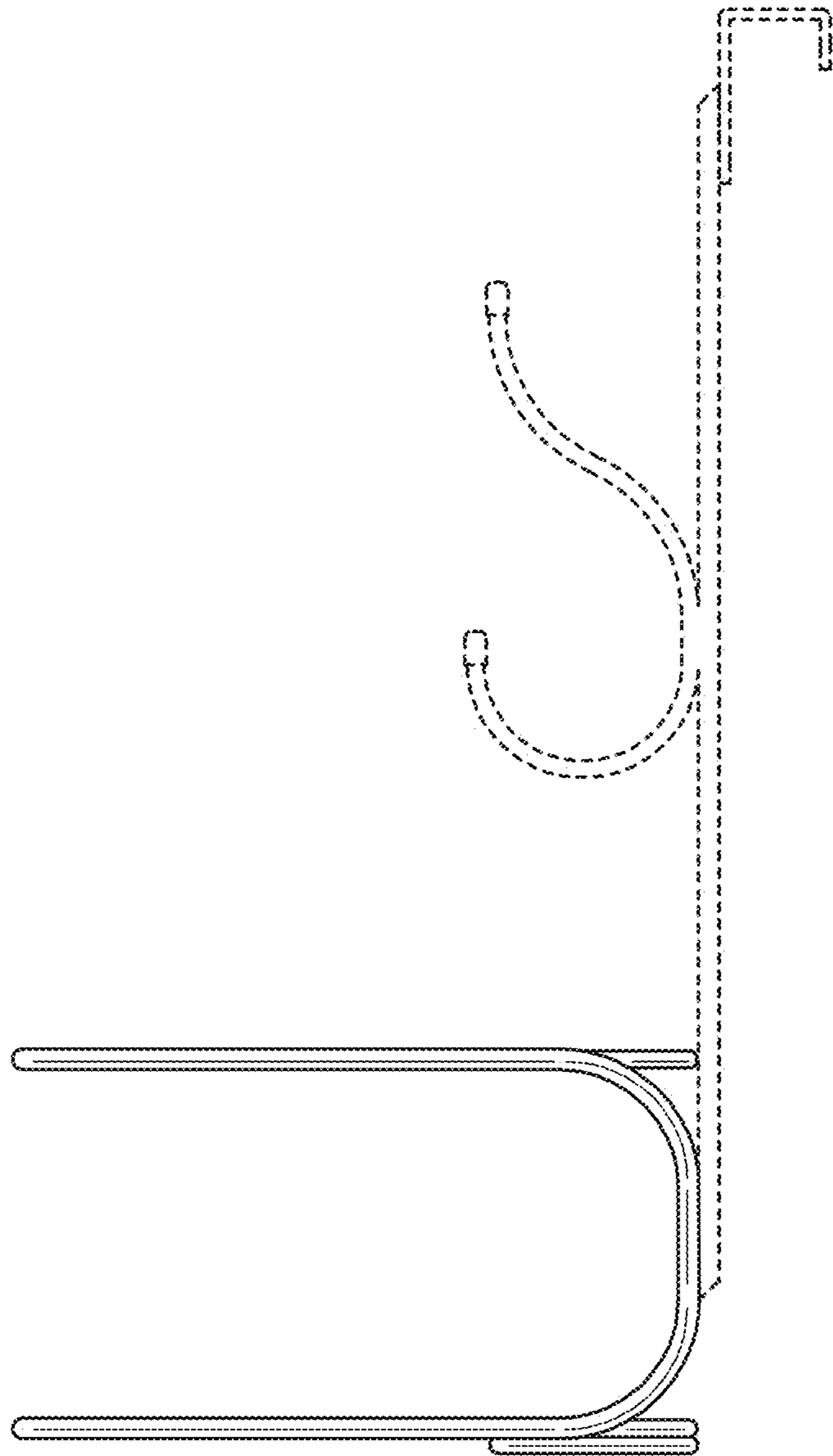


FIG. 4

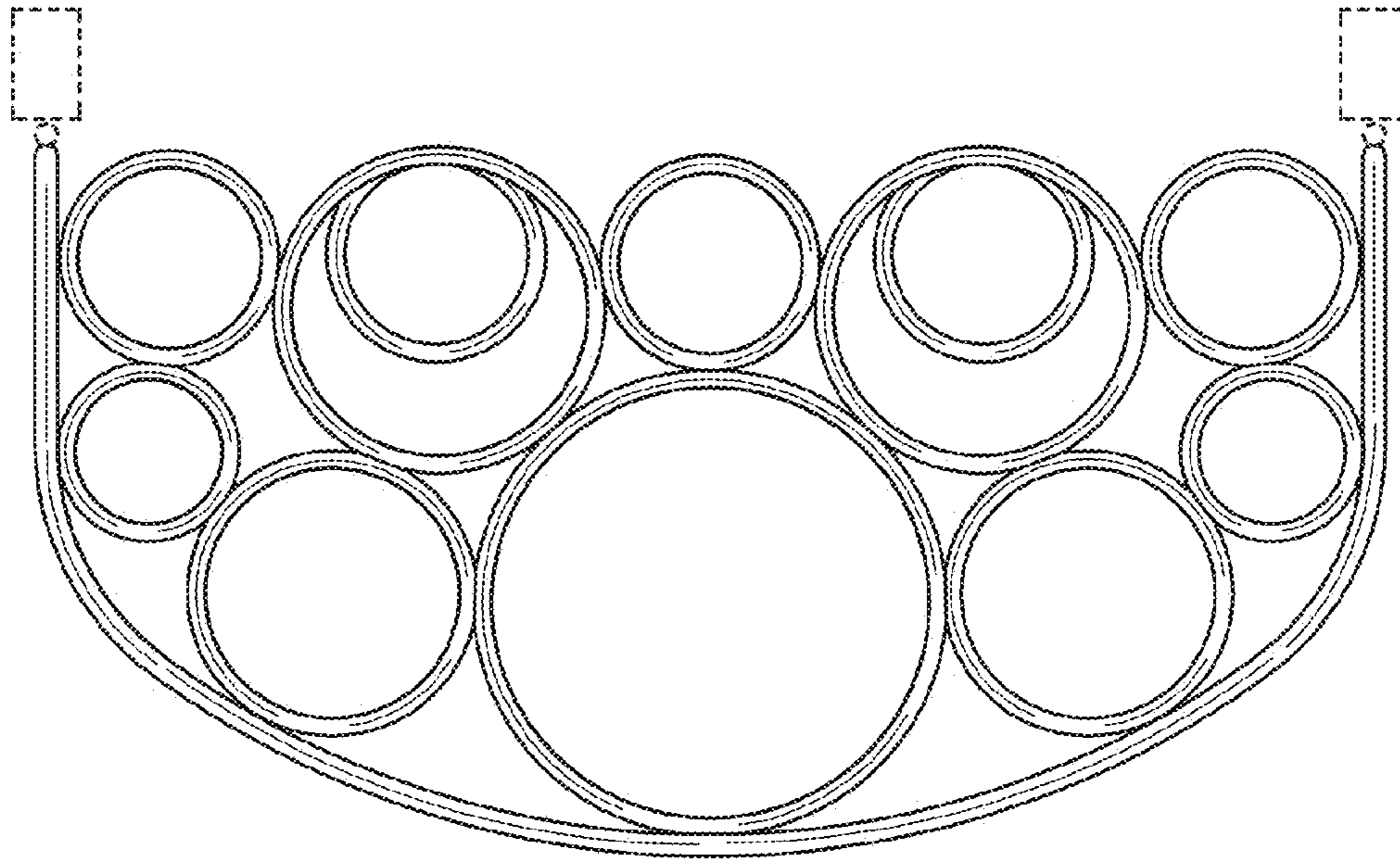


FIG. 5

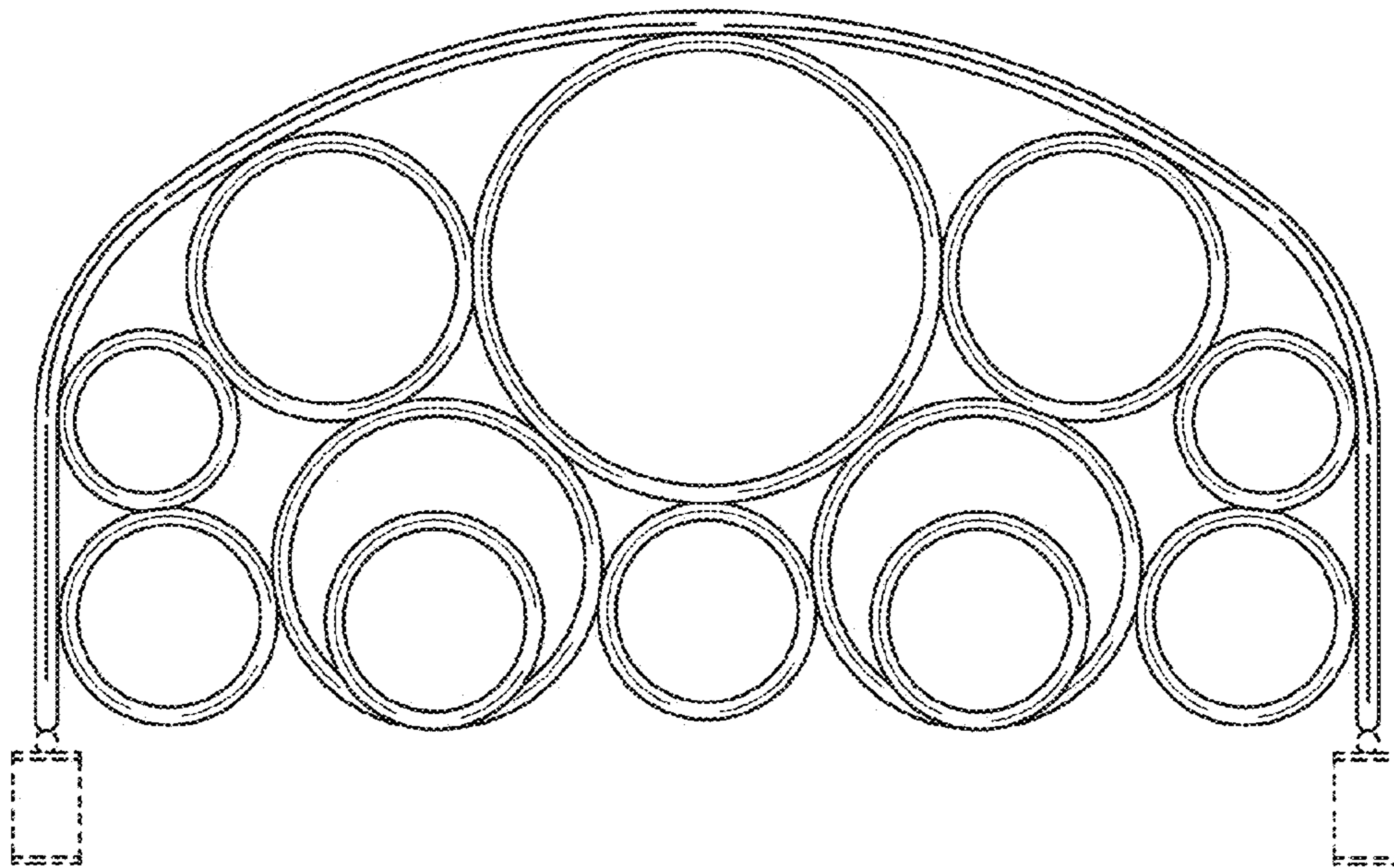


FIG. 6