



US00D761034S

(12) **United States Design Patent**  
**Asner**

(10) **Patent No.:** **US D761,034 S**  
(45) **Date of Patent:** **\*\* Jul. 12, 2016**

(54) **STACKING ARMCHAIR**

(71) Applicant: **COUNTRY CASUAL, INC.**,  
Gaithersburg, MD (US)

(72) Inventor: **Kimberly E. Asner**, Baltimore, MD  
(US)

(73) Assignee: **Country Casual Teak, Inc.**,  
Gaithersburg, MD (US)

(\*\*) Term: **14 Years**

(21) Appl. No.: **29/514,388**

(22) Filed: **Jan. 12, 2015**

(51) **LOC (10) Cl.** ..... **06-01**

(52) **U.S. Cl.**  
USPC ..... **D6/379; D6/380**

(58) **Field of Classification Search**  
USPC ..... D6/334-336, 369, 370, 371-373, 374,  
D6/376, 379, 380, 716, 716.1, 716.3, 716.4  
CPC ..... A47C 4/02; A47C 4/03; A47C 4/08;  
A47C 4/025; A47C 7/16; A47C 7/54; A47C  
7/282

See application file for complete search history.

(56) **References Cited**

U.S. PATENT DOCUMENTS

D309,991 S *	8/1990	Miller .....	D6/379
D446,956 S *	8/2001	Black .....	D6/369
D571,119 S *	6/2008	Leonetti .....	D6/379
D579,052 S *	10/2008	Ciani .....	D6/379
D648,556 S *	11/2011	Frinier .....	D6/369
D651,015 S *	12/2011	Jordan .....	D6/379
D660,044 S *	5/2012	Starck .....	D6/370
D693,591 S *	11/2013	Pedersen .....	D6/379

\* cited by examiner

*Primary Examiner* — Mimosa De

(74) *Attorney, Agent, or Firm* — Rosenberg, Klein & Lee

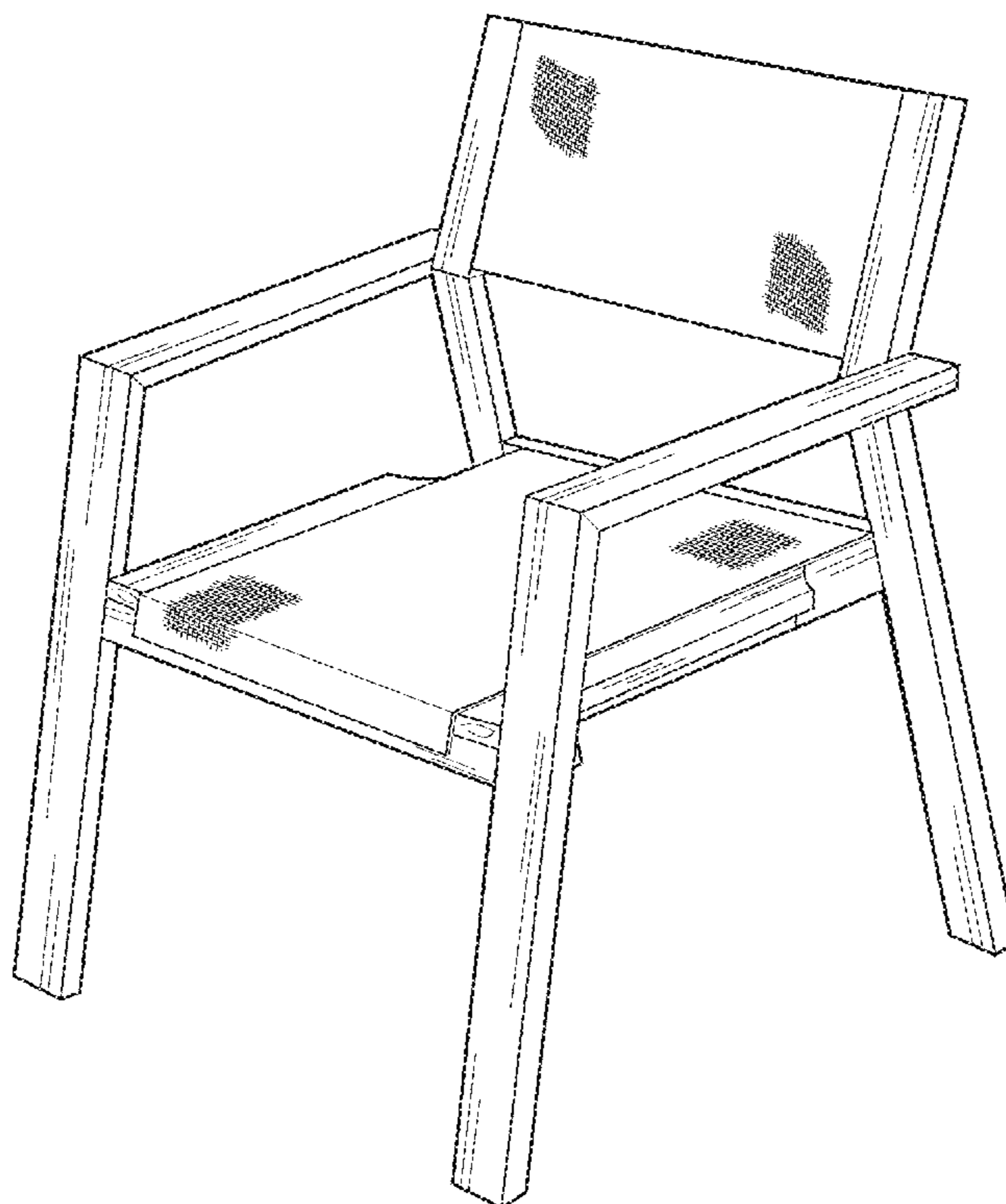
(57) **CLAIM**

What is claimed is the ornamental design of a stacking armchair, as shown and described.

**DESCRIPTION**

FIG. 1 is a frontal perspective view of the stacking armchair showing my new design;  
FIG. 2 is a right elevational view thereof;  
FIG. 3 is a front elevational view thereof;  
FIG. 4 is a bottom plan view thereof;  
FIG. 5 is a top plan view thereof; and,  
FIG. 6 is a rear elevational view thereof.  
The broken lines in the drawings illustrate the portions of the design that form no part of the claim.

**1 Claim, 6 Drawing Sheets**



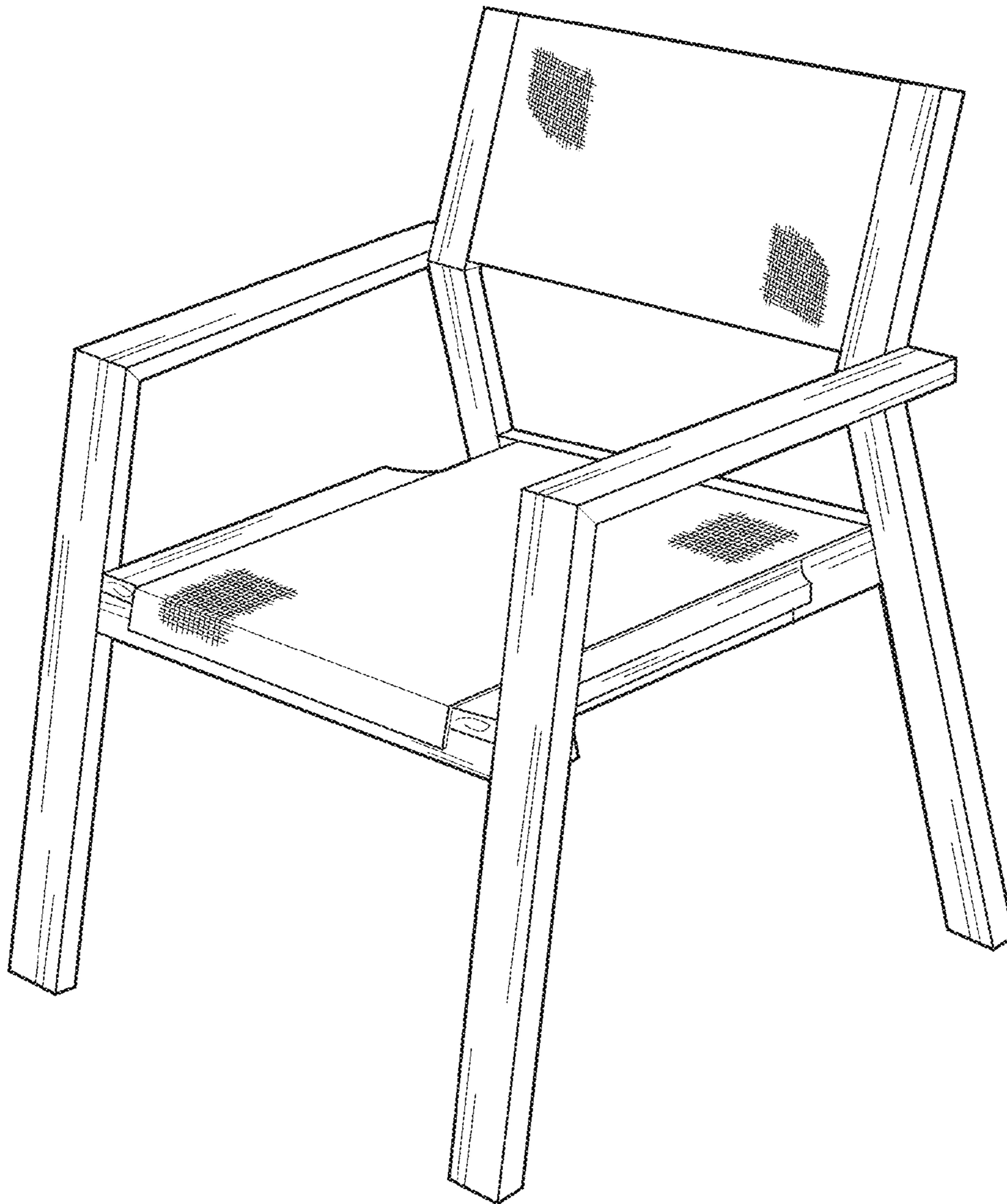


Fig. 1

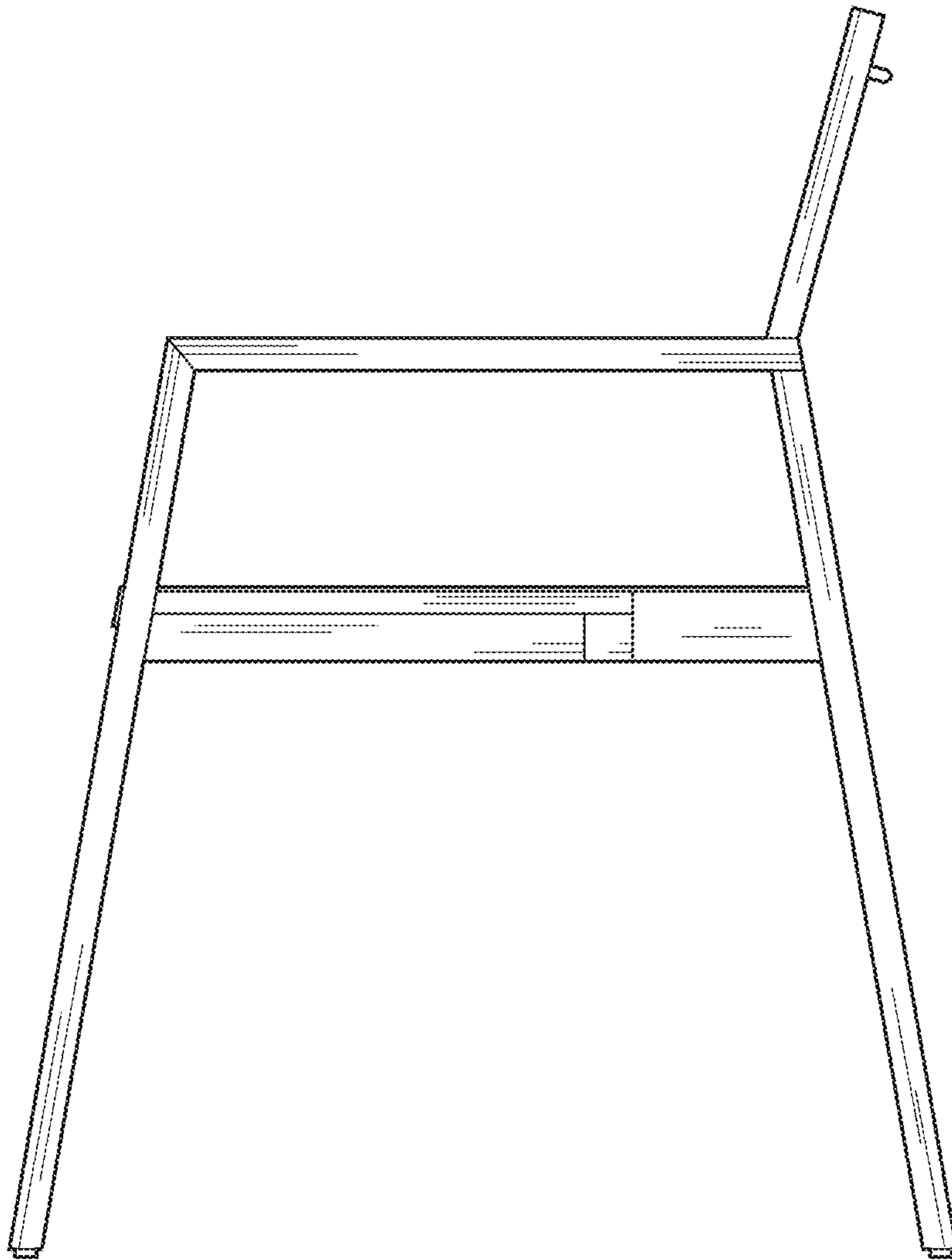


Fig. 2

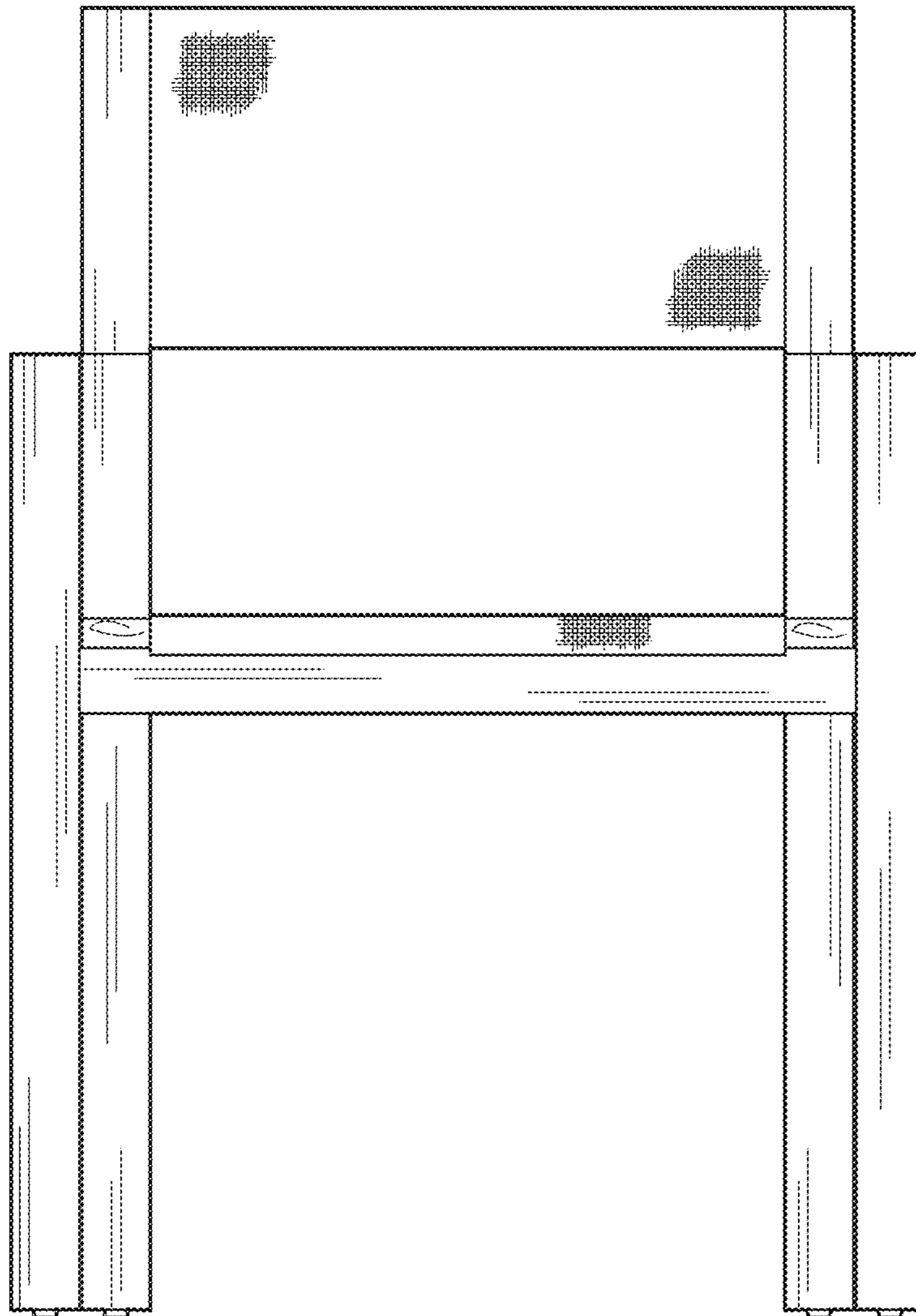


Fig. 3

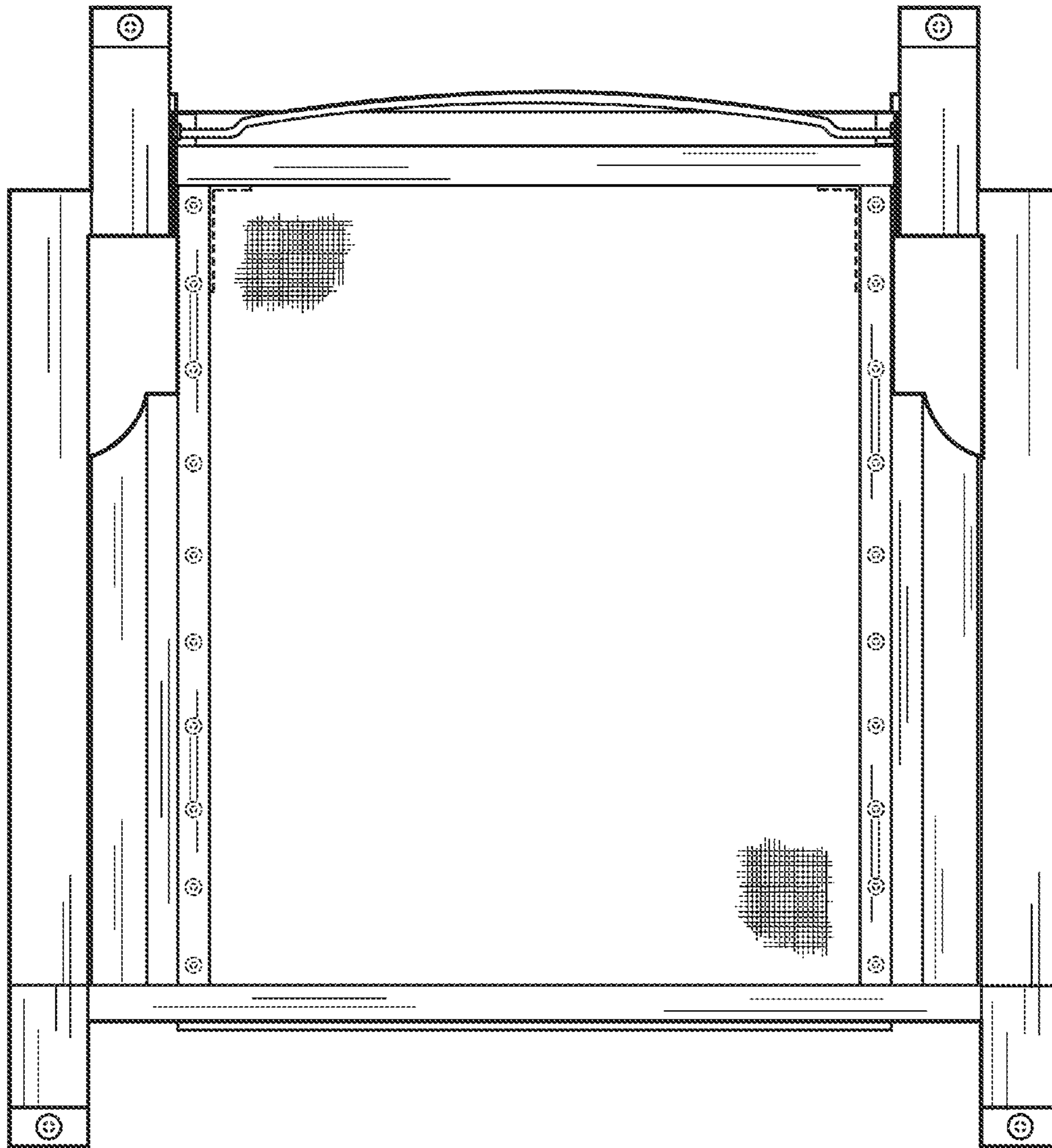


Fig. 4

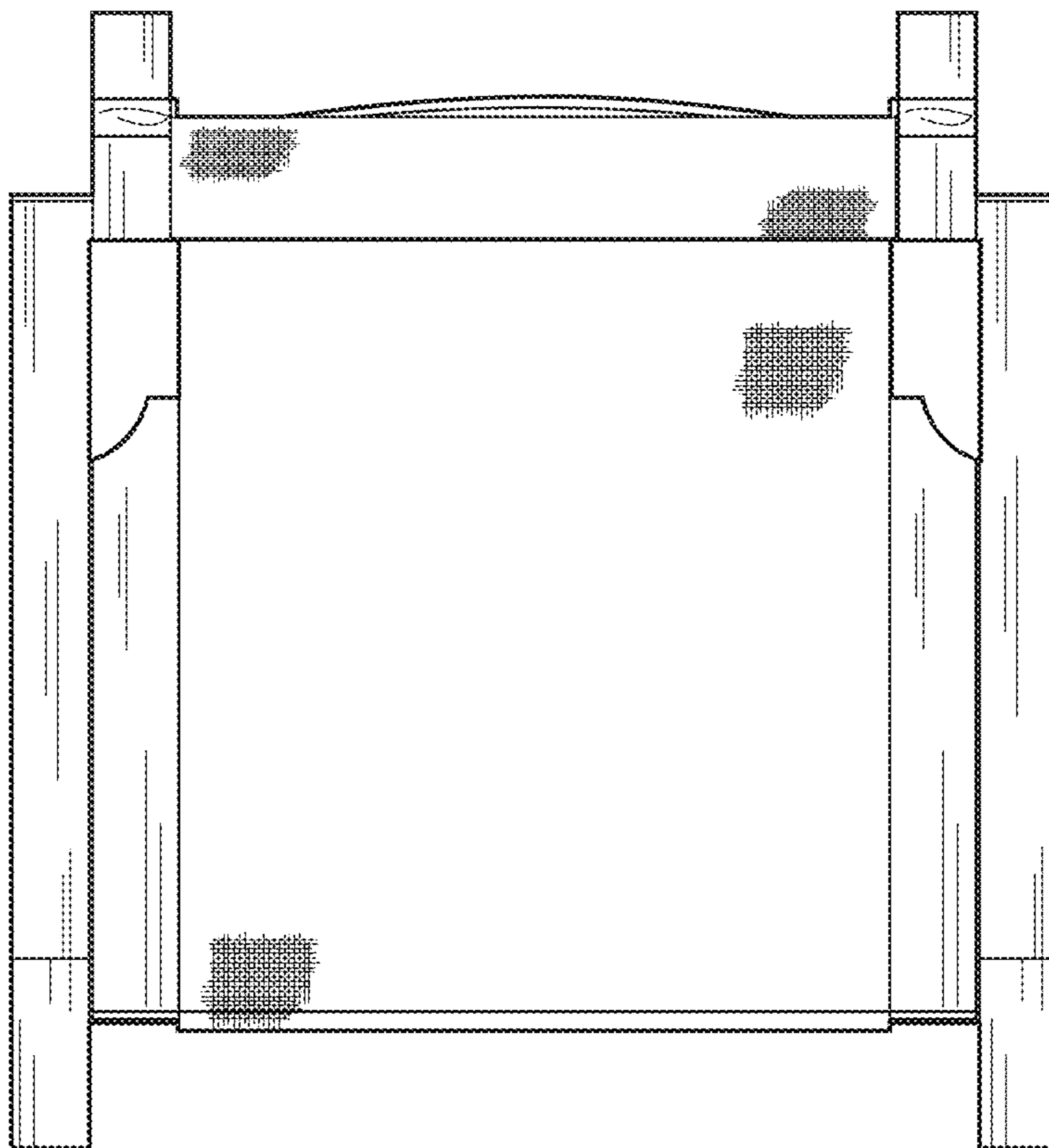


Fig. 5

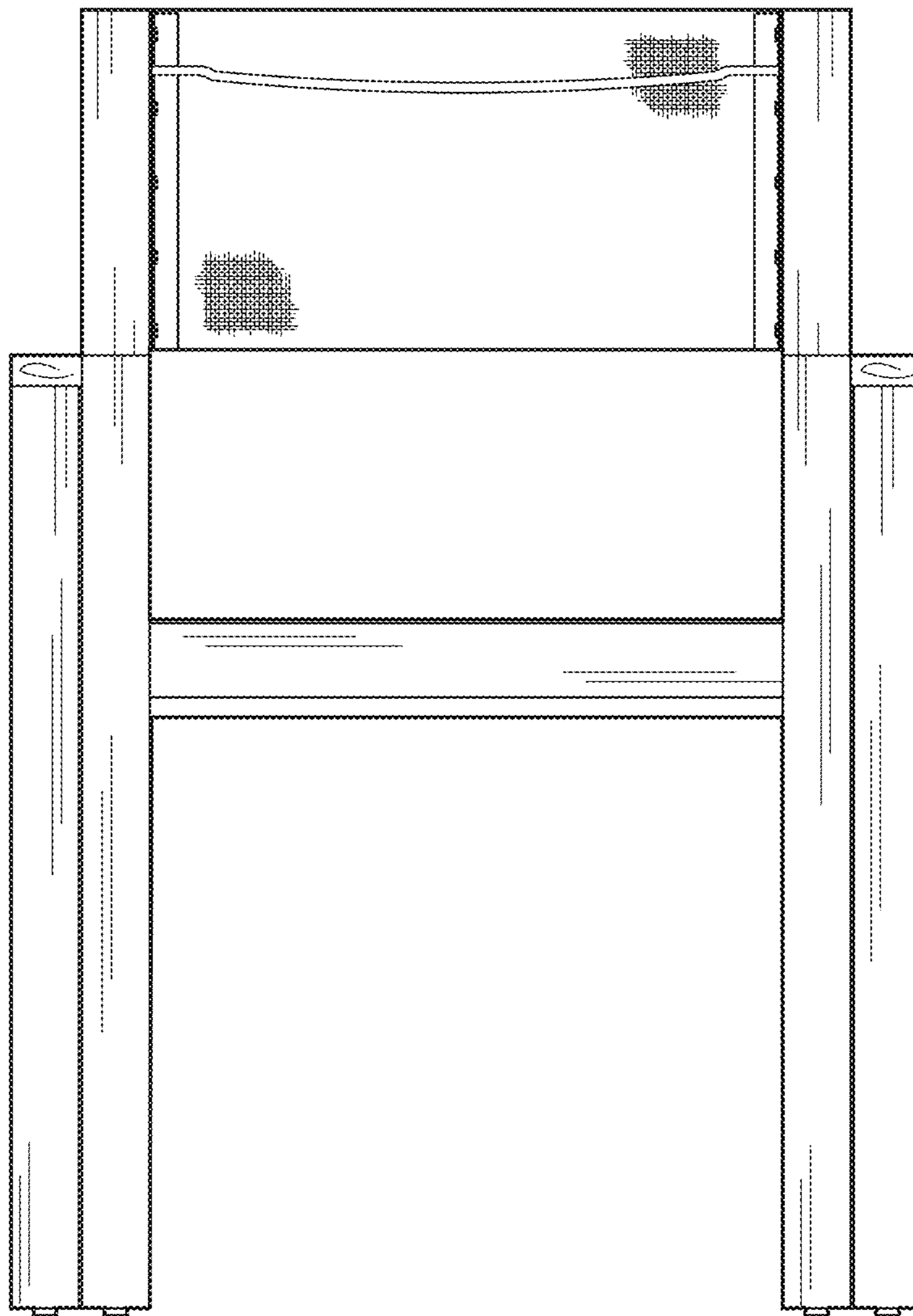


Fig. 6