



US00D761030S

(12) **United States Design Patent**
Proserpio

(10) **Patent No.:** **US D761,030 S**
(45) **Date of Patent:** **** Jul. 12, 2016**

(54) **ROCKING CHAIR**

(71) Applicant: **IPAE-PROGARDEN S.p.A.**, Merone
(Como) (IT)

(72) Inventor: **Carlo Proserpio**, Merone (IT)

(73) Assignee: **IPAE-PROGARDEN S.P.A.**, Merone
(Como) (IT)

(**) Term: **14 Years**

(21) Appl. No.: **29/525,517**

(22) Filed: **Apr. 30, 2015**

(30) **Foreign Application Priority Data**

Mar. 10, 2015 (EM) 1002649848-0001

(51) **LOC (10) Cl.** **06-01**

(52) **U.S. Cl.**
USPC **D6/348**

(58) **Field of Classification Search**
USPC D6/334–336, 344, 348, 370, 374, 375,
D6/379, 380, 716, 716.1, 716.3, 716.4;
D21/412
CPC A47C 3/02; A47C 3/04; A47C 3/029;
A47C 5/12; A47C 7/16; A47D 13/10; A47D
13/102; A47D 13/107

See application file for complete search history.

(56) **References Cited**

U.S. PATENT DOCUMENTS

D270,499 S * 9/1983 Harper, Jr. D6/348
D334,299 S * 3/1993 Embree D6/370
D350,650 S * 9/1994 Chaney D6/348
D384,511 S * 10/1997 Gresens D6/370
6,416,123 B1 * 7/2002 Bell A47C 3/029
297/133
D607,223 S * 1/2010 Adams D6/370
8,333,430 B2 * 12/2012 Adams A47C 3/04
297/181
D677,069 S * 3/2013 Adams, IV D6/370
D717,058 S * 11/2014 Prokofiev D6/370
D739,152 S * 9/2015 Adams D6/348

* cited by examiner

Primary Examiner — Mimoso De

(74) *Attorney, Agent, or Firm* — King & Schickli, PLLC

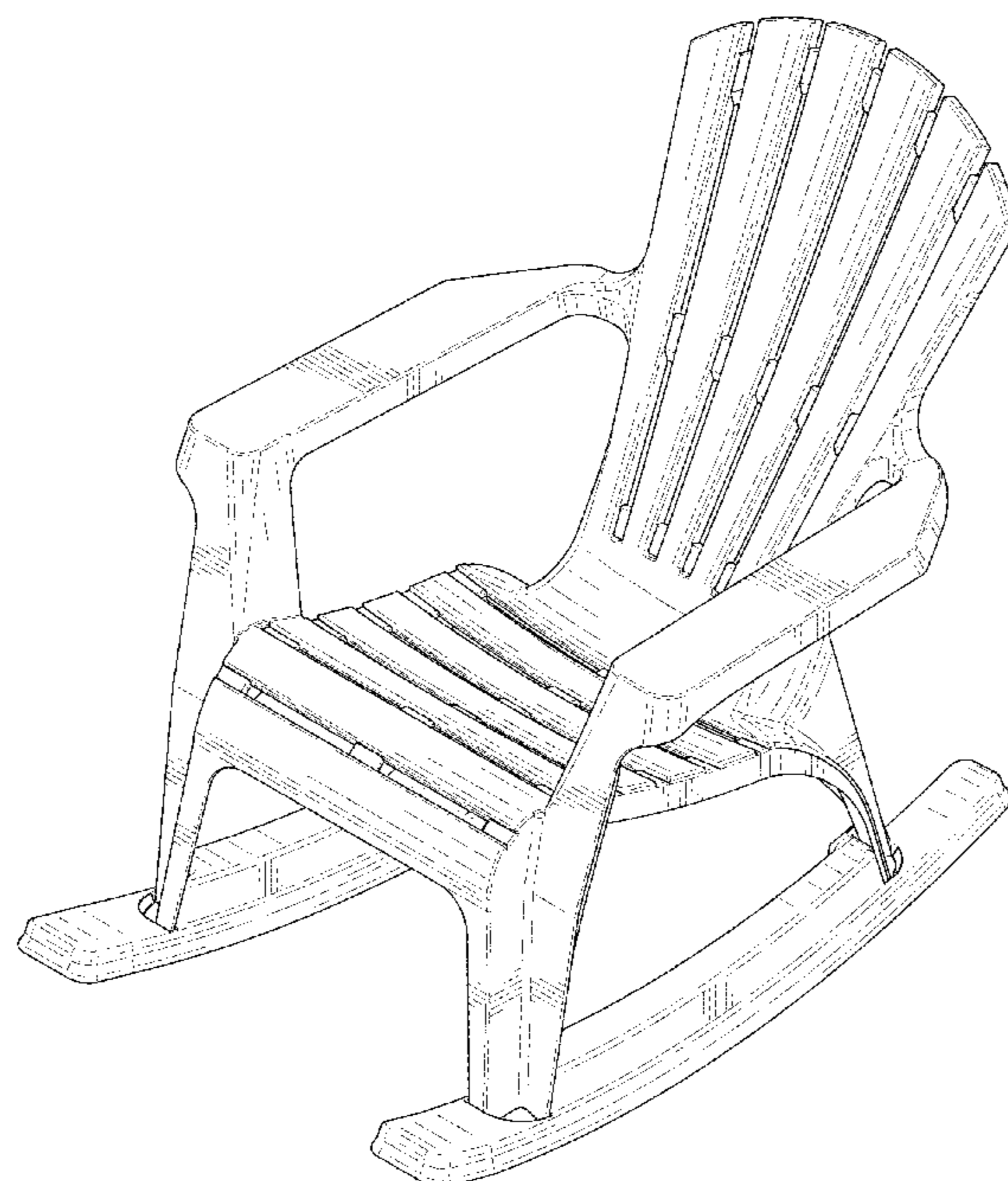
(57) **CLAIM**

The ornamental design for a rocking chair, as shown and described.

DESCRIPTION

FIG. 1 is a perspective view;
FIG. 2 is a bottom perspective view;
FIG. 3 is a front view;
FIG. 4 is a left side view;
FIG. 5 is a rear view;
FIG. 6 is a right side view;
FIG. 7 is a top view; and,
FIG. 8 is a bottom view.
The broken lines shown in the drawing are for the purpose of illustrating environmental structure and form no part of the claimed design.

1 Claim, 8 Drawing Sheets



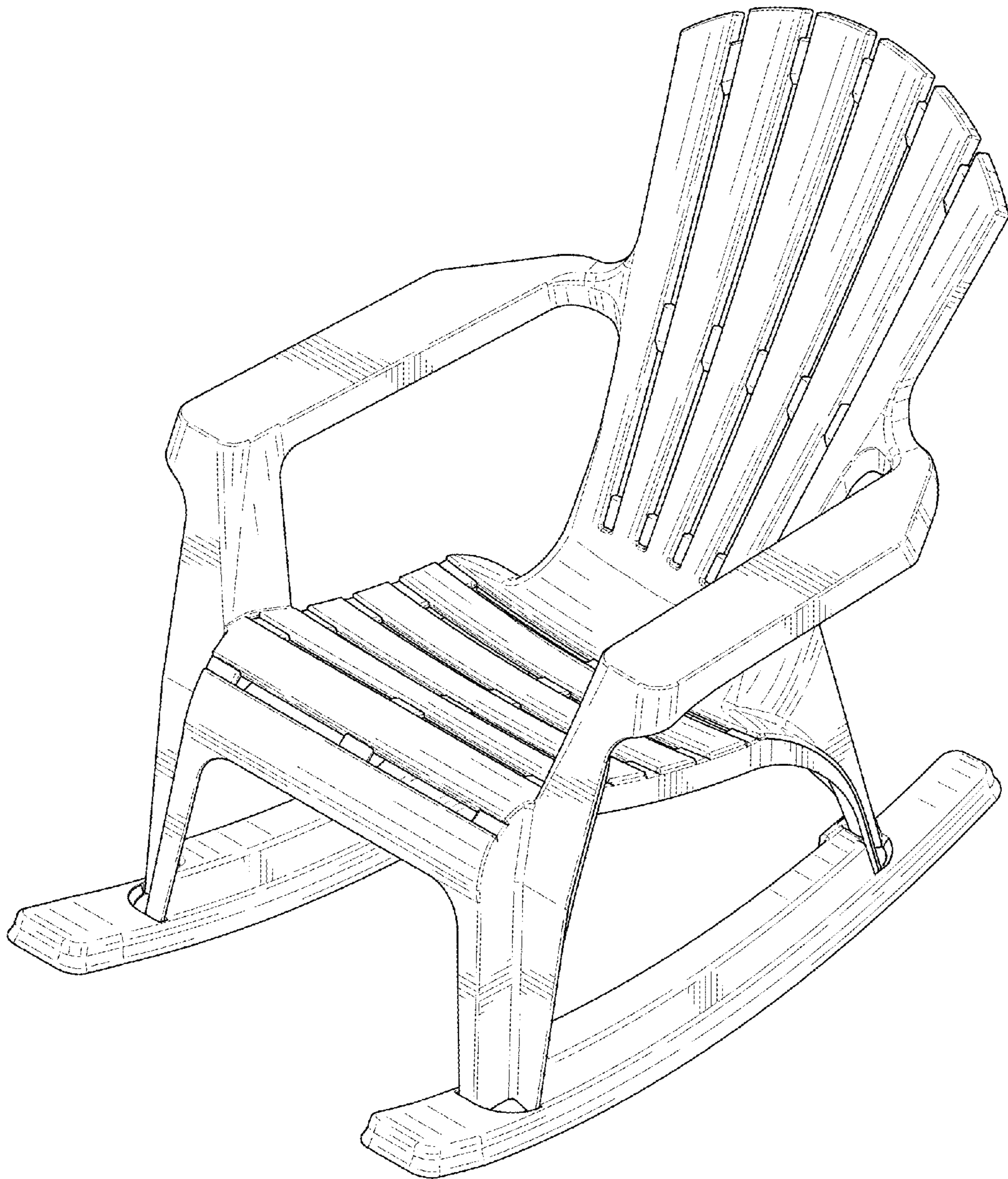


FIG. 1

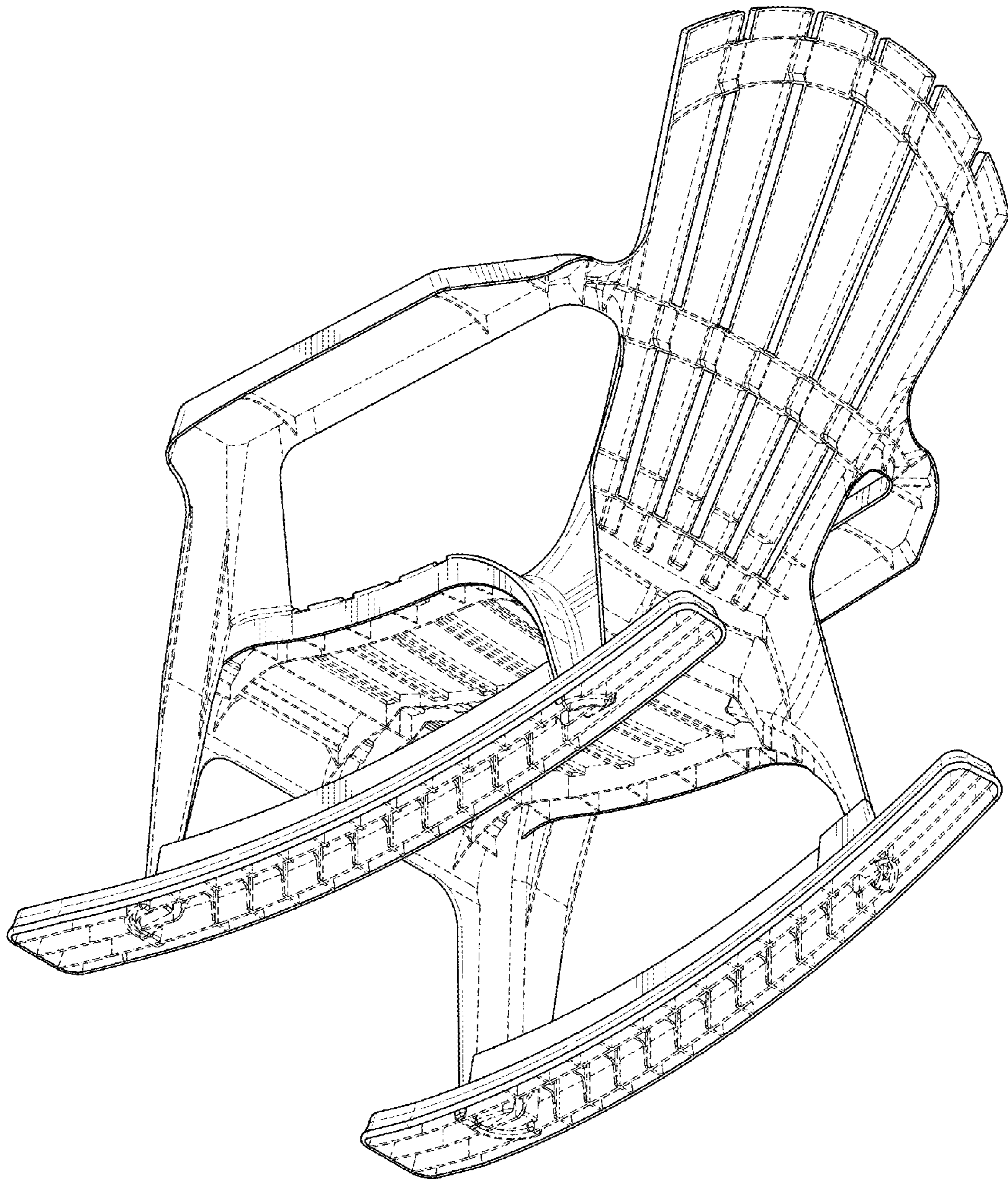


FIG. 2

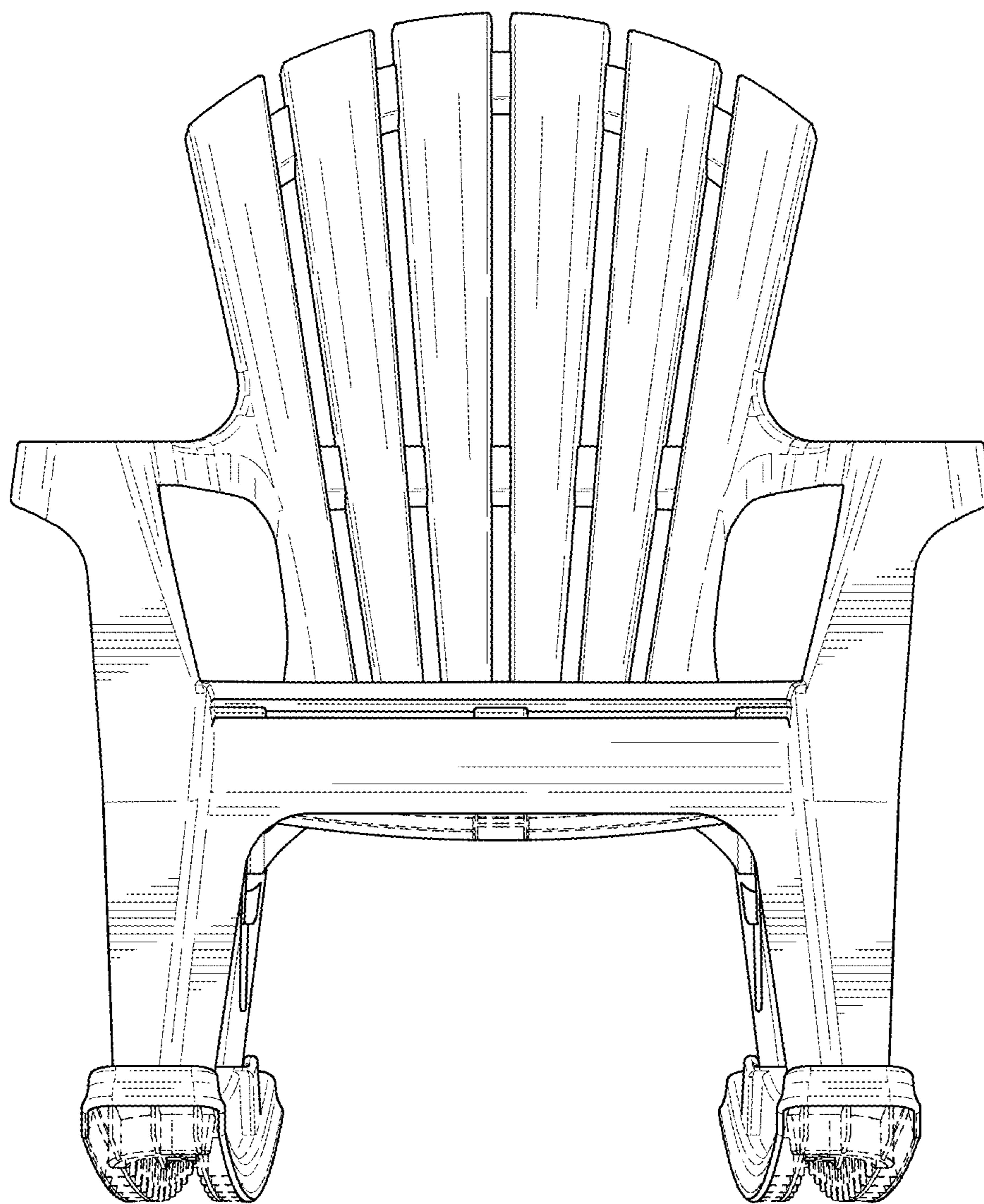


FIG. 3

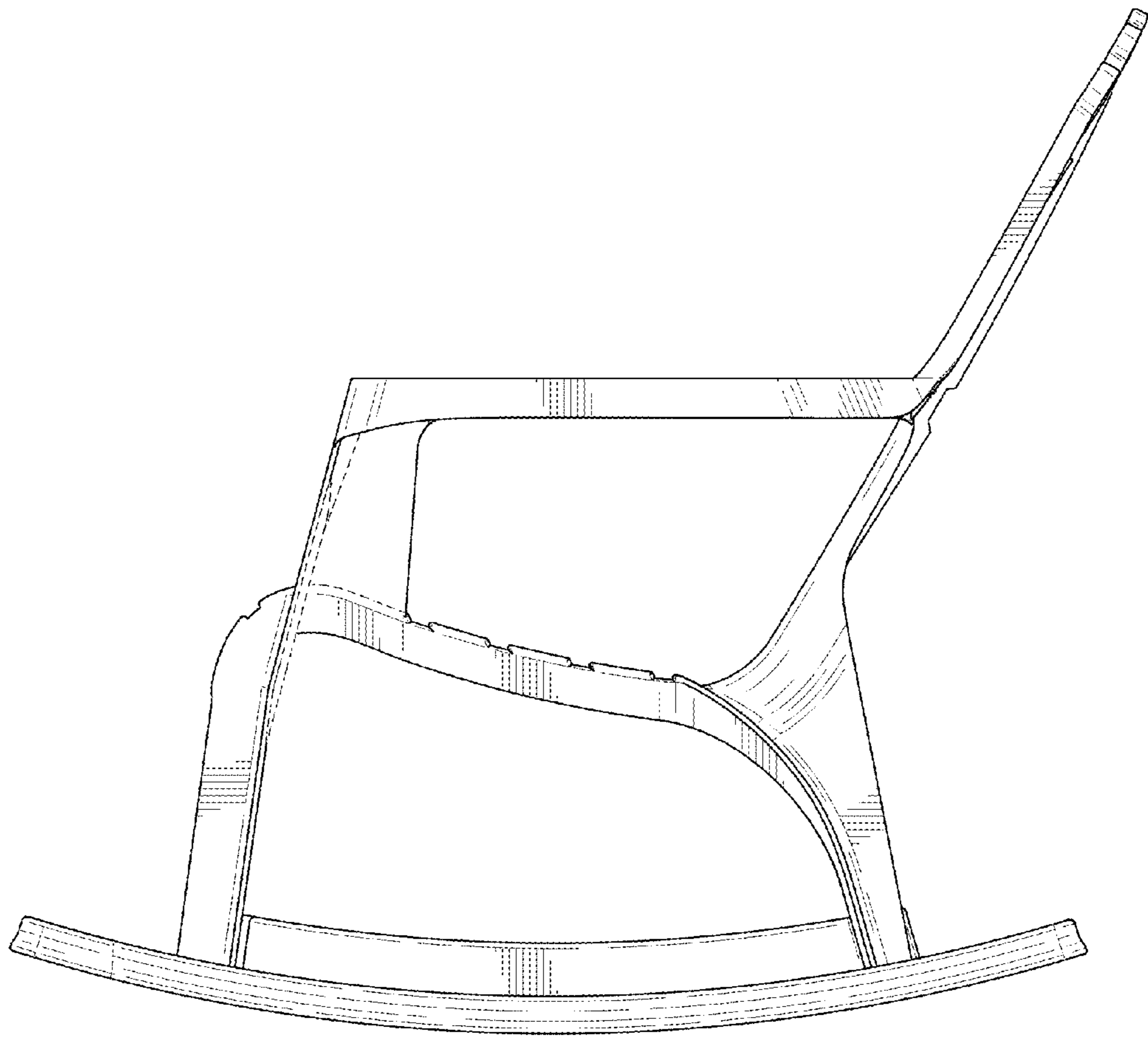


FIG. 4

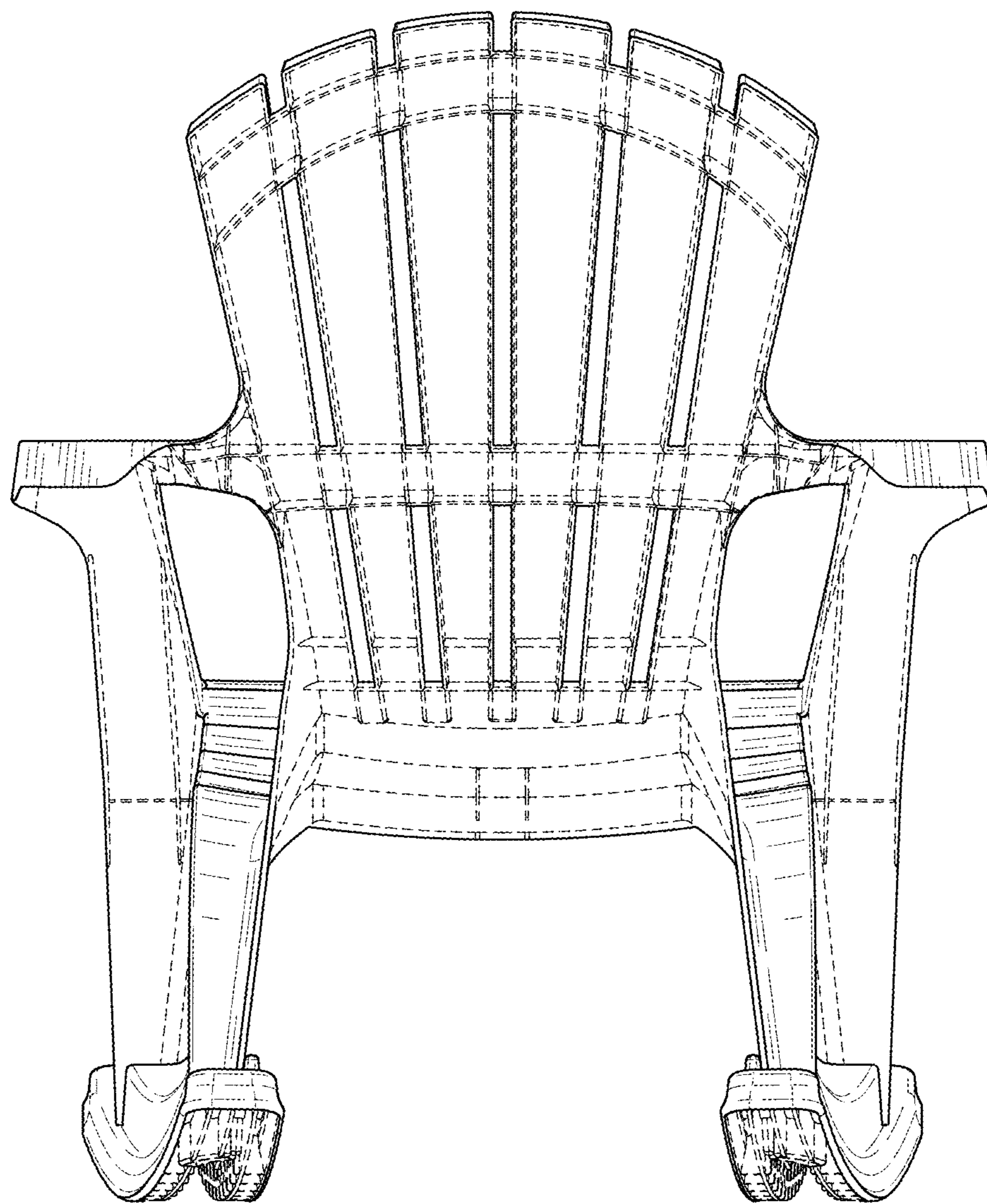


FIG. 5

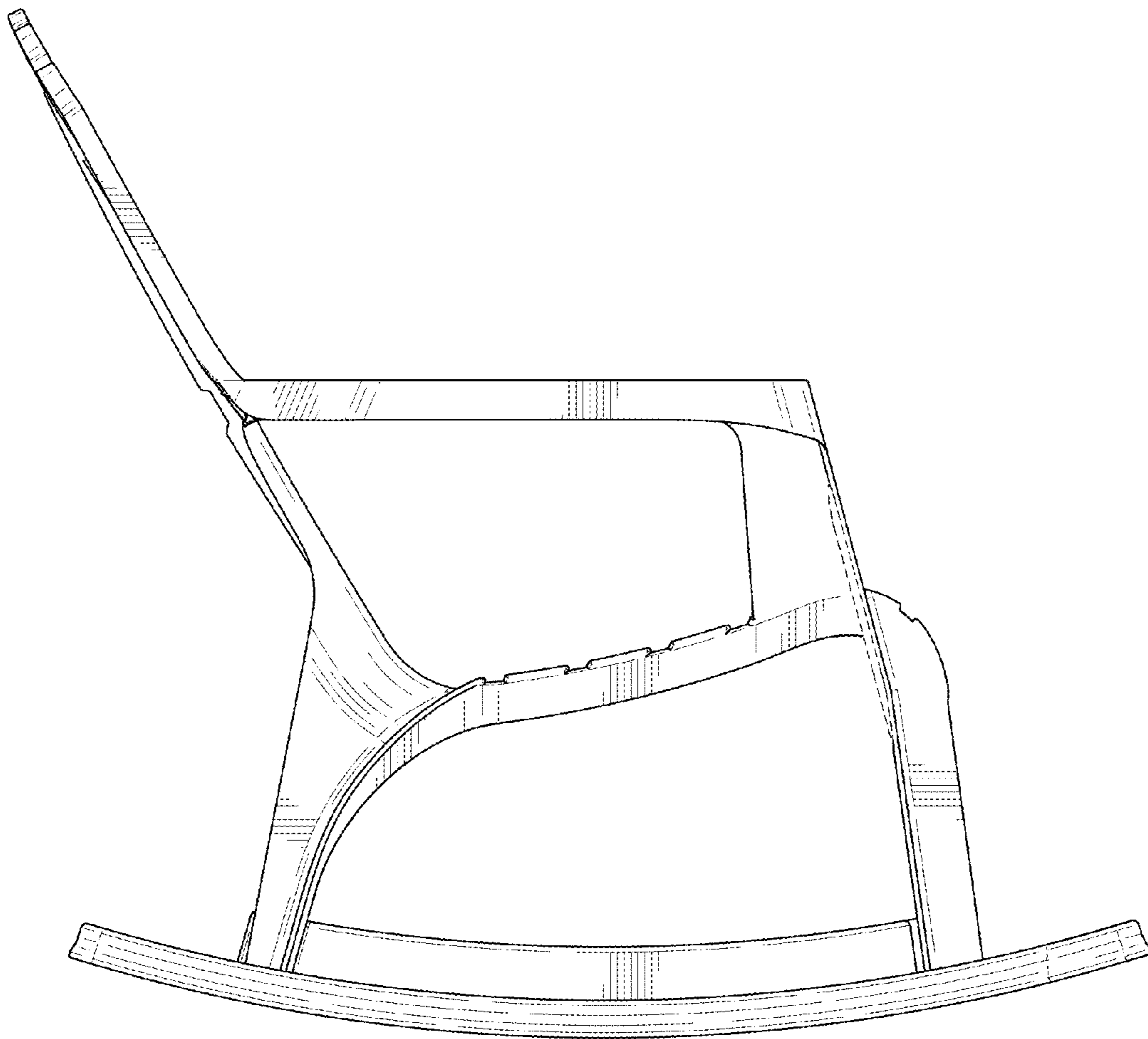


FIG. 6

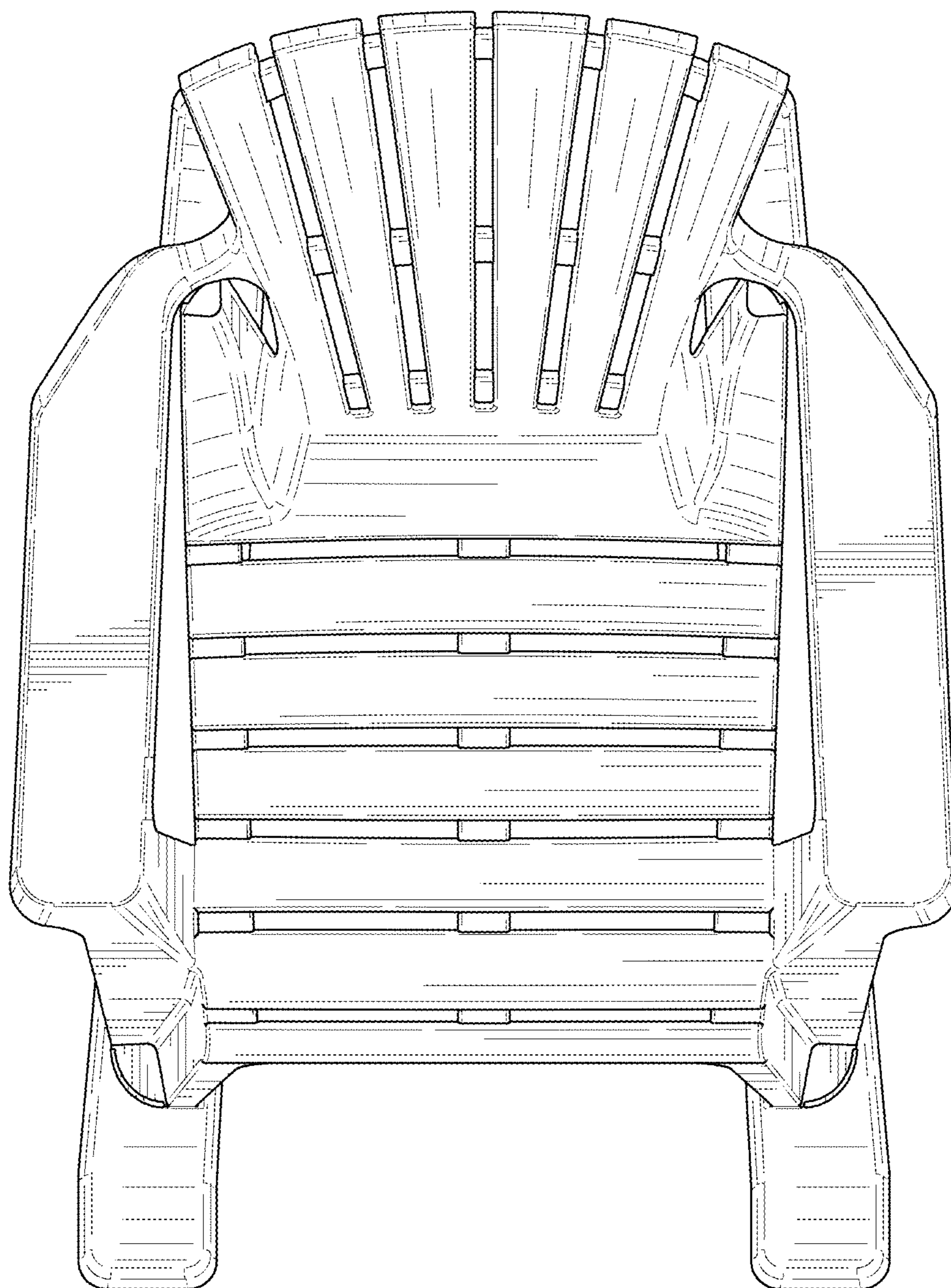


FIG. 7

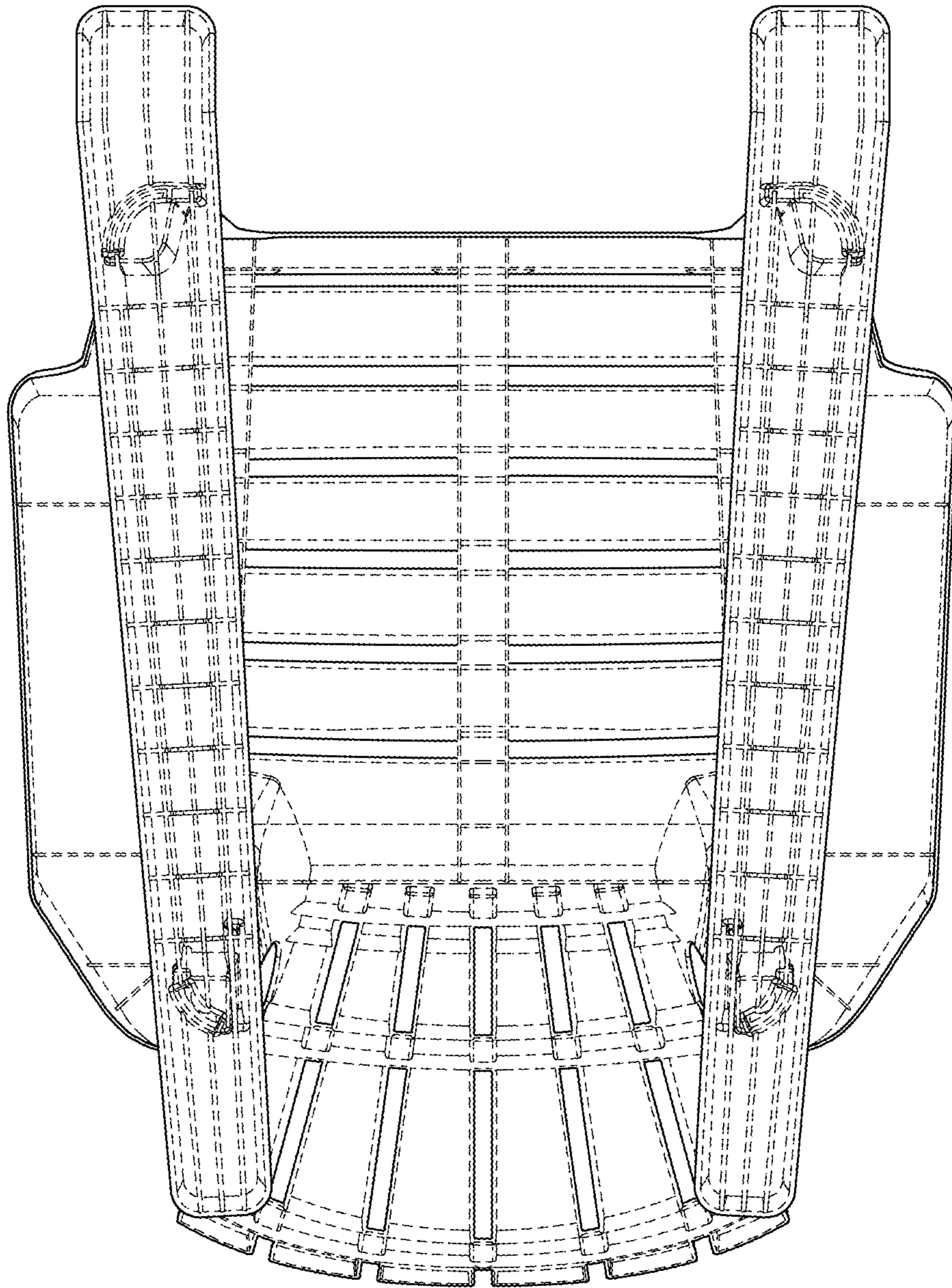


FIG. 8