



US00D761029S

(12) **United States Design Patent**
Behar et al.

(10) **Patent No.:** **US D761,029 S**
(45) **Date of Patent:** **** Jul. 12, 2016**

(54) **CHAIR WITH DESK**

(71) Applicant: **Herman Miller, Inc.**, Zeeland, MI (US)

(72) Inventors: **Yves Behar**, San Francisco, CA (US);
Qin Li, South San Francisco, CA (US);
Naoya Edahiro, San Francisco, CA
(US); **Noah Murphy-Reinhertz**, San
Francisco, CA (US); **Diana Chang**, San
Francisco, CA (US); **Matthew Malone**,
San Francisco, CA (US); **Casey Doran**
Lewis, Highland, UT (US)

(73) Assignee: **Herman Miller, Inc.**, Zeeland, MI (US)

(**) Term: **15 Years**

(21) Appl. No.: **29/542,355**

(22) Filed: **Oct. 13, 2015**

Related U.S. Application Data

(62) Division of application No. 29/450,168, filed on Mar.
15, 2013, now Pat. No. Des. 743,712.

(51) **LOC (10) Cl.** **06-01**

(52) **U.S. Cl.**
USPC **D6/336**

(58) **Field of Classification Search**

USPC D6/335, 336, 337, 338, 640, 643, 643.1,
D6/644, 406.1, 406.2, 406.3, 356, 334,
D6/381, 717, 716; D12/318, 345; D25/16
CPC A47C 17/00; A47C 17/02; A47C 17/12;
A47C 17/18; A47C 7/021; A47C 31/00;
A47C 3/16

See application file for complete search history.

(56) **References Cited**

U.S. PATENT DOCUMENTS

599,430 A 2/1898 Wells
879,803 A 2/1908 Vlasak

(Continued)

FOREIGN PATENT DOCUMENTS

EP 1366951 A2 12/2003
EP 1075810 A1 10/2005
WO 2009052656 A1 4/2009

OTHER PUBLICATIONS

“Architecture and Interior Exterior Design, Bathroom, Kitchen, Bed-
room, Living Room, Lighting, Furniture etc.,” www.panguripans.
com, Jan. 2011, retrieved May 9, 2012 (5 pages).

(Continued)

Primary Examiner — Sandra Snapp

(74) *Attorney, Agent, or Firm* — Michael Best & Friedrich
LLP

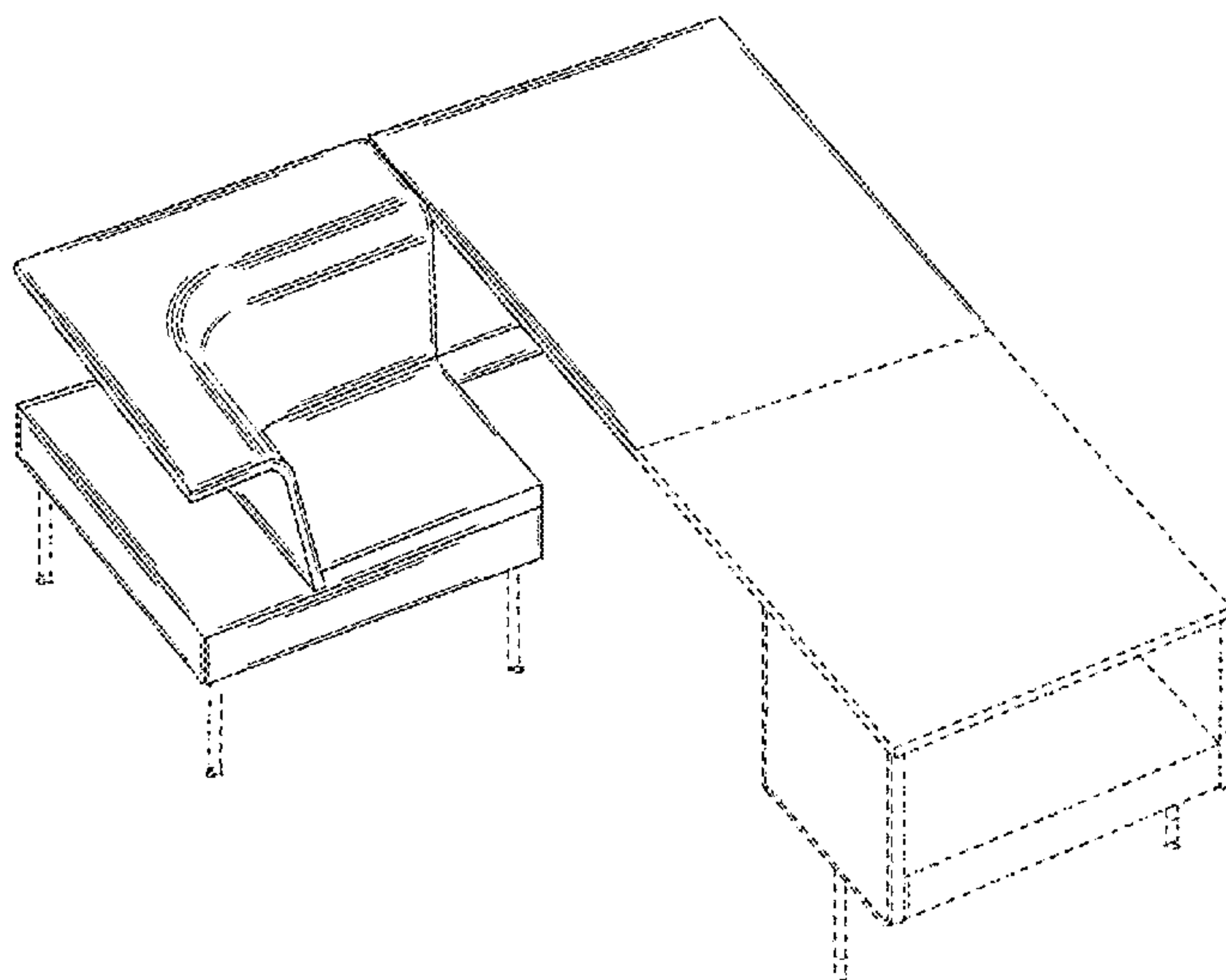
(57) **CLAIM**

We claim the ornamental design for the chair with desk, as
shown and described.

DESCRIPTION

FIG. 1 shows a perspective view of chair with desk;
FIG. 2 shows a right side view of the chair with desk of FIG.
1;
FIG. 3 shows a left side view of the chair with desk of FIG. 1;
FIG. 4 shows a front view of the chair with desk of FIG. 1;
FIG. 5 shows a rear view of the chair with desk of FIG. 1;
FIG. 6 shows a top view of the chair with desk of FIG. 1; and,
FIG. 7 shows a bottom view of the chair with desk of FIG. 1.
Any broken lines in FIGS. 1-7 are for environmental purposes
only and form no part of the claimed designs. The ornamental
designs which are claimed are shown in solid lines in the
drawings. For the bottom views of the chairs and seating
structures of FIG. 7 for those areas devoid of shading or
phantom lines they are flat and devoid of ornamentation.

1 Claim, 7 Drawing Sheets



(56)

References Cited

U.S. PATENT DOCUMENTS

1,231,303 A	6/1917	Seligman	5,253,595 A	10/1993	Heidmann
1,325,630 A	12/1919	Fair	5,292,109 A	3/1994	Bebber et al.
1,329,988 A	2/1920	Montgomery	5,342,109 A	8/1994	Berry et al.
1,333,554 A	3/1920	Melcher	D356,691 S *	3/1995	Lin D6/336
1,533,219 A	4/1925	Sugerman	5,470,128 A	11/1995	Kerkham
1,649,013 A	11/1927	Bell	D369,495 S	5/1996	Mourgue
1,984,207 A	12/1934	Ceslowitz	5,632,473 A	5/1997	Dias Magalhaes Queiroz
D102,971 S *	1/1937	Hale D6/336	D381,526 S	7/1997	Kane
2,136,407 A	11/1938	Armour	5,692,335 A	12/1997	Magnuson
2,184,047 A	12/1939	King	5,713,633 A	2/1998	Lu
D130,795 S	12/1941	Eppenstein	5,754,995 A	5/1998	Behrendt
2,294,039 A	8/1942	Looney	5,857,226 A	1/1999	Sommer
2,383,125 A	8/1945	Hill	5,890,325 A	4/1999	Corcorran et al.
2,429,050 A	10/1947	Decker	5,899,025 A	5/1999	Casey et al.
D148,337 S *	1/1948	Stein D6/336	5,906,420 A	5/1999	Rozier et al.
D148,511 S	1/1948	Young	5,970,662 A	10/1999	Corcorran et al.
D158,892 S *	6/1950	Murphy et al. D6/338	6,050,638 A	4/2000	West
D162,426 S	3/1951	Michelson	6,059,358 A	5/2000	Demick et al.
D162,427 S	3/1951	Michelson	6,067,762 A	5/2000	Greer et al.
D177,081 S	3/1956	Wells	6,128,873 A	10/2000	Shipman et al.
2,759,529 A	8/1956	Hagadorn	6,135,548 A	10/2000	McGuire
2,767,771 A	10/1956	Leonard	6,145,448 A	11/2000	Marschand et al.
D181,732 S *	12/1957	Kelly D14/172	6,152,527 A	11/2000	McDowell et al.
2,893,476 A	7/1959	Liljengren	6,170,909 B1	1/2001	Inoue
D186,308 S	10/1959	Knoll	6,189,268 B1	2/2001	Carr et al.
D188,488 S	8/1960	Otto	6,220,186 B1	4/2001	Scharer et al.
2,951,531 A	9/1960	Dantes	D441,204 S *	5/2001	Bernich D6/334
D190,805 S	7/1961	Deskey	6,331,033 B2	12/2001	Lau
3,028,607 A	4/1962	Anderson	D454,441 S	3/2002	Bermudez et al.
3,058,123 A	10/1962	Pink et al.	6,450,571 B1	9/2002	Canni et al.
3,110,911 A	11/1963	Osborne et al.	6,581,344 B1	6/2003	Niewiadomski et al.
3,228,041 A	1/1966	Osborne	6,594,833 B2	7/2003	Timoshenko
3,254,931 A	6/1966	Jacobi	6,629,836 B2	10/2003	Campbell
3,275,374 A	9/1966	Holzner et al.	6,681,529 B1	1/2004	Baloga et al.
3,615,118 A	10/1971	Buxton	6,702,389 B2	3/2004	Hall, Jr. et al.
3,708,367 A	1/1973	Grant et al.	6,726,276 B1	4/2004	Tholkes et al.
D235,179 S	5/1975	Bernard	6,739,096 B2	5/2004	Feldpausch et al.
3,890,658 A	6/1975	Petersilie	6,779,846 B2	8/2004	Spendlove et al.
3,990,741 A	11/1976	Snyder et al.	6,854,805 B2	2/2005	Fujita et al.
D243,894 S	4/1977	Offredi	6,880,886 B2	4/2005	Bodnar et al.
4,032,188 A	6/1977	Jones	6,899,398 B2	5/2005	Coffield
D245,950 S	10/1977	Mathur	6,922,949 B2	8/2005	Cornell et al.
D247,009 S	1/1978	Schoblom	6,932,430 B2	8/2005	Bedford et al.
4,077,666 A	3/1978	Heumann	6,942,300 B2	9/2005	Numa et al.
4,085,970 A	4/1978	Klein	6,957,863 B2	10/2005	Heidmann et al.
4,092,049 A	5/1978	Schoblom	6,966,606 B2	11/2005	Coffield
D248,802 S	8/1978	Iselin	6,991,291 B2	1/2006	Knoblock et al.
4,114,949 A	9/1978	Benoit	7,020,911 B2	4/2006	Oldham
D249,752 S	10/1978	Eilersen	7,029,071 B2	4/2006	Watson et al.
D251,938 S	5/1979	Spound	7,048,335 B2	5/2006	Norman et al.
D251,940 S	5/1979	Spound	7,055,911 B2	6/2006	Simpson et al.
D259,600 S	6/1981	Marks	D525,448 S	7/2006	Thom et al.
D259,601 S	6/1981	Marks	7,096,549 B2	8/2006	Coffield
D259,605 S	6/1981	Marks	7,097,247 B2	8/2006	Batthey et al.
D262,421 S	12/1981	Aronowitz	7,131,699 B2	11/2006	Mulmed
4,305,616 A	12/1981	Martinez et al.	7,131,700 B2	11/2006	Knoblock et al.
D264,027 S	4/1982	Aronowitz	7,165,811 B2	1/2007	Bodnar et al.
D264,648 S	6/1982	Rodriquez	7,181,783 B2	2/2007	O'Reilly
D267,759 S	2/1983	Krabepetcharat	7,207,625 B1	4/2007	Hardt, II et al.
D268,970 S	5/1983	Mascheroni	7,226,130 B2	6/2007	Tubergen et al.
D269,651 S	7/1983	Blowers	7,234,774 B2	6/2007	Heidmann et al.
4,433,884 A	2/1984	Edwards et al.	7,264,311 B2	9/2007	Heidmann
D273,156 S	3/1984	Dubbin	7,281,762 B1	10/2007	Getfield
D275,243 S	8/1984	Tiffany, III	7,334,845 B2	2/2008	Peterson et al.
D280,153 S	8/1985	Hopfer	7,347,493 B2	3/2008	Mulmed
4,647,109 A	3/1987	Christophersen et al.	7,360,835 B2	4/2008	Tubergen et al.
4,662,679 A	5/1987	Franck et al.	D572,933 S	7/2008	van Ierssel et al.
D298,784 S	12/1988	Friedman	7,396,079 B2	7/2008	Heidmann et al.
4,796,954 A	1/1989	Saito	7,419,214 B2	9/2008	Plant
4,835,029 A	5/1989	Thebaud et al.	7,523,989 B2	4/2009	Wieland et al.
4,925,256 A	5/1990	Vargas et al.	7,568,763 B2	8/2009	Bedford et al.
D311,283 S	10/1990	Warren	7,575,283 B2	8/2009	Crowe
4,978,157 A	12/1990	Murakami	7,611,183 B2	11/2009	Burkey et al.
5,038,421 A	8/1991	Harris	7,647,714 B2	1/2010	Coffield et al.
5,083,838 A	1/1992	Maxwell	D616,209 S *	5/2010	Singler D6/338
			7,707,790 B2	5/2010	Williams et al.
			7,806,474 B2	10/2010	Wahl et al.
			D627,576 S	11/2010	Joly
			7,841,667 B2	11/2010	Mossbeck

(56)

References Cited

U.S. PATENT DOCUMENTS

D646,907 S 10/2011 Joly
 8,029,060 B2 10/2011 Parker et al.
 D648,950 S * 11/2011 Urquiola D6/381
 8,075,054 B2 12/2011 Smith
 8,104,850 B2 1/2012 Hager et al.
 8,128,175 B2 3/2012 Groelsma et al.
 8,167,367 B1 5/2012 Martinez
 8,185,985 B2 5/2012 Coffield et al.
 D669,702 S 10/2012 Barefoot
 D693,584 S 11/2013 Kanthasamy
 D698,173 S 1/2014 Caldwell
 D702,953 S 4/2014 Beucler et al.
 D704,469 S 5/2014 Gaschy et al.
 D708,451 S 7/2014 Gashcy et al.
 D725,398 S 3/2015 Lee
 D727,042 S * 4/2015 Wagner D6/338
 D731,192 S * 6/2015 Sorel D6/338
 D739,662 S 9/2015 Webb
 D743,712 S 11/2015 Behar et al.
 D751,310 S 3/2016 Schroeder
 2003/0001424 A1 1/2003 Mundell et al.

2005/0046243 A1 3/2005 Cimino et al.
 2005/0140184 A1 6/2005 Williams et al.
 2007/0040434 A1 2/2007 Plant
 2007/0138848 A1 6/2007 Schurg et al.
 2007/0283631 A1 12/2007 Grandin et al.
 2009/0091170 A1 4/2009 Grentzelius et al.
 2010/0196088 A1 8/2010 Johnsson
 2011/0181085 A1 7/2011 Pfeifer et al.
 2011/0233976 A1 9/2011 Hanson et al.
 2012/0019035 A1 1/2012 Uhlenbrock
 2012/0112500 A1 5/2012 Rundle et al.
 2012/0187737 A1 7/2012 Blair
 2014/0312661 A1* 10/2014 Behar A47C 7/40
 297/135

OTHER PUBLICATIONS

Smart Desks, "Exchange Collaboration Furniture, Furniture for Collaborative Learning," © 1997-2012, www.smartdesks.com, retrieved May 9, 2012 (10 pages).
 The Design Home, "Plot by Osko+Deichmann for Brunner," www.thedesignhome.com, Apr. 2012, retrieved May 9, 2012 (4 pages).

* cited by examiner

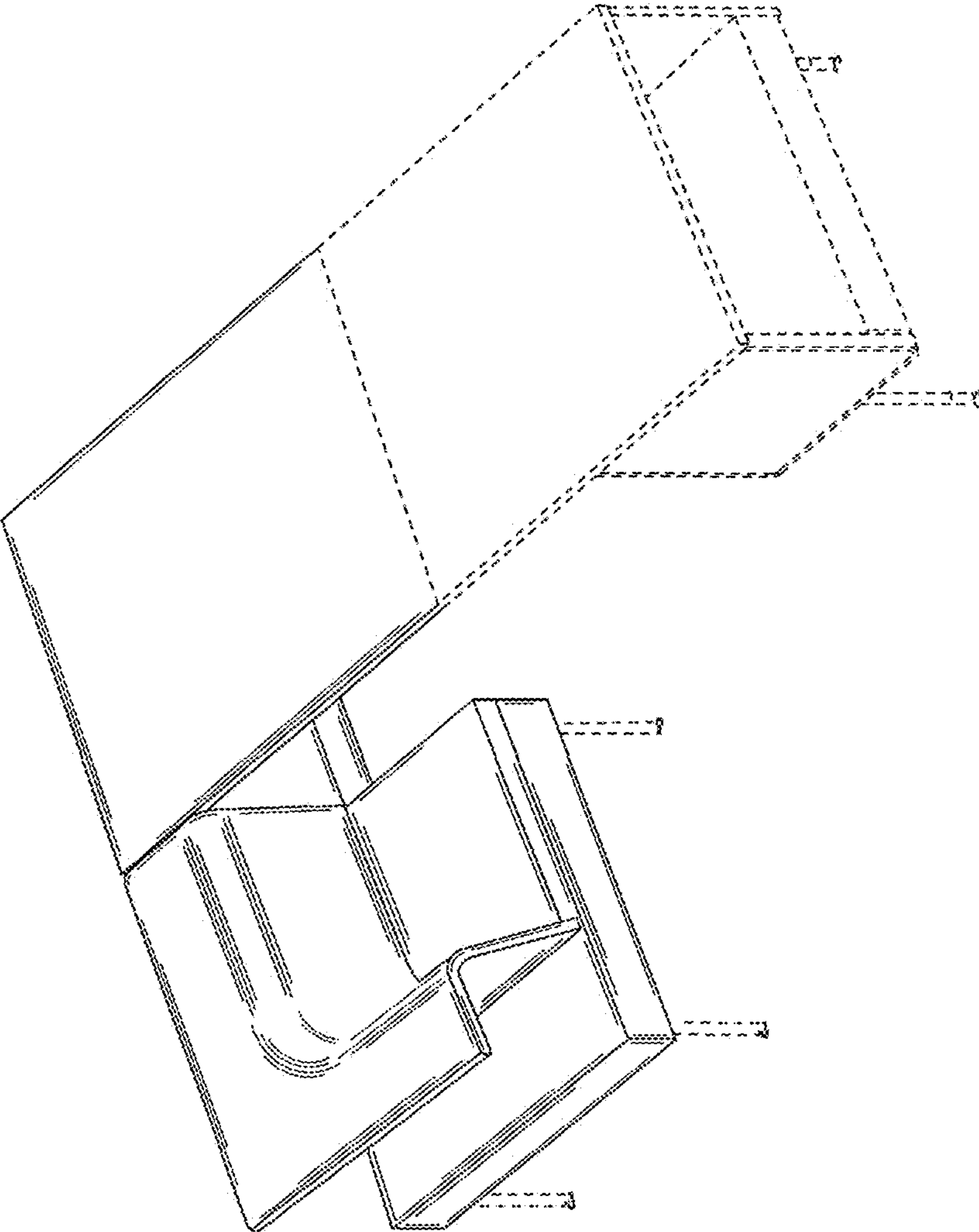


FIG. 1

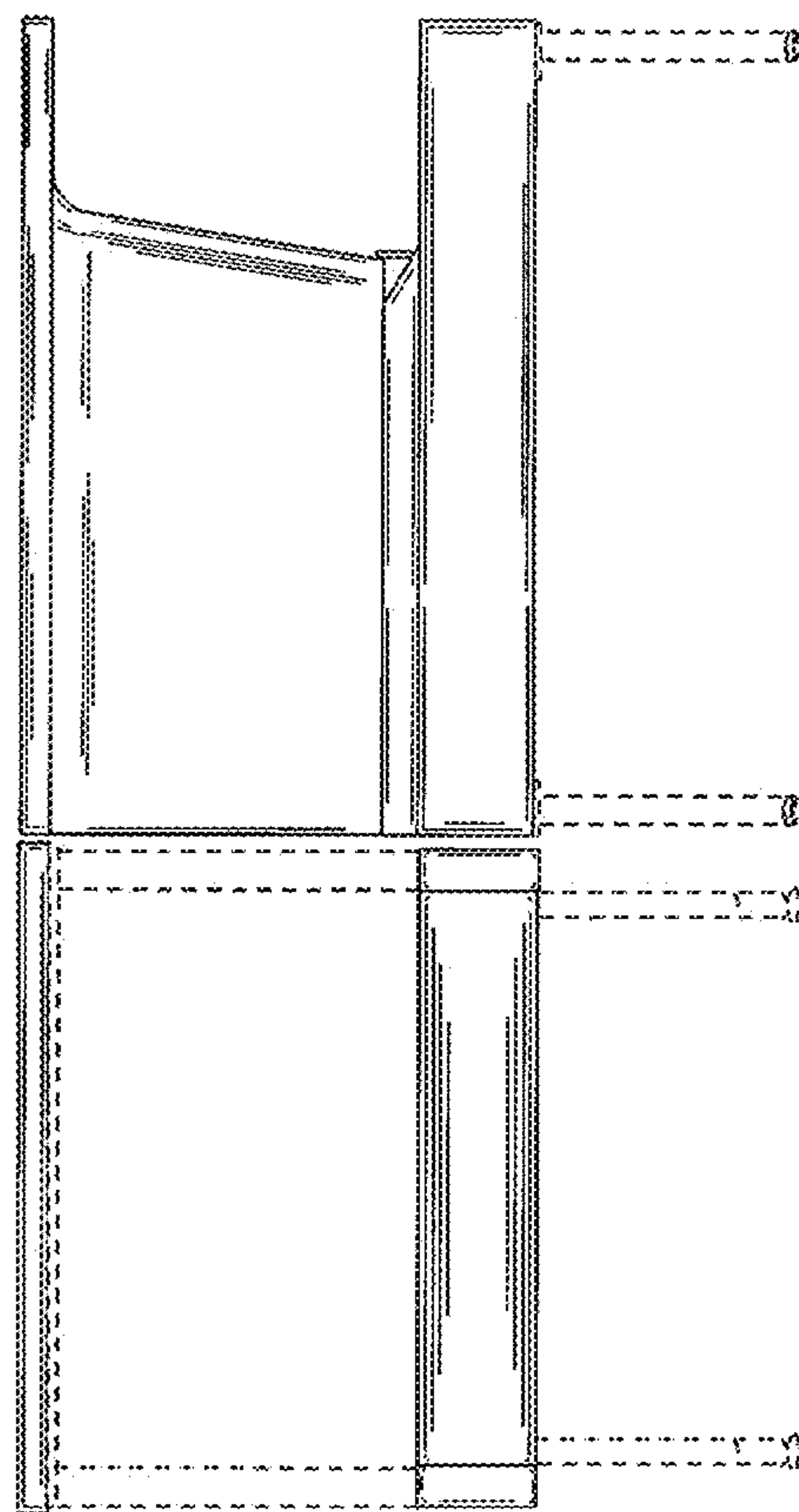


FIG. 2

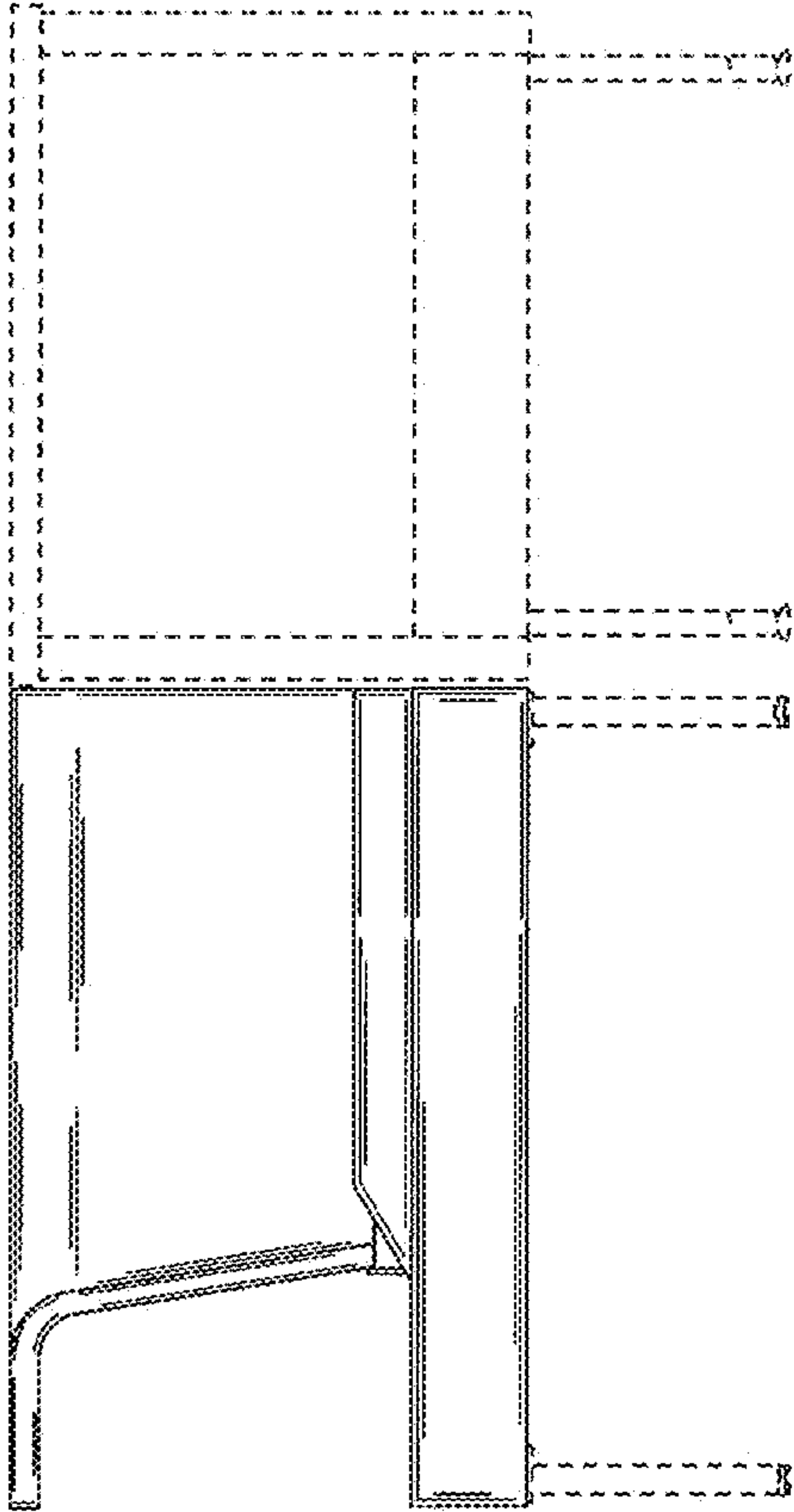


FIG. 3

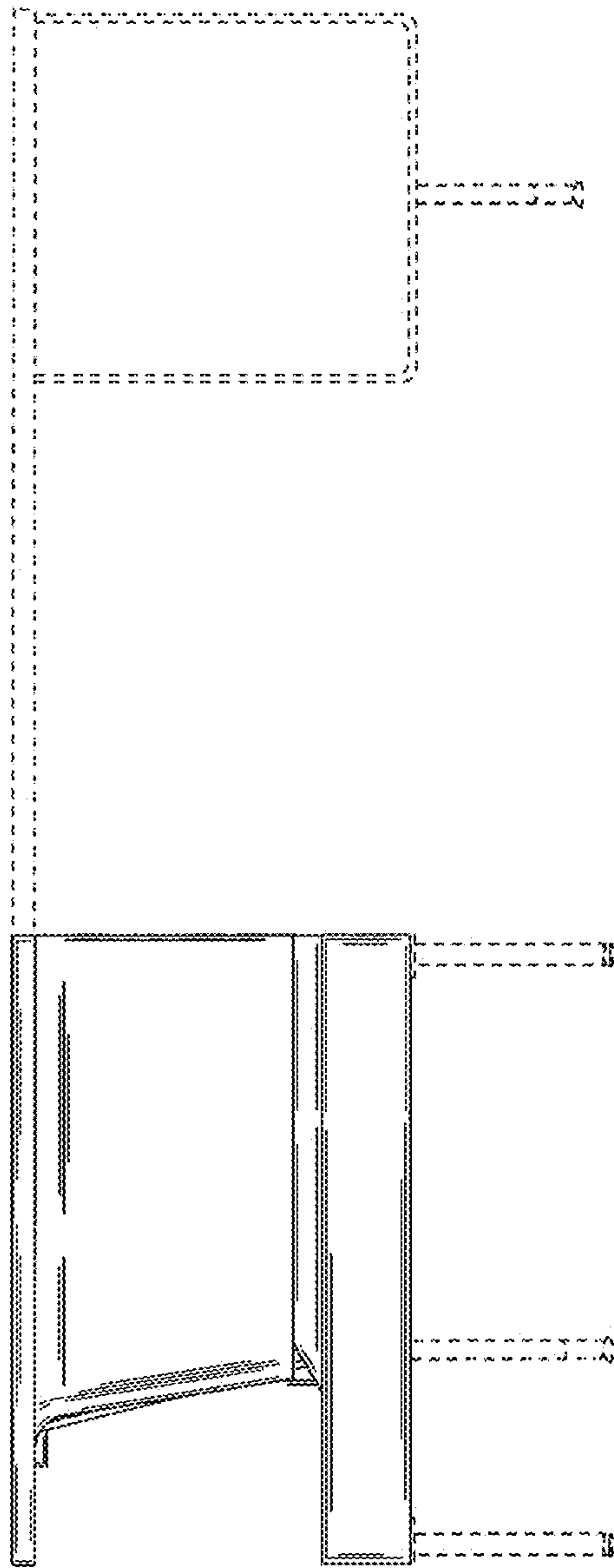


FIG. 4

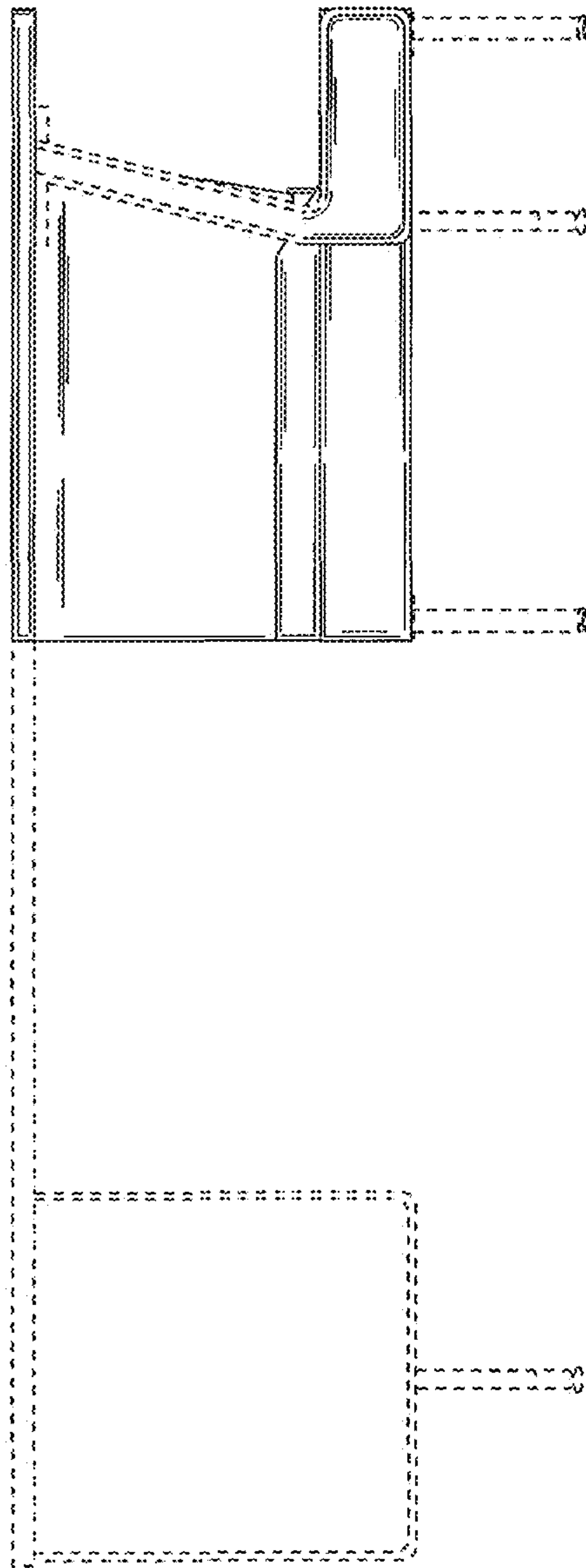


FIG. 5

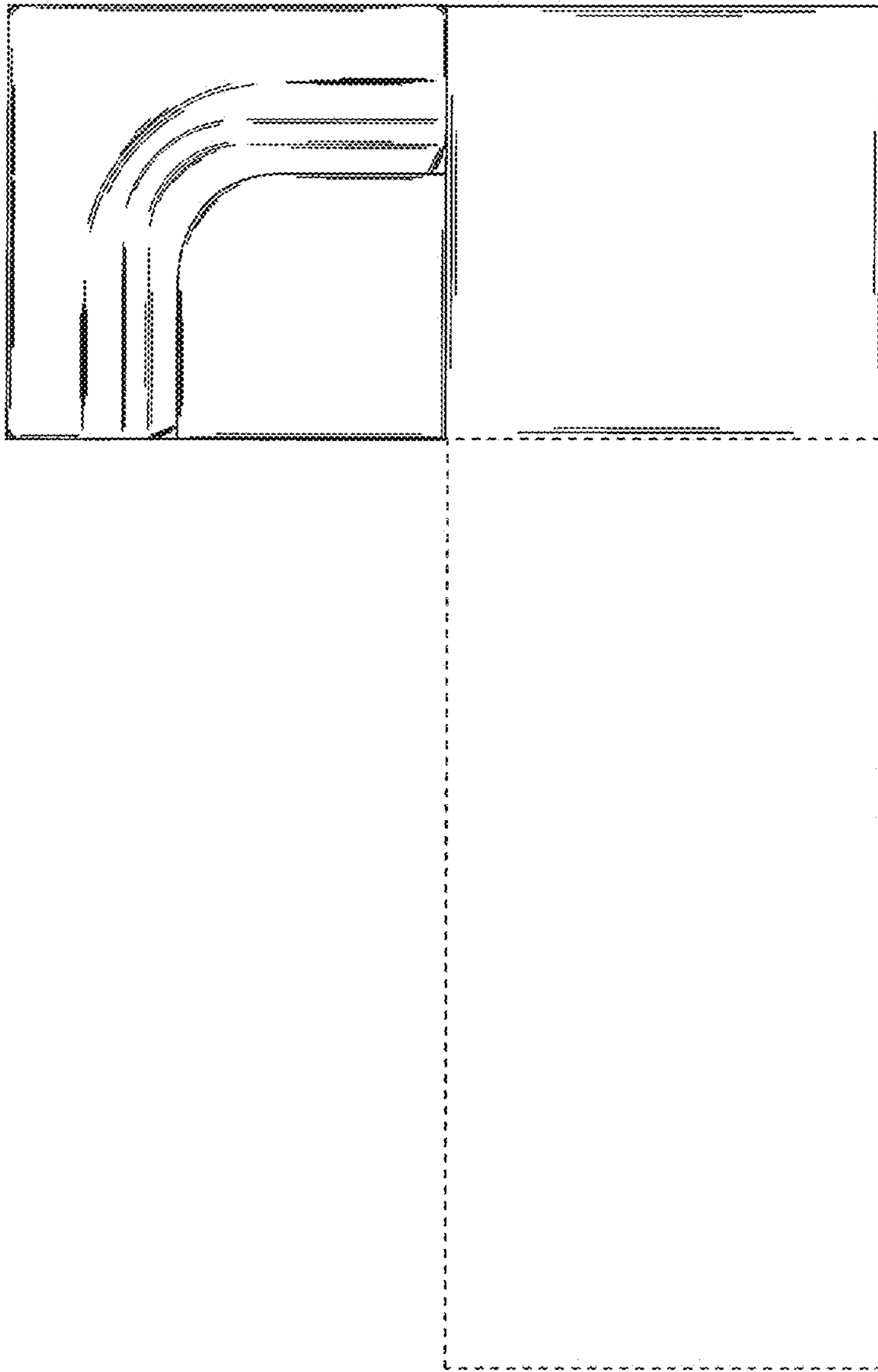


FIG. 6

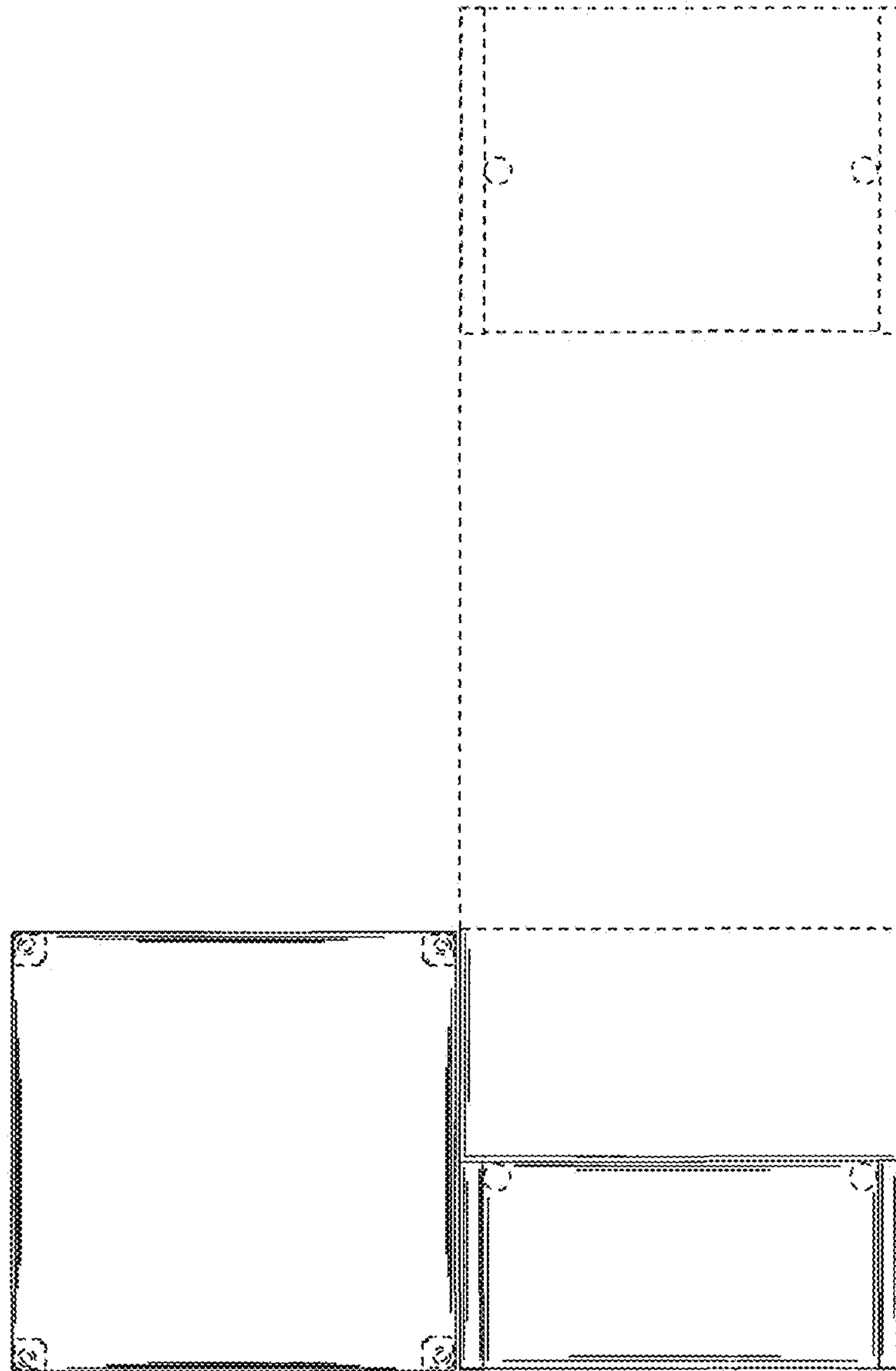


FIG. 7