



US00D761026S

(12) **United States Design Patent**  
**Pires et al.**

(10) **Patent No.:** **US D761,026 S**  
(45) **Date of Patent:** **\*\* Jul. 12, 2016**

- (54) **CORE OF A MASCARA BRUSH**
- (71) Applicant: **Zen Design Solutions Limited**, Tsim Sha Tsui, Kowloon (HK)
- (72) Inventors: **Leo Clifford Pires**, Basking Ridge, NJ (US); **Roger Hwang**, Maple (CA); **Rahul Bose**, New Delhi (IN); **Smita Srivastava**, New Delhi (IN)
- (73) Assignee: **ZEN DESIGN SOLUTIONS LIMITED**, Kowloon, Hong Kong (CN)
- (\*\*) Term: **14 Years**
- (21) Appl. No.: **29/471,590**
- (22) Filed: **Nov. 1, 2013**
- (51) **LOC (10) Cl.** ..... **04-02**
- (52) **U.S. Cl.**  
USPC ..... **D4/136**
- (58) **Field of Classification Search**  
USPC ..... D4/119, 120, 128, 133, 136  
CPC ..... A46B 3/00; A46B 3/005; A46B 3/04; A46B 3/06; A46B 3/22; A46B 5/0004; A46B 5/0008; A46B 5/0016; A46B 9/021; A46B 9/023; A46B 9/026; A46B 2200/1046; A46B 2200/1053; A46B 2200/106  
See application file for complete search history.

D568,612	S	*	5/2008	Chan	.....	D4/120
D570,605	S	*	6/2008	Neuner et al.	.....	D4/136
7,581,546	B2	*	9/2009	Dumler	.....	132/218
D645,664	S	*	9/2011	Pires et al.	.....	D4/133
D646,490	S	*	10/2011	Pires et al.	.....	D4/136
D677,471	S	*	3/2013	Pires et al.	.....	D4/136

**FOREIGN PATENT DOCUMENTS**

FR 2955018 A1 \* 7/2011

\* cited by examiner

*Primary Examiner* — Rosemary K Tarcaza

*Assistant Examiner* — Christy Nemeth

(74) *Attorney, Agent, or Firm* — Patterson & Sheridan, LLP

(57) **CLAIM**

The ornamental design for a core of a mascara brush, as shown and described.

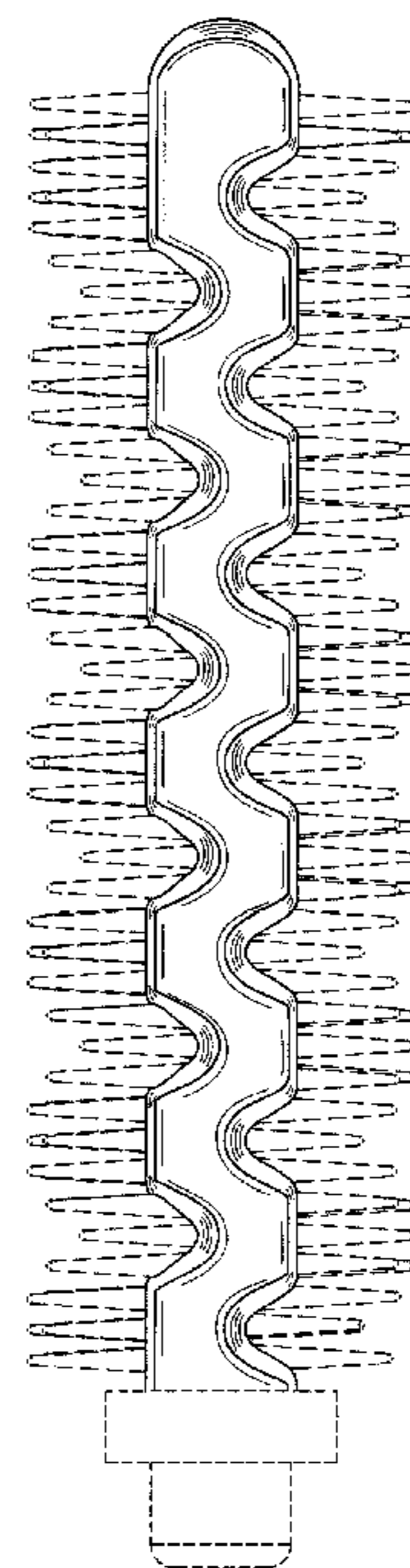
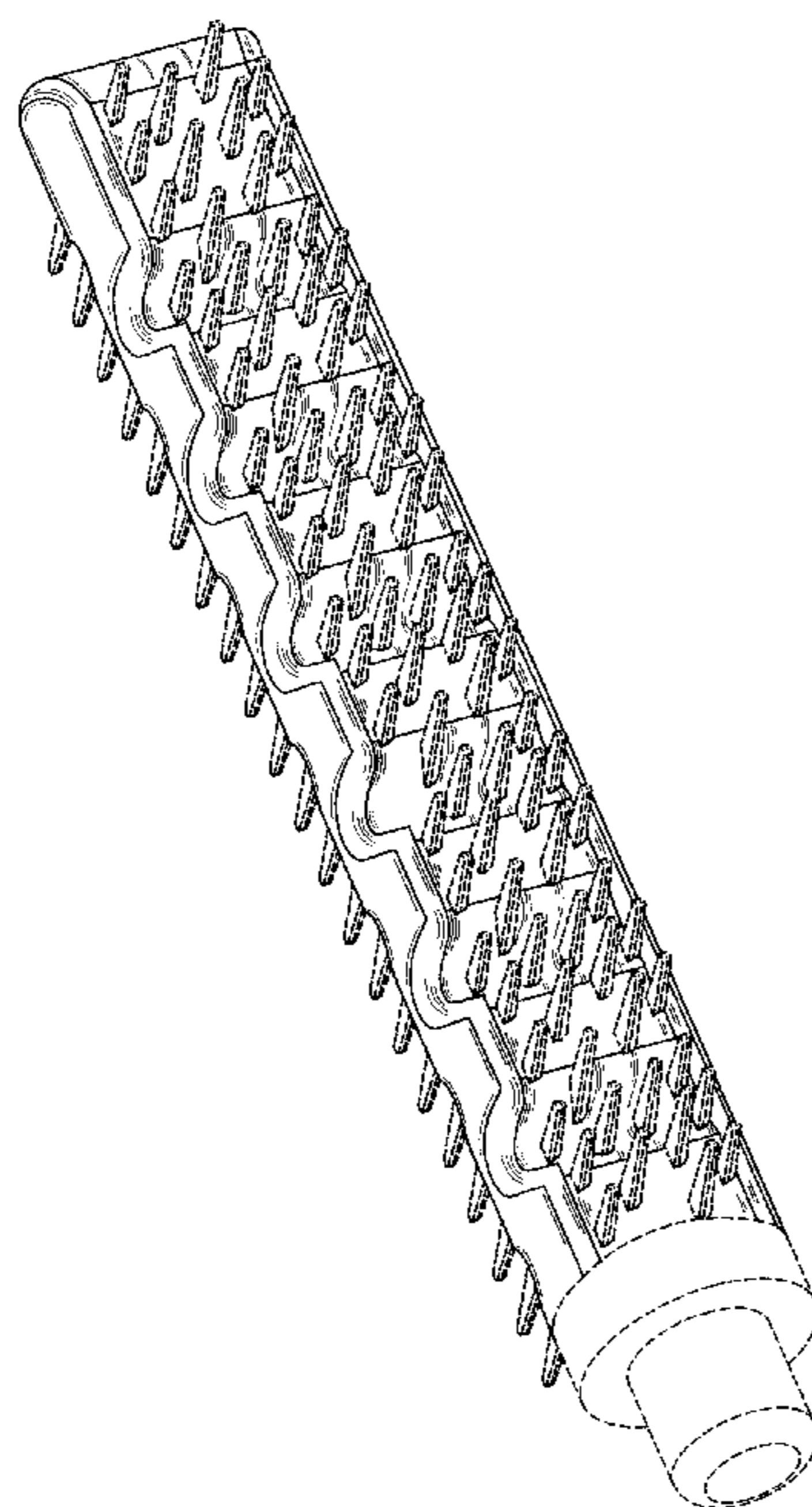
**DESCRIPTION**

FIG. 1 illustrates an isometric view of a core of a mascara brush;  
 FIG. 2 is a right view thereof;  
 FIG. 3 is a left view thereof;  
 FIG. 4 is a front view thereof;  
 FIG. 5 is a rear view thereof;  
 FIG. 6 is an enlarged top view thereof; and,  
 FIG. 7 is an enlarged bottom view thereof.  
 The broken lines showing the bristles and the cylindrical features on the proximal end illustrate environmental structure that forms no part of the claimed design.

**1 Claim, 6 Drawing Sheets**

(56) **References Cited**  
**U.S. PATENT DOCUMENTS**

4,565,205	A	*	1/1986	Taylor	.....	132/218
6,412,496	B1	*	7/2002	Gueret	.....	132/218



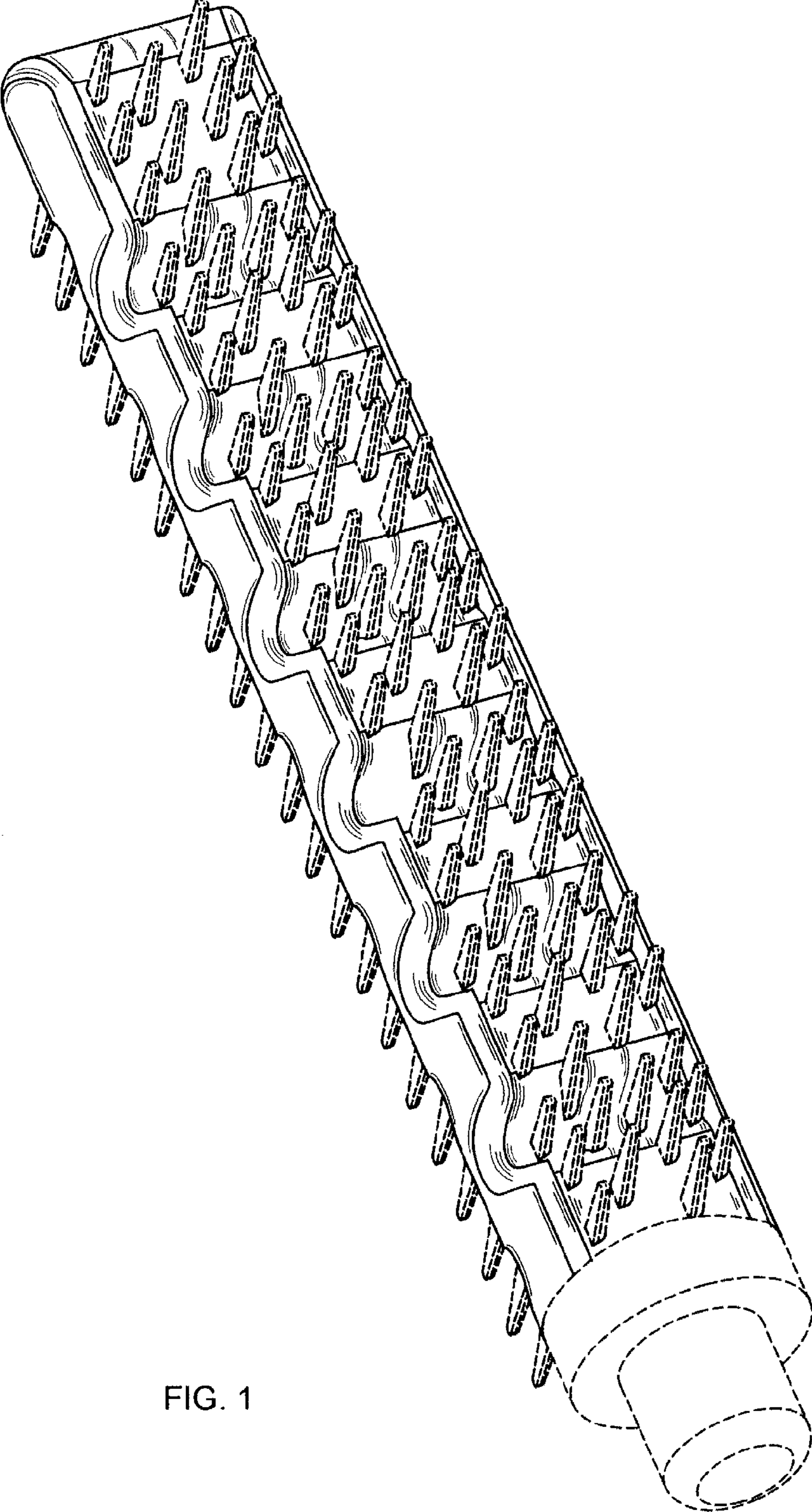


FIG. 1

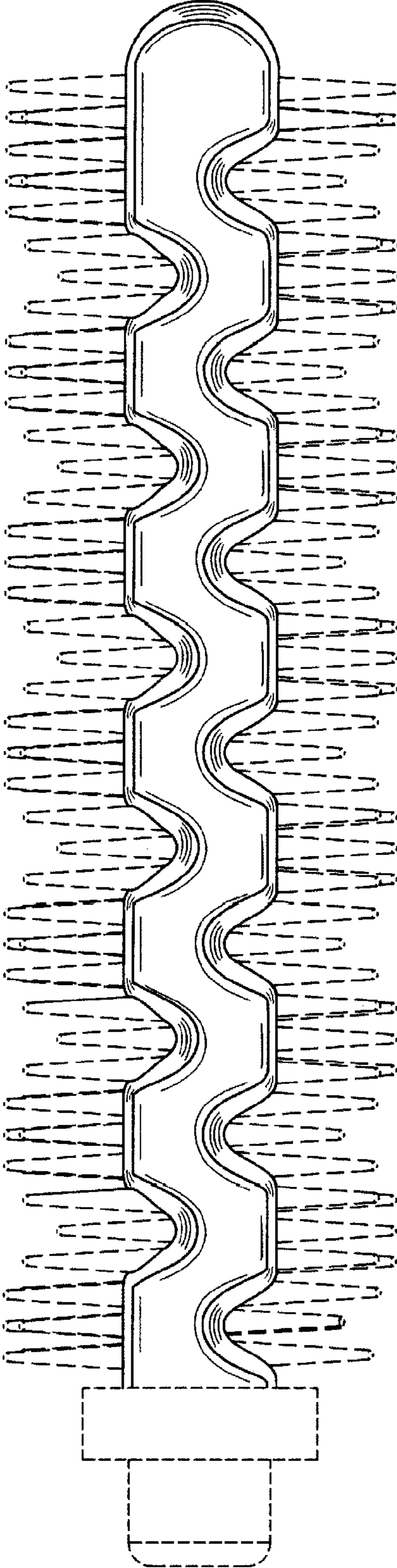


FIG. 2

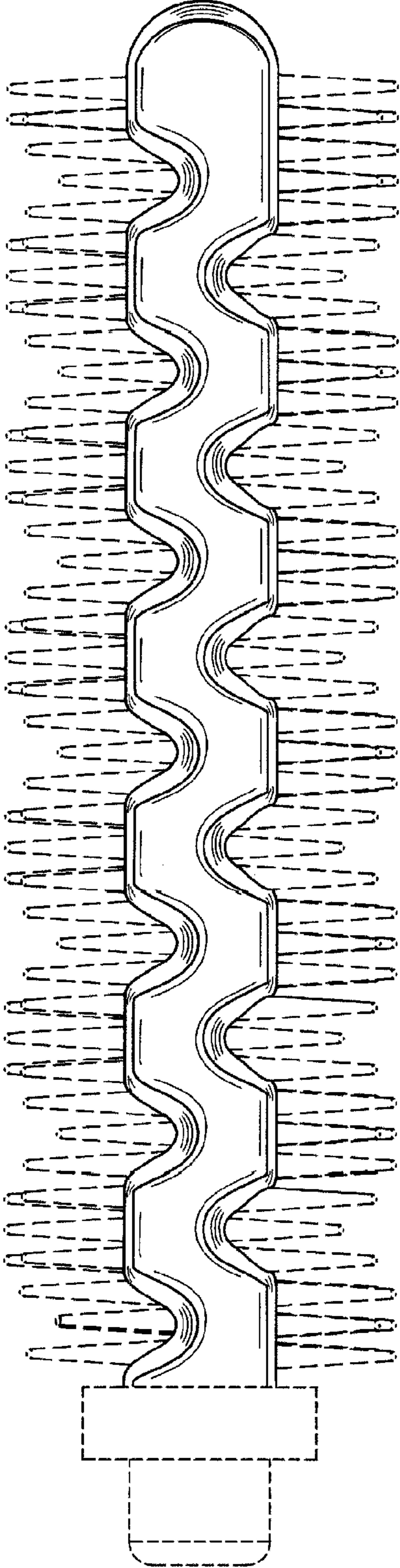


FIG. 3

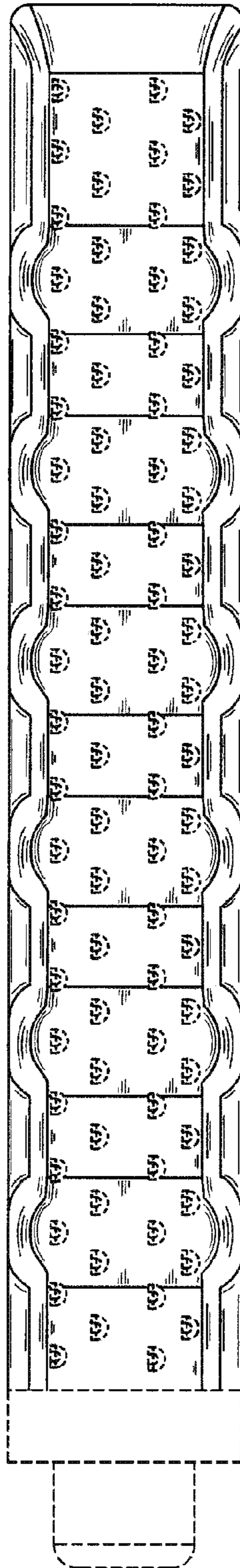


FIG. 4

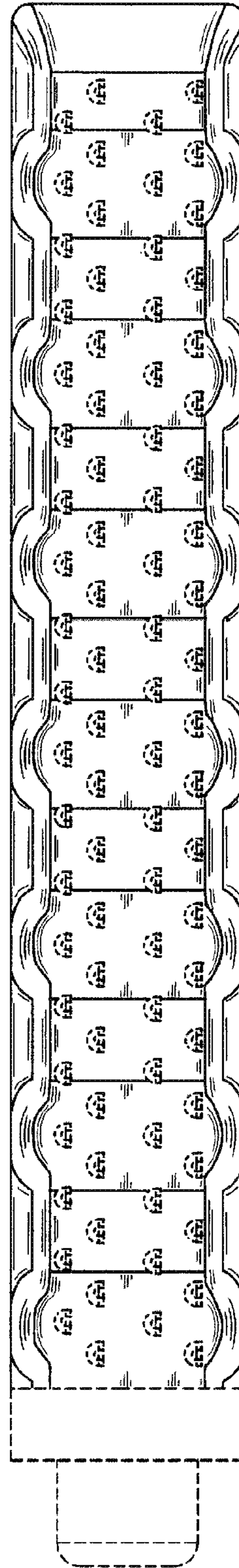


FIG. 5

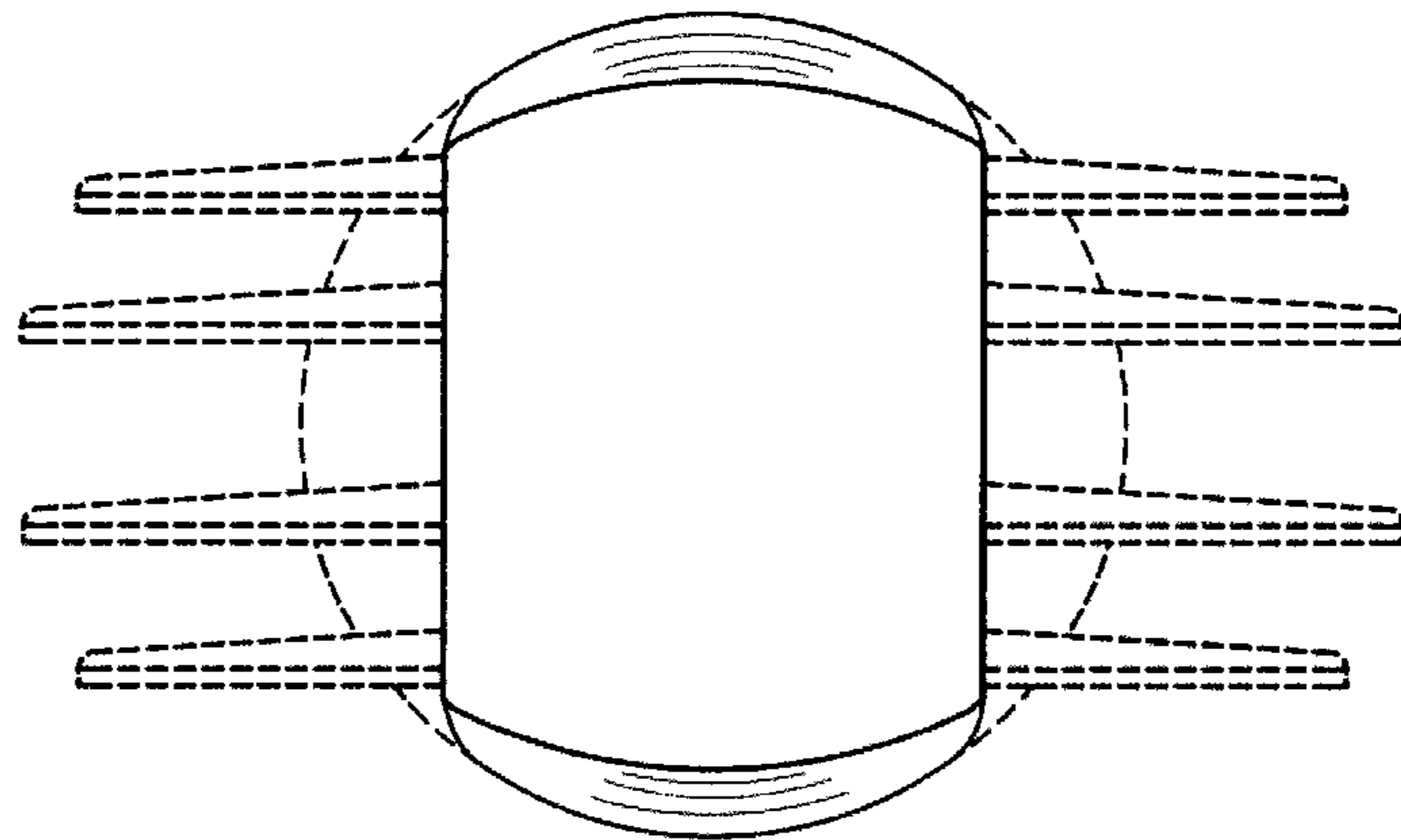


FIG. 6

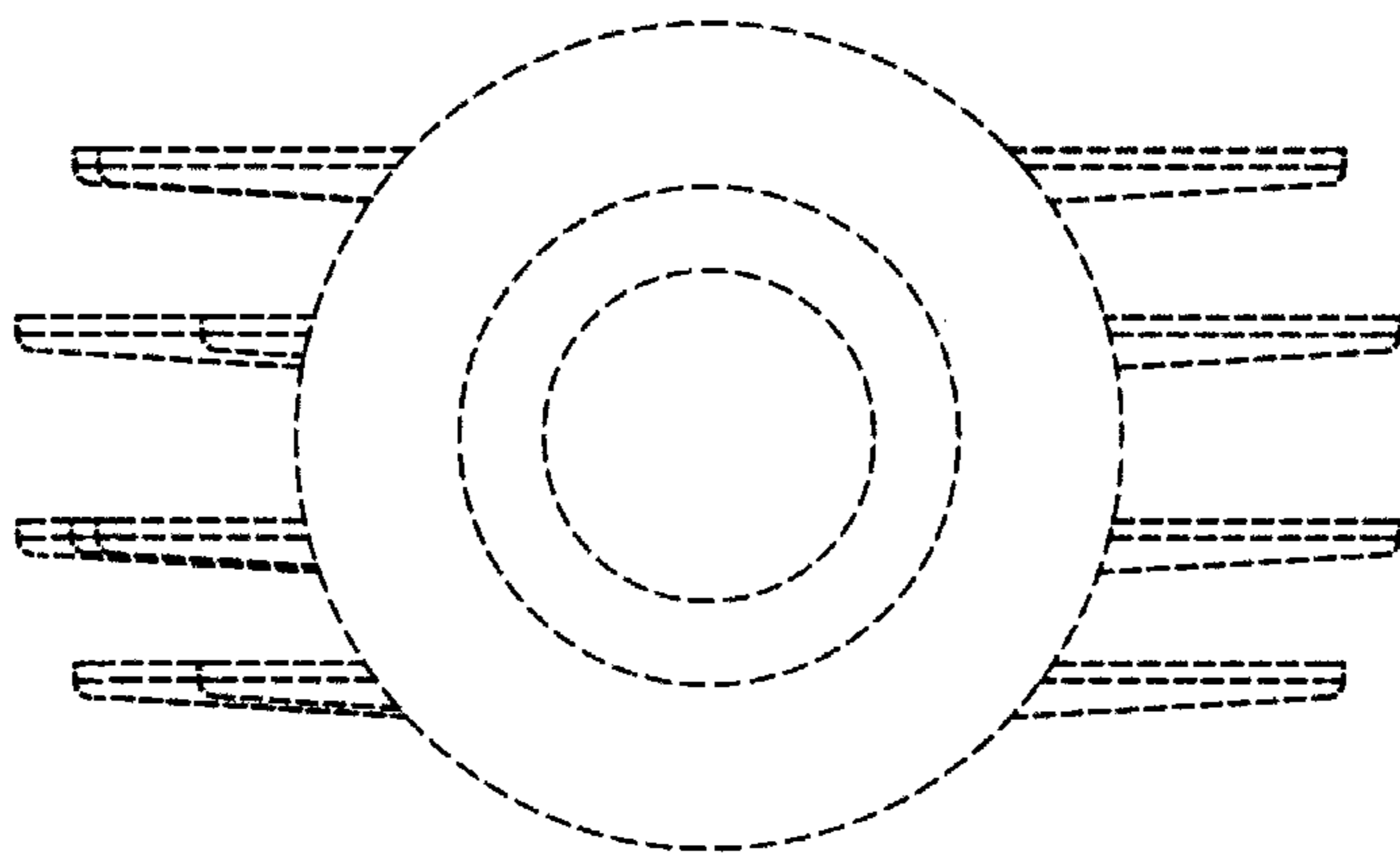


FIG. 7