



US00D761024S

(12) **United States Design Patent**
Guichot

(10) **Patent No.:** **US D761,024 S**
(45) **Date of Patent:** **** Jul. 12, 2016**

(54) **LOCK FOR A HANDBAG AND SHOES**

(71) Applicant: **BALENCIAGA**, Paris (FR)

(72) Inventor: **Isabelle Guichot**, Paris (FR)

(73) Assignee: **BALENCIAGA**, Paris (FR)

(**) Term: **14 Years**

(21) Appl. No.: **29/498,638**

(22) Filed: **Aug. 6, 2014**

(51) **LOC (10) Cl.** **03-01**

(52) **U.S. Cl.**

USPC **D3/318**

(58) **Field of Classification Search**

USPC D3/318–329, 226, 232, 233, 239–246;
D2/978, 946, 943; D8/330, 331,
D8/339–342

CPC E05B 1/00; A45C 5/03; A45C 2005/032;
A45C 2005/035; A45C 2005/037; A45C 5/04;
A45C 5/045; A45C 5/06; A45C 5/14; A45C
5/141; A45C 2005/142; A45C 5/146; A45C
7/00; A45C 7/0018; A45C 7/0022; A45C
7/0027; A45C 7/0031

See application file for complete search history.

(56) **References Cited**

U.S. PATENT DOCUMENTS

D156,751 S *	1/1950	Levine	D8/331
D168,146 S *	11/1952	Kiszely	D3/11
D221,375 S *	8/1971	Saito	D8/333
3,609,341 A *	9/1971	Castaldo	A45C 15/06 200/52 R
D234,452 S *	3/1975	Salto	D8/333
D491,041 S *	6/2004	Vito	D8/331
D578,306 S *	10/2008	Hermann	D3/232
D686,903 S *	7/2013	Guichot	D8/331
D689,756 S *	9/2013	Mukaide	D8/330
D707,102 S *	6/2014	Hale	D8/331

OTHER PUBLICATIONS

BALENCIAGA Maillon Flap Shoulder Bag posted by Modesens, posting date not given; [visited site on Apr. 4, 2016] Available from internet at: <URL: <http://modesens.com/product/BALENCIAGA-Maillon-Flap-Shoulder-Bag-201905/.html>>.*

BALENCIAGA Maillon Mini Trapeze Leather Cross-Body Bag posted by Modesens, posting date not given; [visited site on Apr. 4, 2016] Available from internet at: <URL: <http://modesens.com/product/BALENCIAGA-Maillon-Mini-Trapeze-Leather-Cross-Body-Bag-60577/.html>>.*

* cited by examiner

Primary Examiner — Karen S Acker

Assistant Examiner — Carmen Arellano-Lado

(74) *Attorney, Agent, or Firm* — Donald J. Ranft; Kristen A. Mogavero; Collen IP

(57) **CLAIM**

The ornamental design for a lock for a handbag and shoes, as shown and described.

DESCRIPTION

FIG. 1 is a top perspective view of a lock for a handbag and shoes showing my new design;

FIG. 2 is a bottom perspective view thereof;

FIG. 3 is a top view thereof;

FIG. 4 is a bottom view thereof;

FIG. 5 is a left side view thereof;

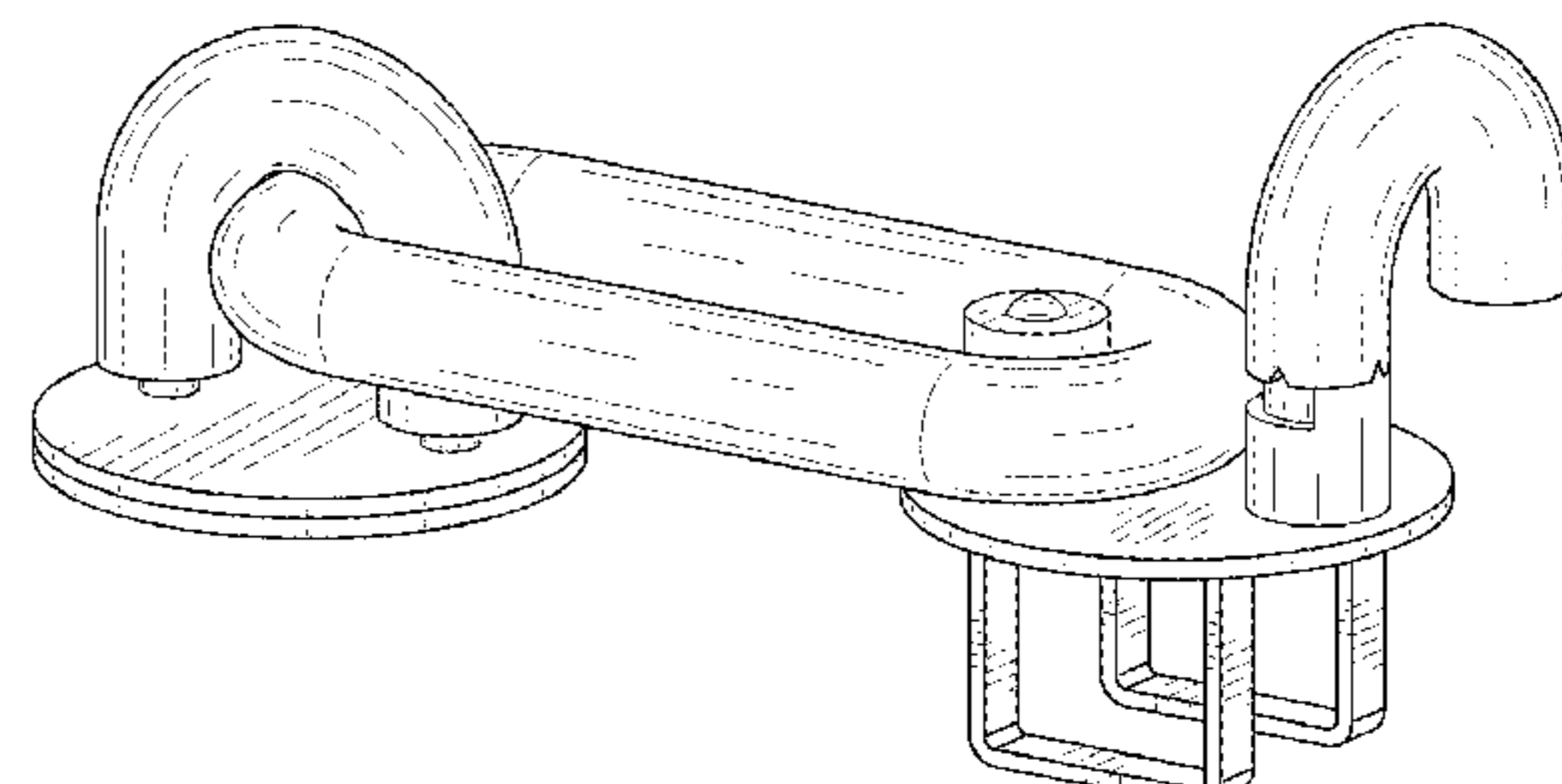
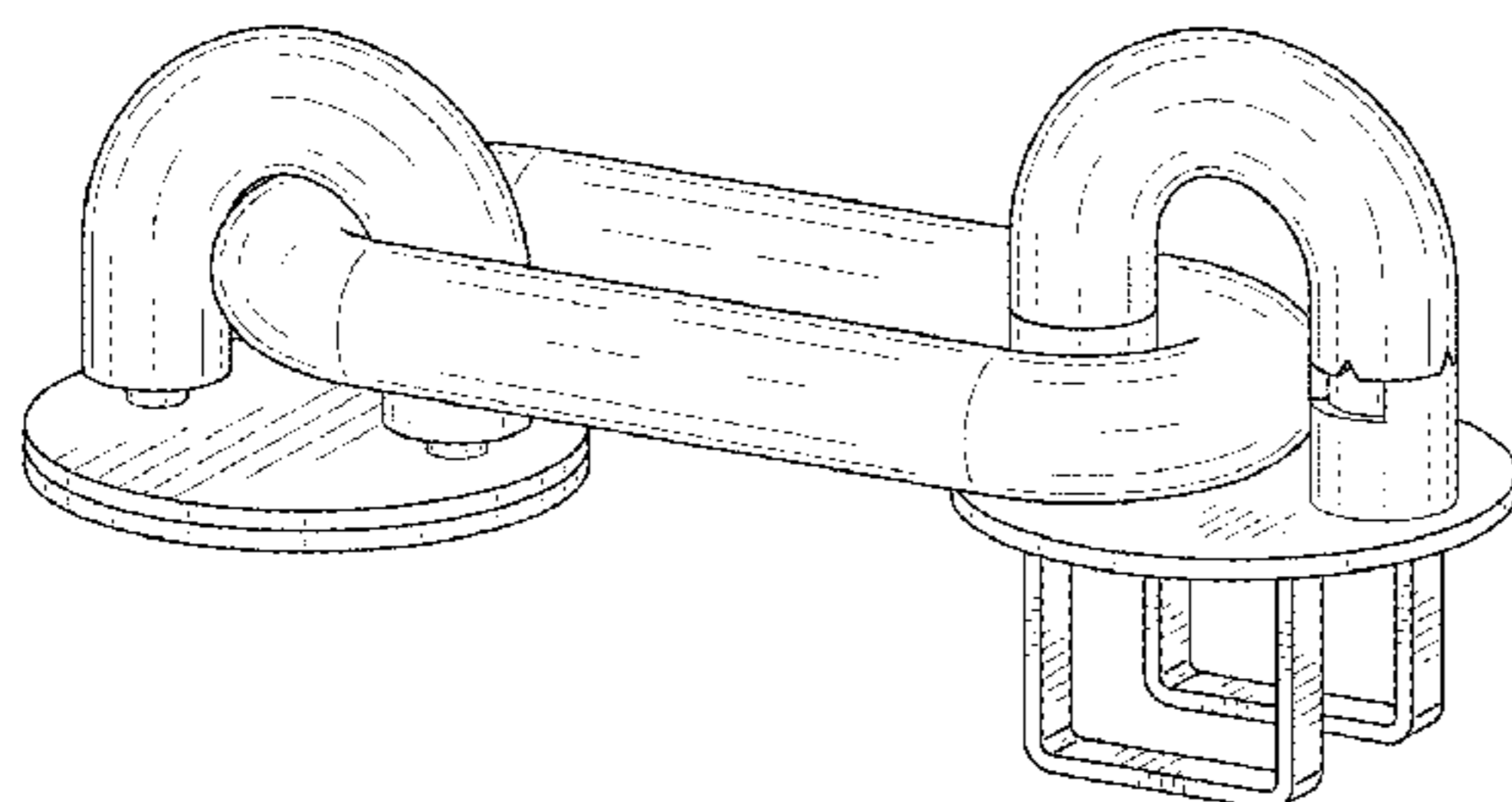
FIG. 6 is a right side view thereof;

FIG. 7 is a back view thereof; the front view being a mirror image thereof; and

FIG. 8 is a top right perspective view with clasp open thereof; and,

FIG. 9 is a top left perspective view with clasp open thereof.

1 Claim, 4 Drawing Sheets



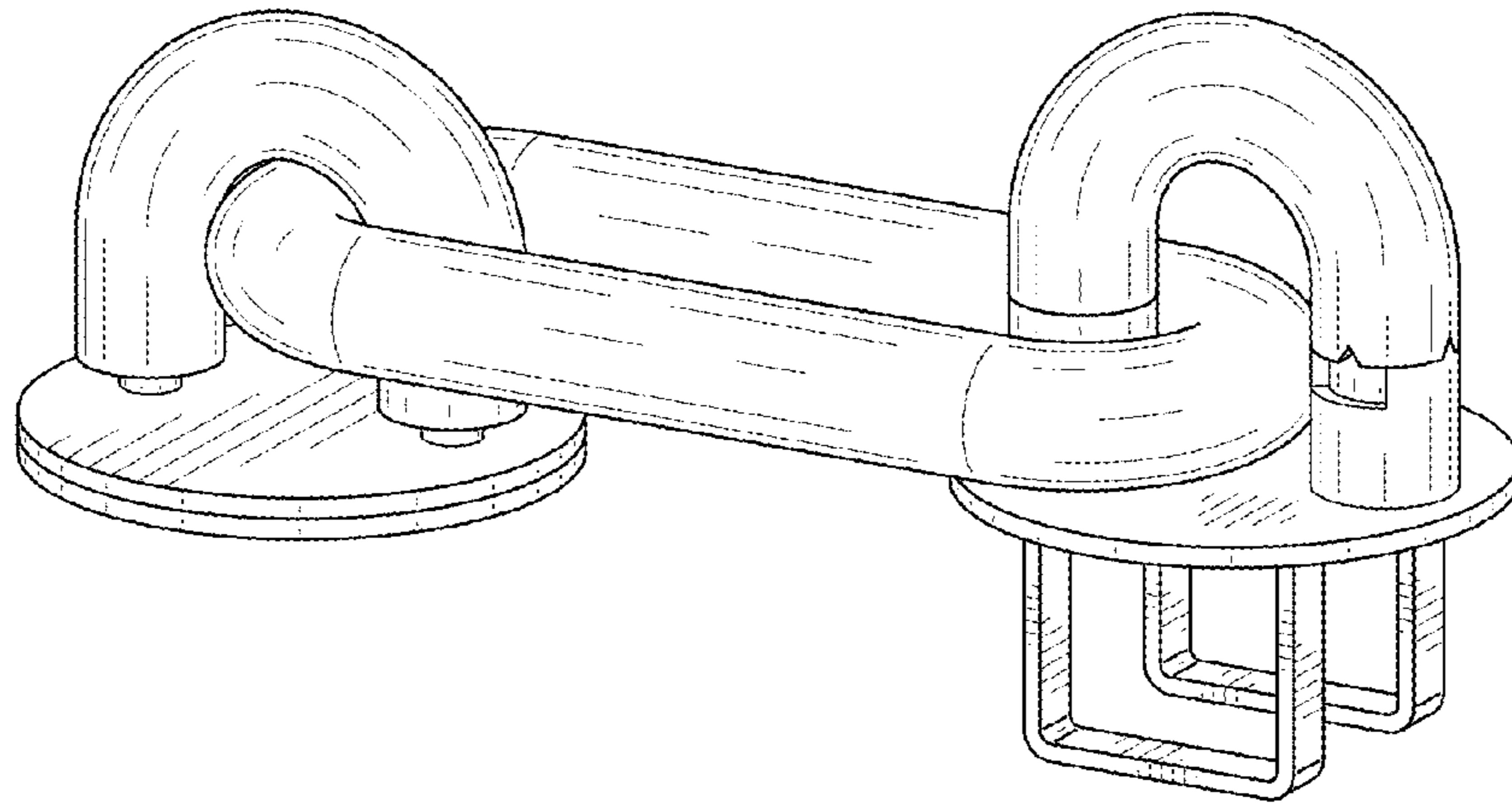


FIG. 1

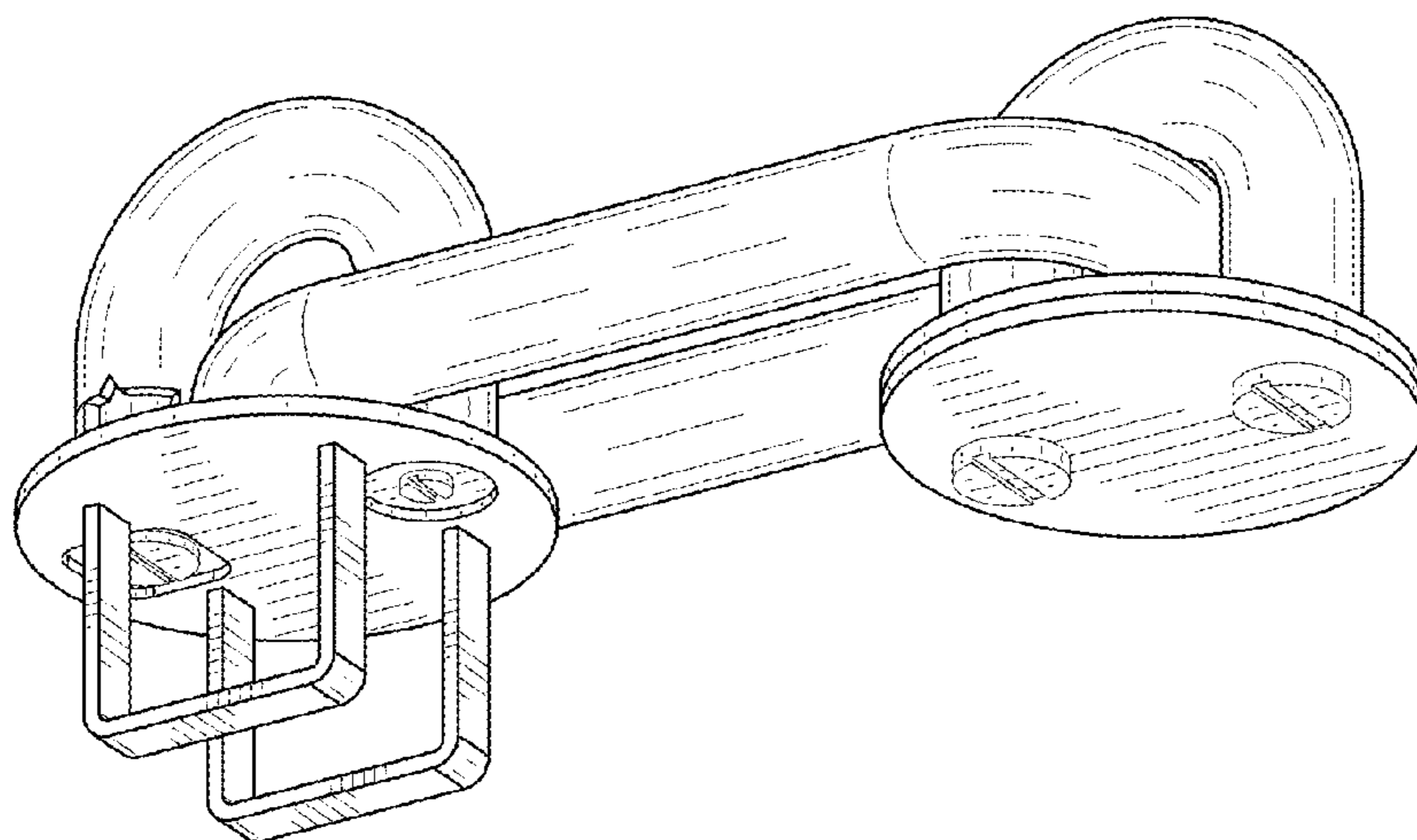


FIG. 2

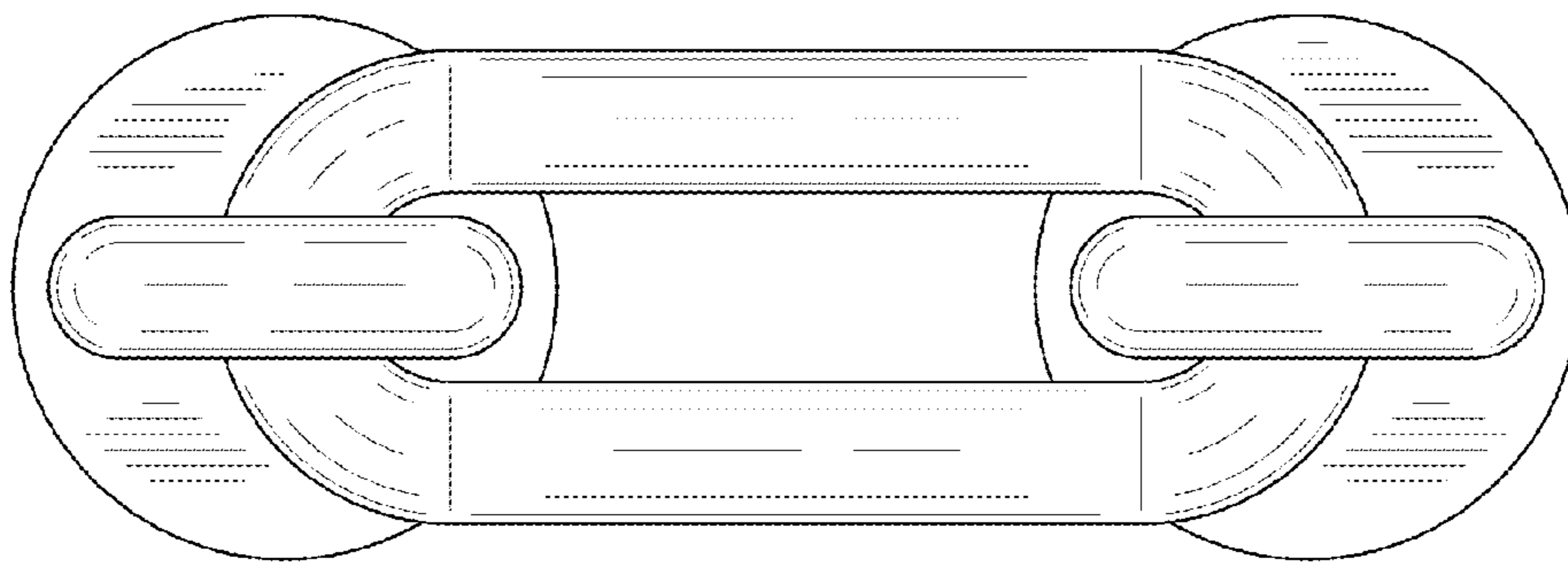


FIG. 3

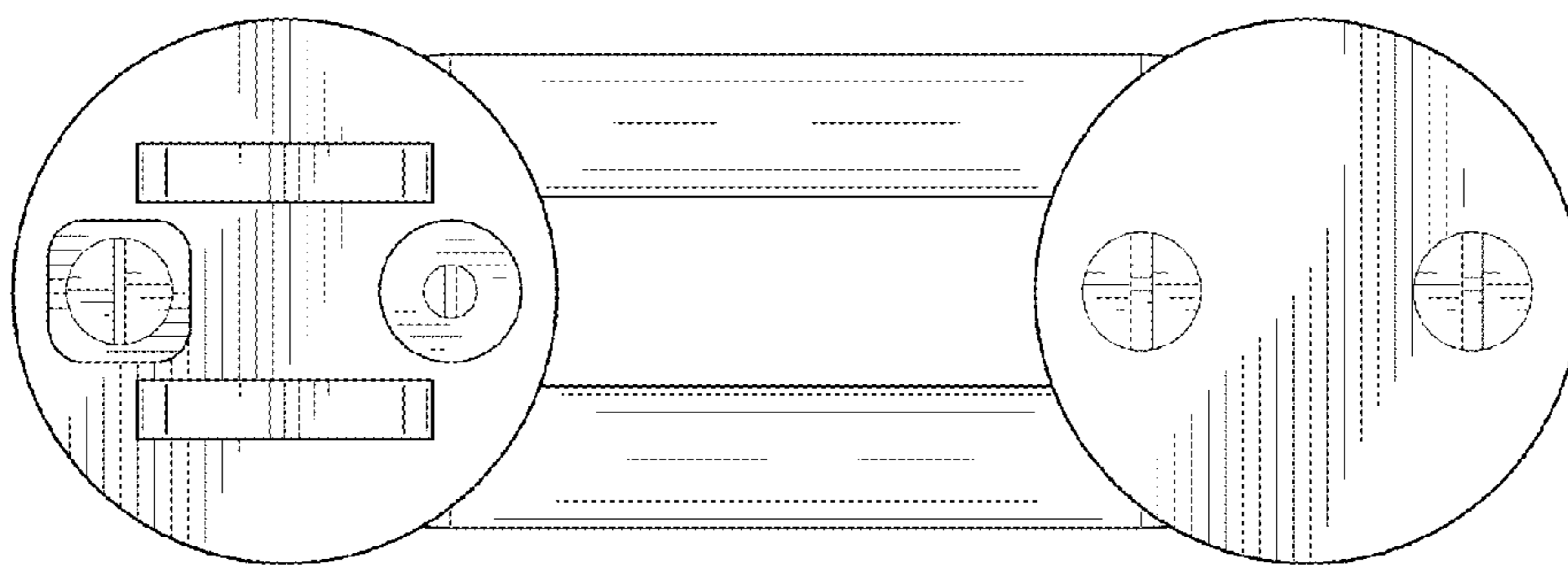


FIG. 4

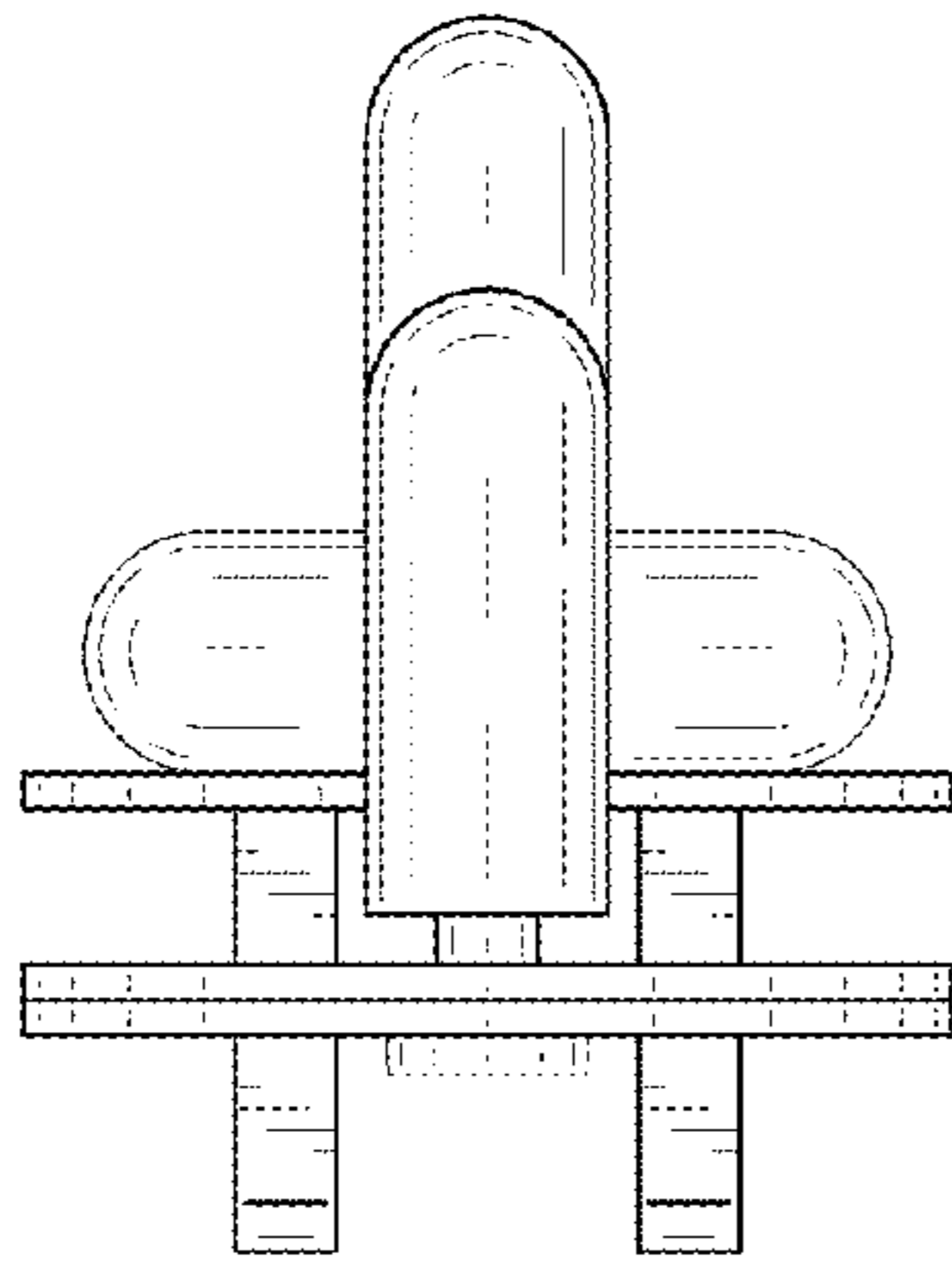


FIG. 5

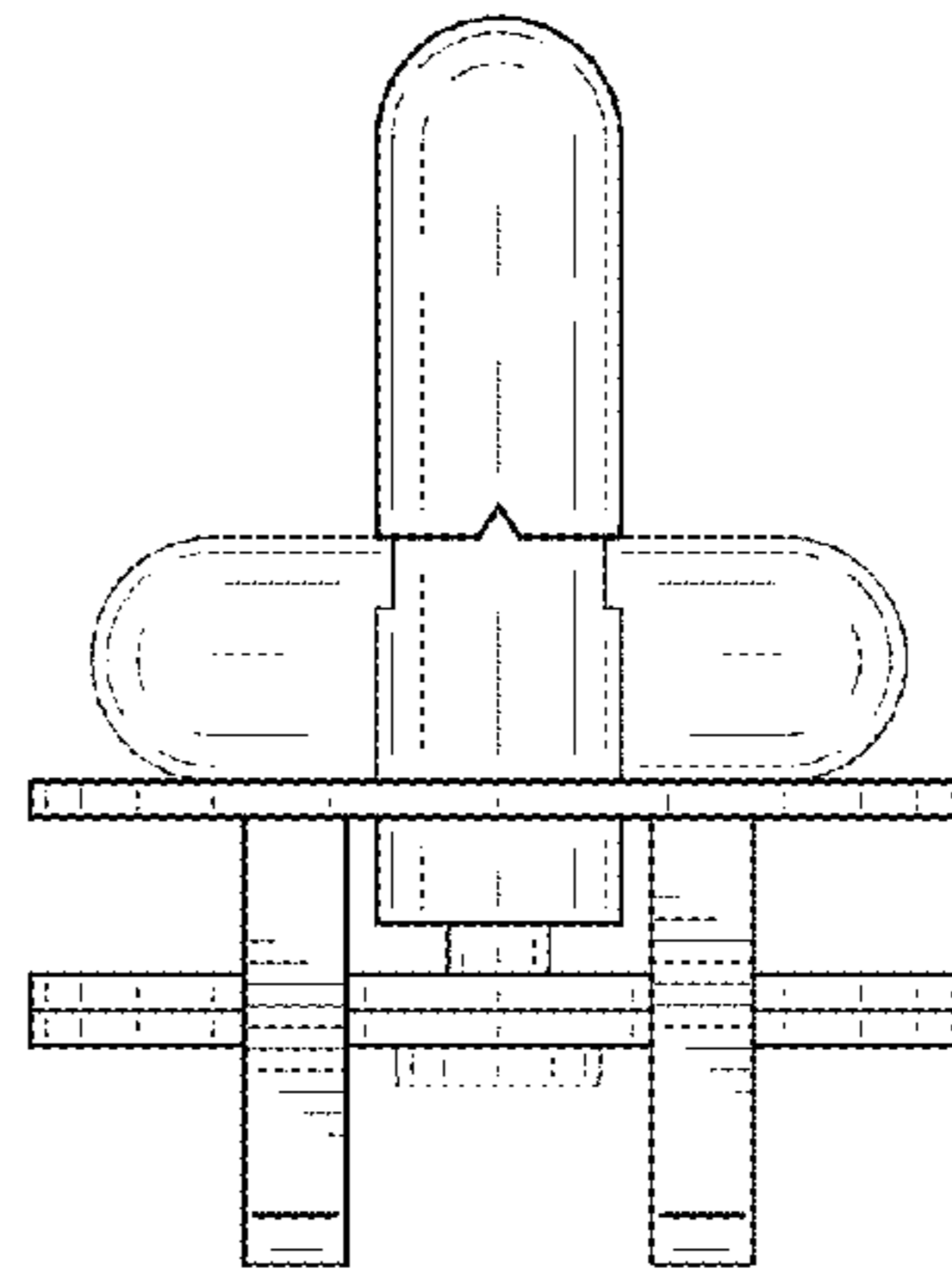


FIG. 6

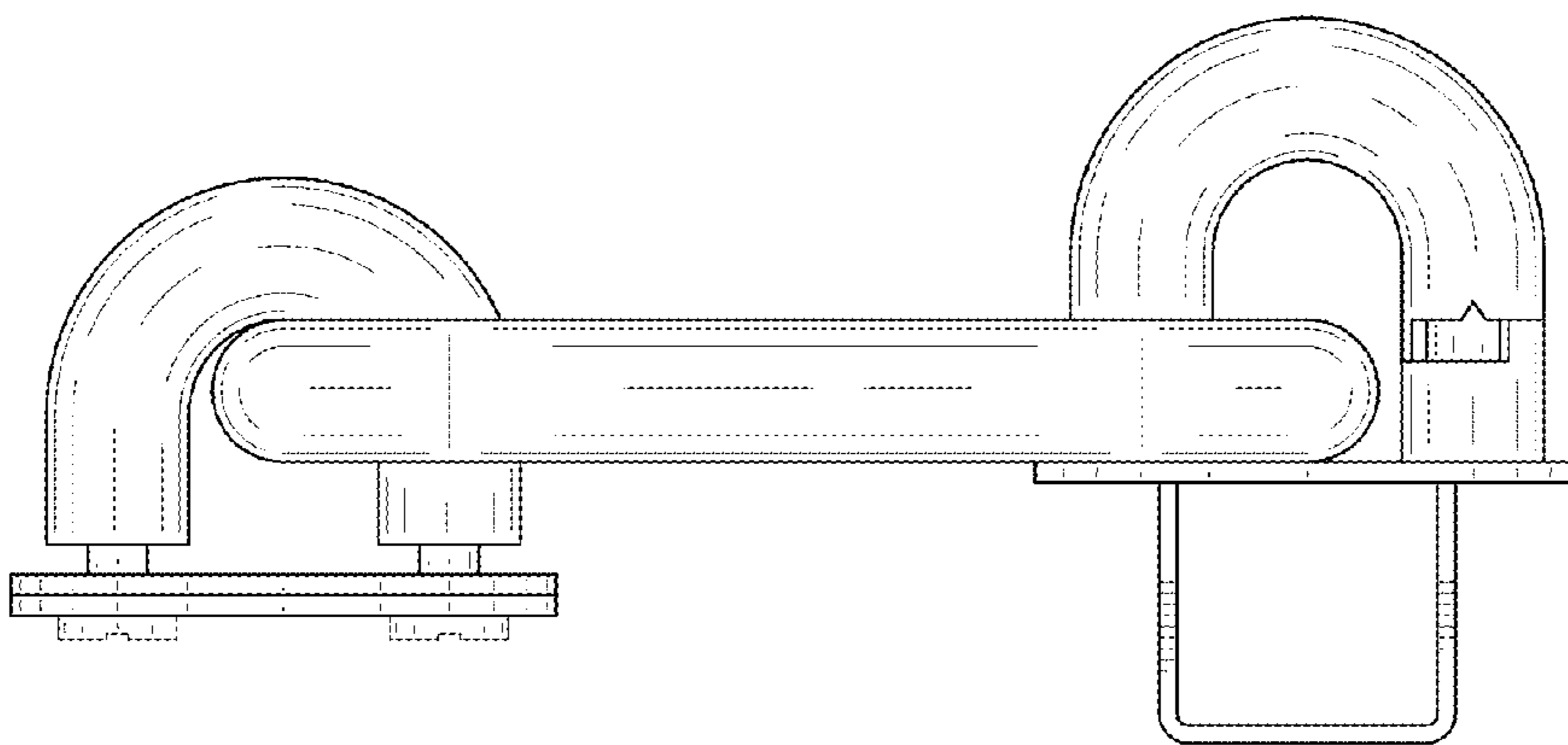


FIG. 7

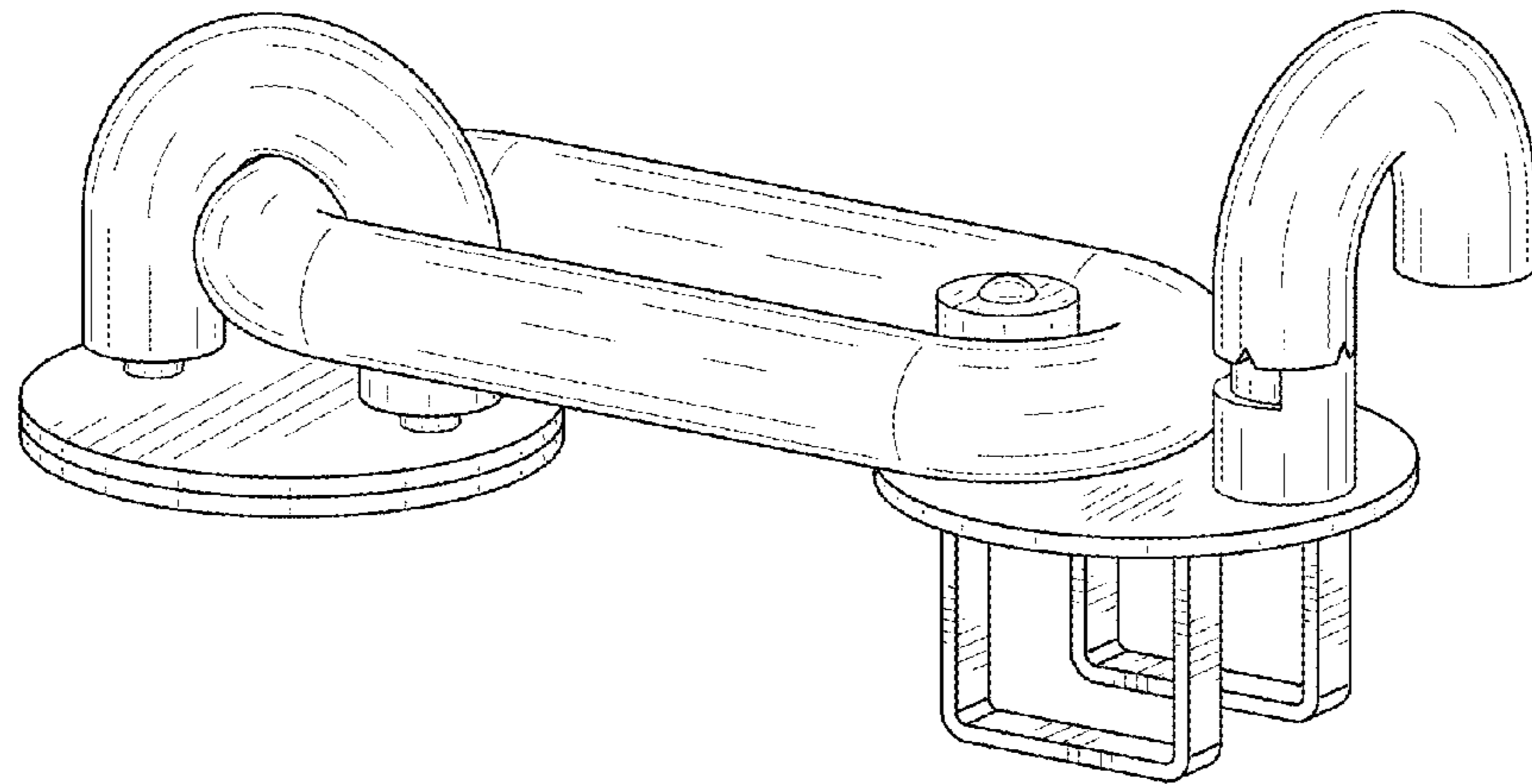


FIG. 8

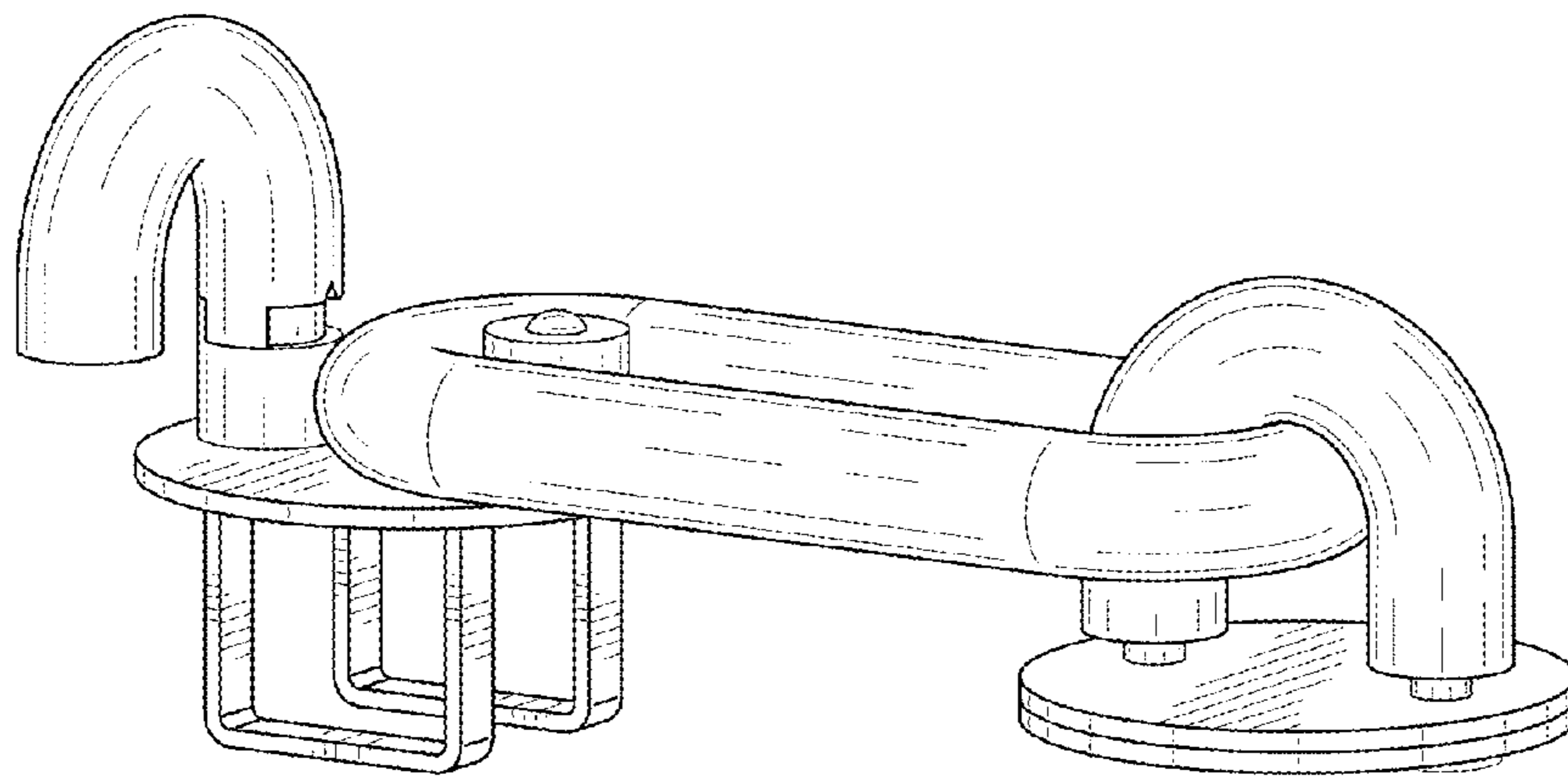


FIG. 9