

US00D761022S

(12) **United States Design Patent**
Wang

(10) **Patent No.:** **US D761,022 S**
(45) **Date of Patent:** **** Jul. 12, 2016**

- (54) **TOOL BOX**
- (71) Applicant: **Eupin Wang**, New Taipei (TW)
- (72) Inventor: **Eupin Wang**, New Taipei (TW)
- (**) Term: **15 Years**
- (21) Appl. No.: **29/529,264**
- (22) Filed: **Jun. 5, 2015**
- (51) **LOC (10) Cl.** **03-01**
- (52) **U.S. Cl.**
USPC **D3/293**; D3/294; D3/905
- (58) **Field of Classification Search**
USPC D3/265, 266, 903, 273, 282, 283, 284,
D3/293, 294, 295, 302, 300, 901, 905;
D28/73, 61; D7/701, 703, 590, 615,
D7/629; D9/430, 418, 414, 428
CPC B65D 85/00; A45C 11/00; A45C 11/12;
A45C 11/04; B23B 31/1238; B23B 31/00
See application file for complete search history.

D693,576 S *	11/2013	Chen	D3/282
D693,579 S *	11/2013	Weremchuk	D3/294
D701,387 S *	3/2014	Tangen	D3/273
D708,850 S *	7/2014	Morine	D3/294
D732,822 S *	6/2015	Griffin	D3/273
D733,430 S *	7/2015	Qi	D3/295
D749,845 S *	2/2016	Tonelli	D3/276
2010/0108552 A1 *	5/2010	Scrimshaw	B23B 31/1238 206/379

OTHER PUBLICATIONS

Rose Plastics Packaging, "rose plastic Product World", Accessed Mar. 16, 2016. Select items from catalog attached. (<http://www.rose-plastic.us/1569.0.html>).*

* cited by examiner

Primary Examiner — Jennifer Rivard
Assistant Examiner — April Rivas
(74) *Attorney, Agent, or Firm* — Joseph Bruce

(57) **CLAIM**

The ornamental design for a tool box, as shown and described.

(56) **References Cited**

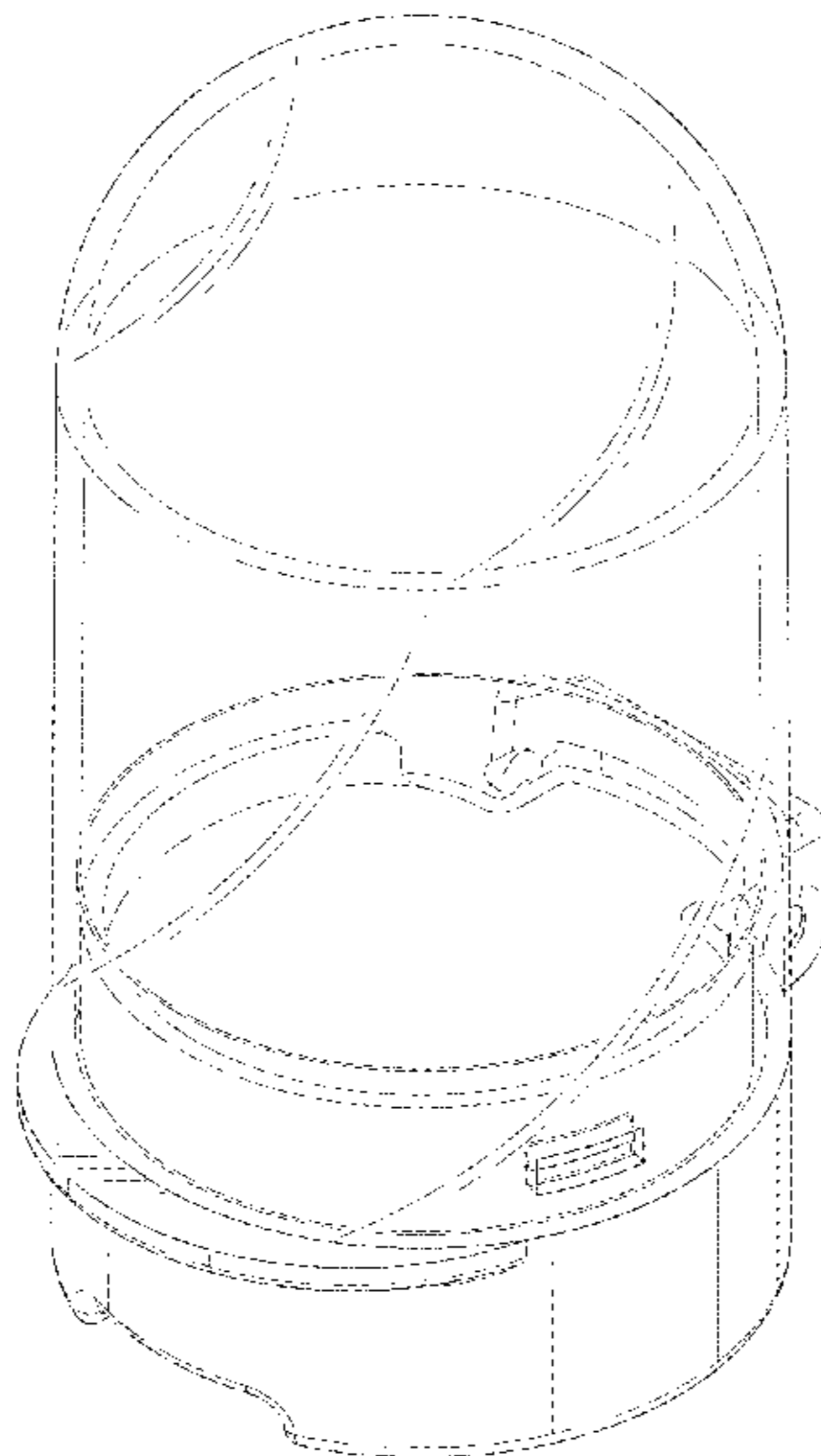
U.S. PATENT DOCUMENTS

3,696,914 A *	10/1972	McPhail	B65D 85/00 206/303
D288,985 S *	3/1987	Ali	D3/300
D309,075 S *	7/1990	Rossari	D7/590
D378,057 S *	2/1997	Dikowitz	D9/418
D393,421 S *	4/1998	Kovens	D9/428
D419,298 S *	1/2000	Bramsiepe	D3/273
D430,396 S *	9/2000	Biesecker	D3/215
D430,728 S *	9/2000	Horvath	D28/61
D452,373 S *	12/2001	Horntrich	D3/294
6,648,132 B1 *	11/2003	Smouha	A45C 11/12 206/301
D497,718 S *	11/2004	Taccolini	D3/273
D558,978 S *	1/2008	Roesler	D3/282
D577,911 S *	10/2008	Liebers	D3/263
D668,876 S *	10/2012	Tice	D3/302

DESCRIPTION

FIG. 1 is a perspective view of a tool box showing my new design;
FIG. 2 is a front view thereof;
FIG. 3 is a rear view thereof;
FIG. 4 is a left side view thereof, a right side view being a mirror image thereof;
FIG. 5 is a top plan view thereof;
FIG. 6 is a bottom plan view thereof;
FIG. 7 is another perspective view from the bottom thereof;
and,
FIG. 8 is a perspective view thereof shown in use.
The broken lines shown in the drawings illustrate environment and form no part of the claimed design

1 Claim, 8 Drawing Sheets



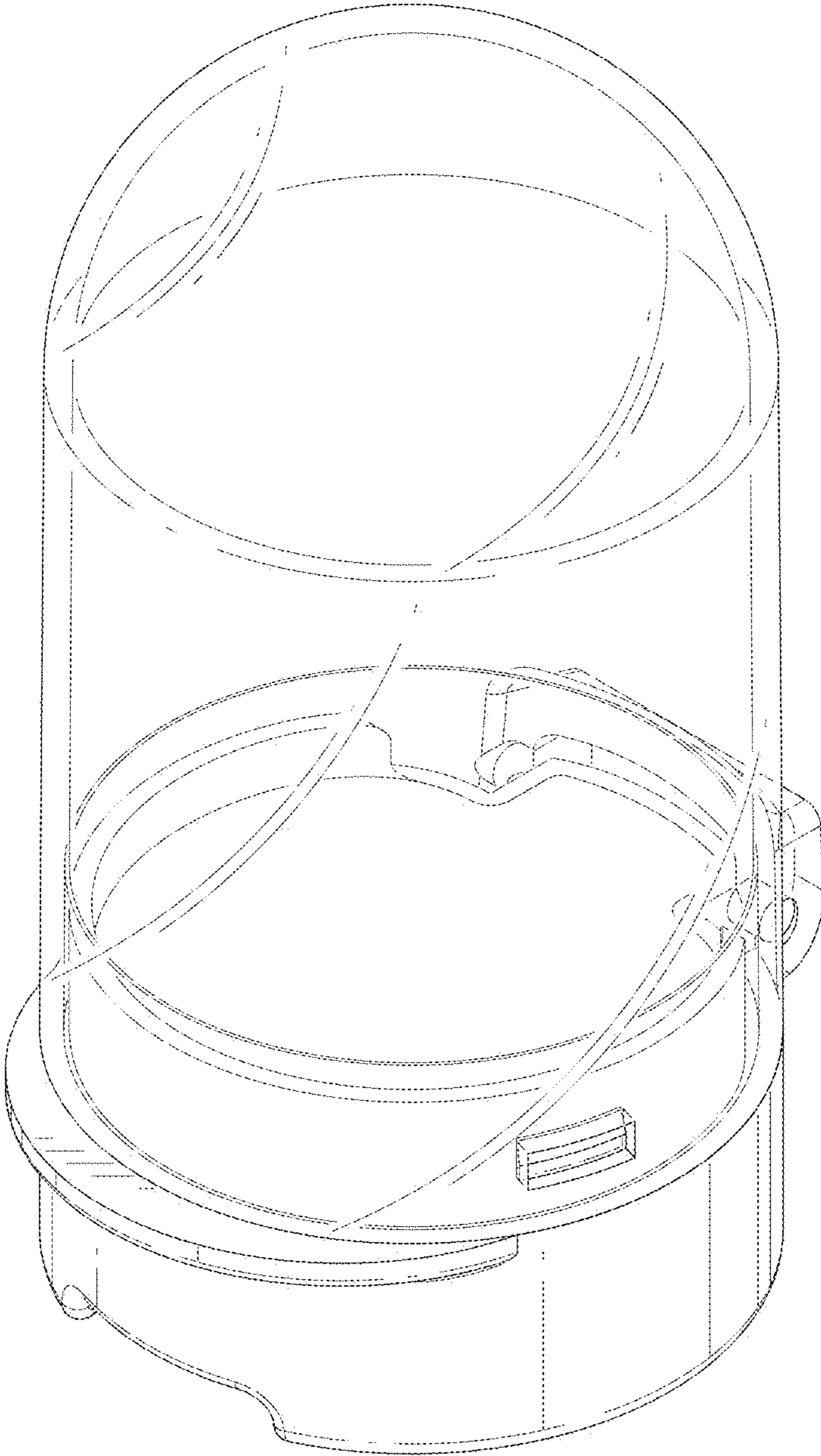


FIG. 1

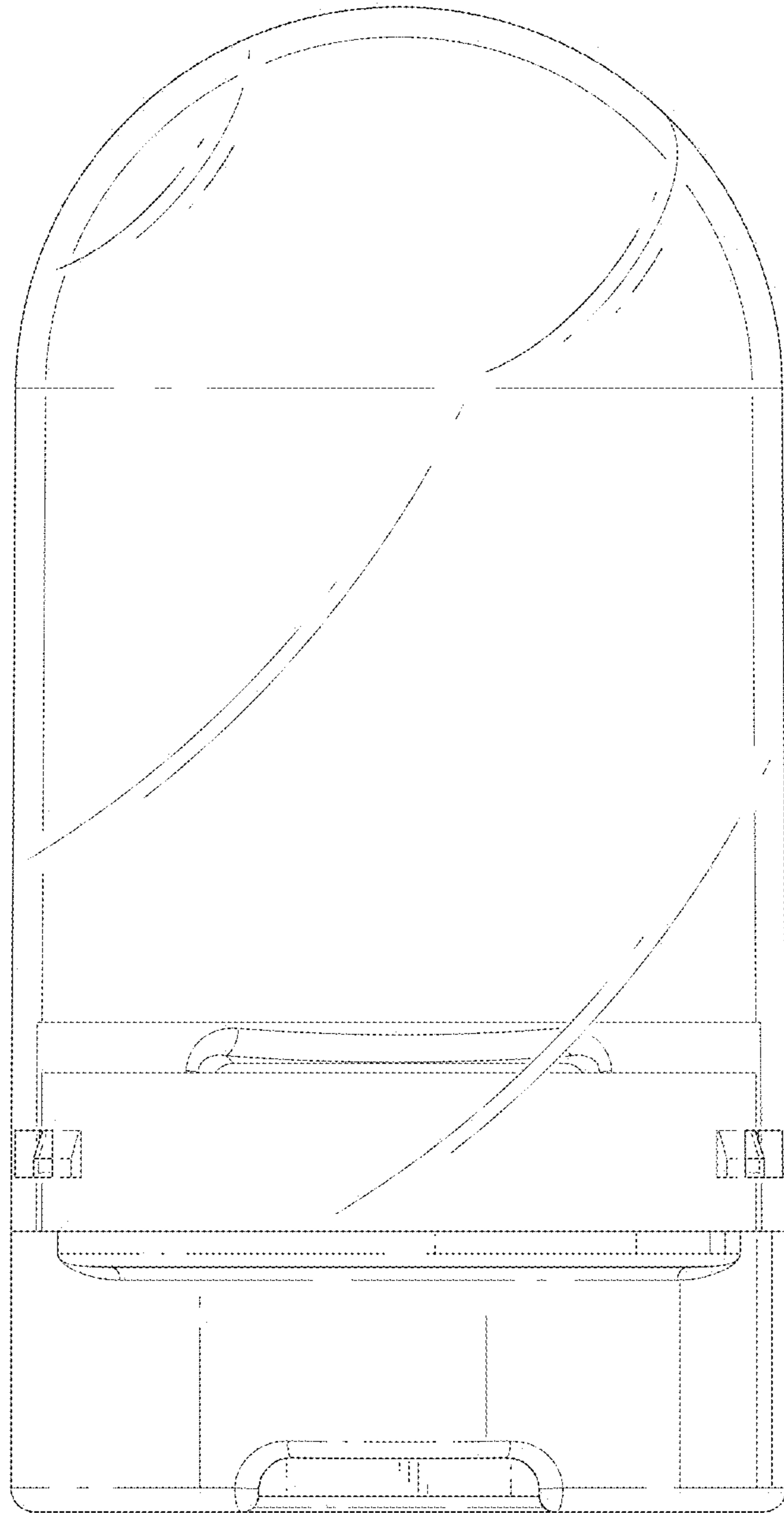


FIG.2

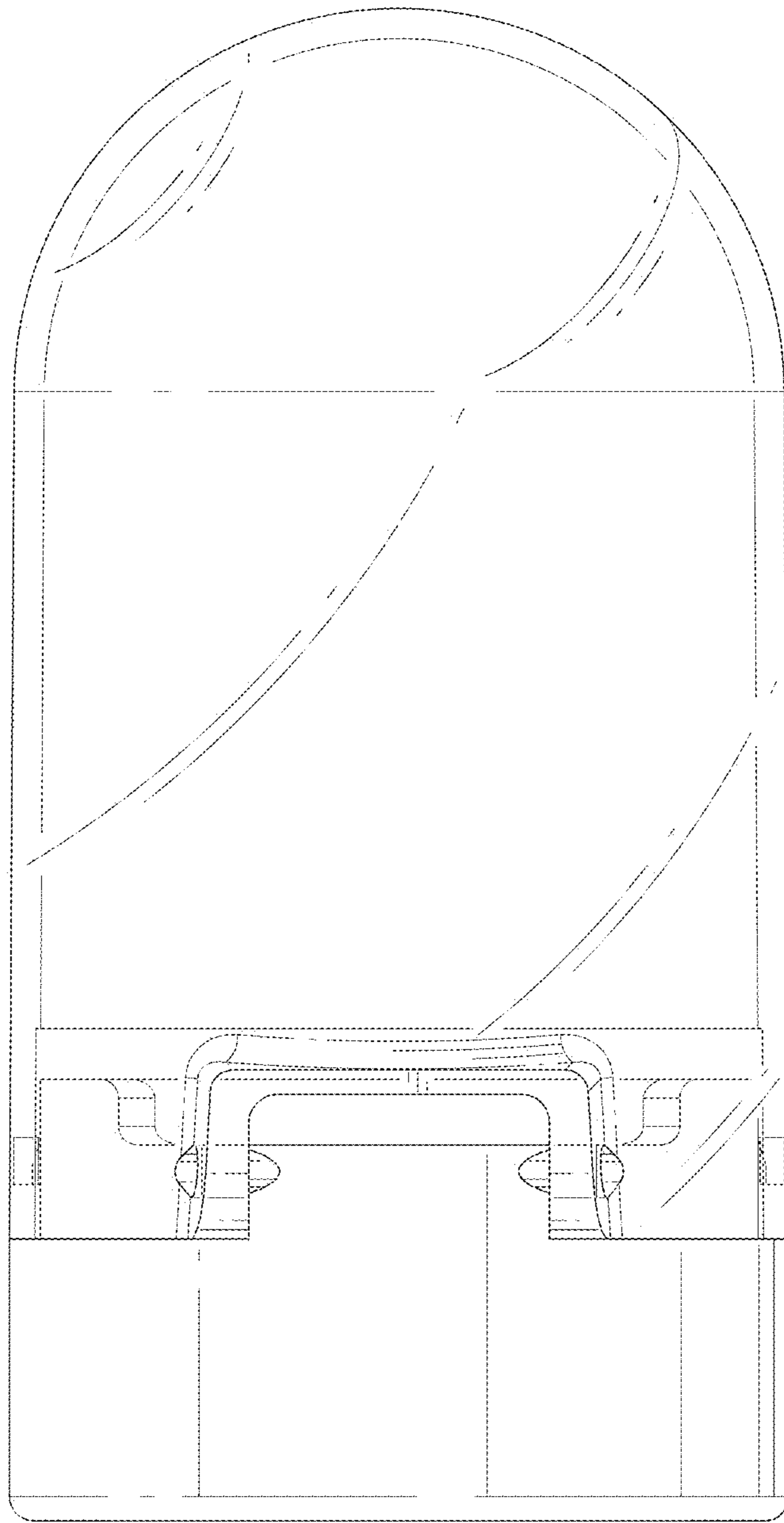


FIG.3

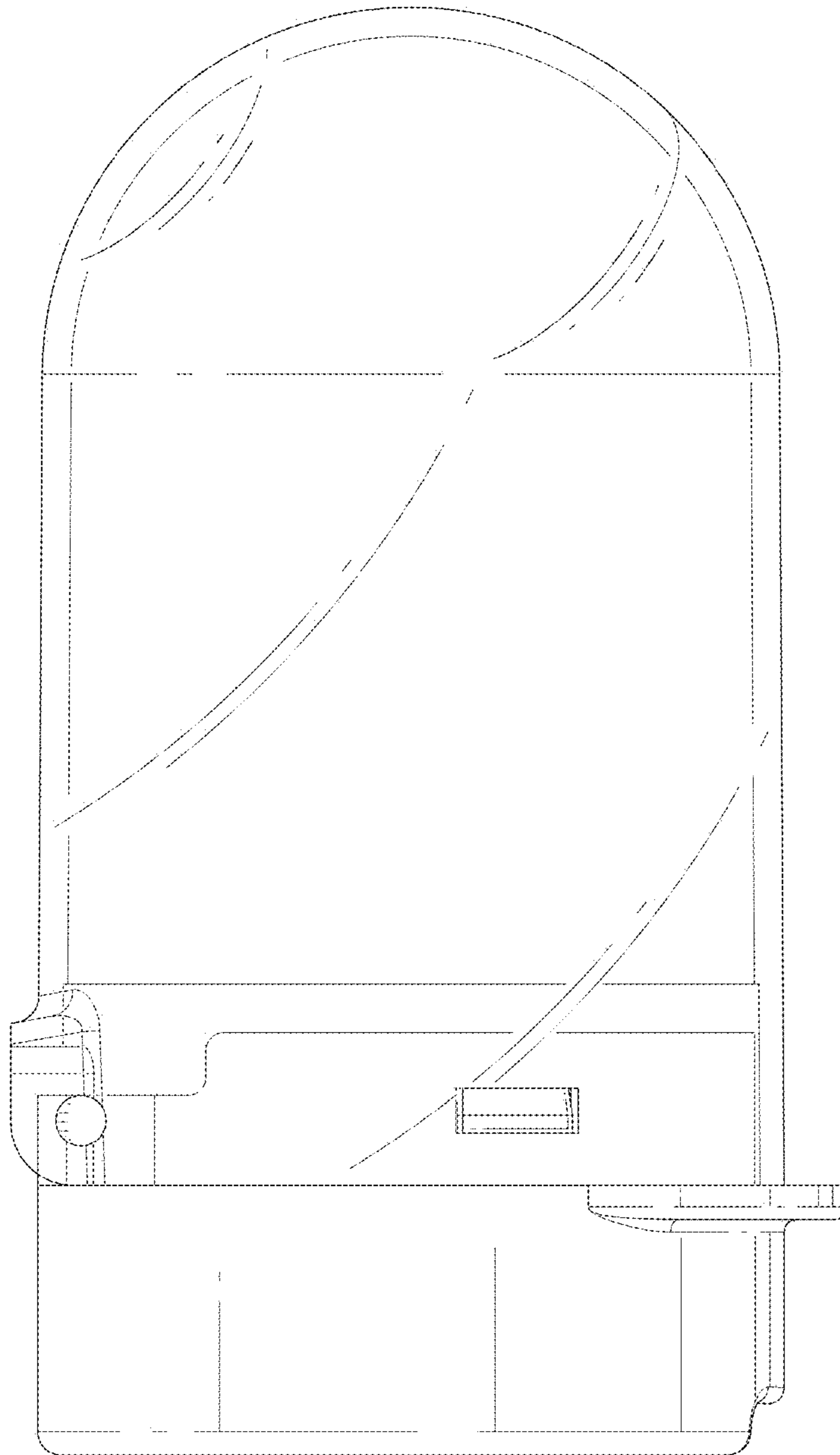


FIG.4

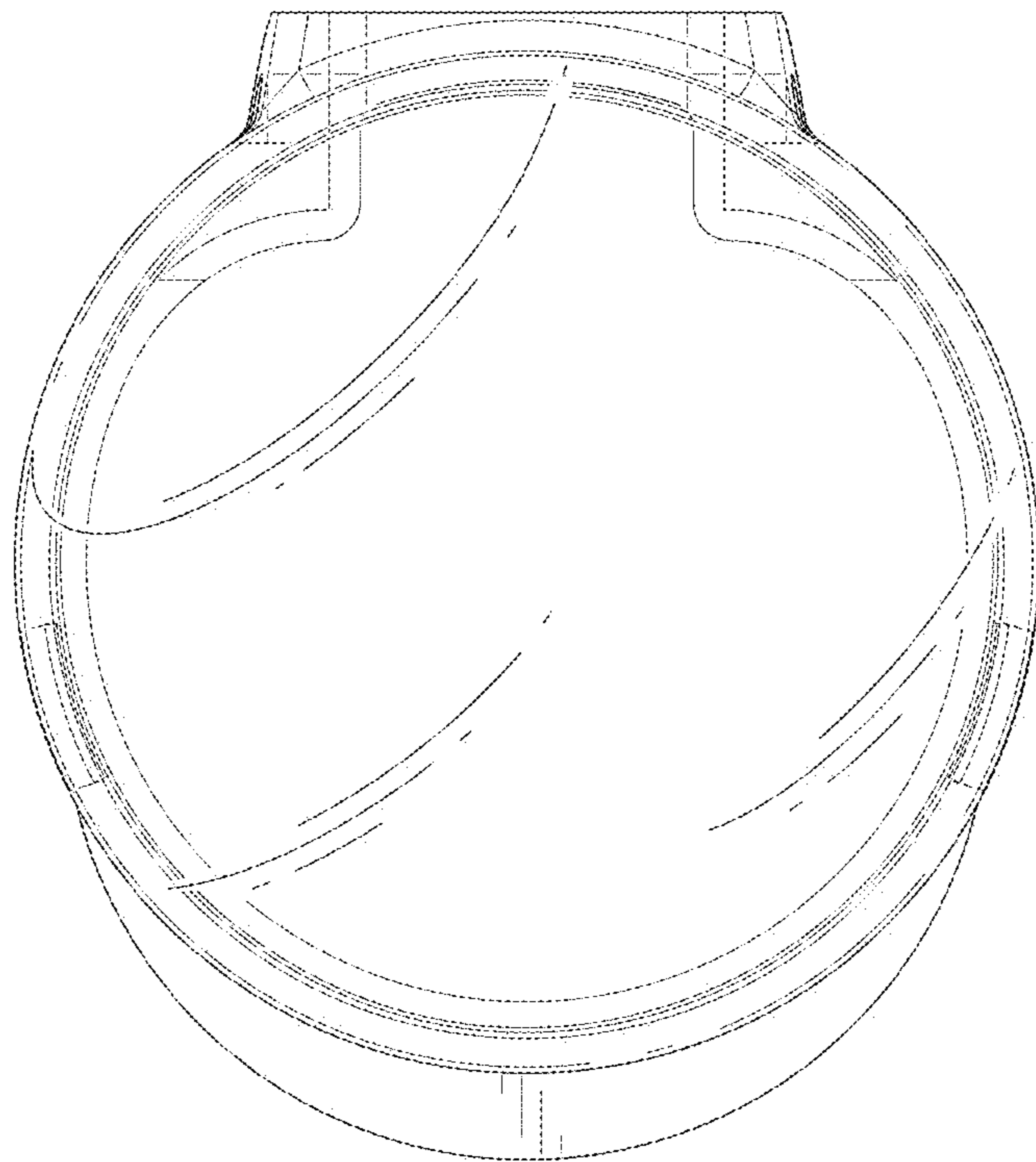


FIG.5

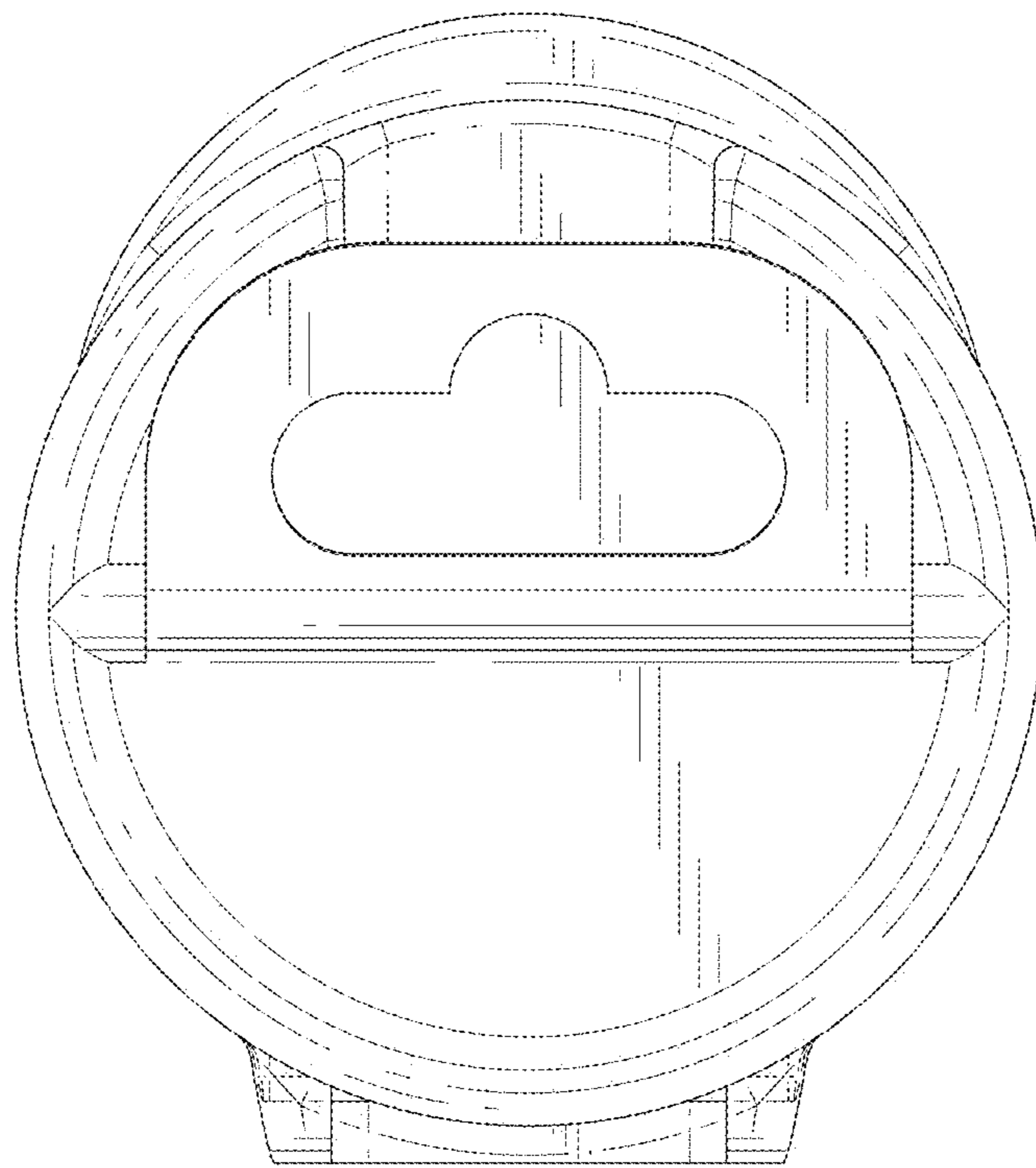


FIG.6

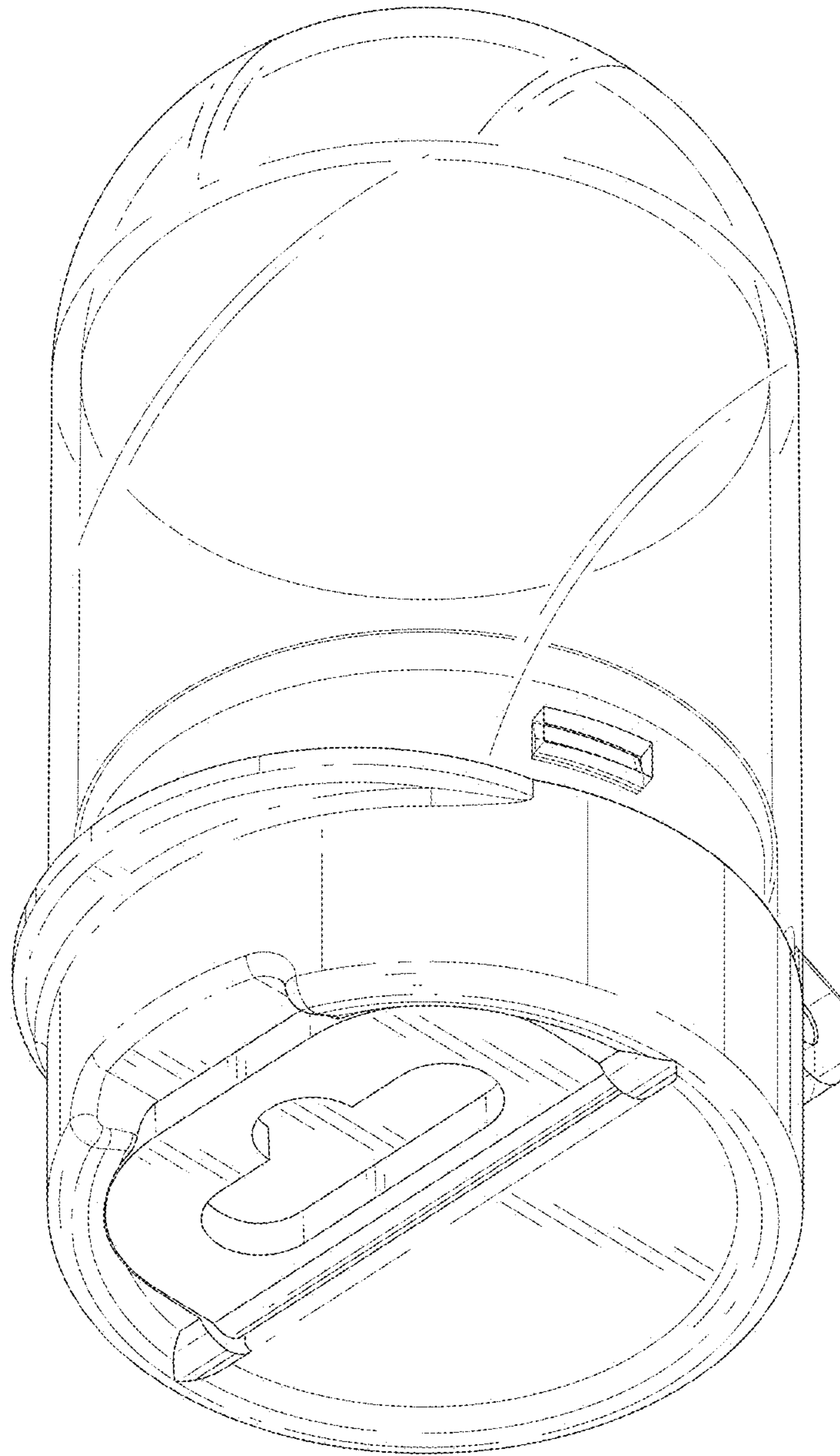


FIG.7

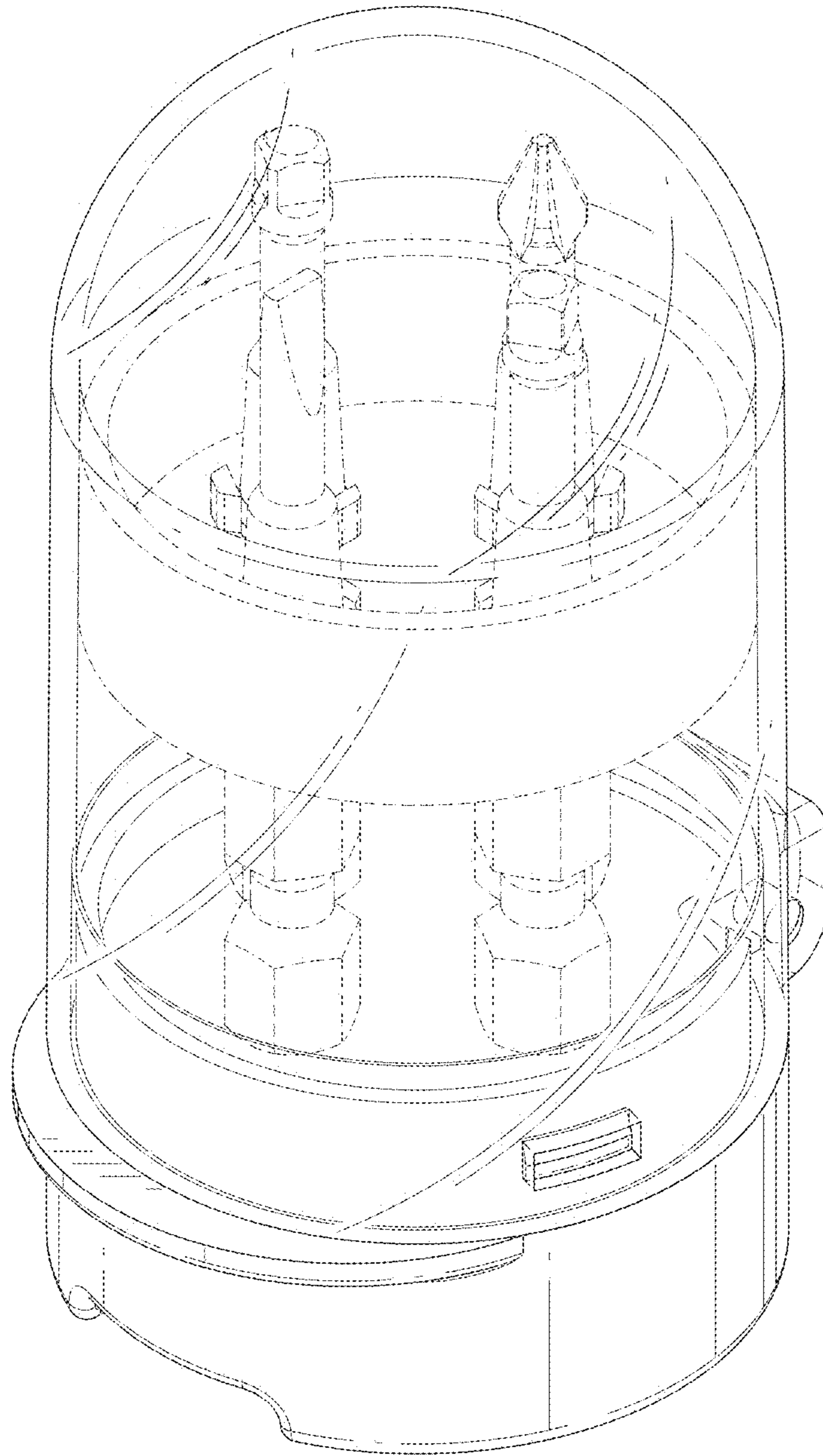


FIG. 8