



US00D761018S

(12) **United States Design Patent**
Gamble

(10) **Patent No.:** **US D761,018 S**

(45) **Date of Patent:** **** Jul. 12, 2016**

(54) **HANDBAG**

(71) Applicant: **Paige Gamble**, New York, NY (US)

(72) Inventor: **Paige Gamble**, New York, NY (US)

(**) Term: **14 Years**

(21) Appl. No.: **29/513,424**

(22) Filed: **Dec. 30, 2014**

(51) **LOC (10) Cl.** **03-01**

(52) **U.S. Cl.**
USPC **D3/245**

(58) **Field of Classification Search**
USPC D3/232–233, 240–243, 245–246
CPC A45C 1/024; A45C 3/08
See application file for complete search history.

(56) **References Cited**

U.S. PATENT DOCUMENTS

D630,433 S *	1/2011	Targett	D3/232
D686,412 S *	7/2013	Guichot	D3/232
D710,092 S *	8/2014	Boutet	D3/232
D711,096 S *	8/2014	Hanna	D3/232

* cited by examiner

Primary Examiner — Holly Baynham

(74) *Attorney, Agent, or Firm* — Davis Wright Tremaine LLP

(57) **CLAIM**

The ornamental design for a handbag, as shown and described.

DESCRIPTION

FIG. 1 is an isometric view of a handbag showing my new design;
 FIG. 2 is a front side elevation view thereof;
 FIG. 3 is rear side elevation view thereof;
 FIG. 4 is a left side elevation view thereof;
 FIG. 5 is a right side elevation view thereof;
 FIG. 6 is a top plan view thereof;
 FIG. 7 is a bottom plan view thereof;
 FIG. 8 is an isometric view of a second embodiment of the handbag showing my new design;
 FIG. 9 is a front side elevation view thereof;
 FIG. 10 is rear side elevation view thereof;
 FIG. 11 is a left side elevation view thereof;
 FIG. 12 is a right side elevation view thereof;
 FIG. 13 is a top plan view thereof; and,
 FIG. 14 is a bottom plan view thereof.
 The broken lines showing stitching are for the purposes of illustrating environment and form no part of the claimed design.

1 Claim, 6 Drawing Sheets

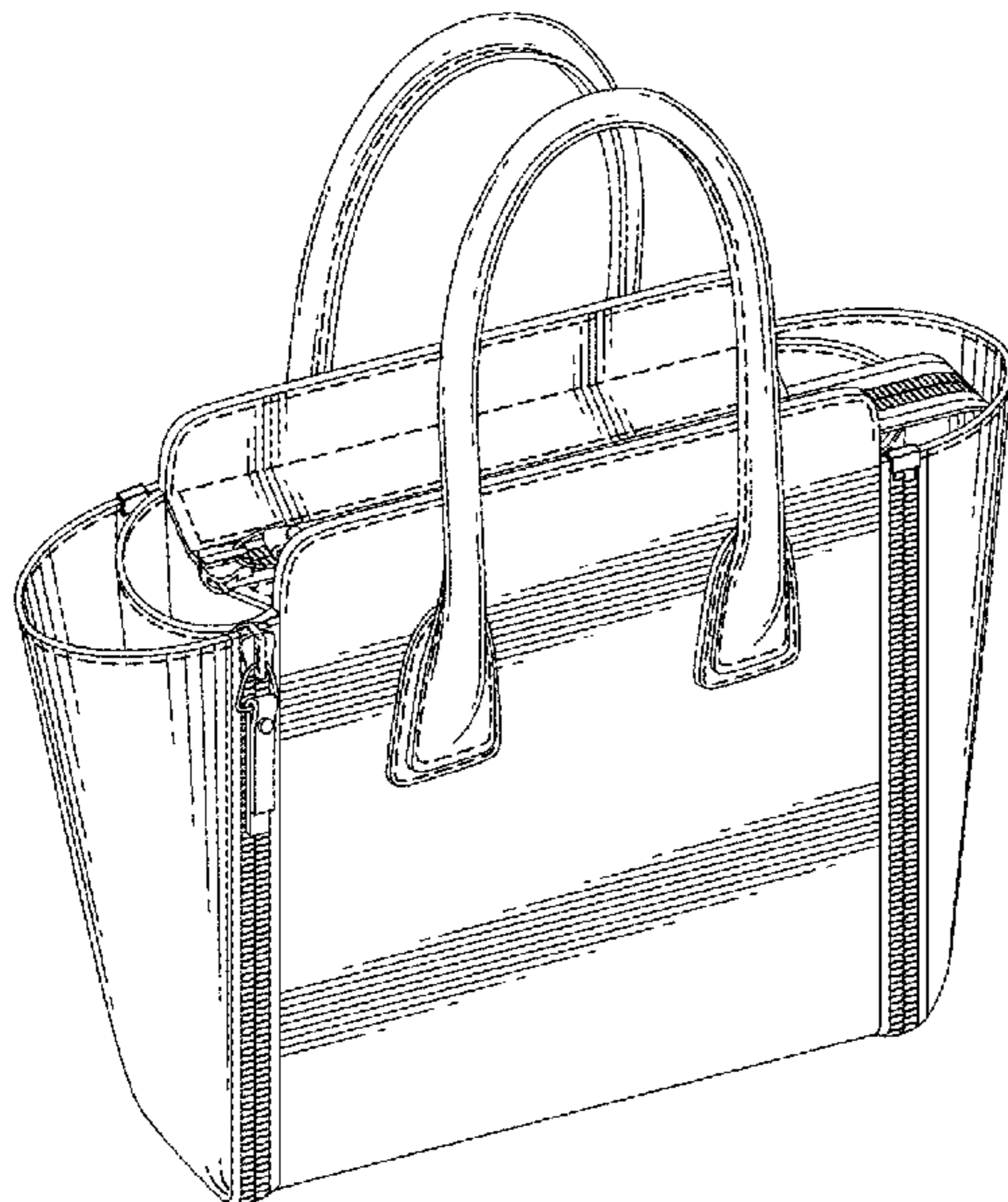


FIG. 1

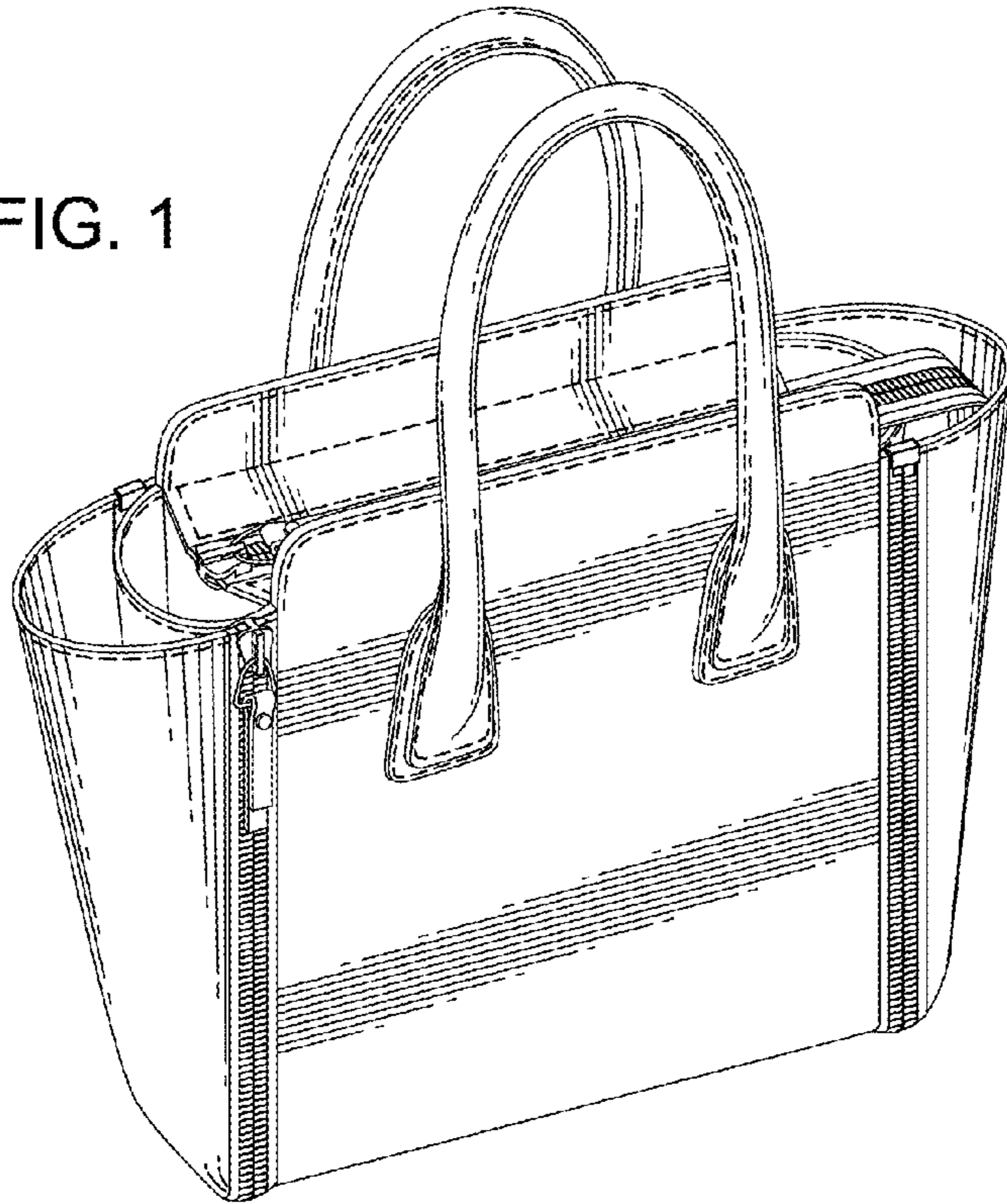


FIG. 2

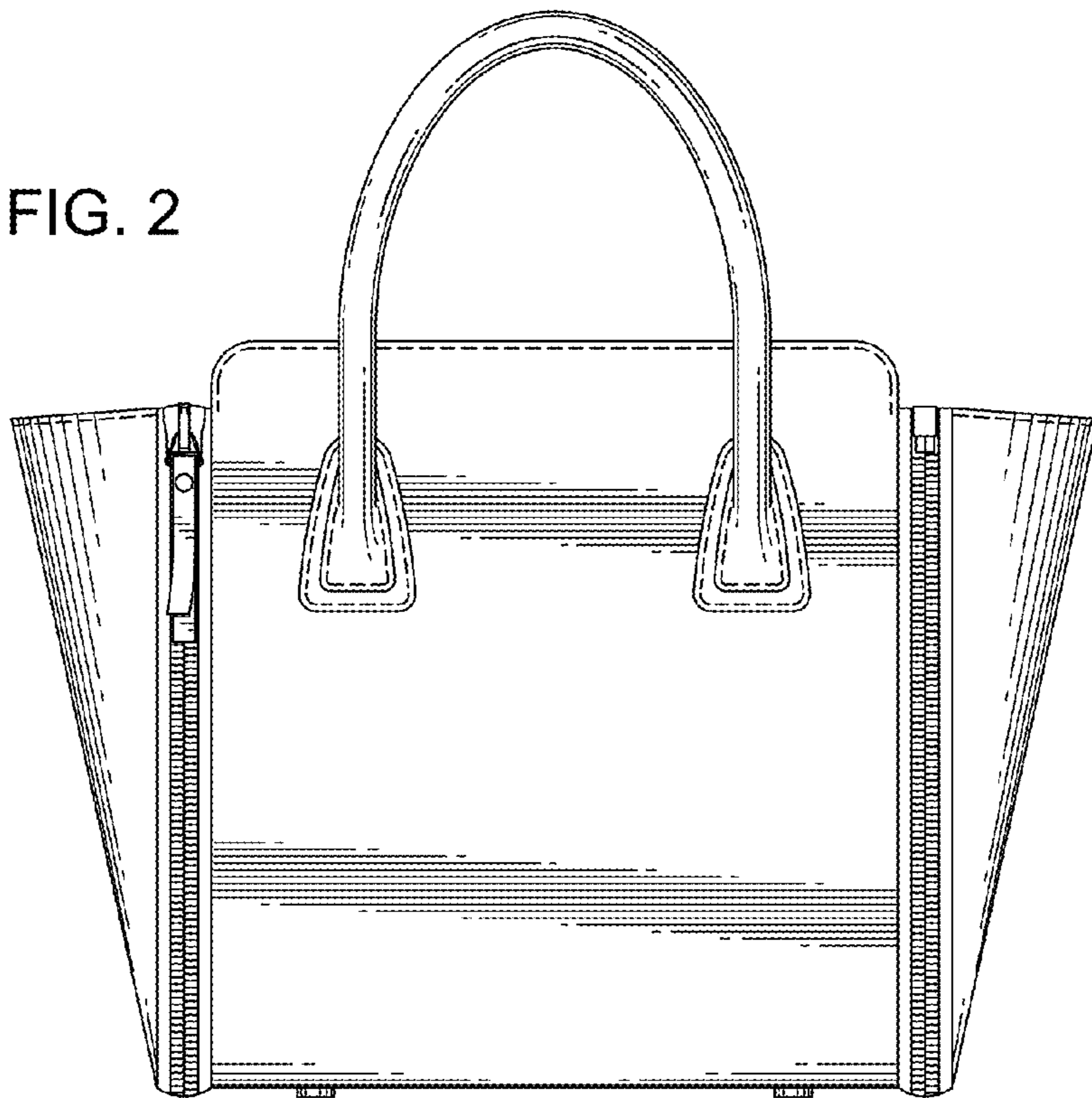


FIG. 3

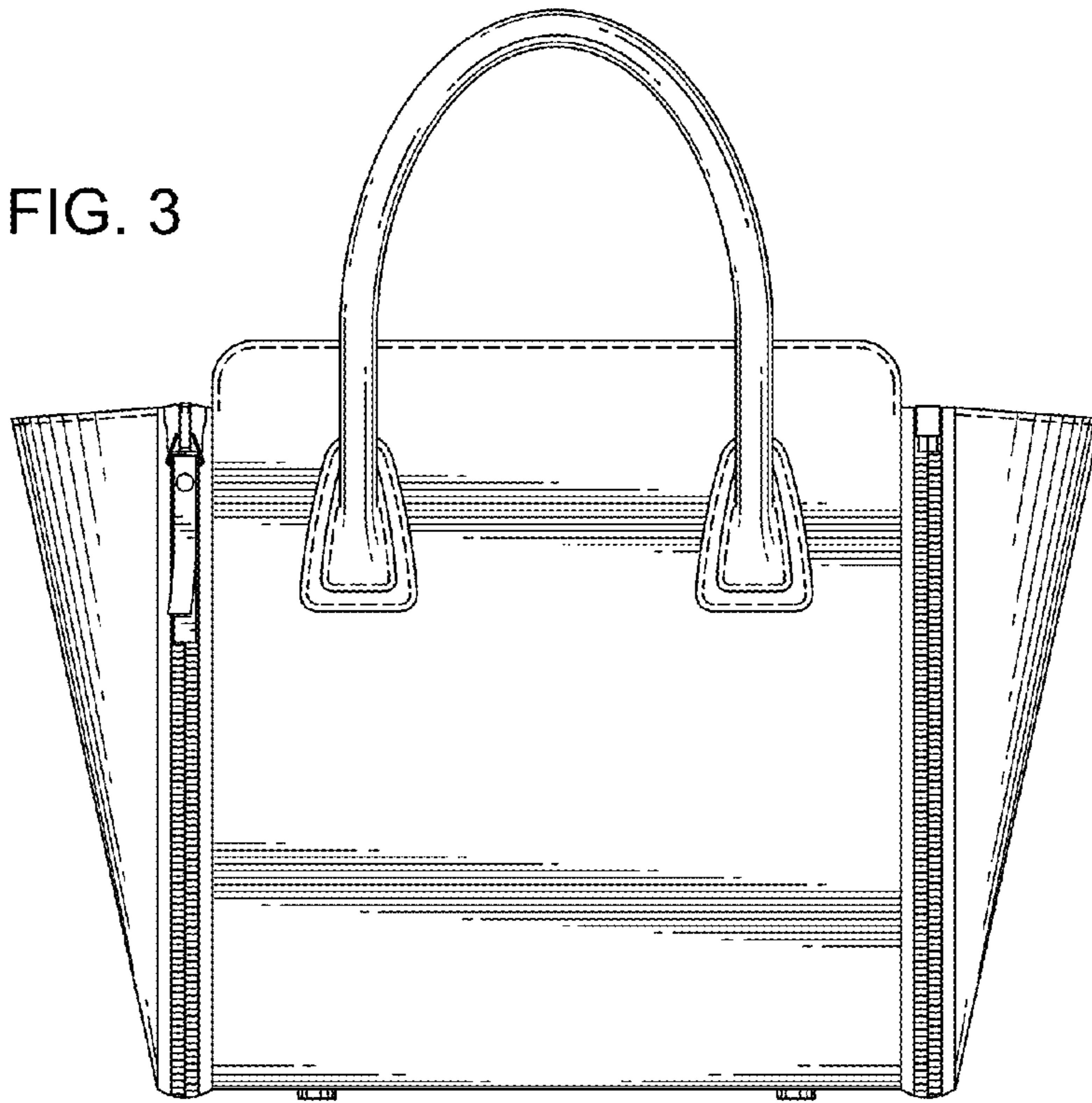


FIG. 4

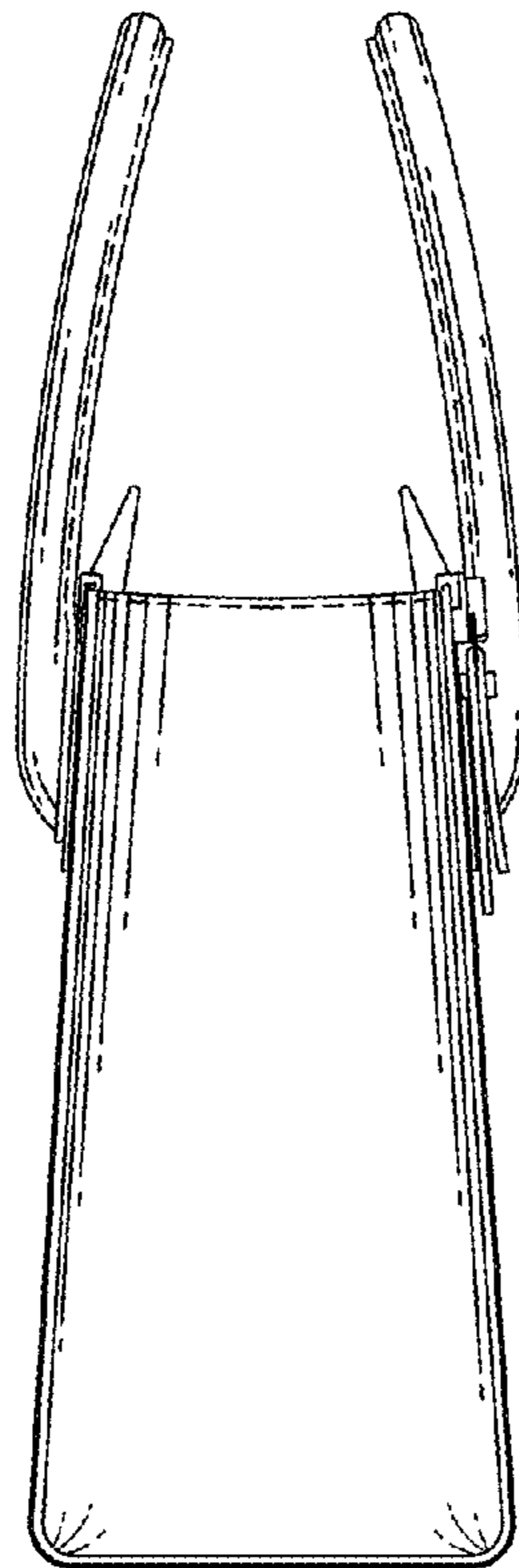


FIG. 5

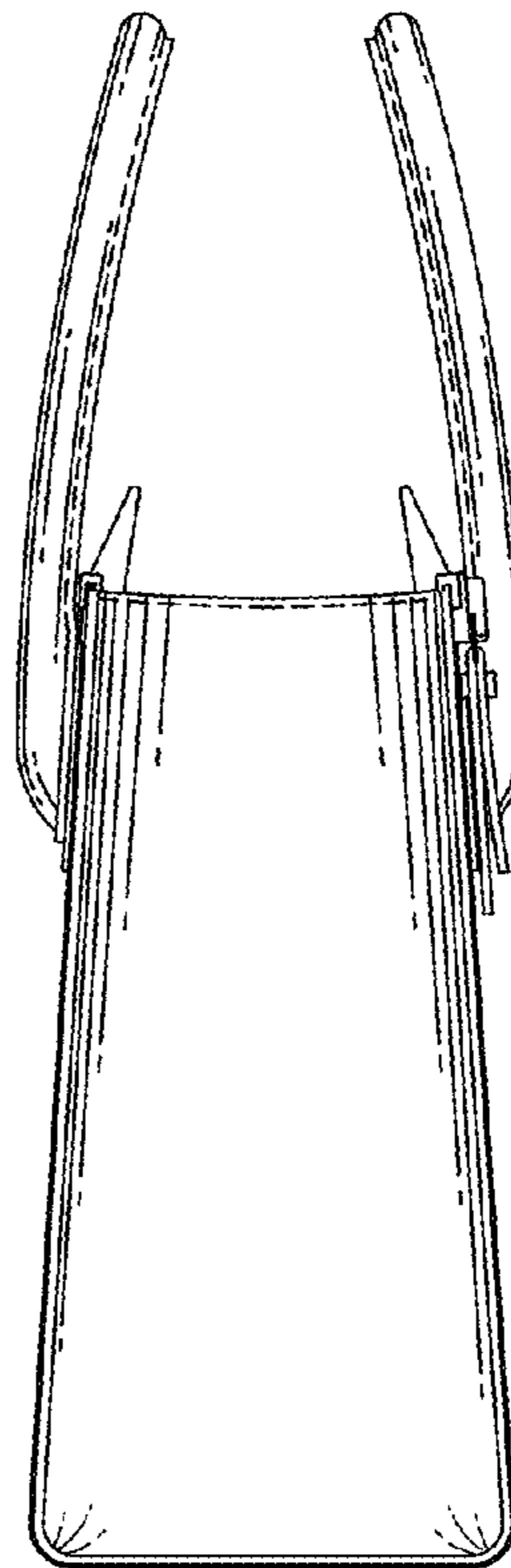


FIG. 6

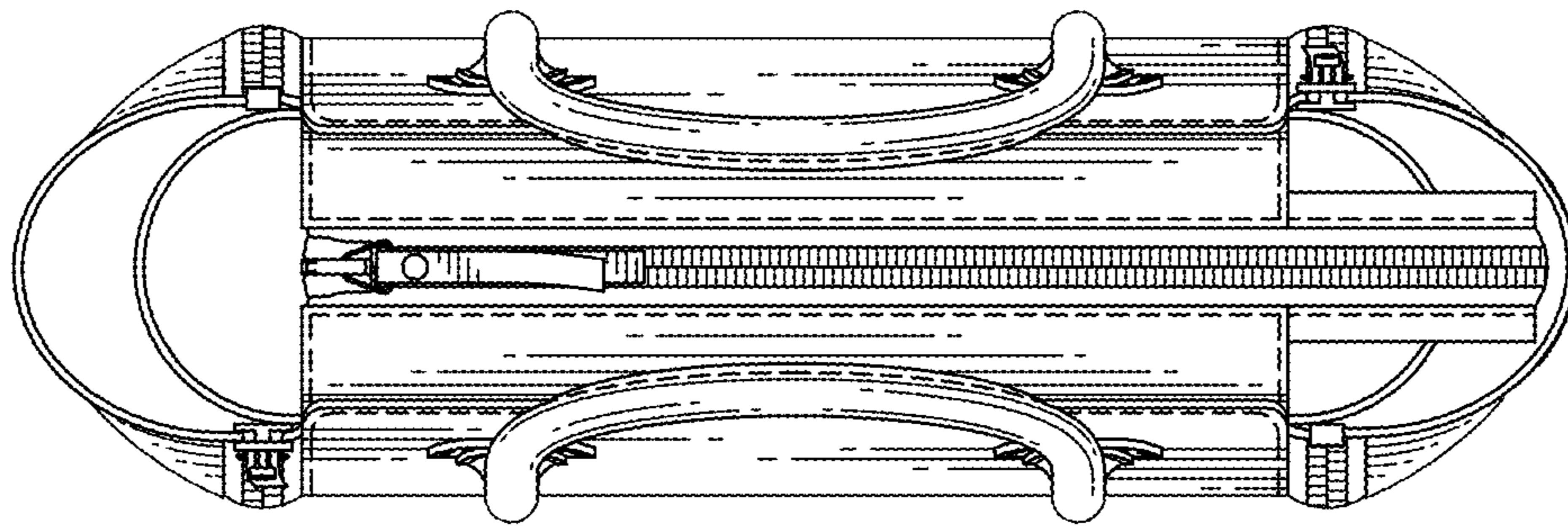


FIG. 7

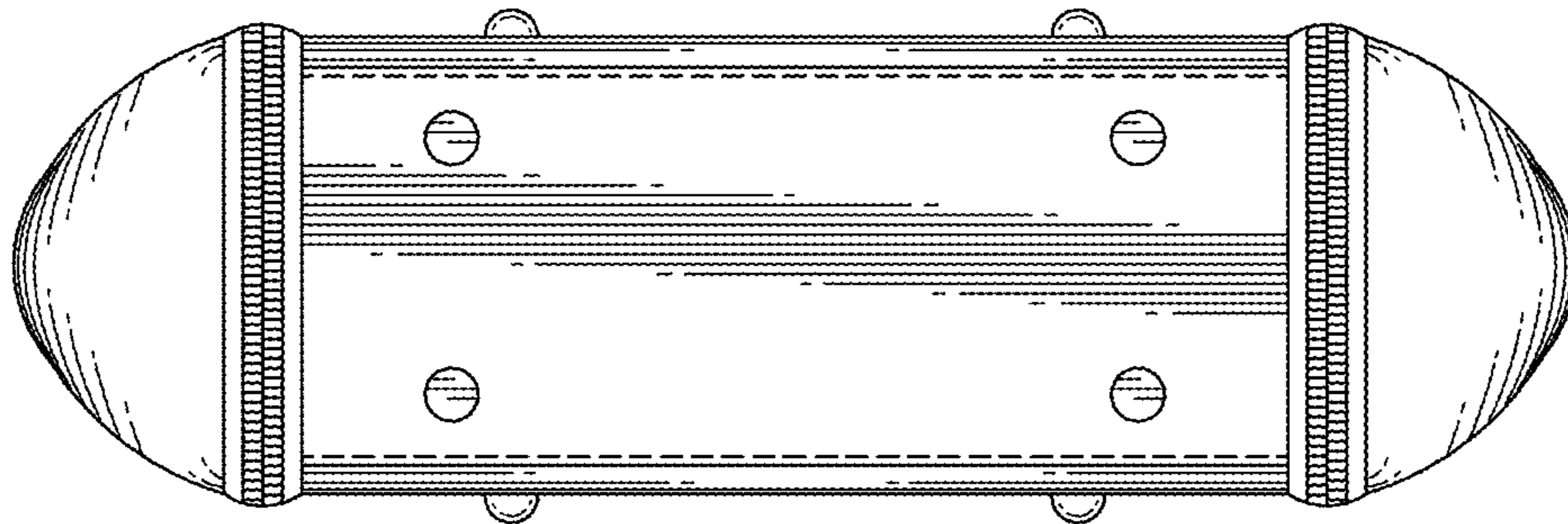


FIG. 8

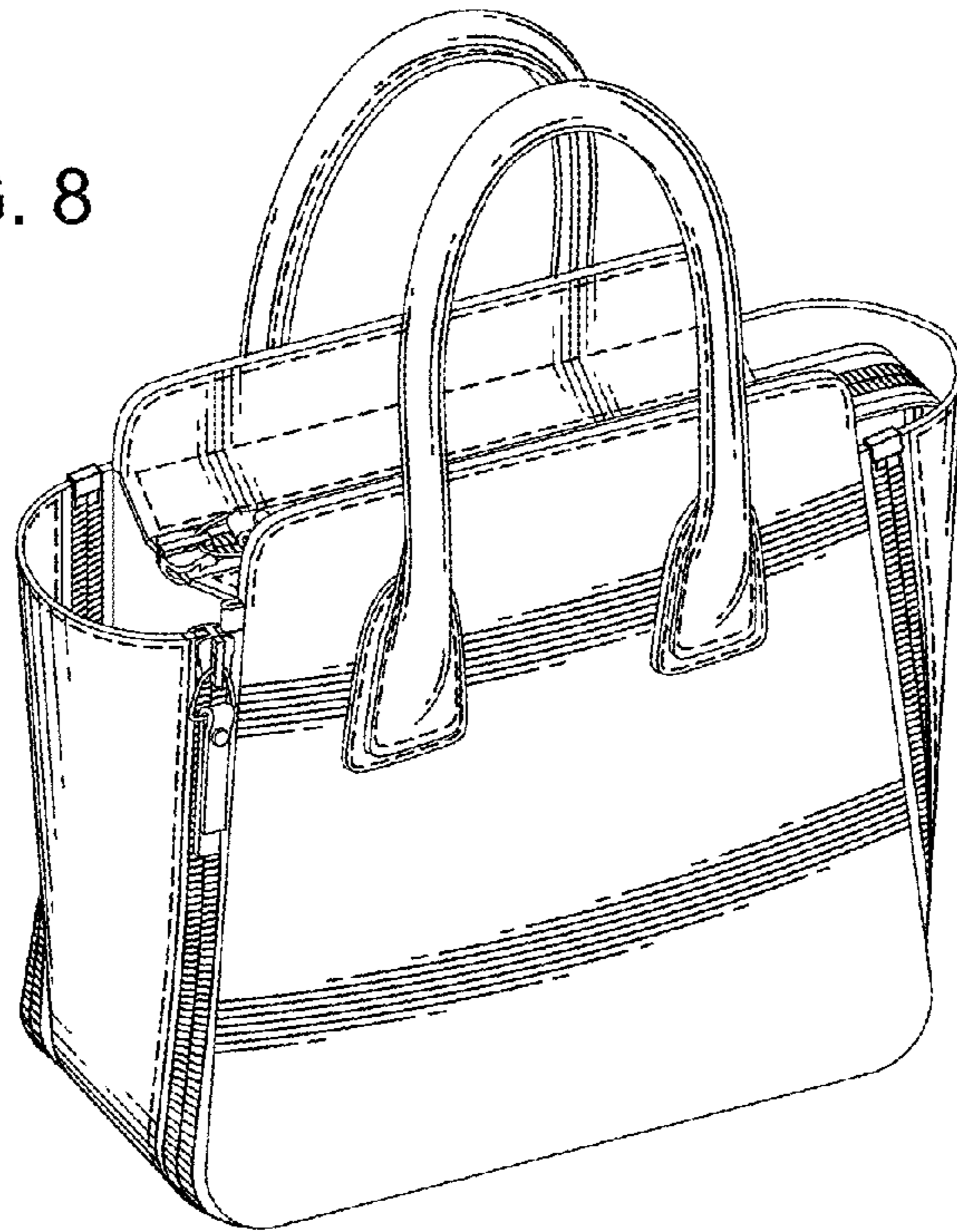


FIG. 9

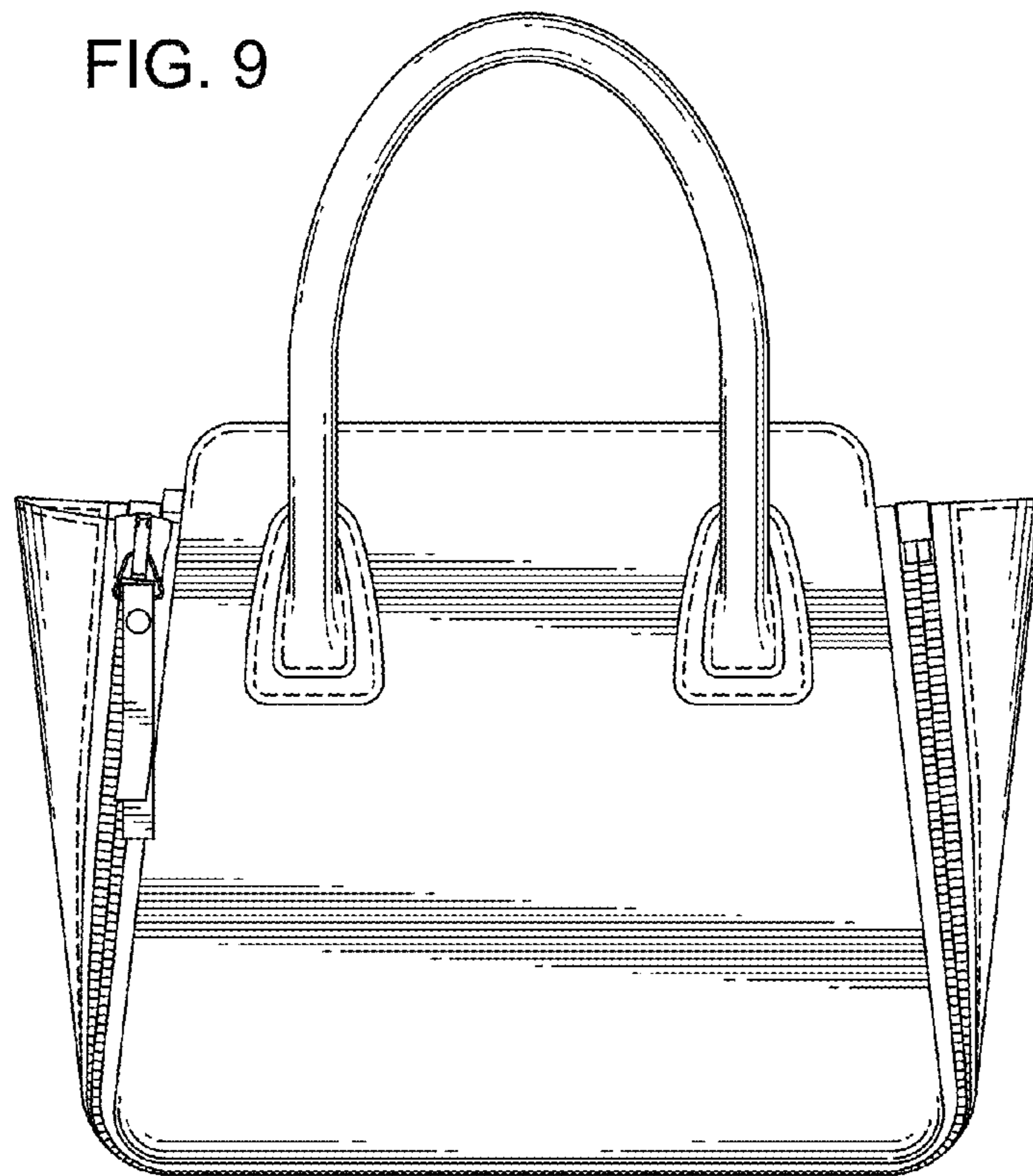


FIG. 10

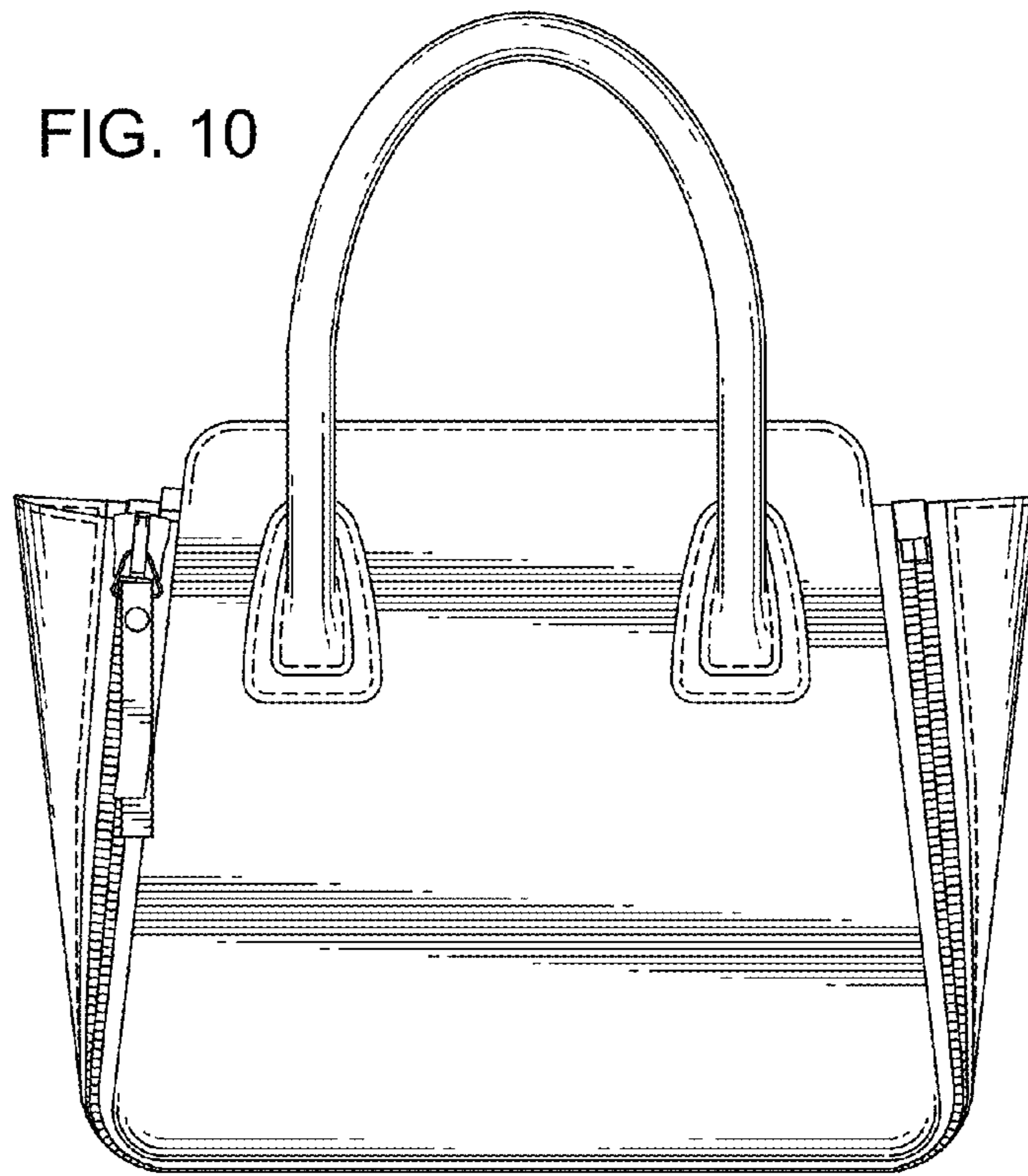


FIG. 11

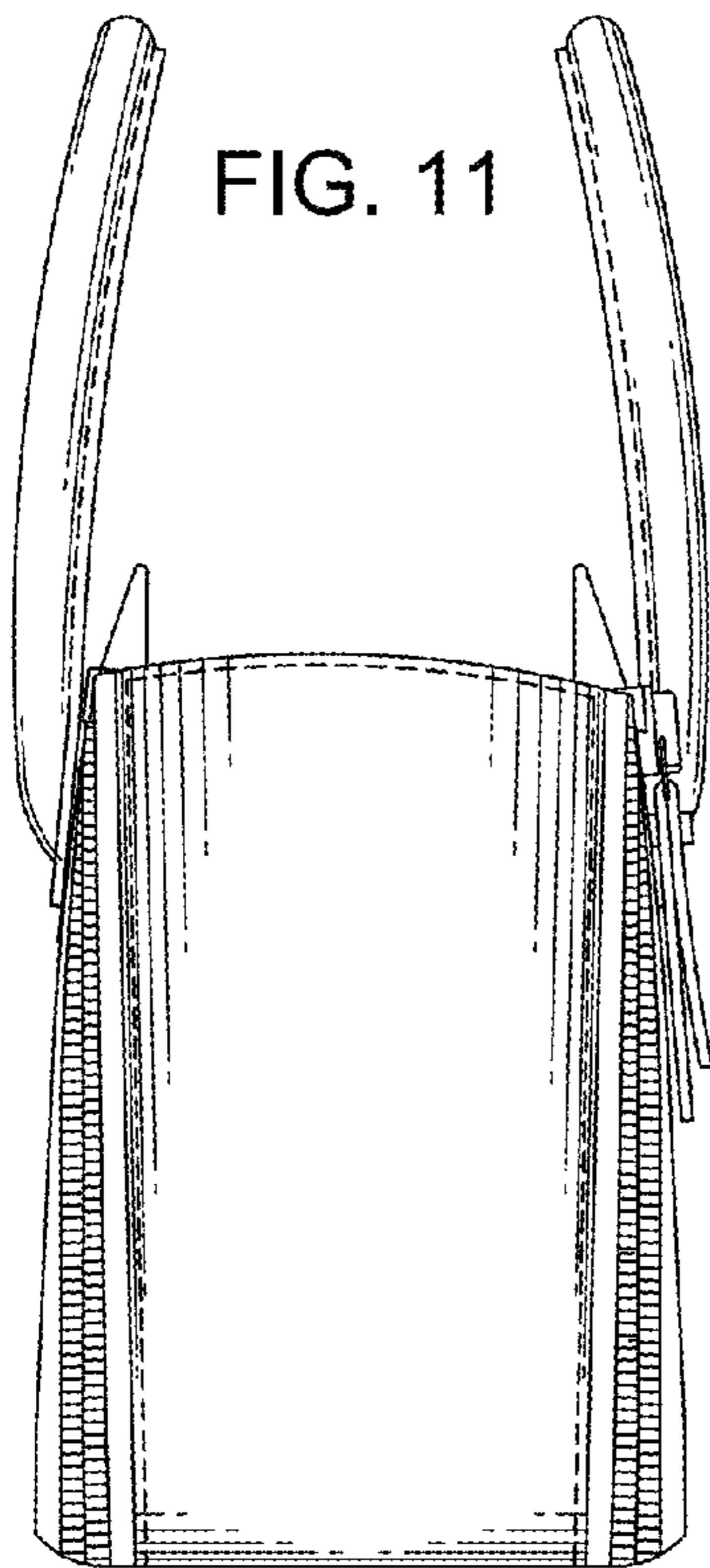


FIG. 12

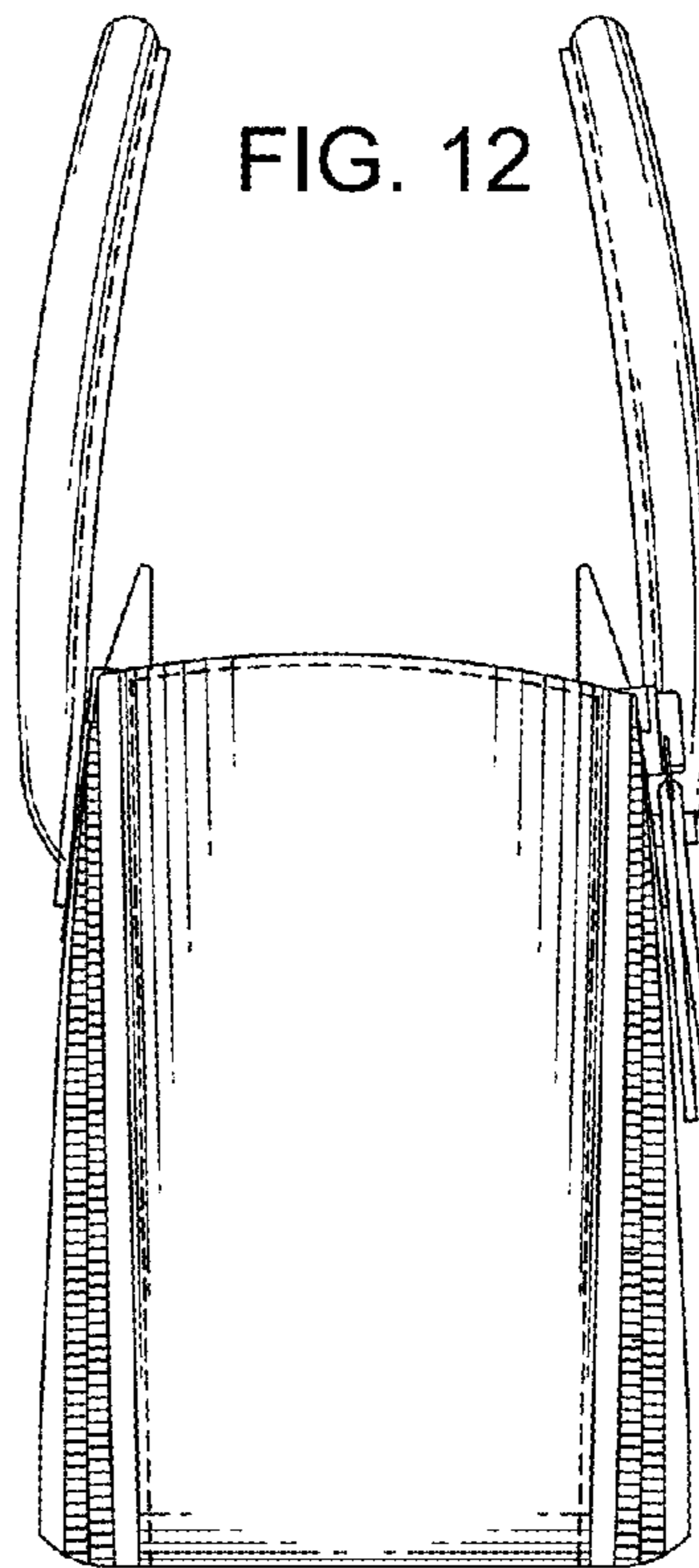


FIG. 13

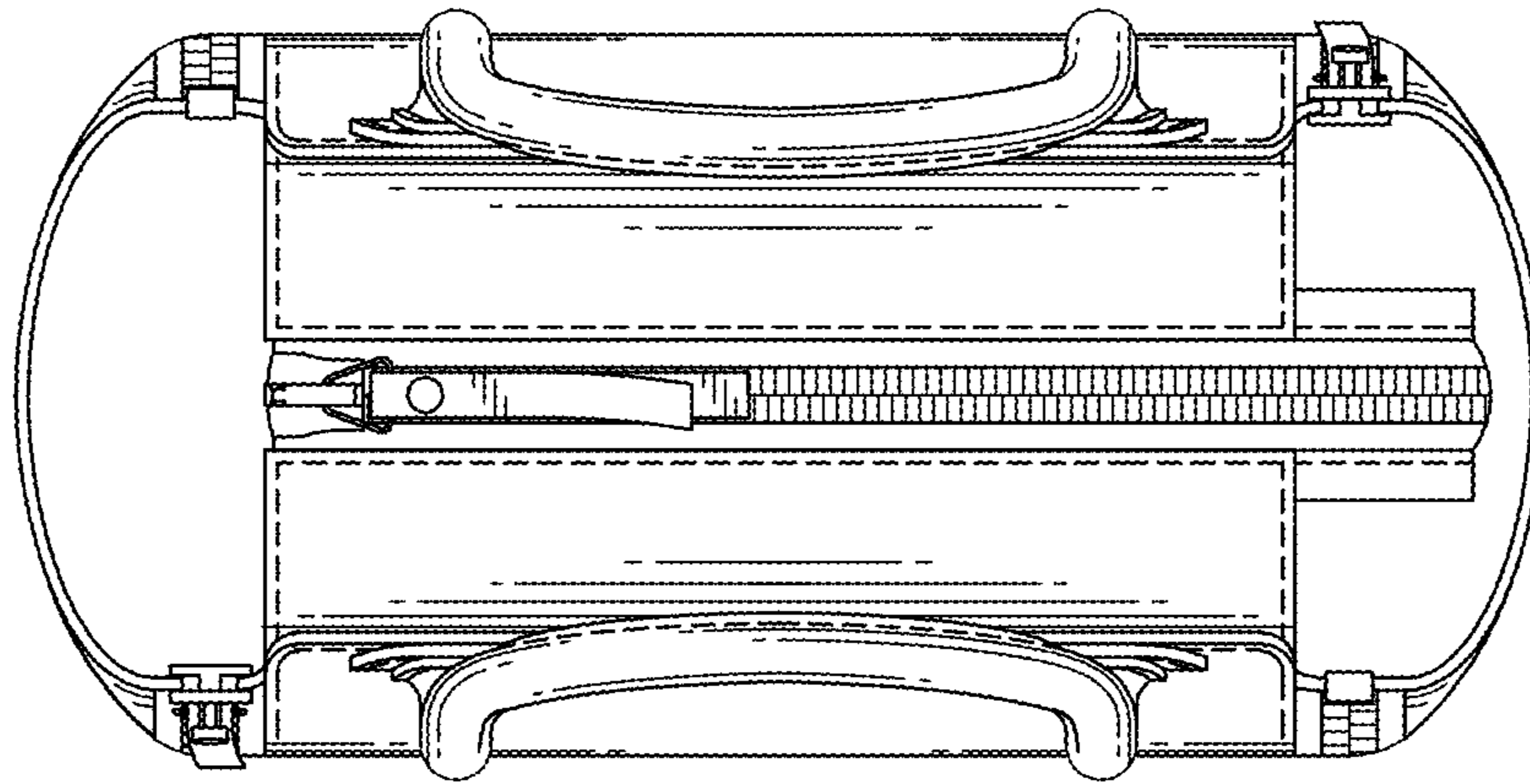


FIG. 14

