



US00D761017S

(12) **United States Design Patent**
Klüsener

(10) **Patent No.:** **US D761,017 S**
(45) **Date of Patent:** **** Jul. 12, 2016**

(54) **MESSENGER BAG**

Primary Examiner — Holly Baynham

(71) Applicant: **Martin Klüsener**, Cologne (DE)

(72) Inventor: **Martin Klüsener**, Cologne (DE)

(**) Term: **14 Years**

(21) Appl. No.: **29/517,492**

(22) Filed: **Feb. 13, 2015**

(51) **LOC (10) Cl.** **03-01**

(52) **U.S. Cl.**
USPC **D3/243**

(58) **Field of Classification Search**
None
See application file for complete search history.

(56) **References Cited**

U.S. PATENT DOCUMENTS

D158,691 S *	5/1950	Rona	D3/241
D624,312 S *	9/2010	Chu	D3/243
D650,990 S *	12/2011	Littleton	D3/243
D696,014 S *	12/2013	Ng	D3/243
D696,860 S *	1/2014	Guyon	D3/243

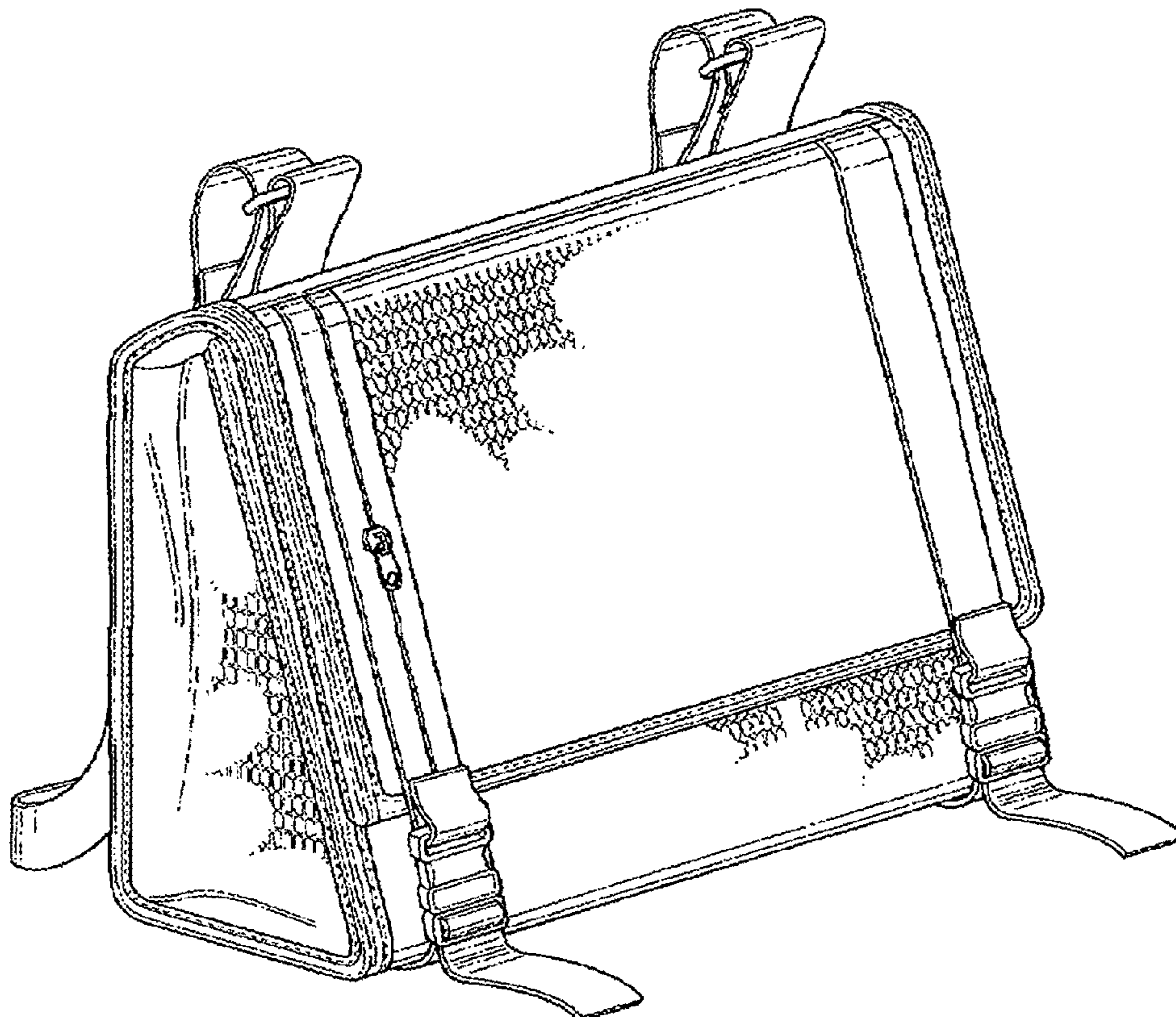
* cited by examiner

(57) **CLAIM**
The ornamental design for a messenger bag, as shown and described.

DESCRIPTION

FIG. 1 is a front perspective view of a messenger bag showing my new design;
FIG. 2 is a front side view thereof;
FIG. 3 is a back side view thereof;
FIG. 4 is a left side view thereof;
FIG. 5 is a right side view thereof;
FIG. 6 is a top side view;
FIG. 7 is a bottom side view, and,
FIG. 8 is a front perspective view of the messenger bag in an open position.
The shading and surface pill-shaped detailing represent surface texture. The broken lines shown on the surface of the drawings represent stitching and are part of the claimed design.

1 Claim, 6 Drawing Sheets



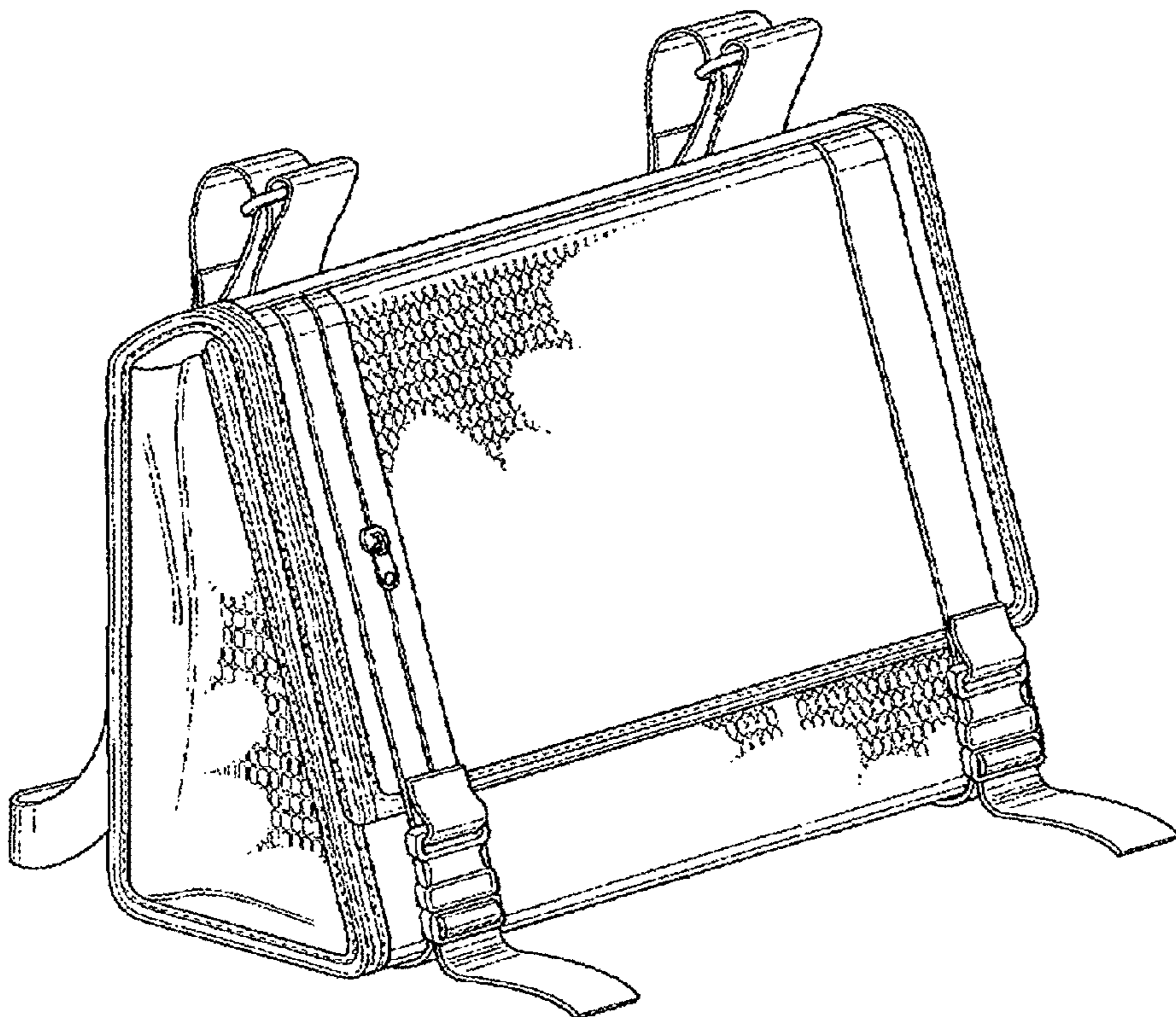


FIG. 1

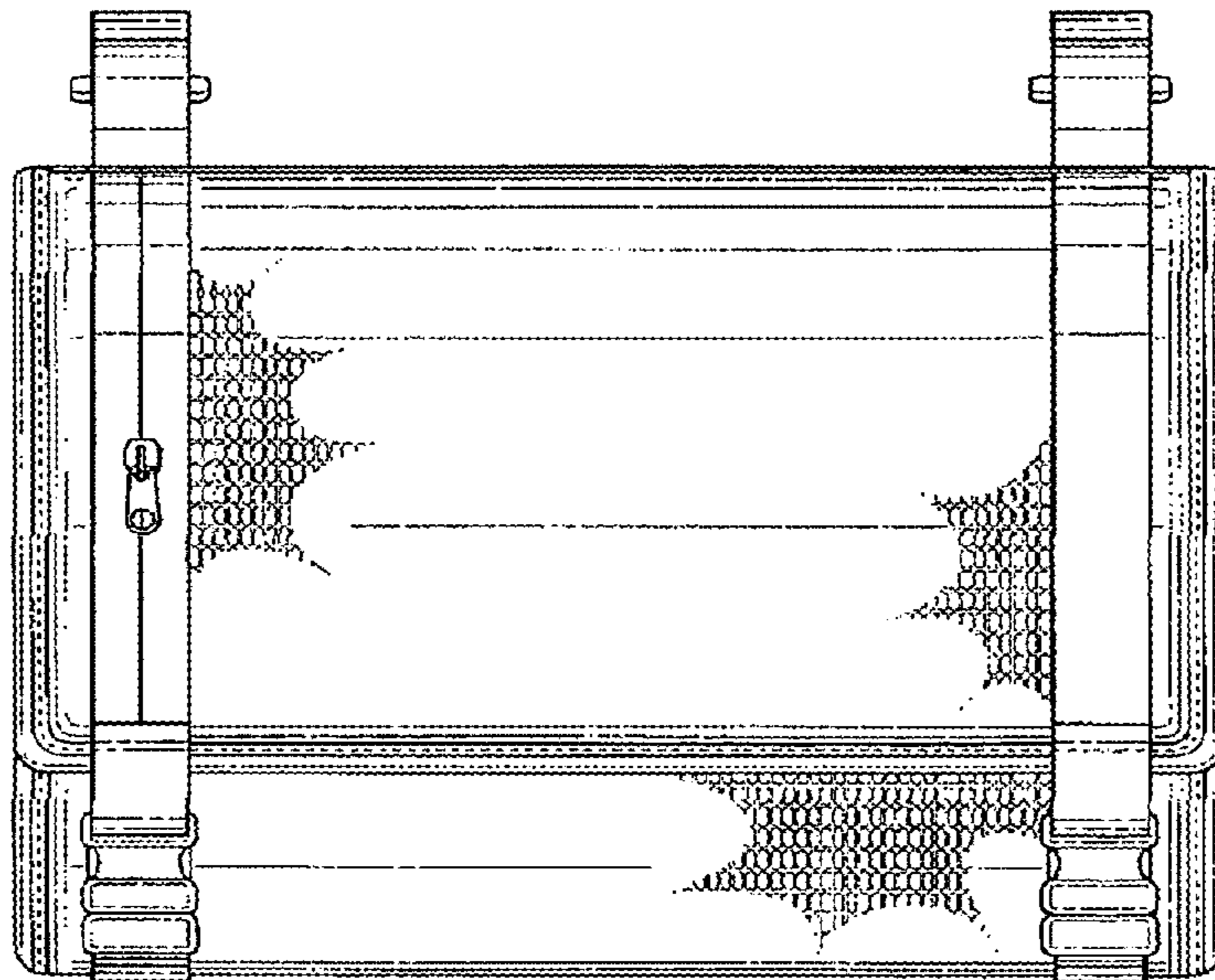


FIG. 2

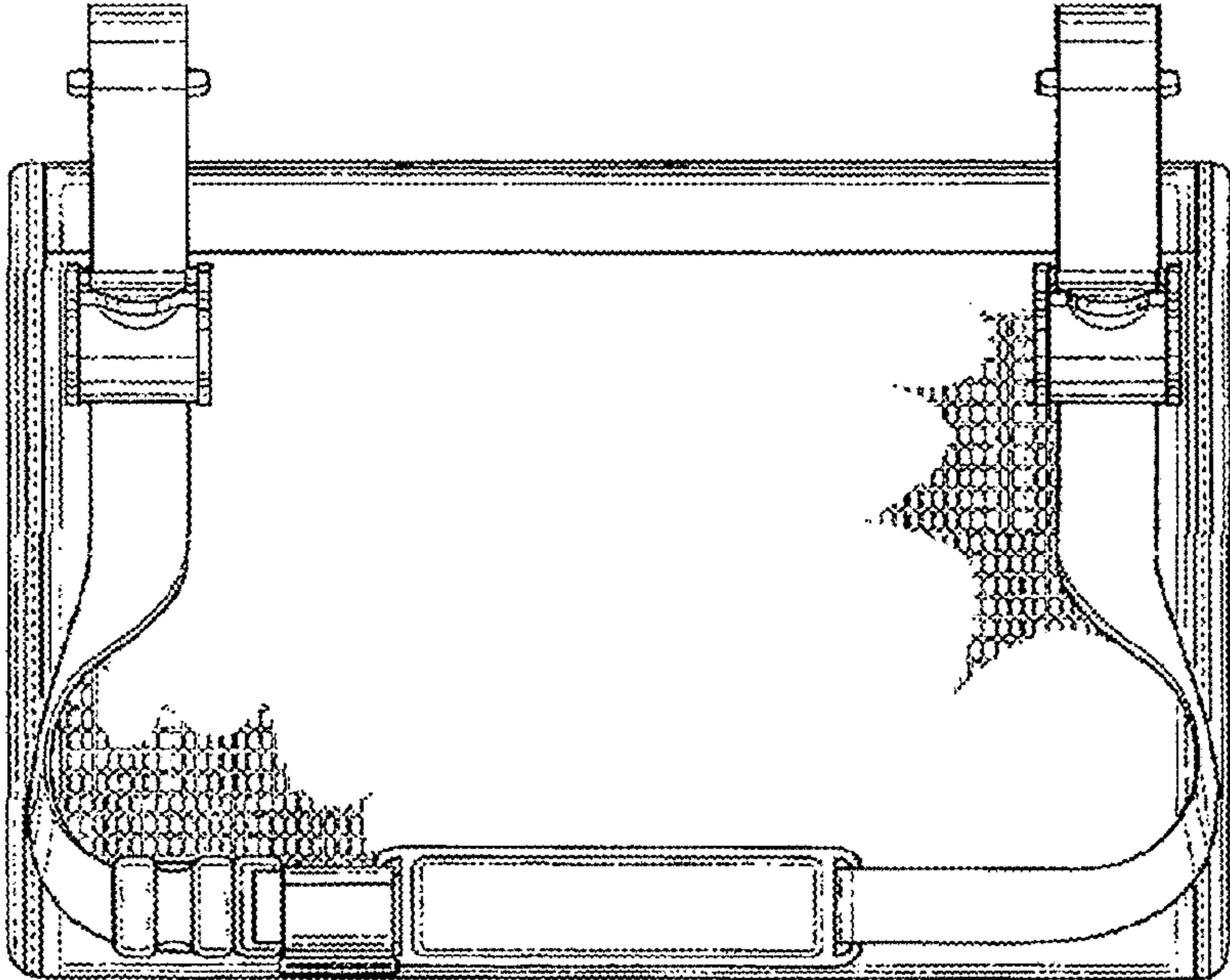


FIG. 3

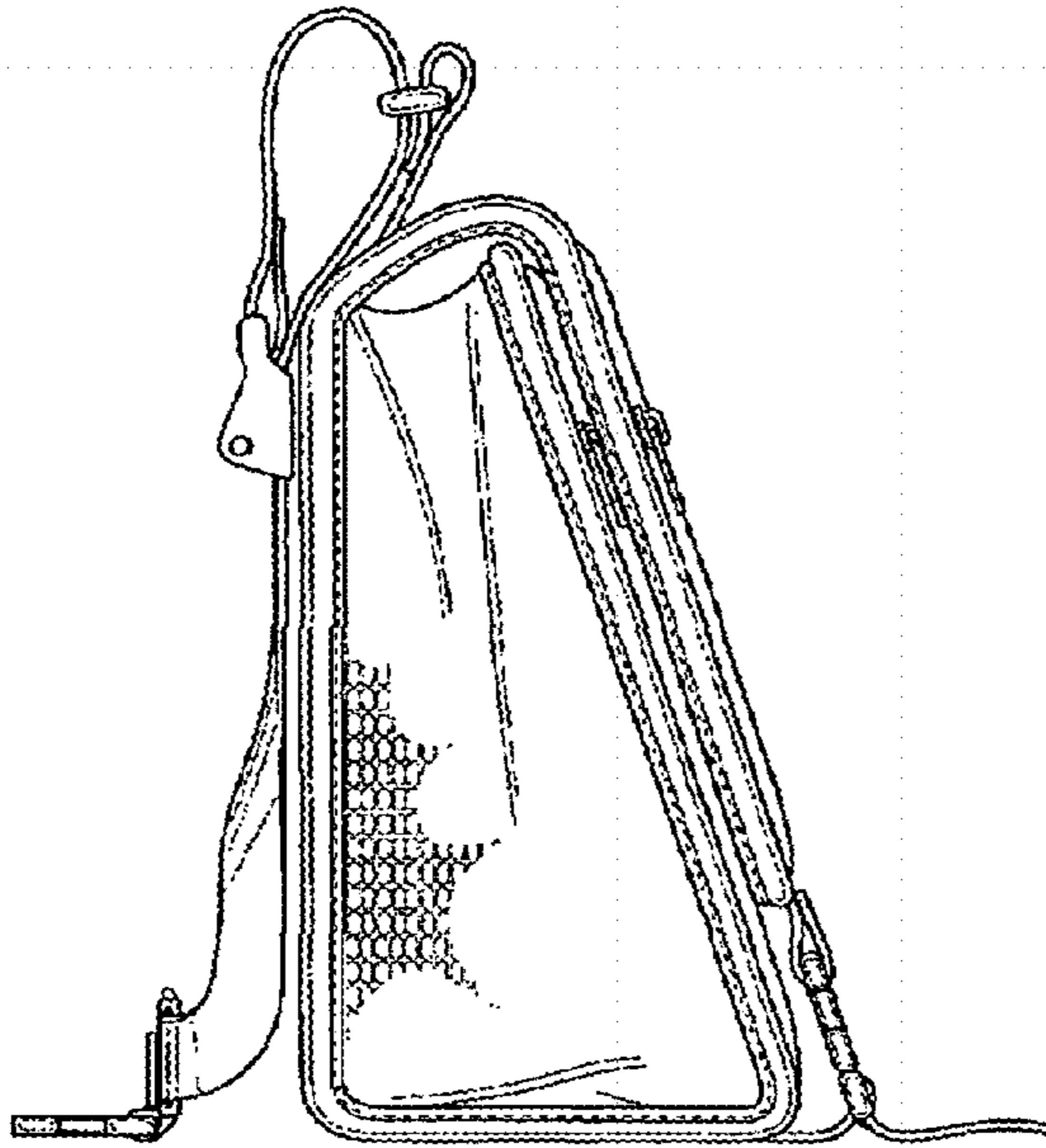


FIG. 4

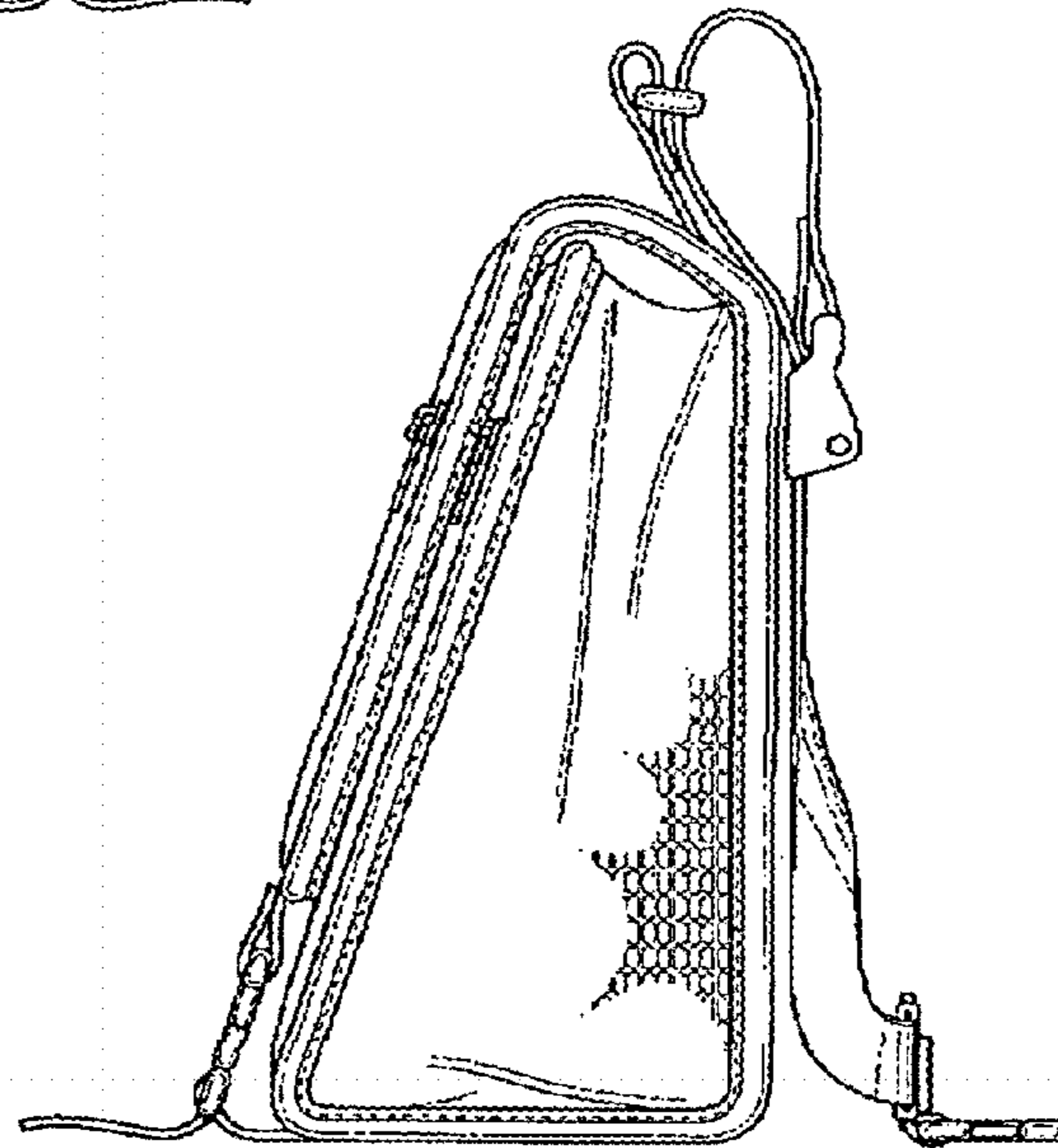


FIG. 5

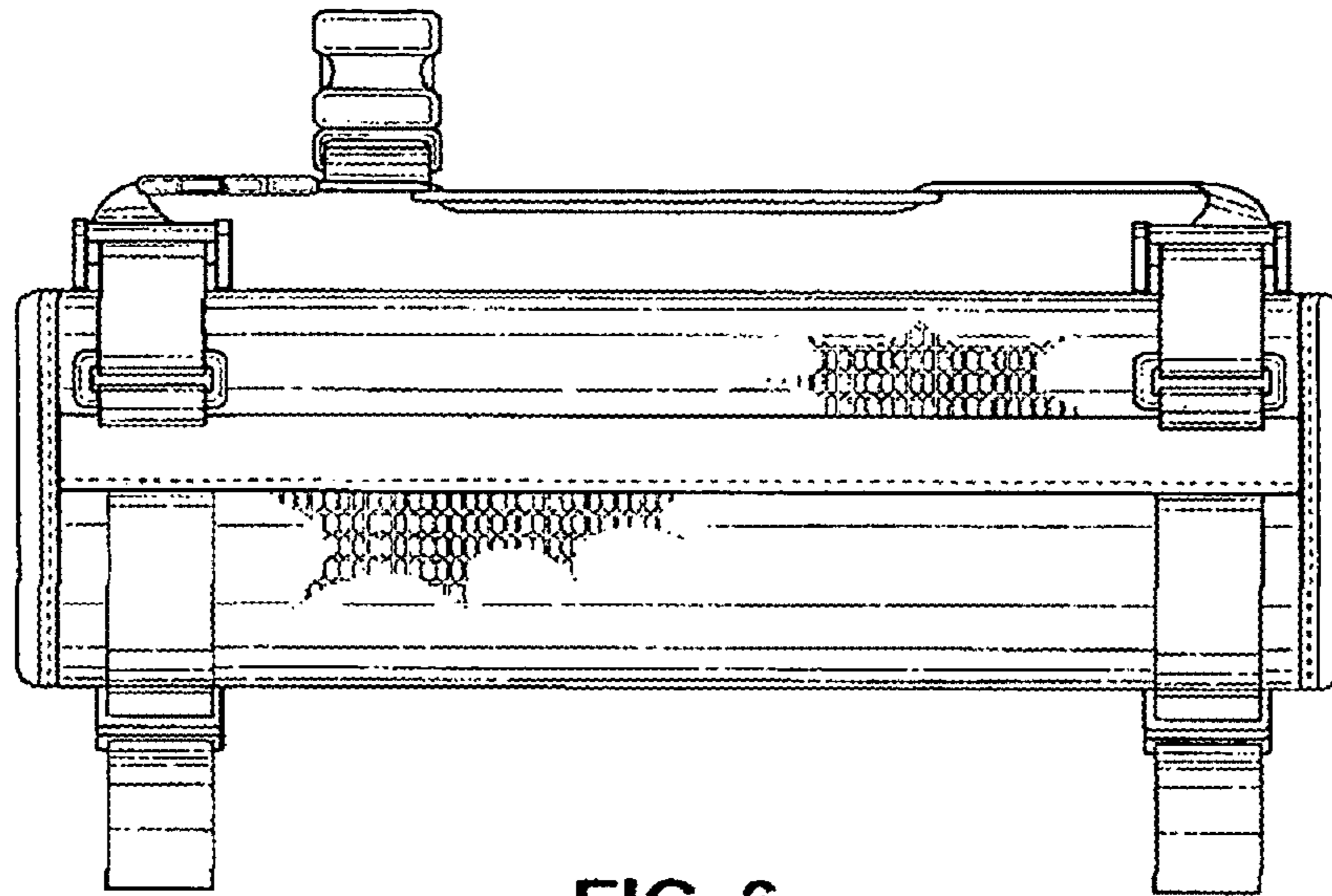


FIG. 6

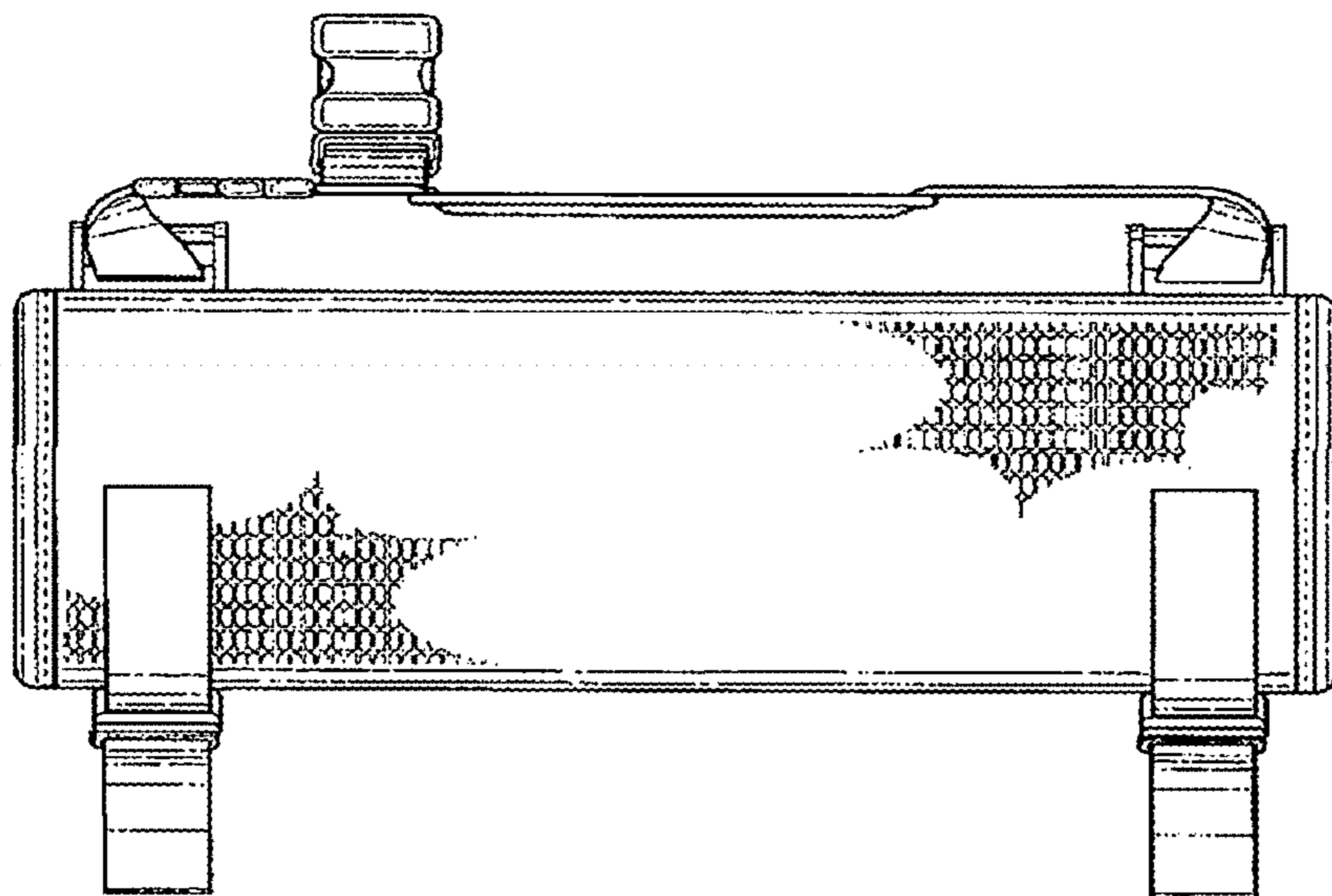


FIG. 7

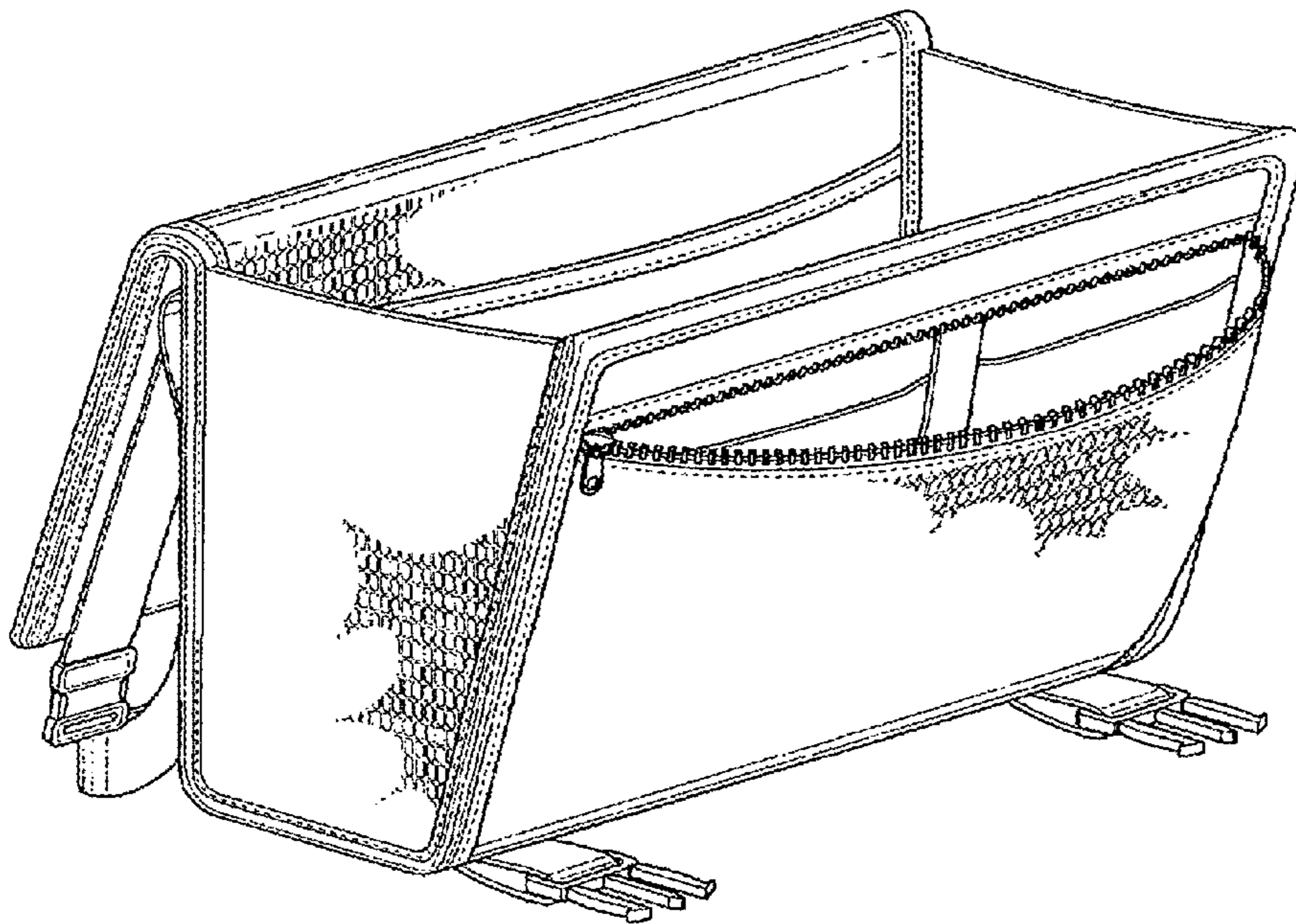


FIG. 8