



US00D761012S

(12) **United States Design Patent**
Quarless

(10) **Patent No.:** **US D761,012 S**
(45) **Date of Patent:** **** Jul. 12, 2016**

(54) **SHOPPING BAG**

(71) Applicant: **Telebrands Corp.**, Fairfield, NJ (US)

(72) Inventor: **William A Quarless**, Kowloon (HK)

(73) Assignee: **Telebrands Corp.**, Fairfield, NJ (US)

(**) Term: **14 Years**

(21) Appl. No.: **29/504,263**

(22) Filed: **Oct. 3, 2014**

(51) **LOC (10) Cl.** **03-01**

(52) **U.S. Cl.**
USPC **D3/232**

(58) **Field of Classification Search**
USPC D3/232-233, 240-243, 245-246
CPC A45C 1/024; A45C 3/08
See application file for complete search history.

(56) **References Cited**

U.S. PATENT DOCUMENTS

4,560,096	A	12/1985	Lucas et al.	
4,871,100	A	10/1989	Posner	
5,752,743	A	5/1998	Garelik	
6,161,665	A	12/2000	Hoover	
D623,853	S *	9/2010	Yu	D3/232
D624,310	S *	9/2010	LaCorte	D3/232
D711,095	S *	8/2014	Chen	D3/232
2004/0208397	A1	10/2004	Yi	

2005/0205632	A1	9/2005	Ristau
2009/0092342	A1	4/2009	de Oliveira et al.
2009/0101253	A1	4/2009	Kinskey et al.

FOREIGN PATENT DOCUMENTS

EP 1 792 548 A2 6/2007

* cited by examiner

Primary Examiner — Holly Baynham

(74) *Attorney, Agent, or Firm* — Cooper & Dunham, LLP

(57) **CLAIM**

The ornamental design for a shopping bag, as shown and described.

DESCRIPTION

FIG. 1 is a perspective view of a shopping bag in accordance with the present design when in a folded, closed configuration;
FIG. 2 is a right side view thereof;
FIG. 3 is a left side view thereof;
FIG. 4 is a front view thereof;
FIG. 5 is a back view thereof;
FIG. 6 is a top view thereof when in an unfolded configuration;
FIG. 7 is a bottom view thereof when in an unfolded configuration; and,
FIG. 8 is a perspective view thereof when in a folded, open configuration.
The shading represents contour of the claimed design.

1 Claim, 7 Drawing Sheets

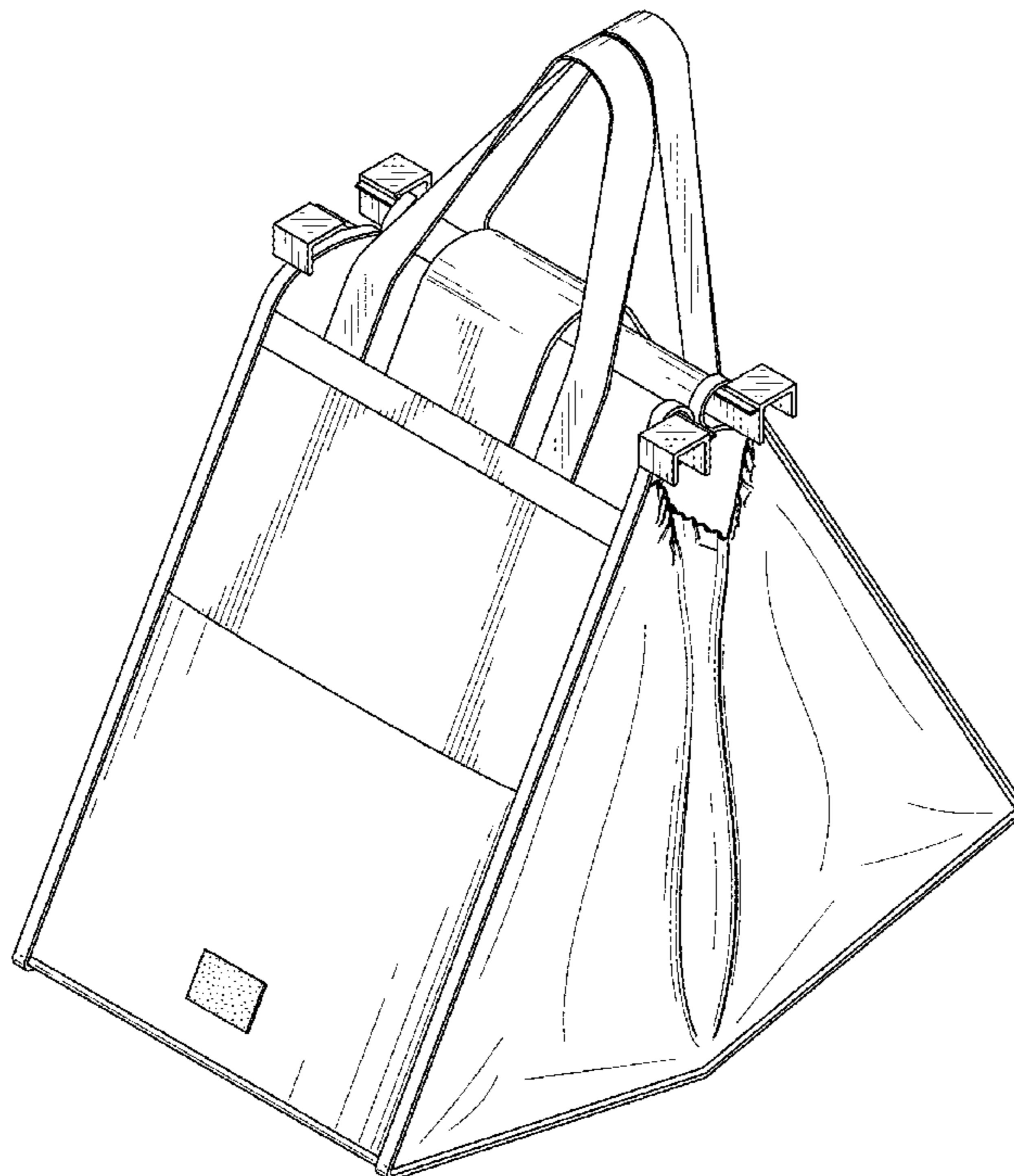


FIG. 1

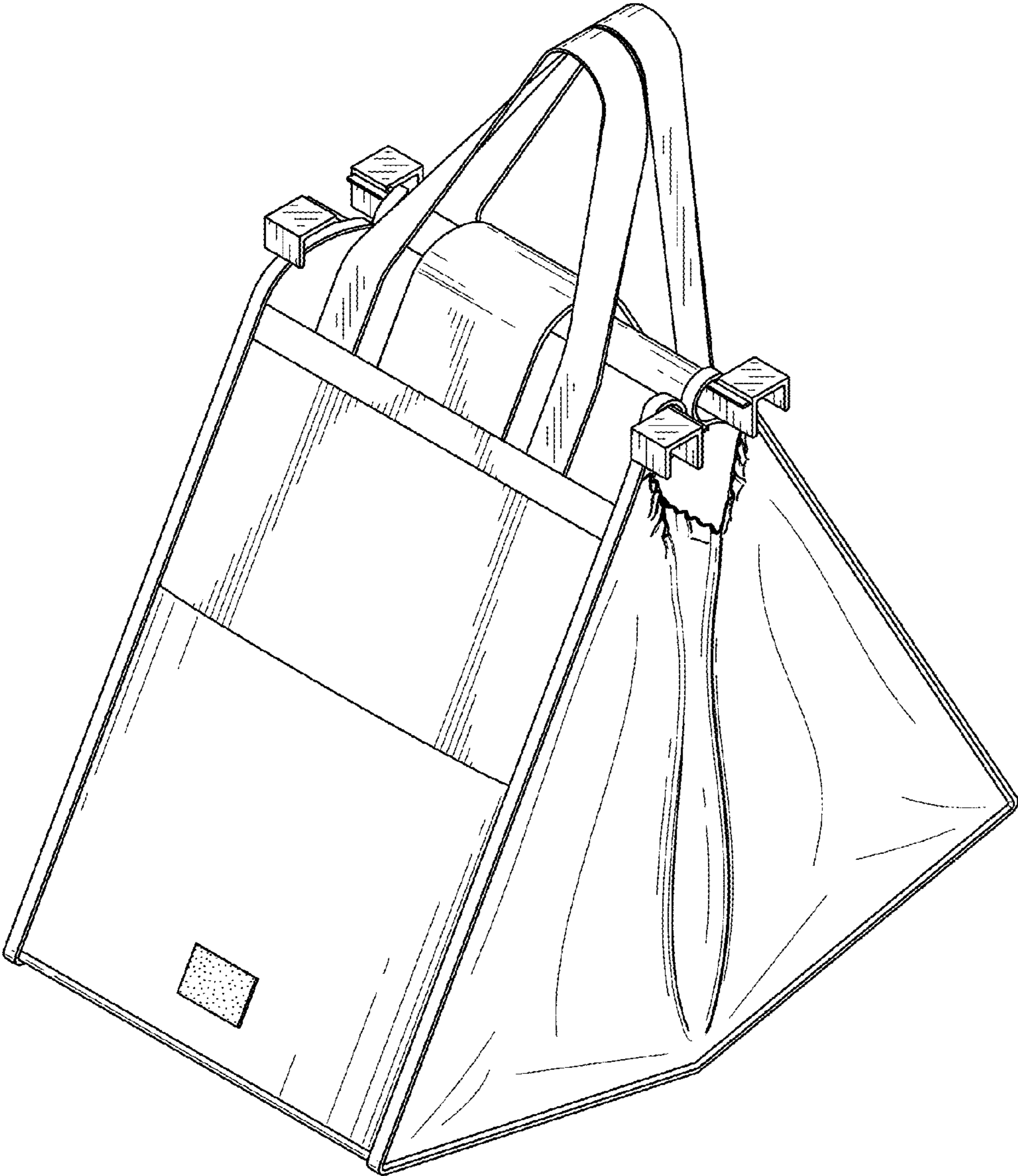


FIG. 2

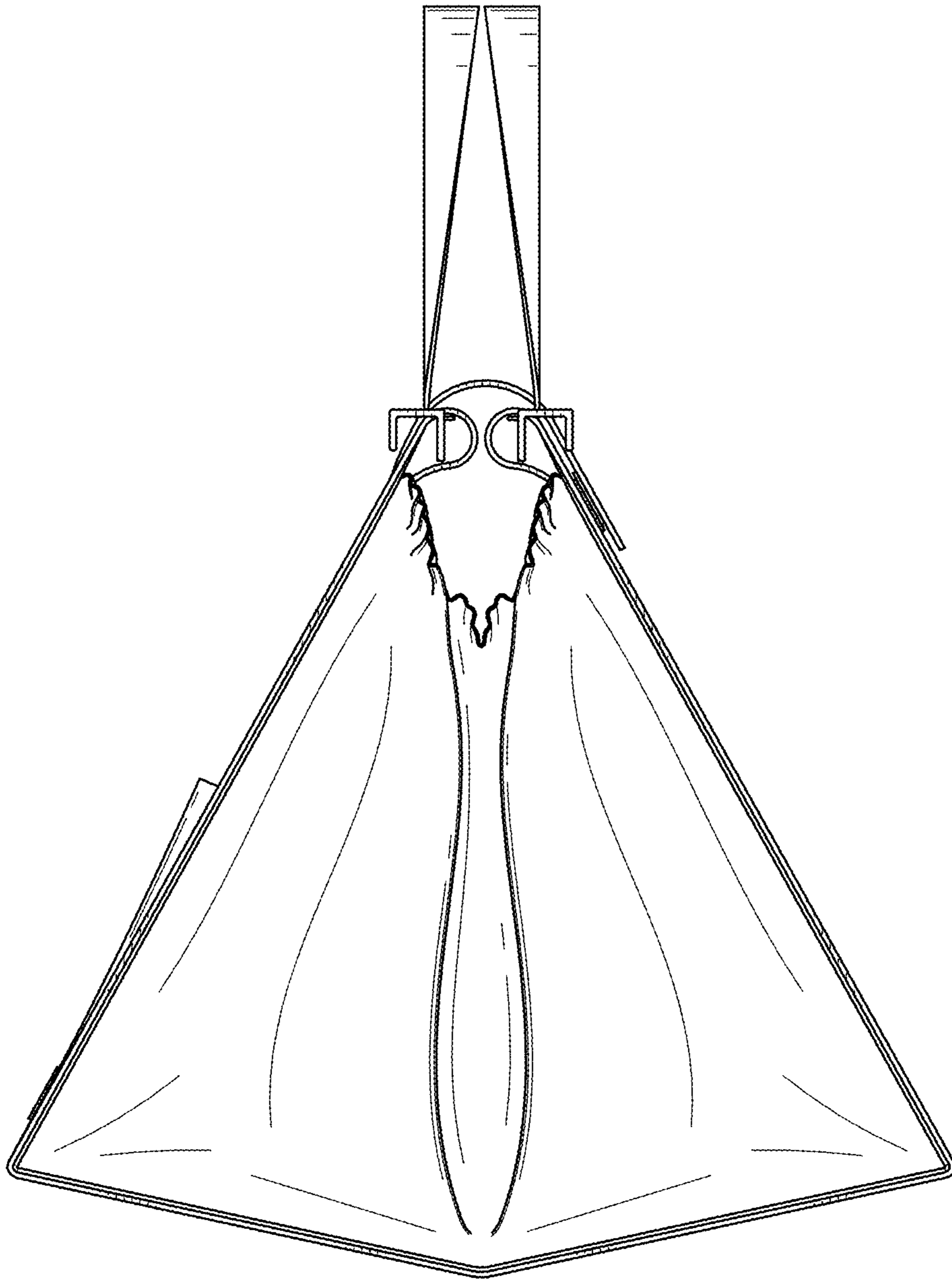


FIG. 3

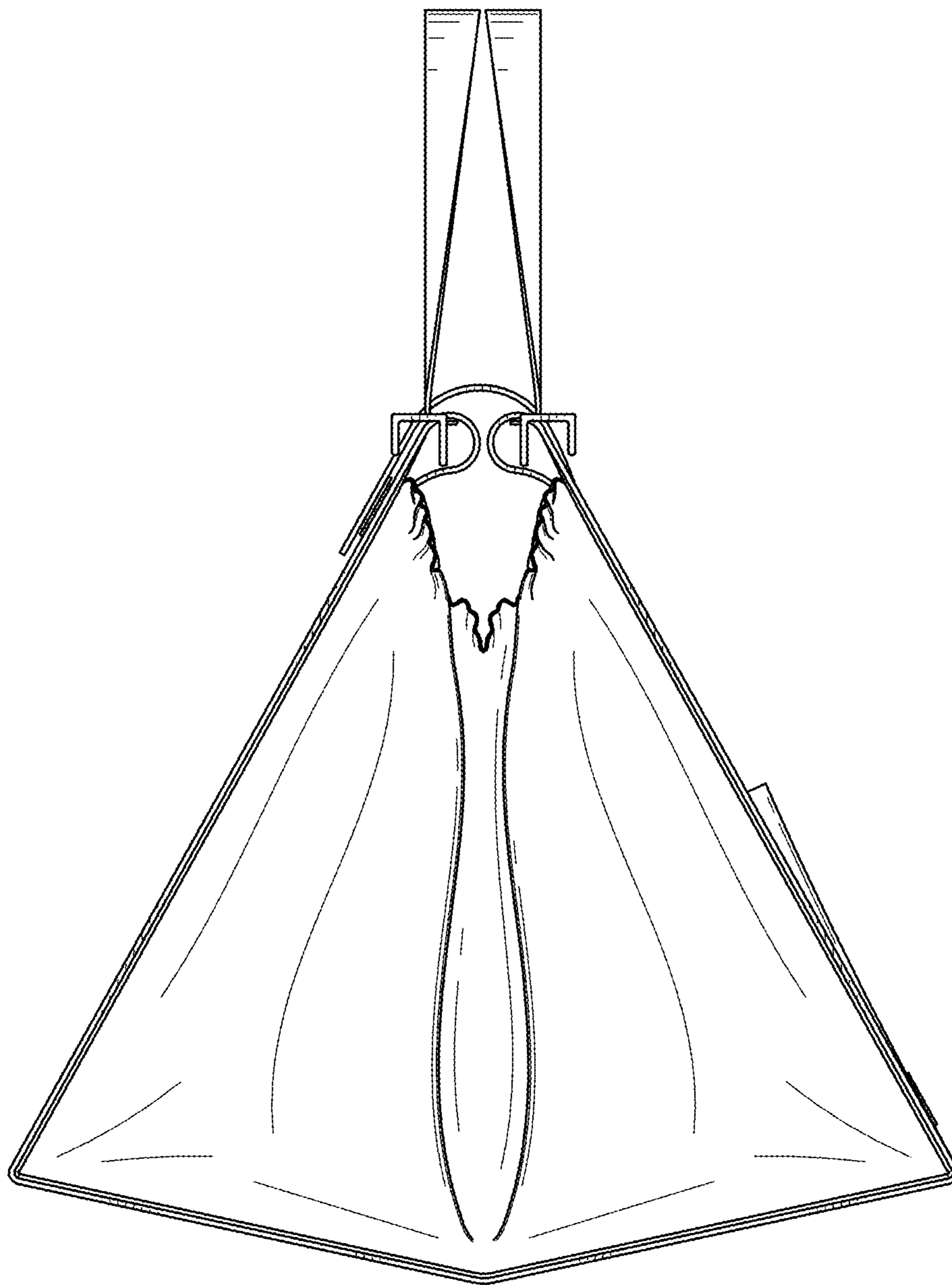


FIG. 4

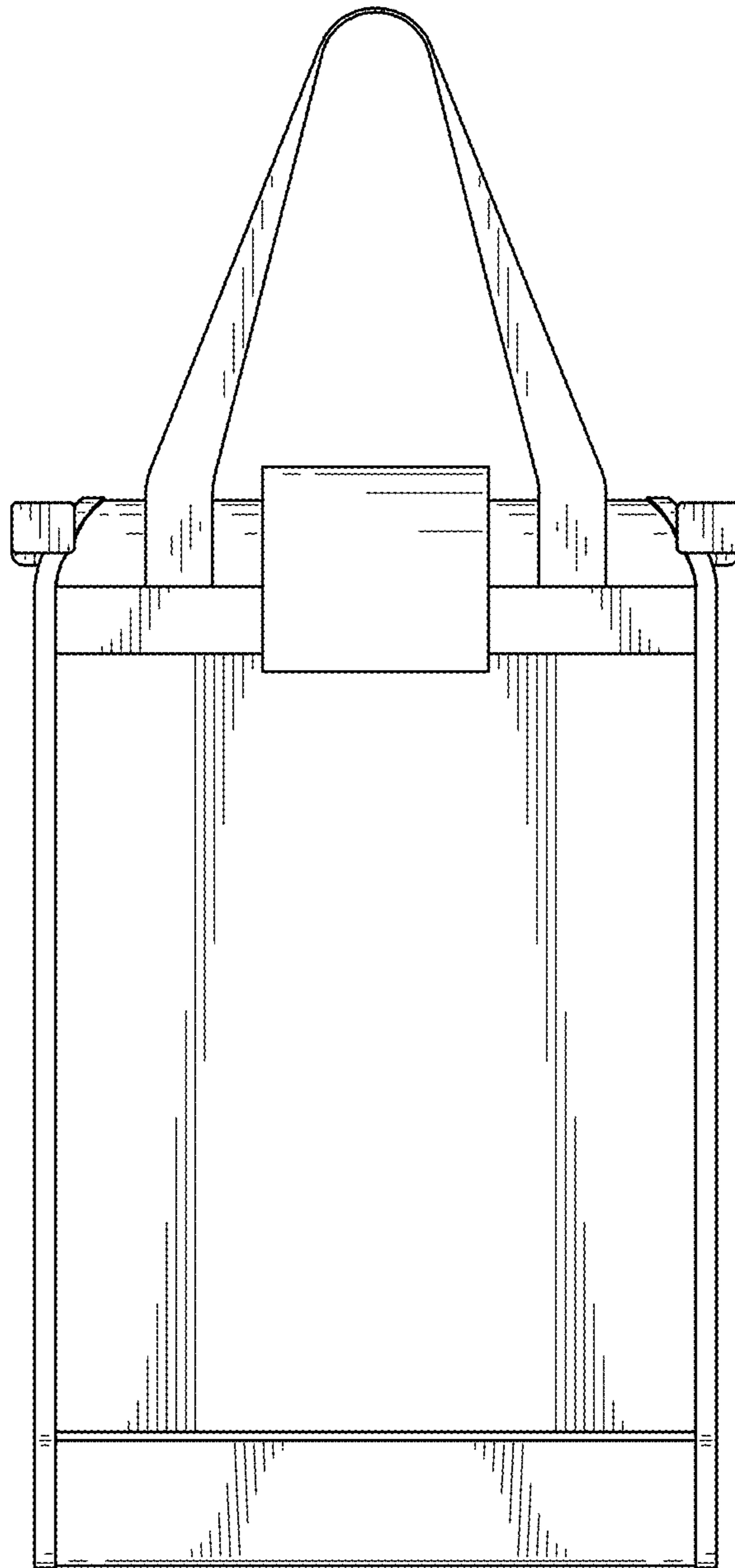


FIG. 5

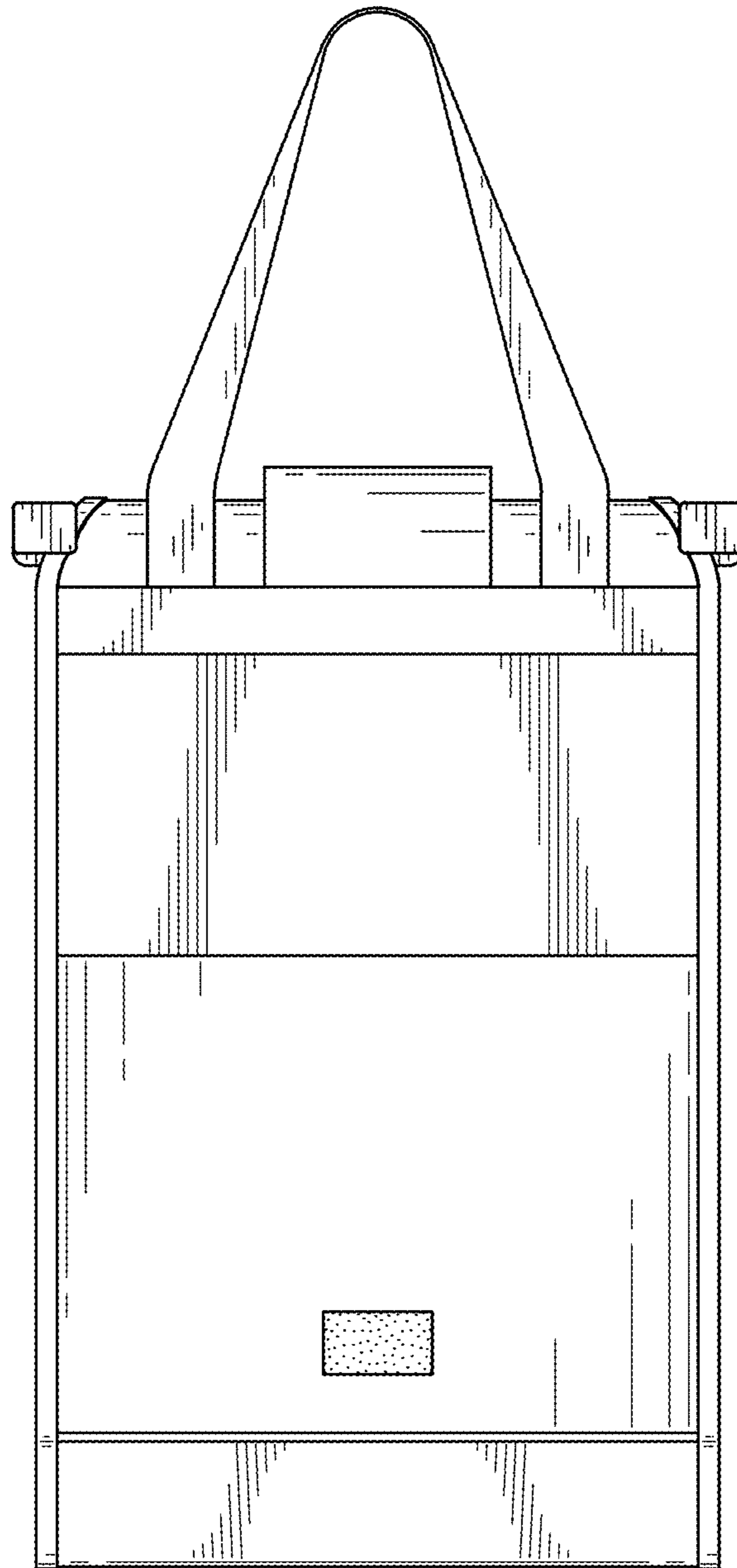


FIG. 6

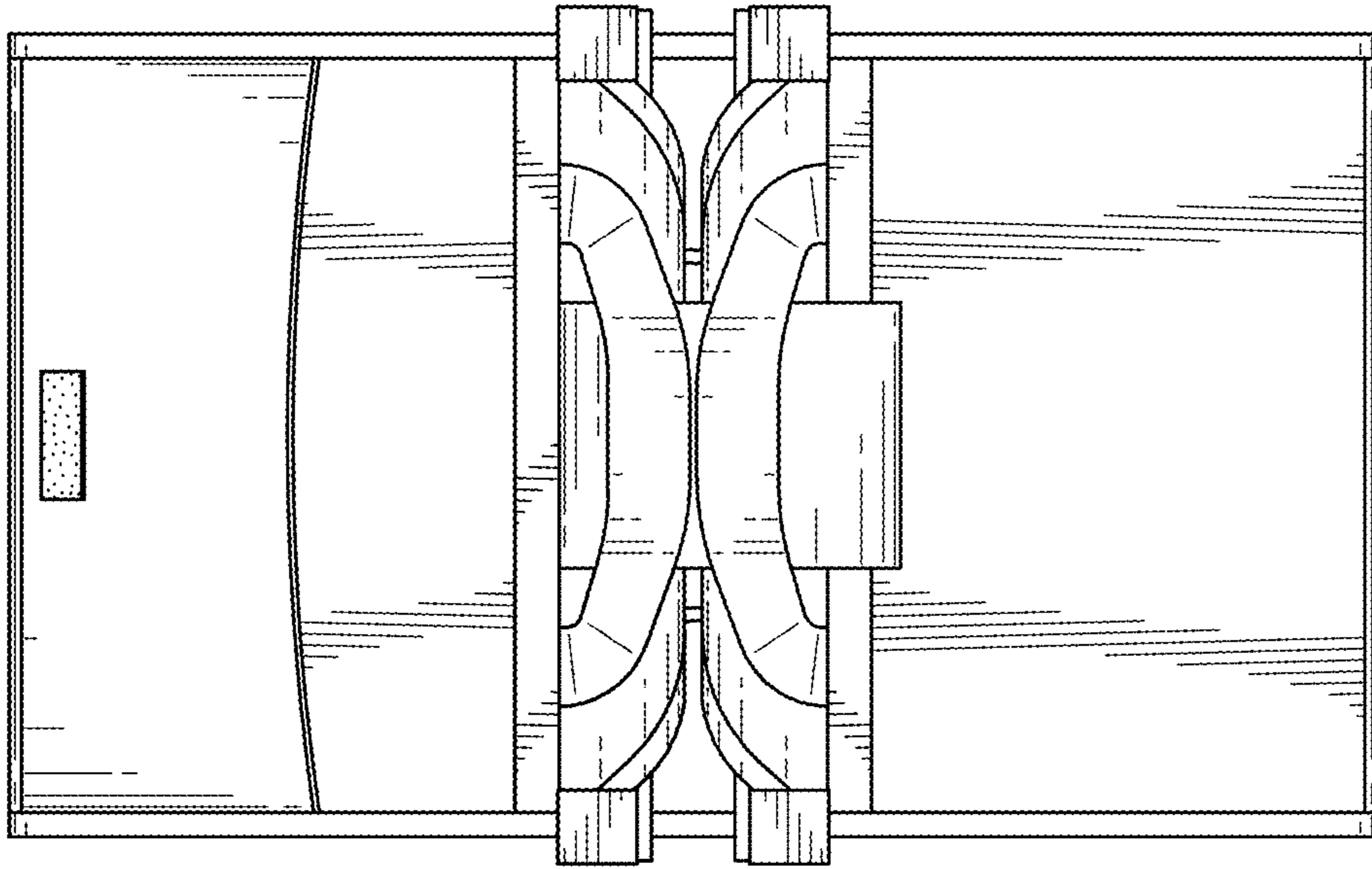
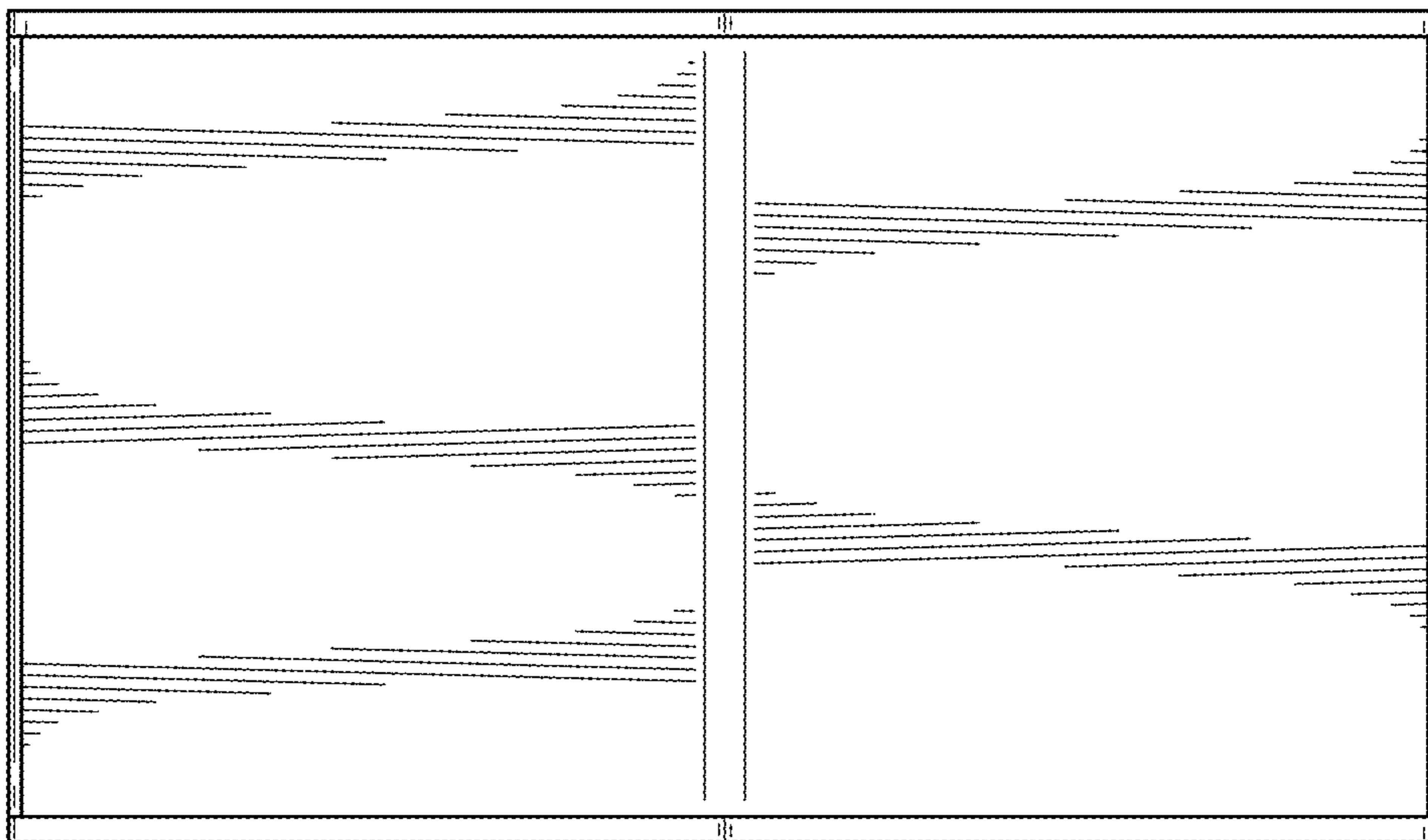


FIG. 7



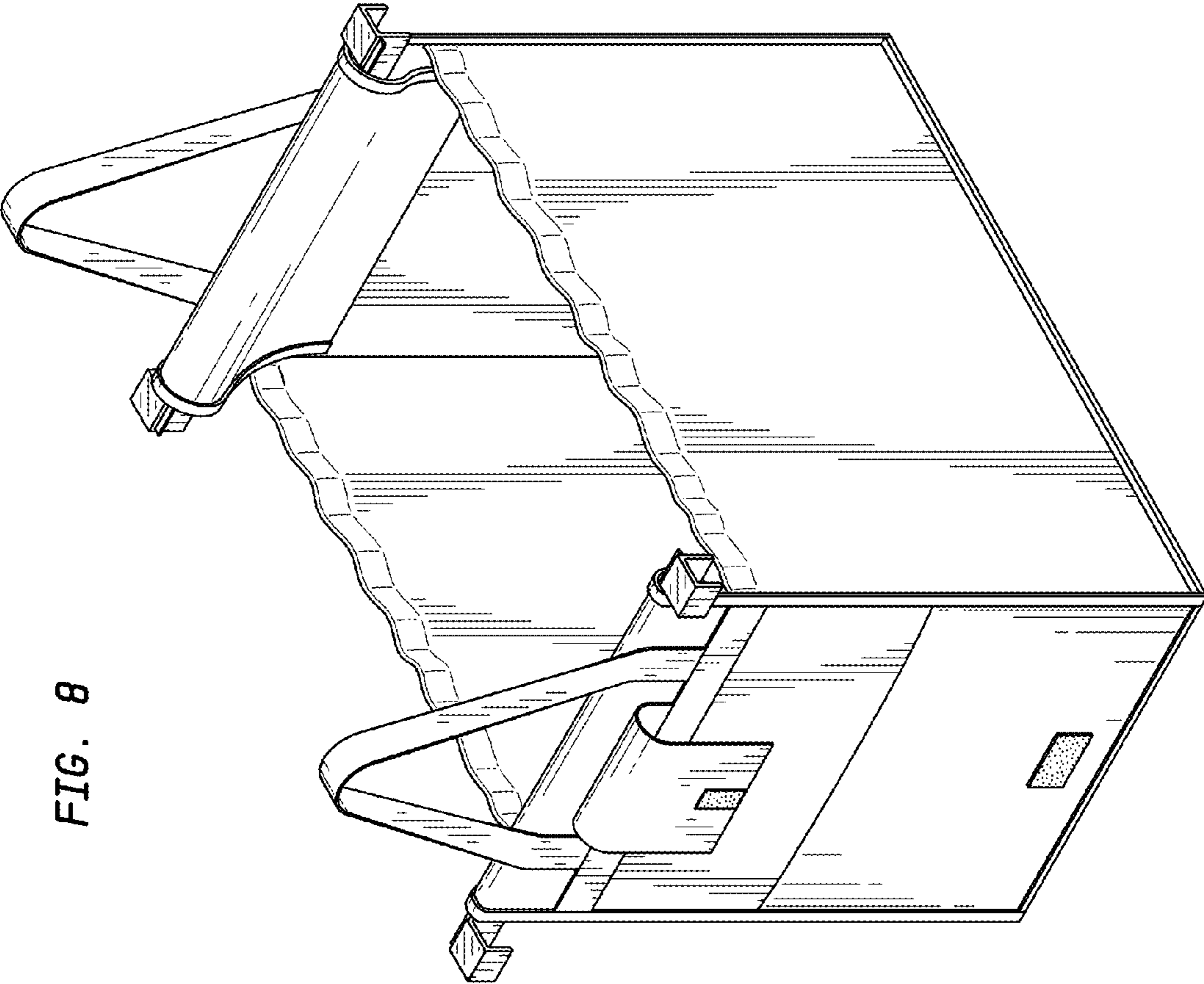


FIG. 8