



US00D761008S

(12) **United States Design Patent**  
**Lande**

(10) **Patent No.:** **US D761,008 S**  
(45) **Date of Patent:** **\*\* Jul. 12, 2016**

- (54) **MEDICAL SAFETY CONTAINER**
- (71) Applicant: **RALANDE Group LLC**, Los Angeles, CA (US)
- (72) Inventor: **Rebecca Lande**, Los Angeles, CA (US)
- (73) Assignee: **RALANDE GROUP LLC**, Los Angeles, CA (US)
- (\*\*) Term: **14 Years**
- (21) Appl. No.: **29/522,235**
- (22) Filed: **Mar. 27, 2015**
- (51) **LOC (10) Cl.** ..... **03-01**
- (52) **U.S. Cl.**  
USPC ..... **D3/203.2**
- (58) **Field of Classification Search**  
USPC ..... D3/201, 203.1, 203.2; D24/227;  
D9/560, 420, 432, 453; 206/528, 539,  
206/533, 540; 224/239, 241; 220/4.24  
CPC ..... B65D 85/42; B65D 83/0445; B65D  
83/0454; B65D 21/0234  
See application file for complete search history.

(56) **References Cited**

**U.S. PATENT DOCUMENTS**

- D195,434 S \* 6/1963 Mojonnier et al. .... D9/523
- 3,142,422 A \* 7/1964 Mojonnier ..... B65D 21/0231  
206/509
- D232,523 S \* 8/1974 Nudell et al. .... D3/203.3
- 4,012,087 A \* 3/1977 Edwards, Jr. .... B42F 17/08  
206/425
- D254,720 S \* 4/1980 Schuander ..... D9/423

(Continued)

*Primary Examiner* — John Windmuller  
*Assistant Examiner* — Steven Czyz

(74) *Attorney, Agent, or Firm* — AEON Law; Adam L. K. Philipp

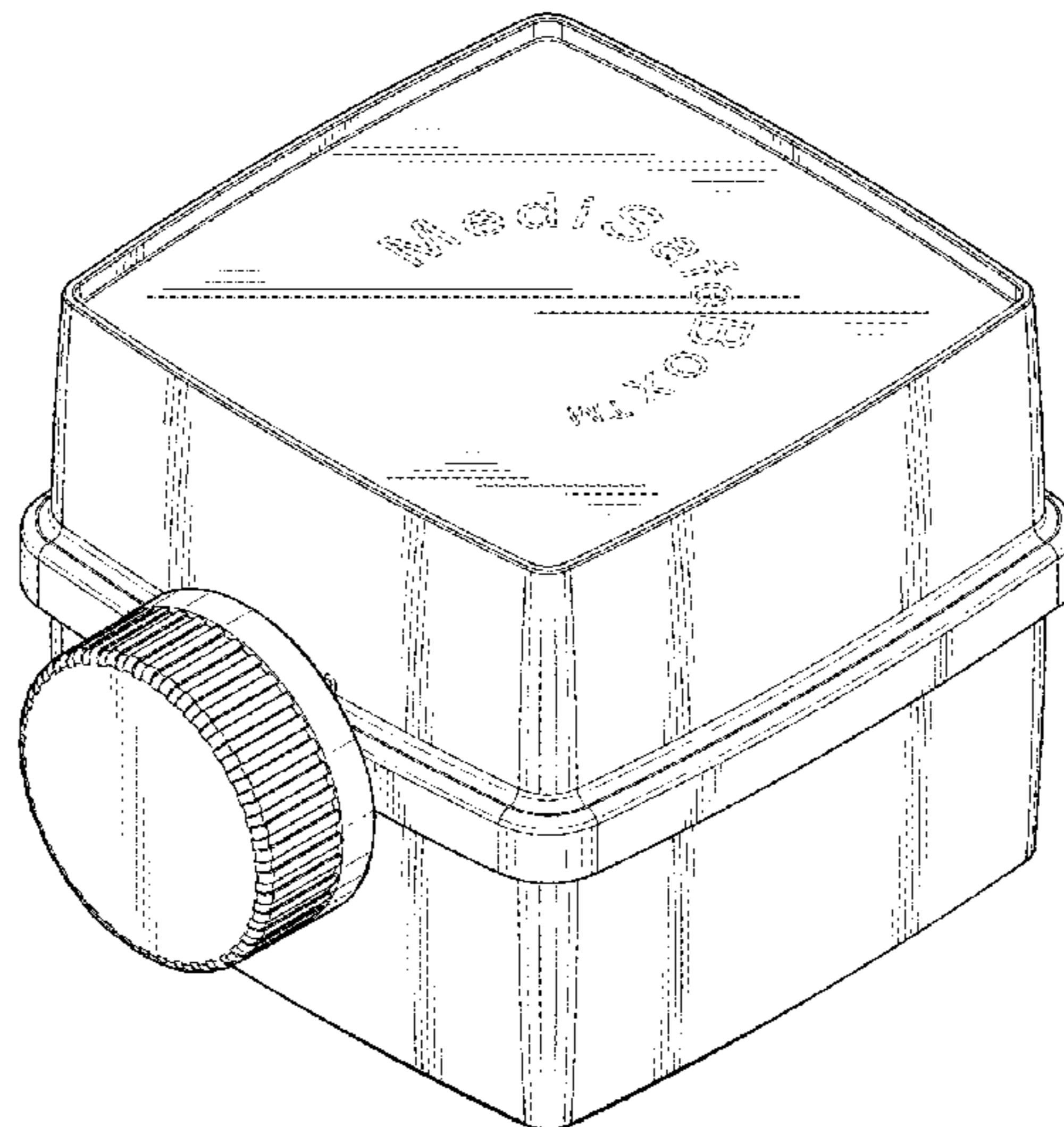
(57) **CLAIM**

An ornamental design for a medical safety container, as shown and described.

**DESCRIPTION**

FIG. 1 is a perspective view from above showing my new design for a medical safety container in an unsecure closed position with the cap lid removed;  
 FIG. 2 is a rear perspective view of FIG. 1;  
 FIG. 3 is a top plan view of FIG. 1;  
 FIG. 4 is a left side plan view of FIG. 1;  
 FIG. 5 is a right side plan view of FIG. 1;  
 FIG. 6 is a bottom plan view of FIG. 1;  
 FIG. 7 is a front plan view of FIG. 1 with the cap lid in an alternate state;  
 FIG. 8 is a rear plan view of FIG. 1 with the cap lid in an alternate state;  
 FIG. 9 is a perspective view from above showing the medical safety container in a secure closed position with the cap lid attached to threaded closure;  
 FIG. 10 is a rear perspective view of FIG. 9;  
 FIG. 11 is a top plan view of FIG. 9;  
 FIG. 12 is a left side plan view of FIG. 9;  
 FIG. 13 is a right side plan view of FIG. 9;  
 FIG. 14 is a bottom plan view of FIG. 9;  
 FIG. 15 is a front plan view of FIG. 9 with cap lid;  
 FIG. 16 is a rear plan view of FIG. 9;  
 FIG. 17 is a perspective view from above showing the medical safety container in an open position;  
 FIG. 18 is a rear perspective view of FIG. 17;  
 FIG. 19 is a top plan view of FIG. 17;  
 FIG. 20 is a front plan view of FIG. 17;  
 FIG. 21 is a rear plan view of FIG. 17;  
 FIG. 22 is a bottom plan view of FIG. 17; and,  
 FIG. 23 is a side plan view of FIG. 17.  
 The broken lines depict portions of the article that form no part of the claimed design.

**1 Claim, 11 Drawing Sheets**



(56)

References Cited

U.S. PATENT DOCUMENTS

|              |      |         |               |       |              |  |  |  |  |
|--------------|------|---------|---------------|-------|--------------|--|--|--|--|
| 4,226,358    | A *  | 10/1980 | Ottow         | ..... | B65D 75/322  |  |  |  |  |
|              |      |         |               |       | 206/526      |  |  |  |  |
| D333,157     | S *  | 2/1993  | Kirchner      | ..... | D19/75       |  |  |  |  |
| D334,499     | S *  | 4/1993  | Meisner       | ..... | D3/302       |  |  |  |  |
| 5,782,358    | A *  | 7/1998  | Walker        | ..... | B65D 21/0231 |  |  |  |  |
|              |      |         |               |       | 206/509      |  |  |  |  |
| D414,969     | S *  | 10/1999 | Marino        | ..... | D6/515       |  |  |  |  |
| D419,803     | S *  | 2/2000  | van Bakel     | ..... | D6/512       |  |  |  |  |
| D425,294     | S *  | 5/2000  | Haverstick    | ..... | D3/203.1     |  |  |  |  |
| D473,789     | S *  | 4/2003  | Crawford      | ..... | D9/430       |  |  |  |  |
| D481,640     | S *  | 11/2003 | Biesecker     | ..... | D9/560       |  |  |  |  |
| D484,646     | S *  | 12/2003 | Ditrichstein  | ..... | D28/83       |  |  |  |  |
| D494,476     | S *  | 8/2004  | Cwynar-Laska  | ..... | D9/560       |  |  |  |  |
| D525,714     | S *  | 7/2006  | Ueda          | ..... | D24/227      |  |  |  |  |
| D531,514     | S *  | 11/2006 | Harris        | ..... | D21/499      |  |  |  |  |
| D561,989     | S *  | 2/2008  | Jones         | ..... | D3/201       |  |  |  |  |
| D604,605     | S *  | 11/2009 | Chung         | ..... | D9/432       |  |  |  |  |
| D612,148     | S *  | 3/2010  | Treece        | ..... | D3/203.1     |  |  |  |  |
| D625,911     | S *  | 10/2010 | Lee           | ..... | D3/203.2     |  |  |  |  |
| D631,649     | S *  | 2/2011  | Patenaude     | ..... | D3/203.1     |  |  |  |  |
| D636,265     | S *  | 4/2011  | Gartner       | ..... | D9/446       |  |  |  |  |
| D646,119     | S *  | 10/2011 | Deuber        | ..... | D7/400       |  |  |  |  |
| D655,079     | S *  | 3/2012  | Patenaude     | ..... | D3/203.1     |  |  |  |  |
| D663,111     | S *  | 7/2012  | Paslawski     | ..... | D3/203.2     |  |  |  |  |
| D666,495     | S *  | 9/2012  | Biesecker     | ..... | D9/445       |  |  |  |  |
| D731,309     | S *  | 6/2015  | Lee           | ..... | D9/432       |  |  |  |  |
| D733,317     | S *  | 6/2015  | Lui           | ..... | D24/227      |  |  |  |  |
| D741,058     | S *  | 10/2015 | Wiederman     | ..... | D3/203.2     |  |  |  |  |
| D742,593     | S *  | 11/2015 | Corey         | ..... | D28/83       |  |  |  |  |
| D746,483     | S *  | 12/2015 | Brandenburger | ..... | D24/224      |  |  |  |  |
| D747,606     | S *  | 1/2016  | Serell        | ..... | D3/203.2     |  |  |  |  |
| D748,280     | S *  | 1/2016  | Lui           | ..... | D24/227      |  |  |  |  |
| D748,468     | S *  | 2/2016  | Angeloni      | ..... | D9/420       |  |  |  |  |
| 2002/0121449 | A1 * | 9/2002  | Bowie         | ..... | A46B 17/02   |  |  |  |  |
|              |      |         |               |       | 206/362      |  |  |  |  |
| 2002/0166835 | A1 * | 11/2002 | Carter        | ..... | B65D 51/28   |  |  |  |  |
|              |      |         |               |       | 215/227      |  |  |  |  |
| 2010/0308058 | A1 * | 12/2010 | Moskow        | ..... | B65D 83/0011 |  |  |  |  |
|              |      |         |               |       | 220/524      |  |  |  |  |
| 2015/0008152 | A1 * | 1/2015  | Xu            | ..... | A61J 1/03    |  |  |  |  |
|              |      |         |               |       | 206/538      |  |  |  |  |

\* cited by examiner

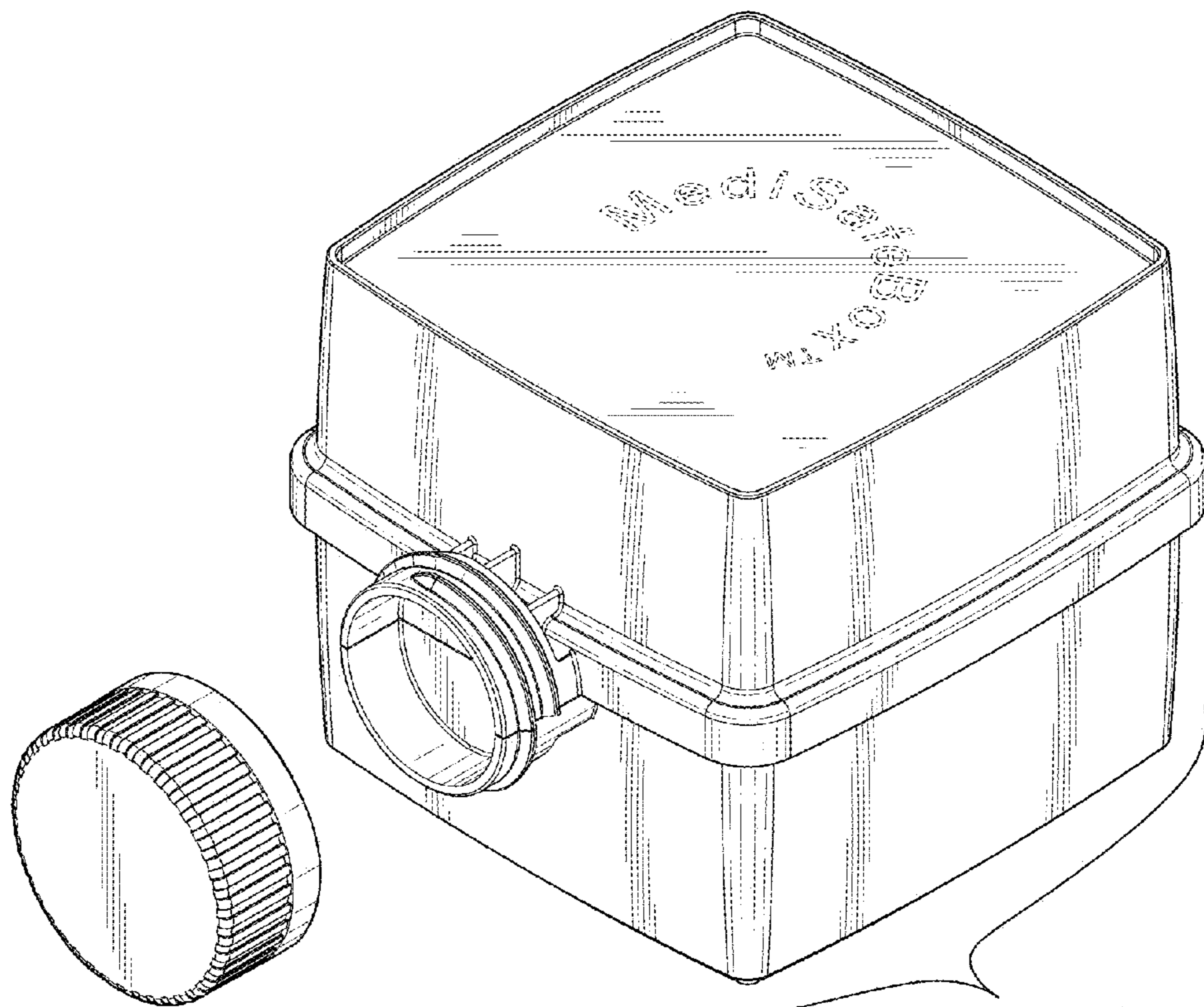


FIG. 1

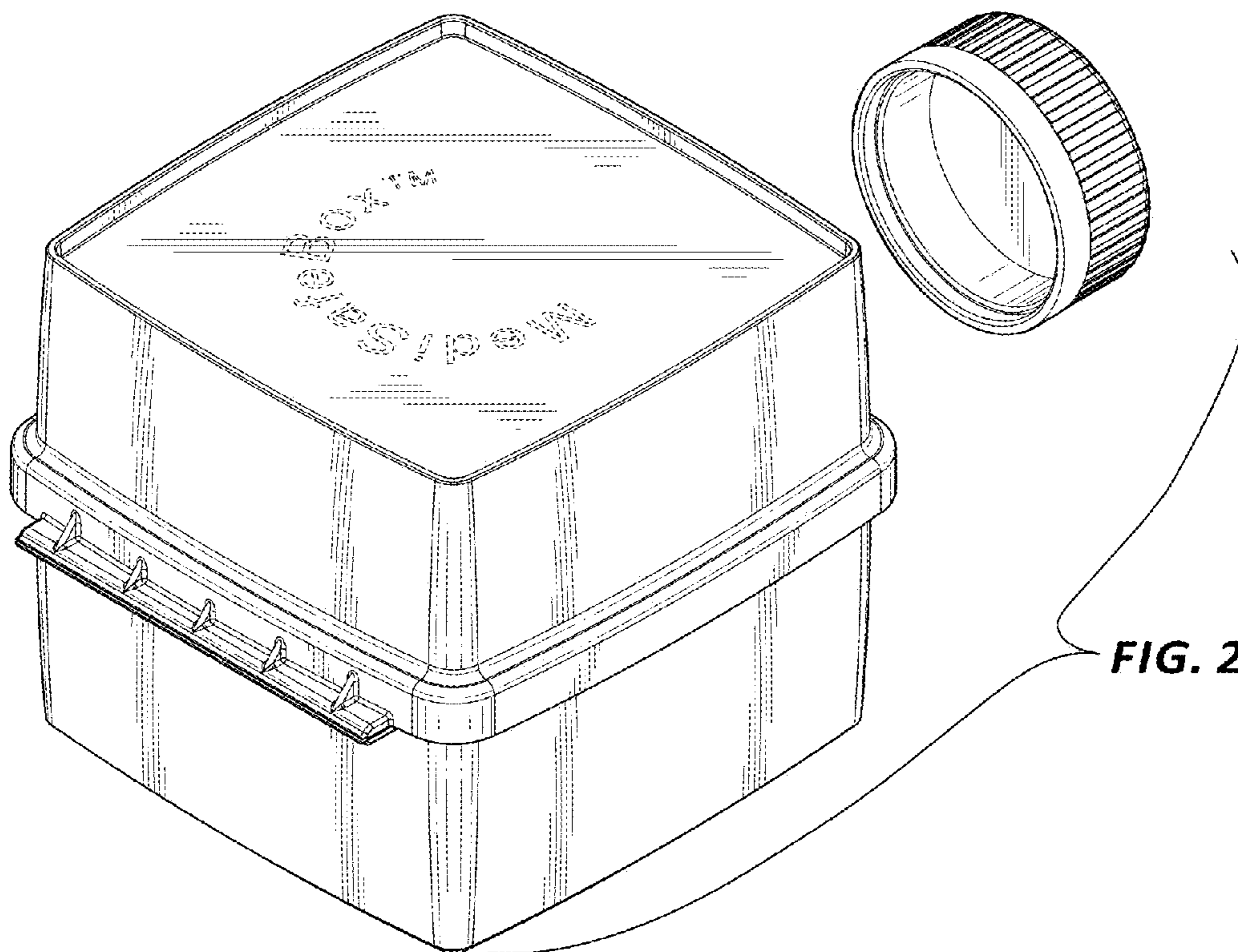


FIG. 2

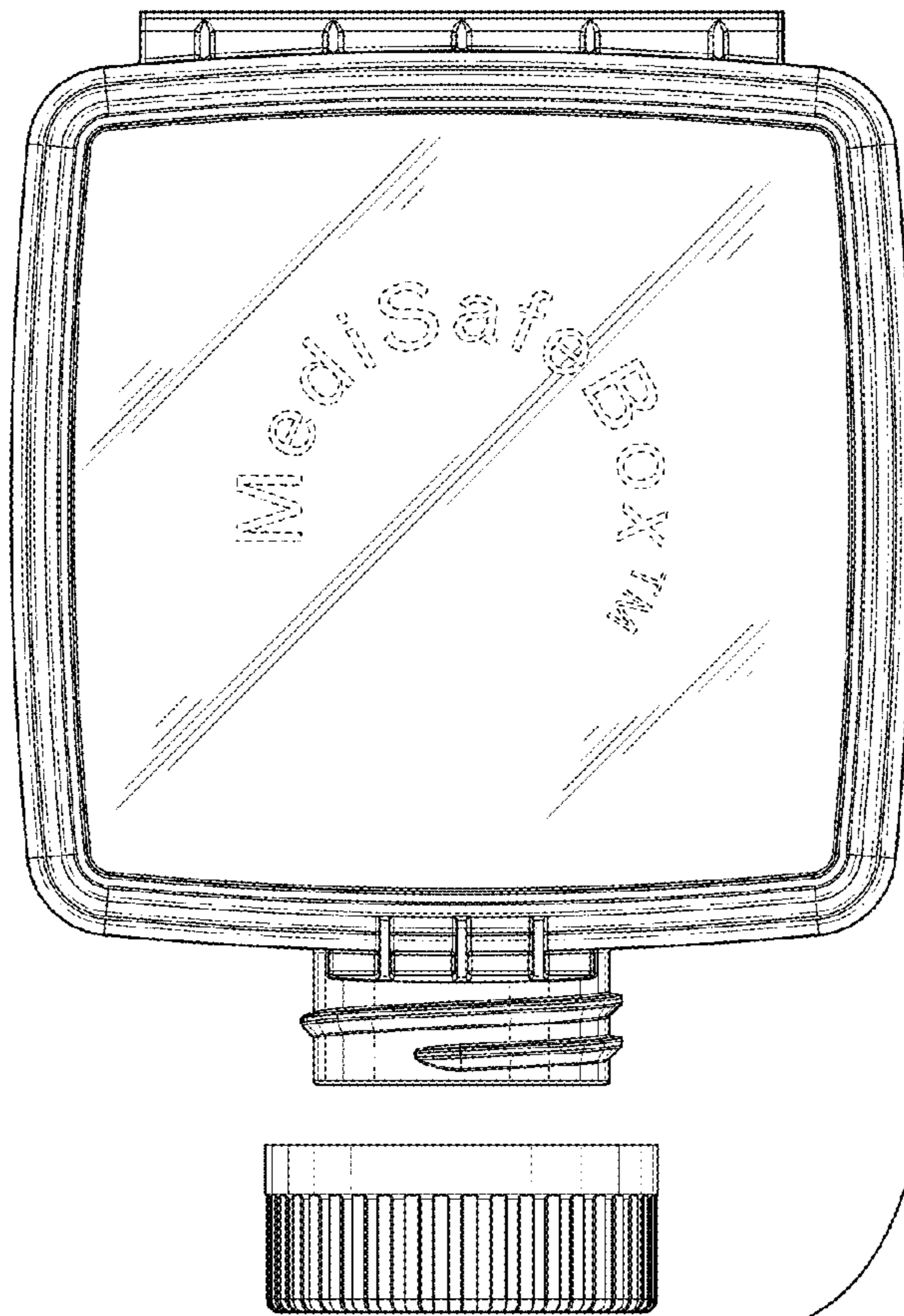


FIG. 3

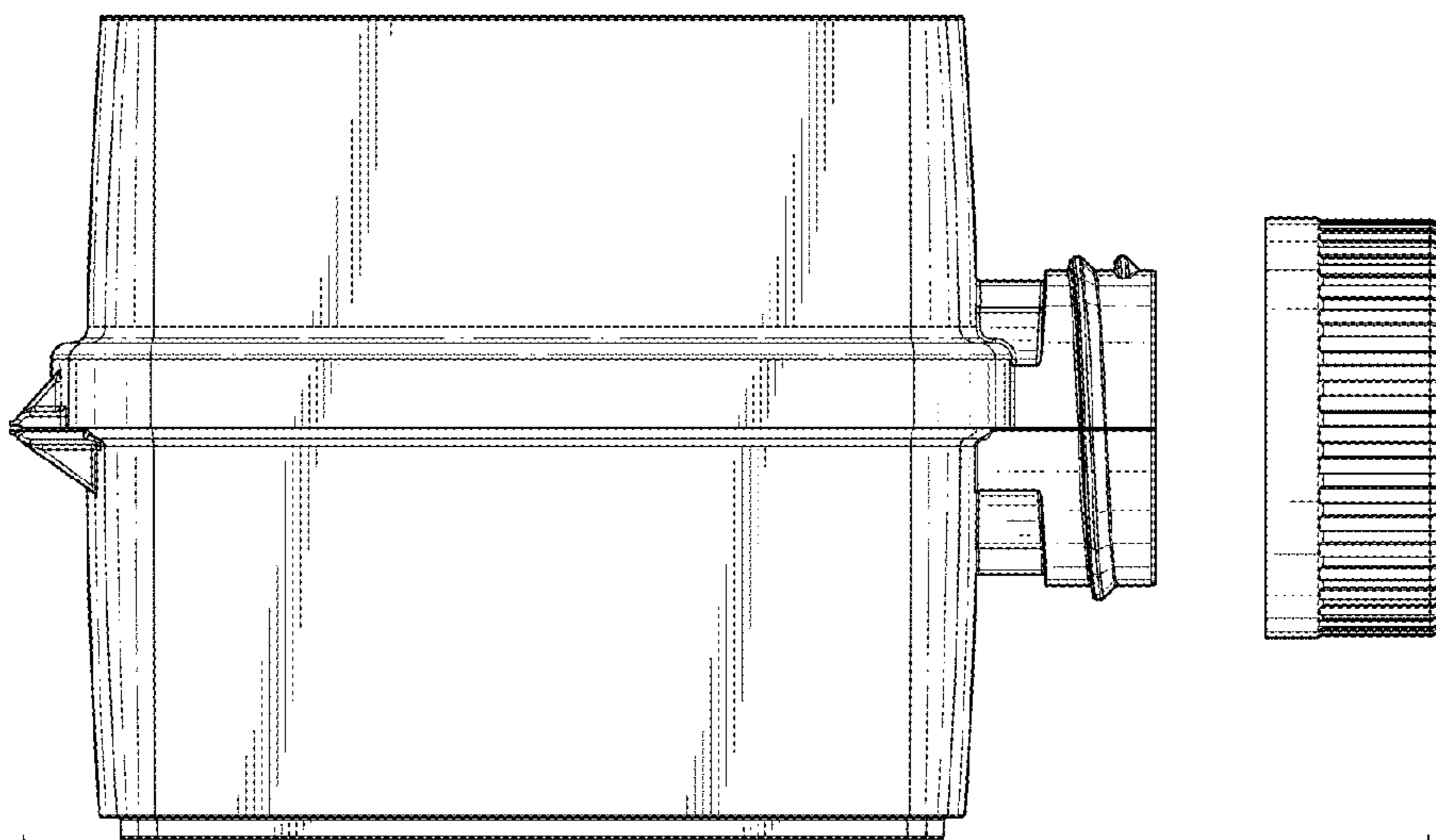
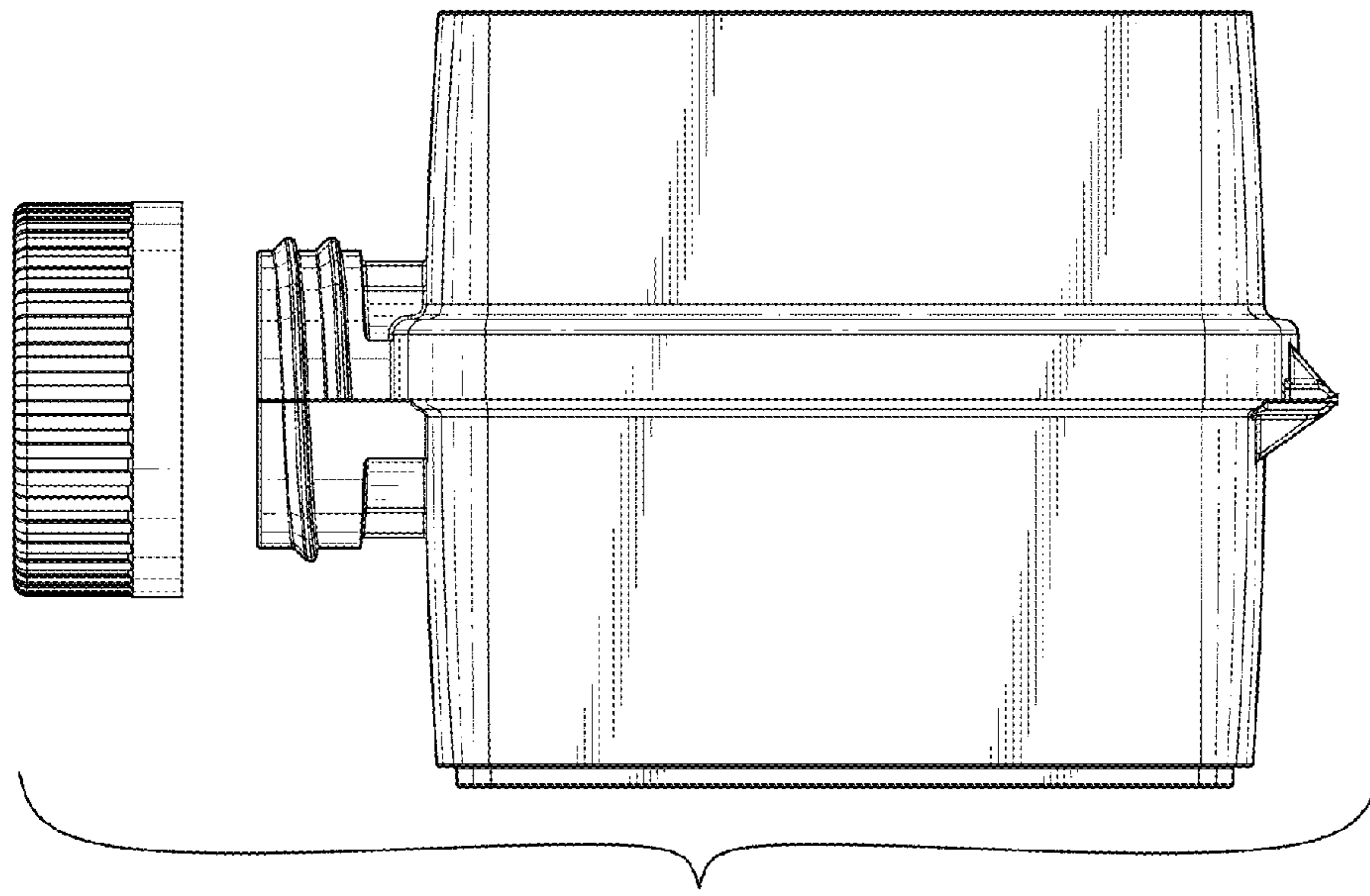
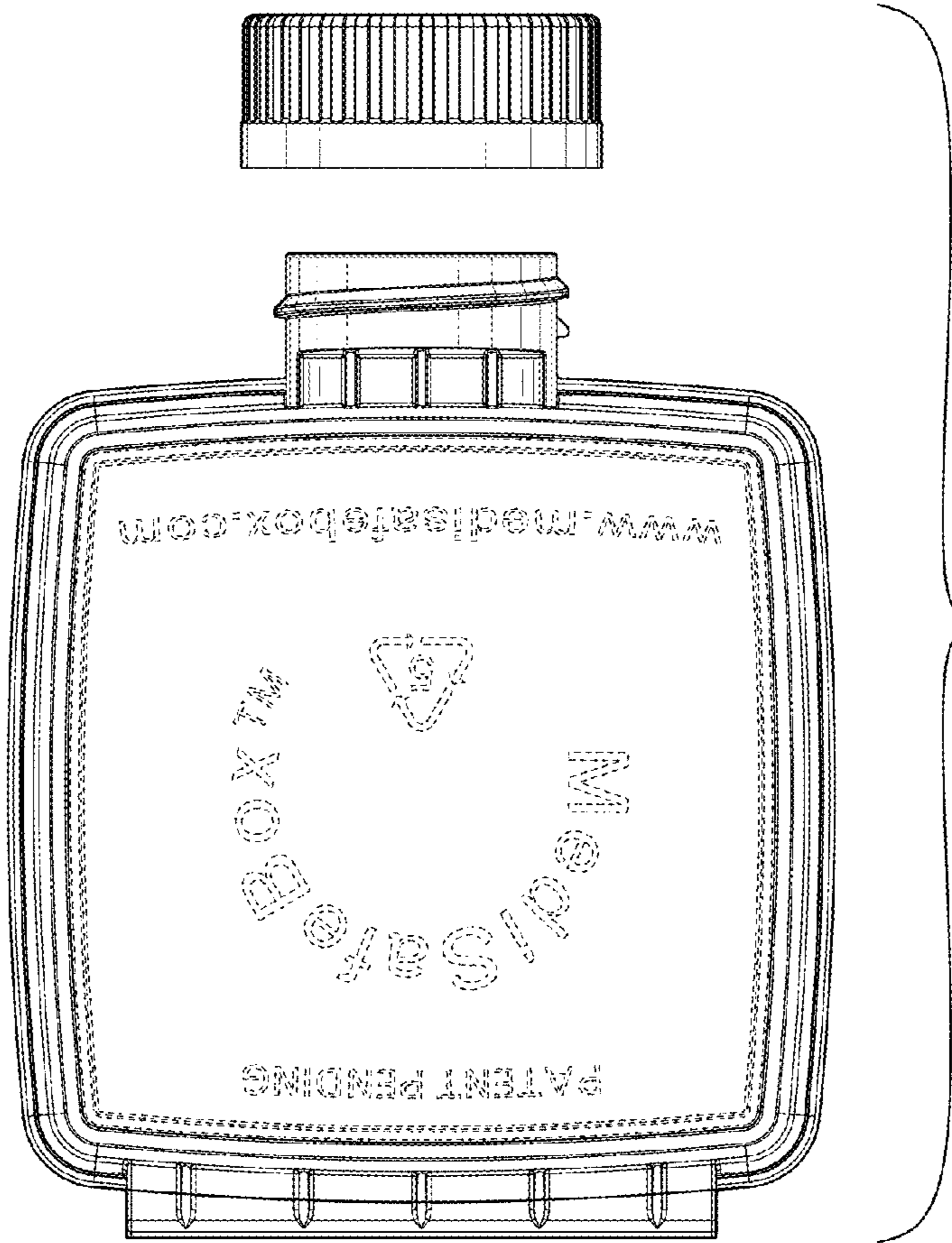


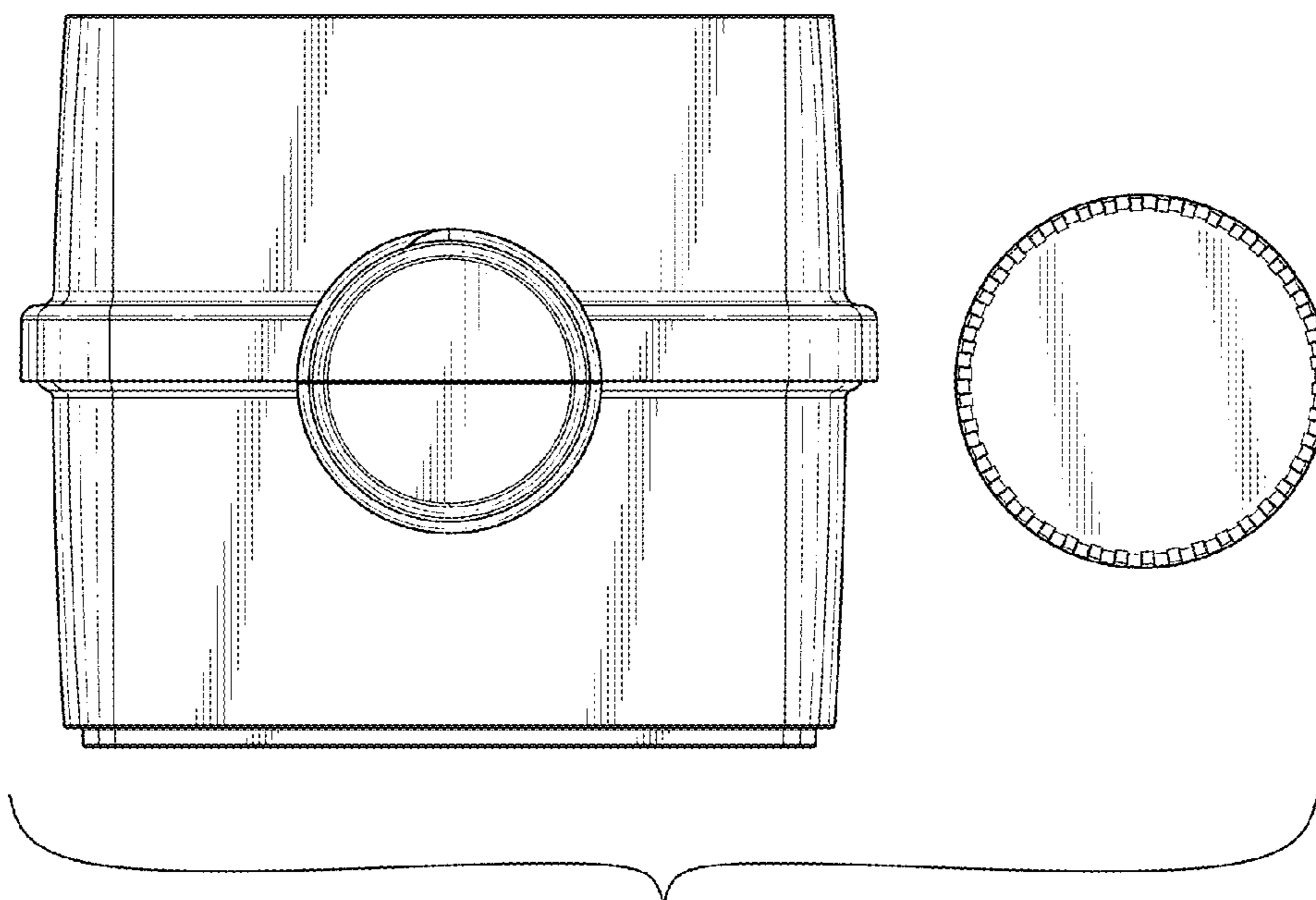
FIG. 4



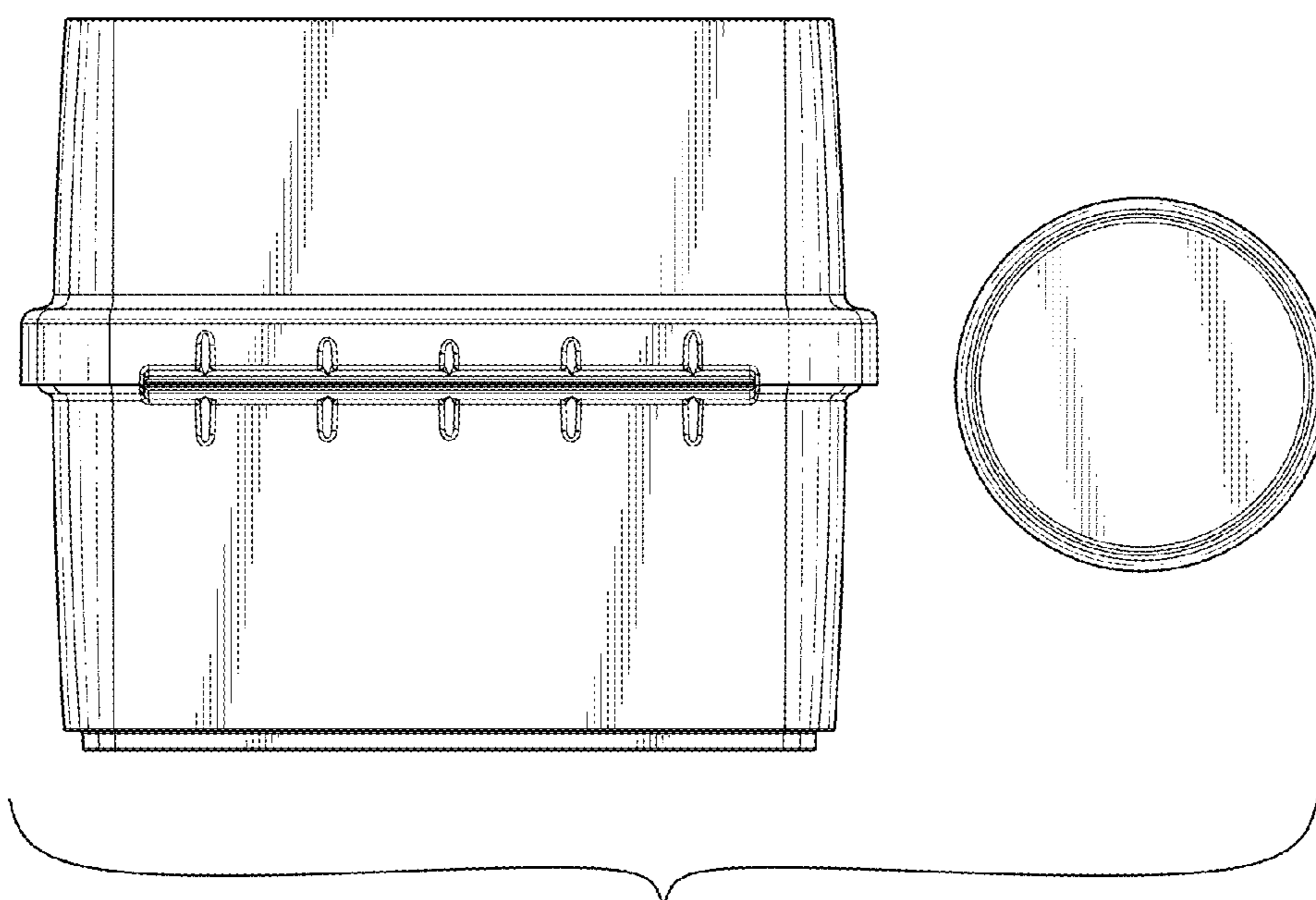
**FIG. 5**



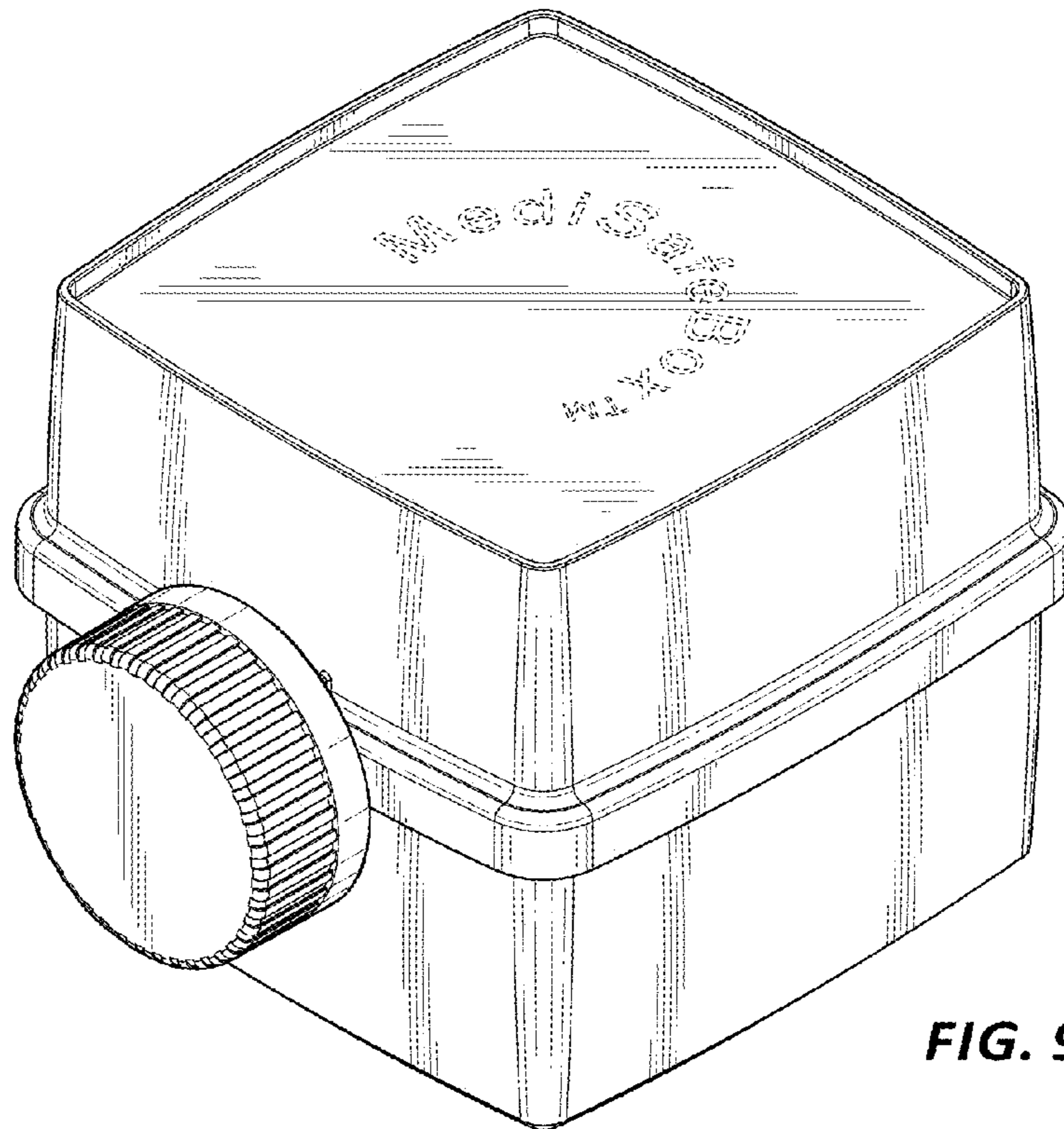
**FIG. 6**



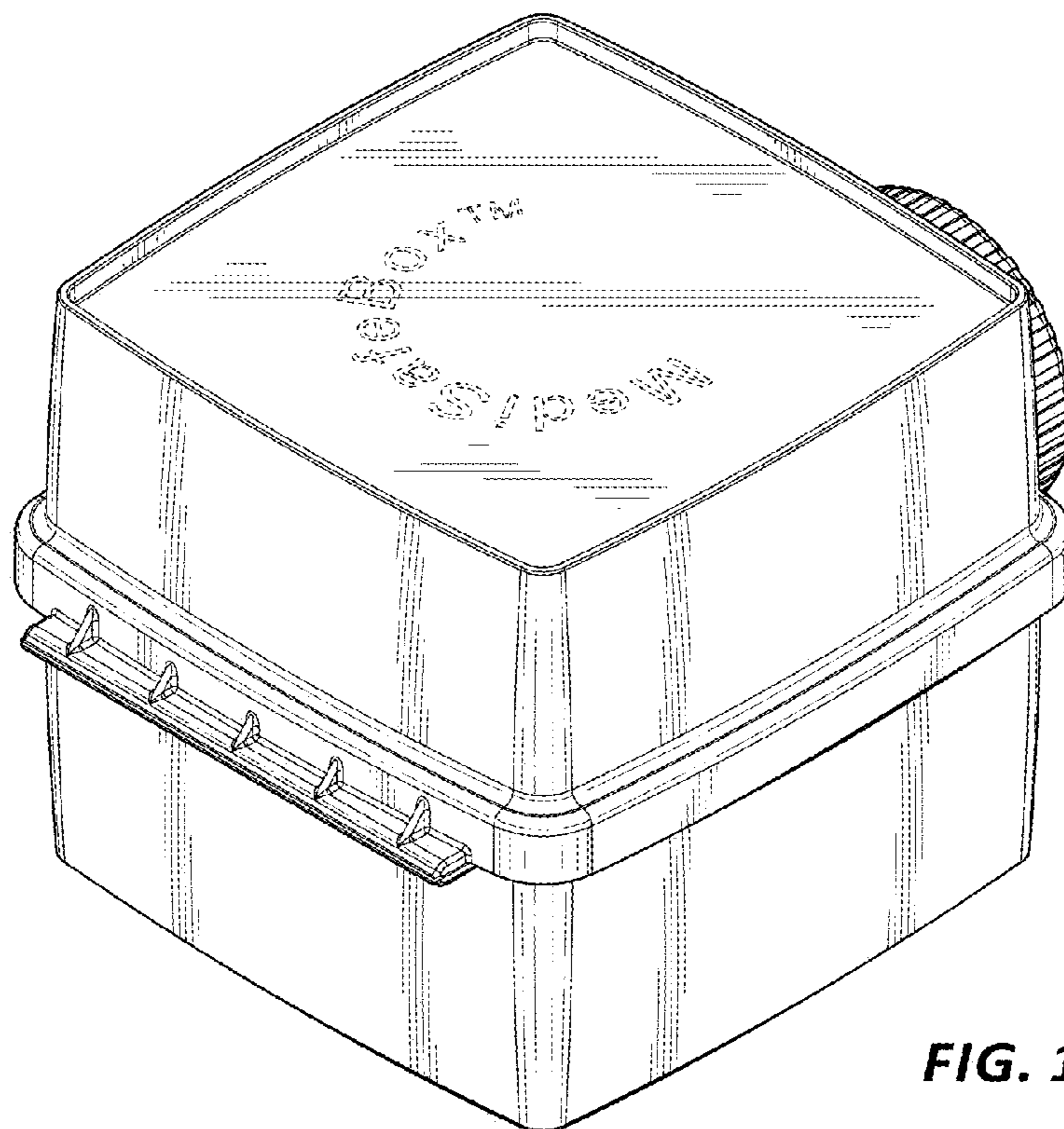
**FIG. 7**



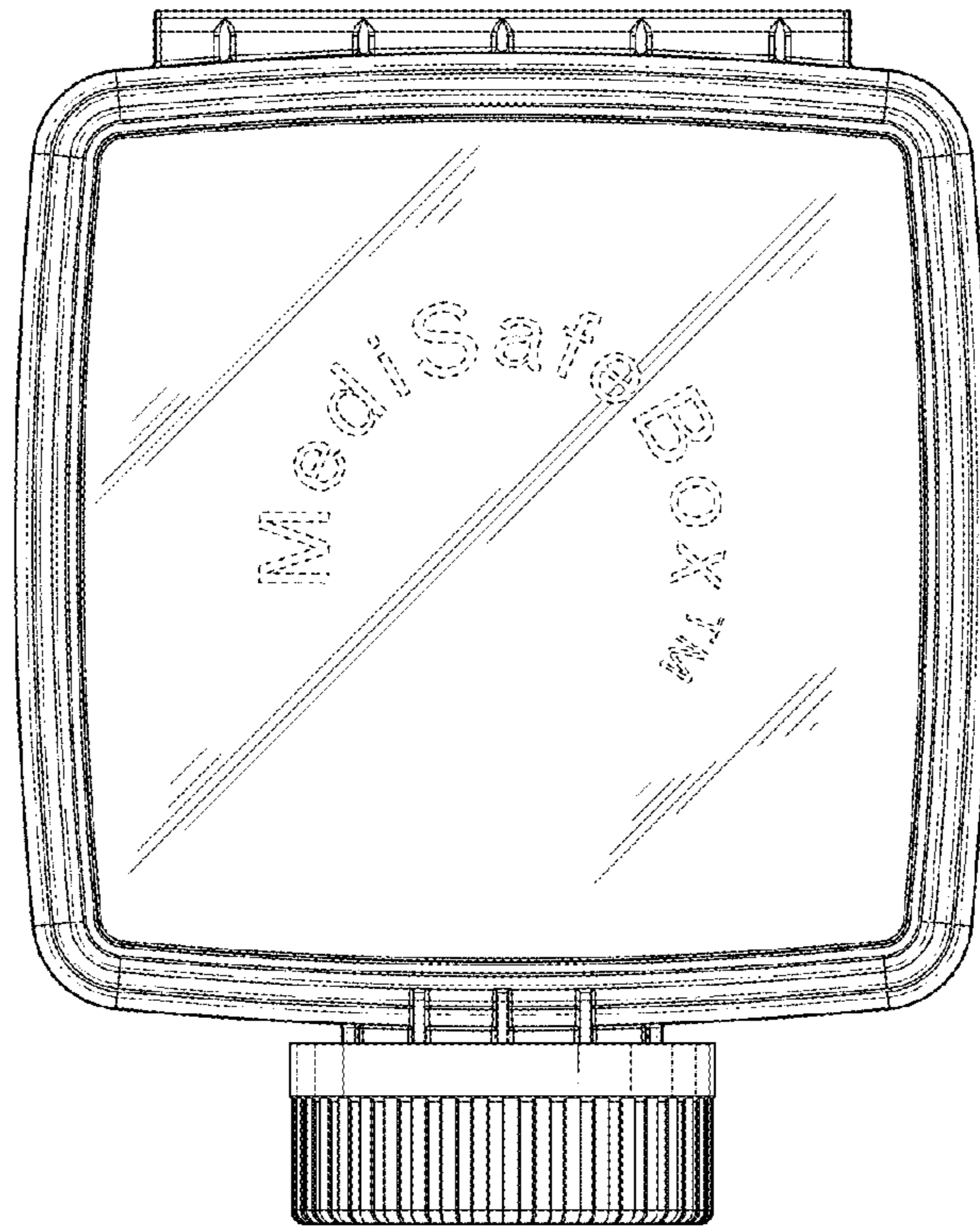
**FIG. 8**



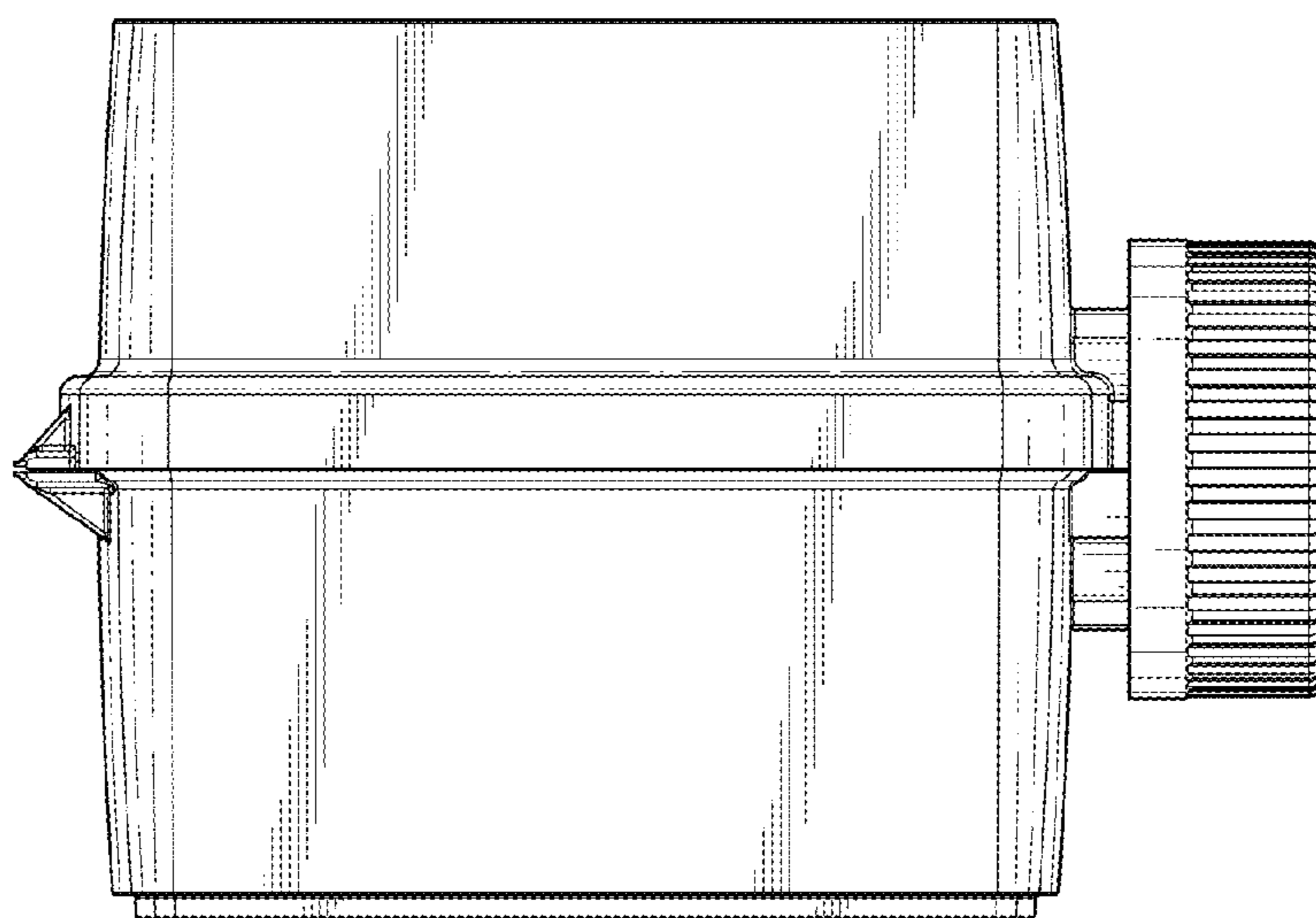
**FIG. 9**



**FIG. 10**

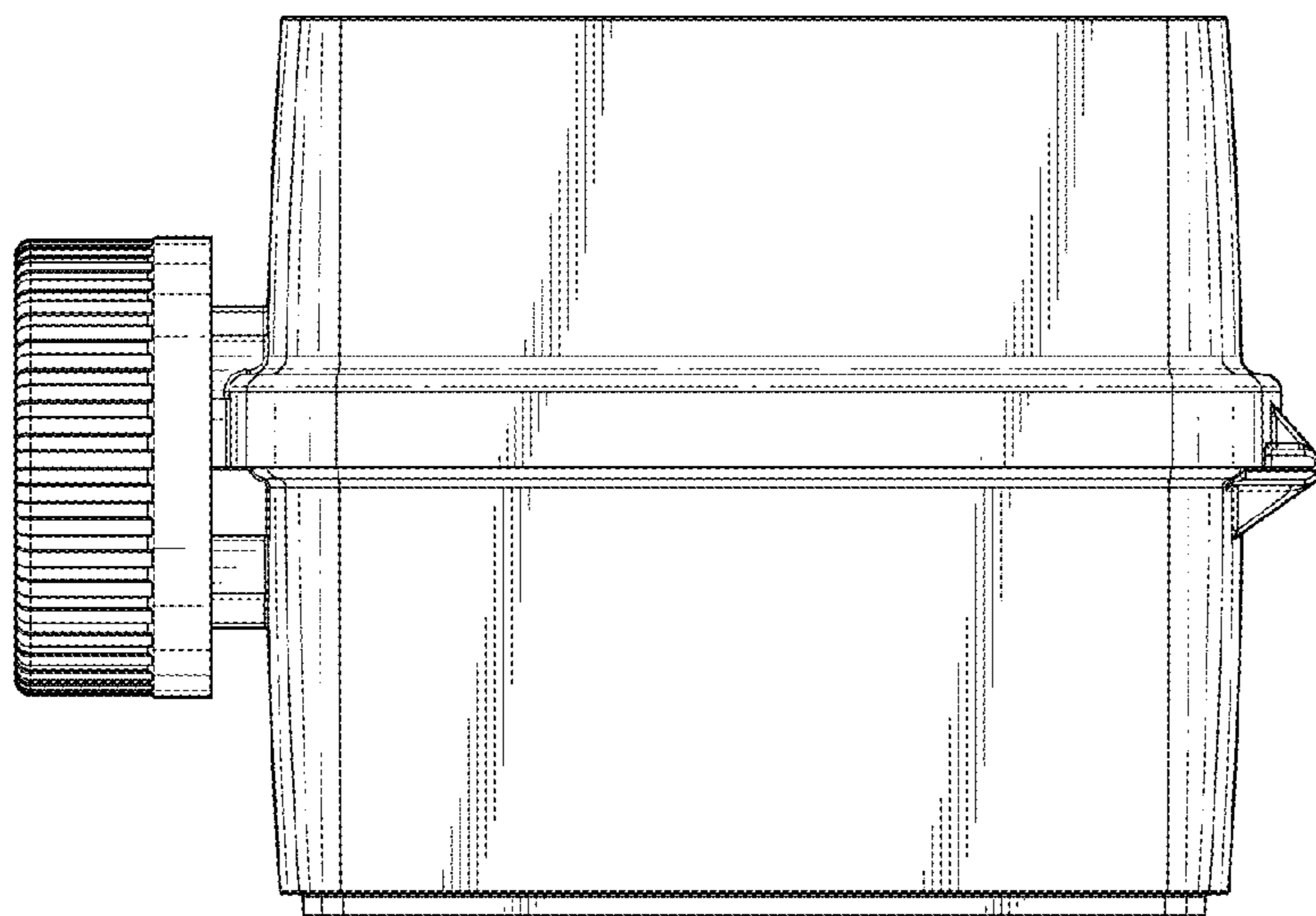


**FIG. 11**



**FIG. 12**

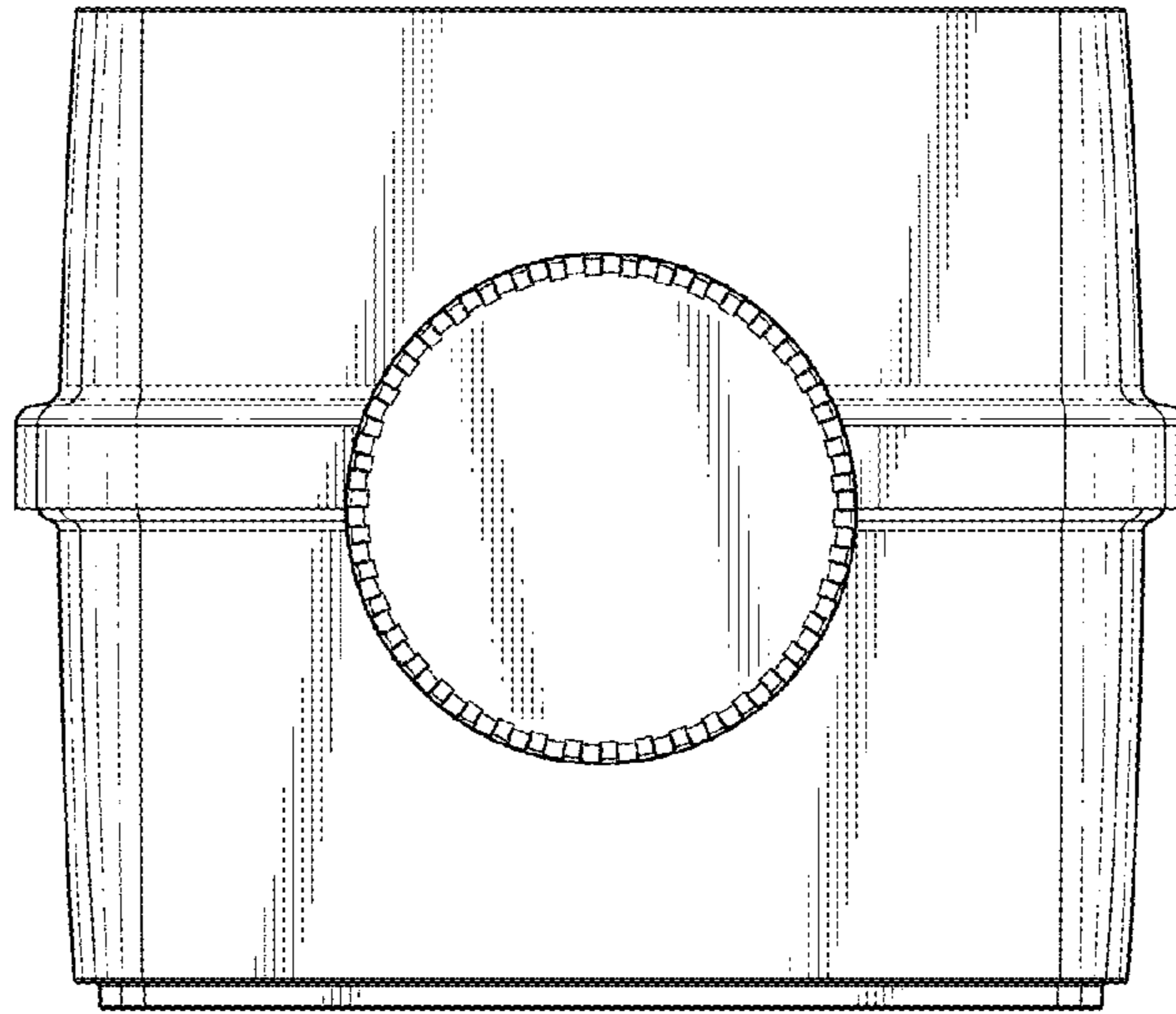




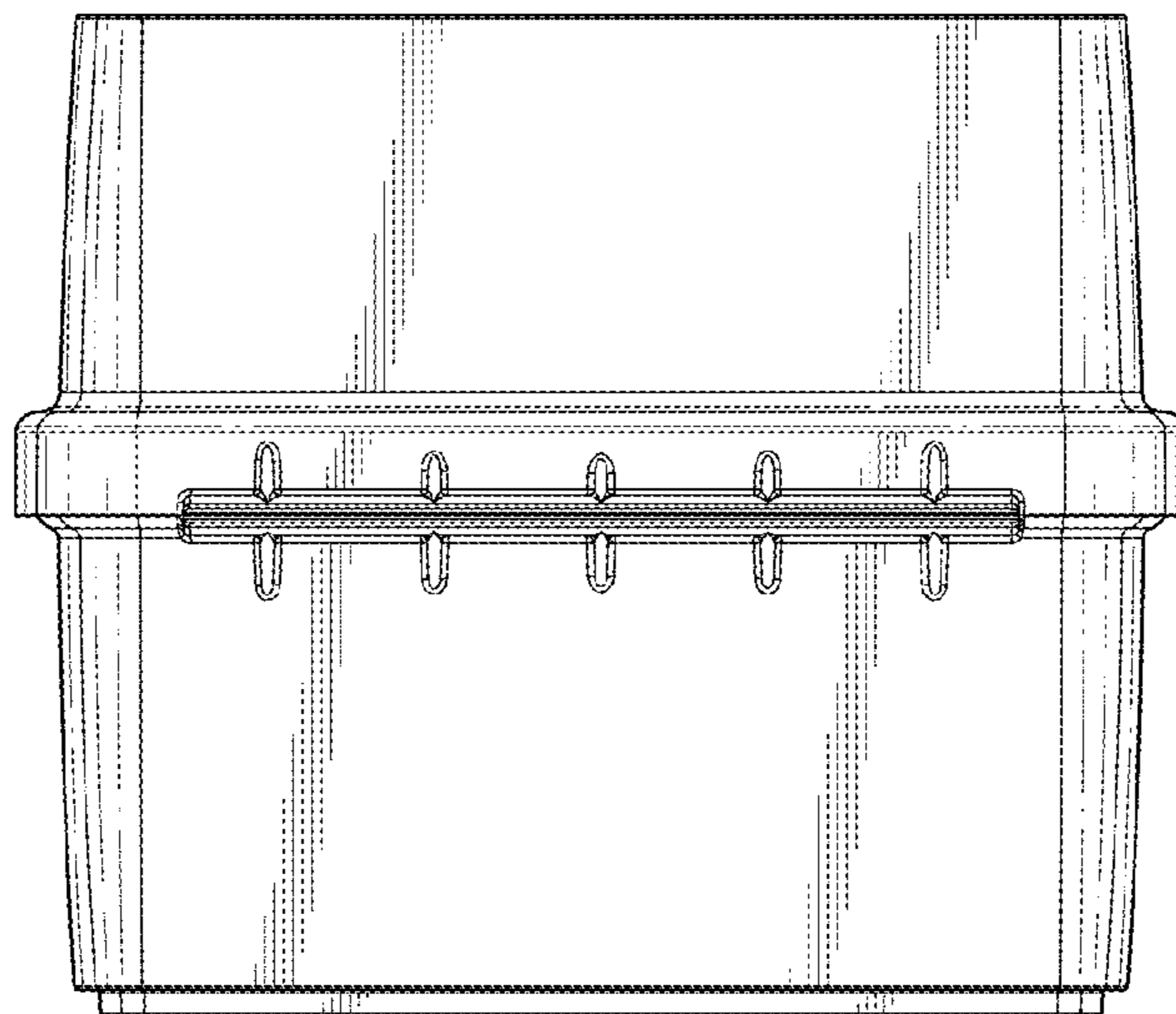
**FIG. 13**



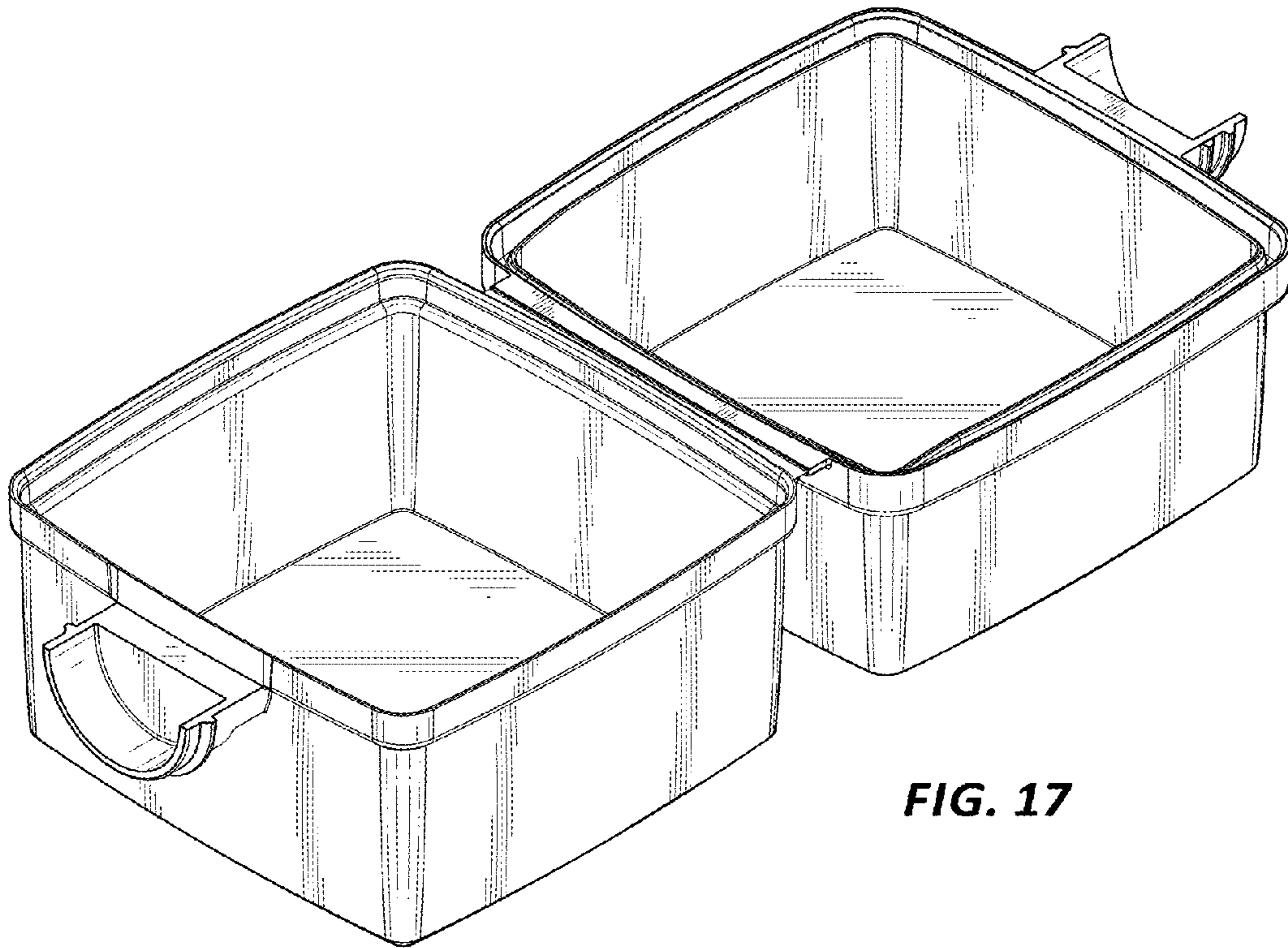
**FIG. 14**



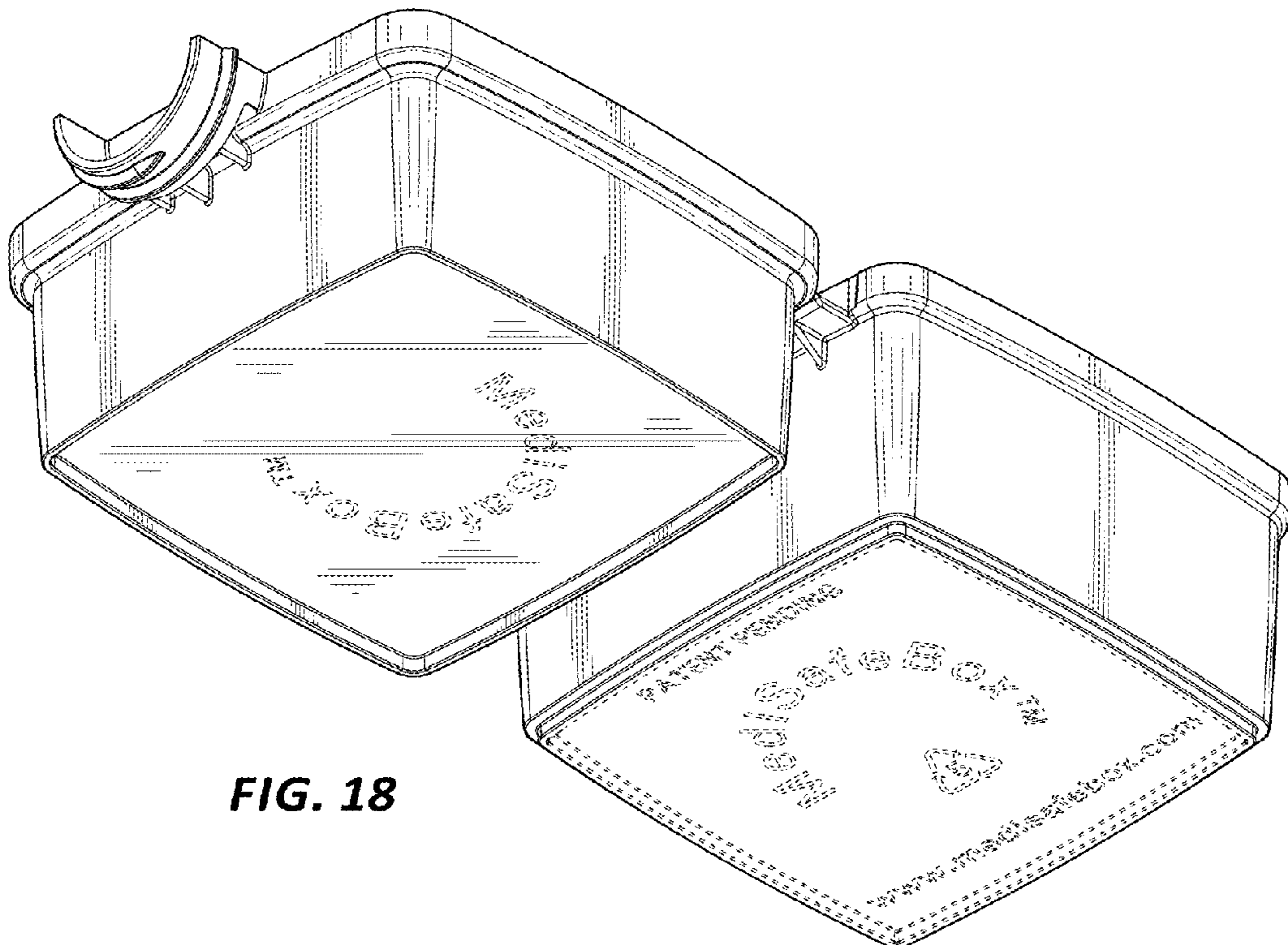
**FIG. 15**



**FIG. 16**



**FIG. 17**



**FIG. 18**

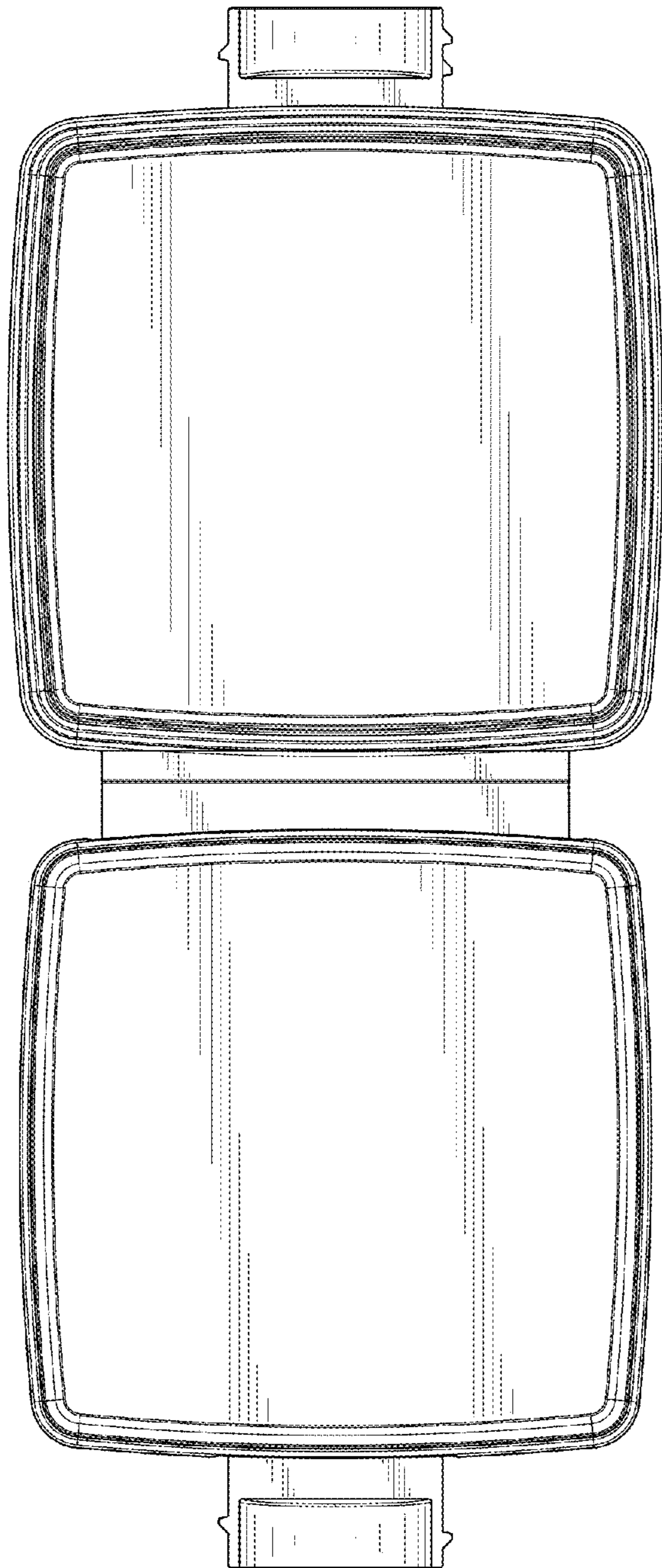


FIG. 19

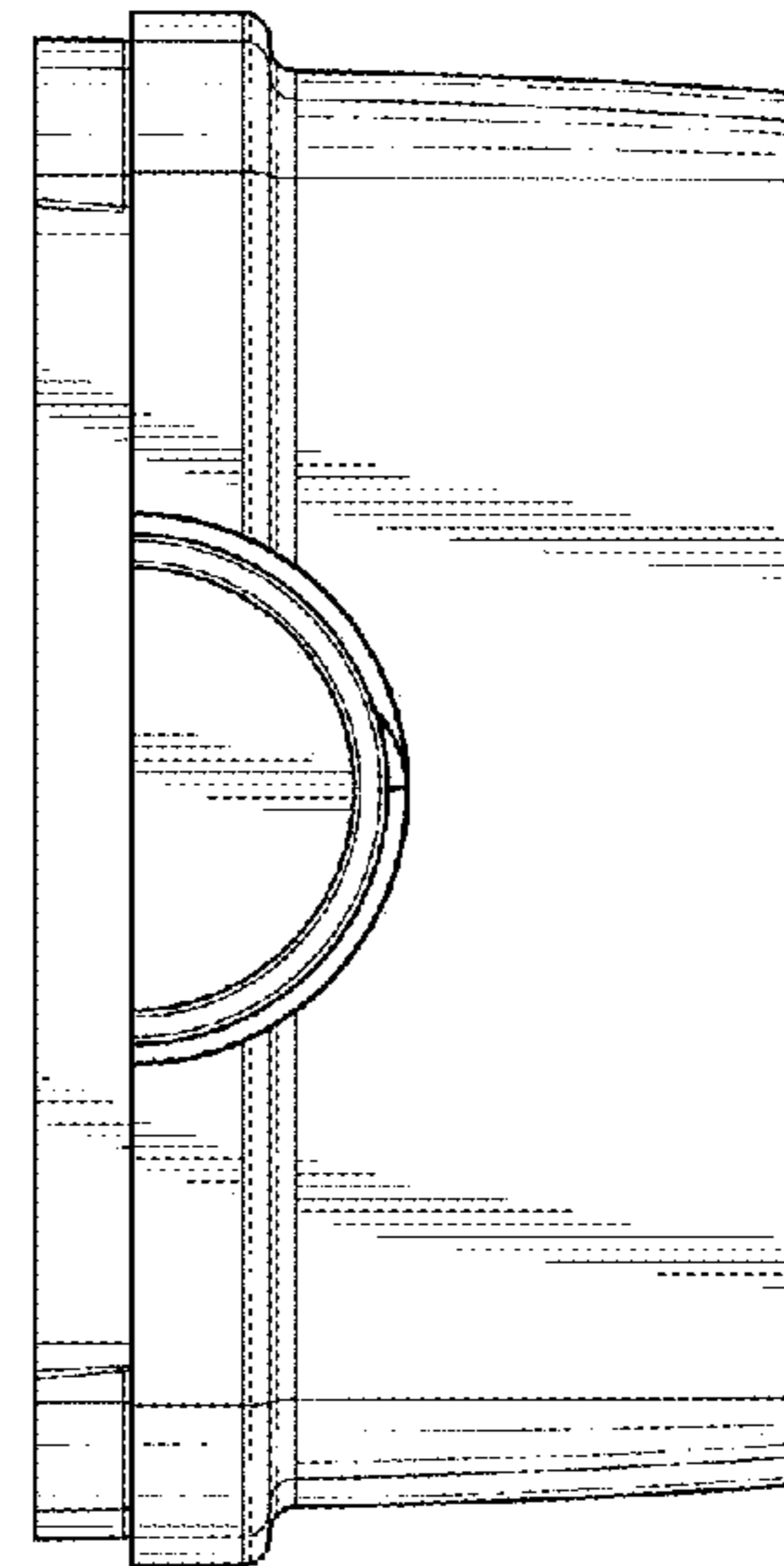


FIG. 21

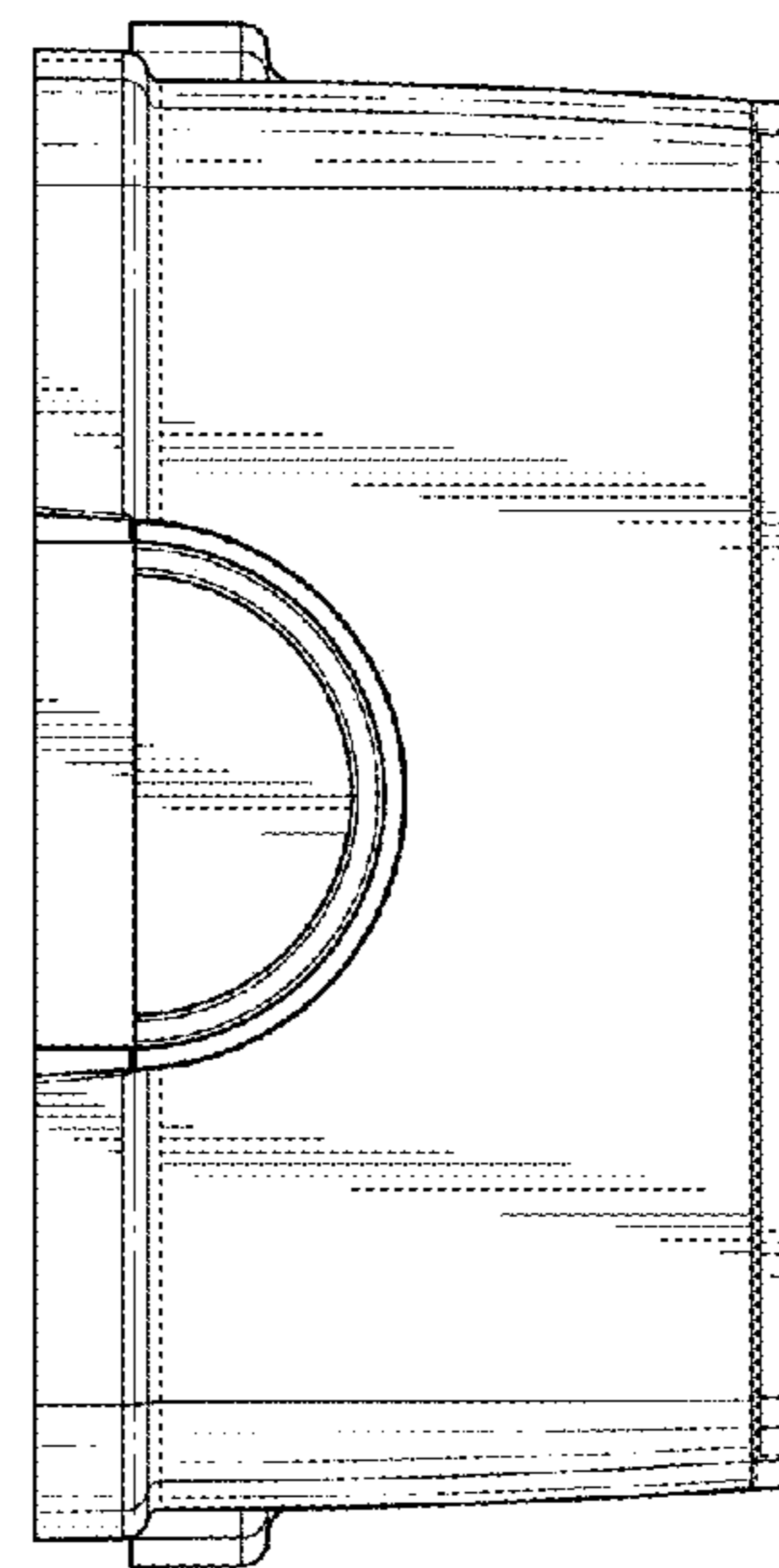


FIG. 20

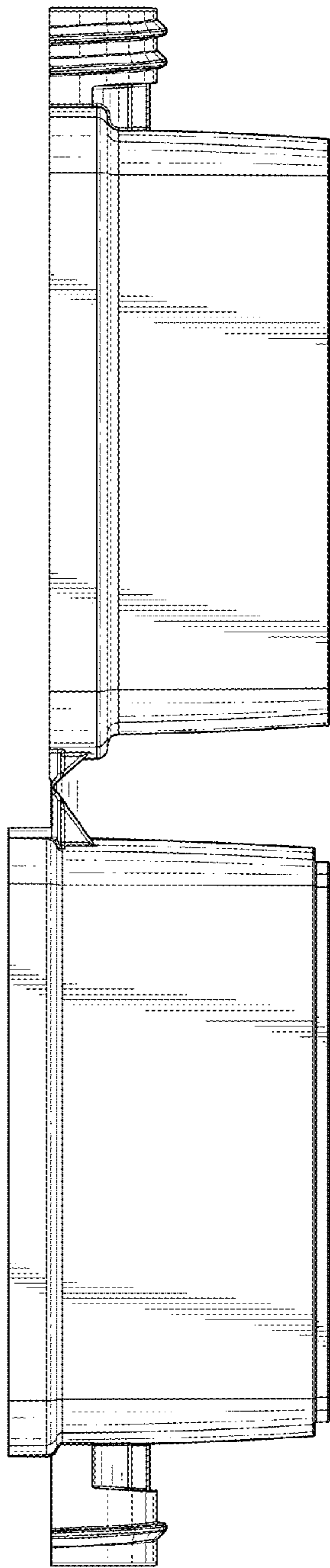


FIG. 22

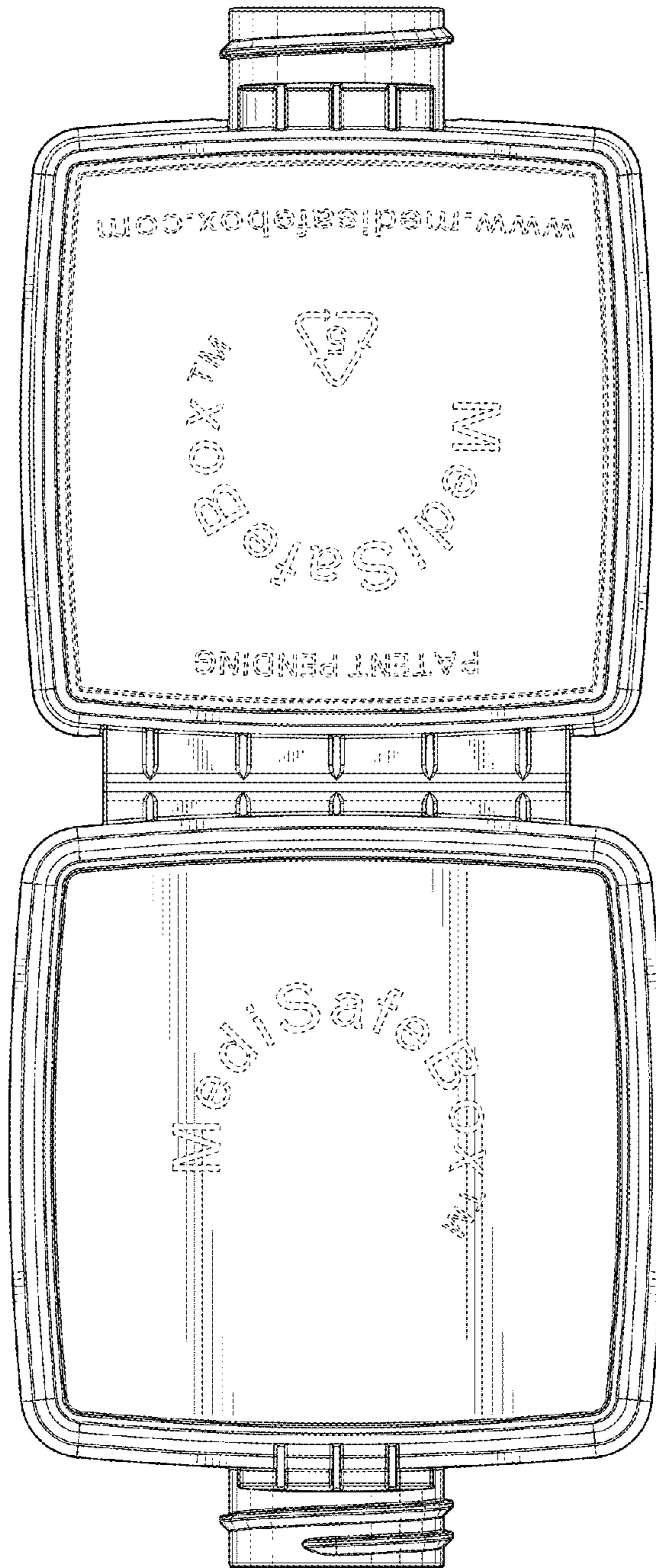


FIG. 23