



US00D761001S

(12) **United States Design Patent**  
**Kouns et al.**

(10) **Patent No.:** **US D761,001 S**  
(45) **Date of Patent:** **\*\* Jul. 12, 2016**

- (54) **HAT CLIP**
- (71) Applicants: **Steve Kouns**, Lebanon, IN (US); **John Kouns**, Lebanon, IN (US); **Brian King**, Lebanon, IN (US)
- (72) Inventors: **Steve Kouns**, Lebanon, IN (US); **John Kouns**, Lebanon, IN (US); **Brian King**, Lebanon, IN (US)
- (\*\*) Term: **15 Years**
- (21) Appl. No.: **29/531,838**
- (22) Filed: **Jun. 30, 2015**
- (51) **LOC (10) Cl.** ..... **02-03**
- (52) **U.S. Cl.**  
USPC ..... **D2/895**
- (58) **Field of Classification Search**  
USPC ..... D2/865, 866, 872, 875, 876, 877, 878, D2/879, 880, 881, 882, 883, 884, 885, 886, D2/887, 888, 891, 893, 895; D6/315, 323, D6/325, 328; D8/38; D11/200, 201, 204, D11/207, 214, 215, 222  
CPC ..... A42B 1/00; A42B 1/004; A42B 1/24; A42B 3/04; A44B 9/00; A44B 9/02; A44B 9/04; A44B 9/06; A45F 5/06  
See application file for complete search history.

(56) **References Cited**

**U.S. PATENT DOCUMENTS**

857,838	A	6/1907	Shaw	
3,373,444	A	3/1968	Militello	
4,179,753	A	12/1979	Aronberg et al.	
5,052,054	A	10/1991	Birum	
5,066,154	A	11/1991	Renaud	
5,373,583	A	12/1994	Birum	
5,860,167	A	1/1999	Lizio	
5,867,874	A	2/1999	Simpson	
D407,537	S *	4/1999	Simpson	D2/865
D412,611	S *	8/1999	Simpson	D2/891
5,933,871	A	8/1999	Kraft	
5,940,891	A	8/1999	Lane	
6,298,495	B1	10/2001	Totani	
6,357,642	B1 *	3/2002	Marchessault	A42B 1/24 2/209.13

6,397,396	B1	6/2002	Vibert	
D461,746	S *	8/2002	Olson	D11/201
6,481,059	B2	11/2002	Morris	
6,618,907	B2	9/2003	Morris	
6,637,074	B1	10/2003	Morris	
6,644,807	B1	11/2003	Hood	
6,647,554	B1	11/2003	Yan	
6,671,885	B2	1/2004	Viggiano	
6,688,505	B1 *	2/2004	Bradley	A45F 5/02 224/194
6,691,374	B2 *	2/2004	Coyne	A45F 5/02 24/3.1
6,694,526	B1 *	2/2004	Tate	A42B 1/24 2/209.12
6,792,619	B1	9/2004	Morris et al.	
D503,261	S	3/2005	Pedersen	

(Continued)

*Primary Examiner* — Karen E. Eldridge Powers

*Assistant Examiner* — Jasmine Mlinarcik

(74) *Attorney, Agent, or Firm* — Woodard, Emhardt, Moriarty, McNett & Henry LLP

(57) **CLAIM**

The ornamental design for a hat clip, as shown and described.

**DESCRIPTION**

FIG. 1 is a perspective view showing the hat clip of the current design as it may appear when in use; the baseball cap and sunglasses shown in broken lines are environmental structure that forms no part of the claimed design;

FIG. 2 is a further perspective view showing the hat clip of the current design; the clip receiver shown in broken lines is environmental structure that forms no part of the claimed design;

FIG. 3 is a perspective view of the hat clip showing our new design;

FIG. 4 is a front elevational view thereof;

FIG. 5 is a back elevational view thereof;

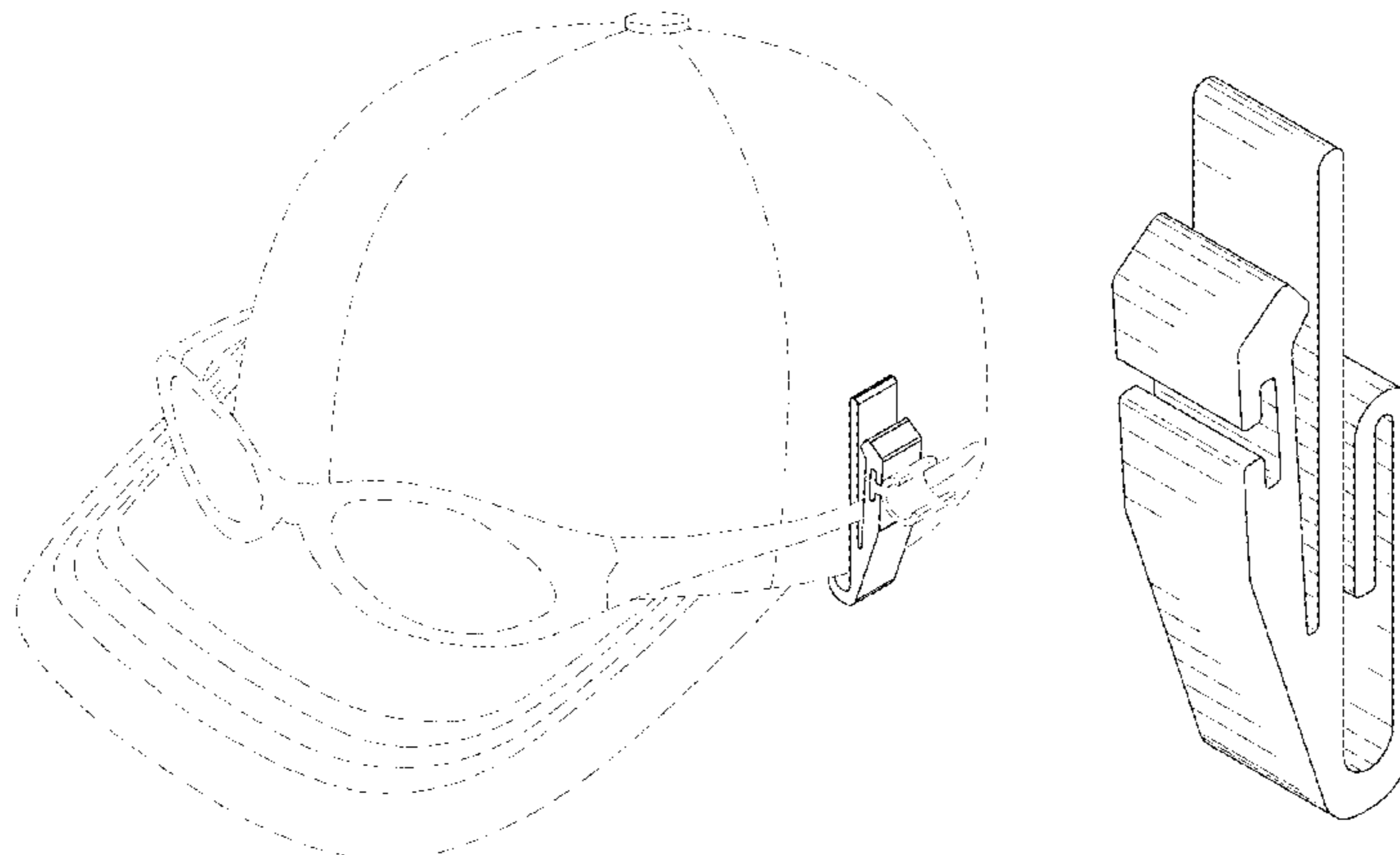
FIG. 6 is a left side elevational view thereof;

FIG. 7 is a right side elevational view thereof;

FIG. 8 is a top plan view thereof; and,

FIG. 9 is a bottom plan view thereof.

**1 Claim, 3 Drawing Sheets**



# US D761,001 S

Page 2

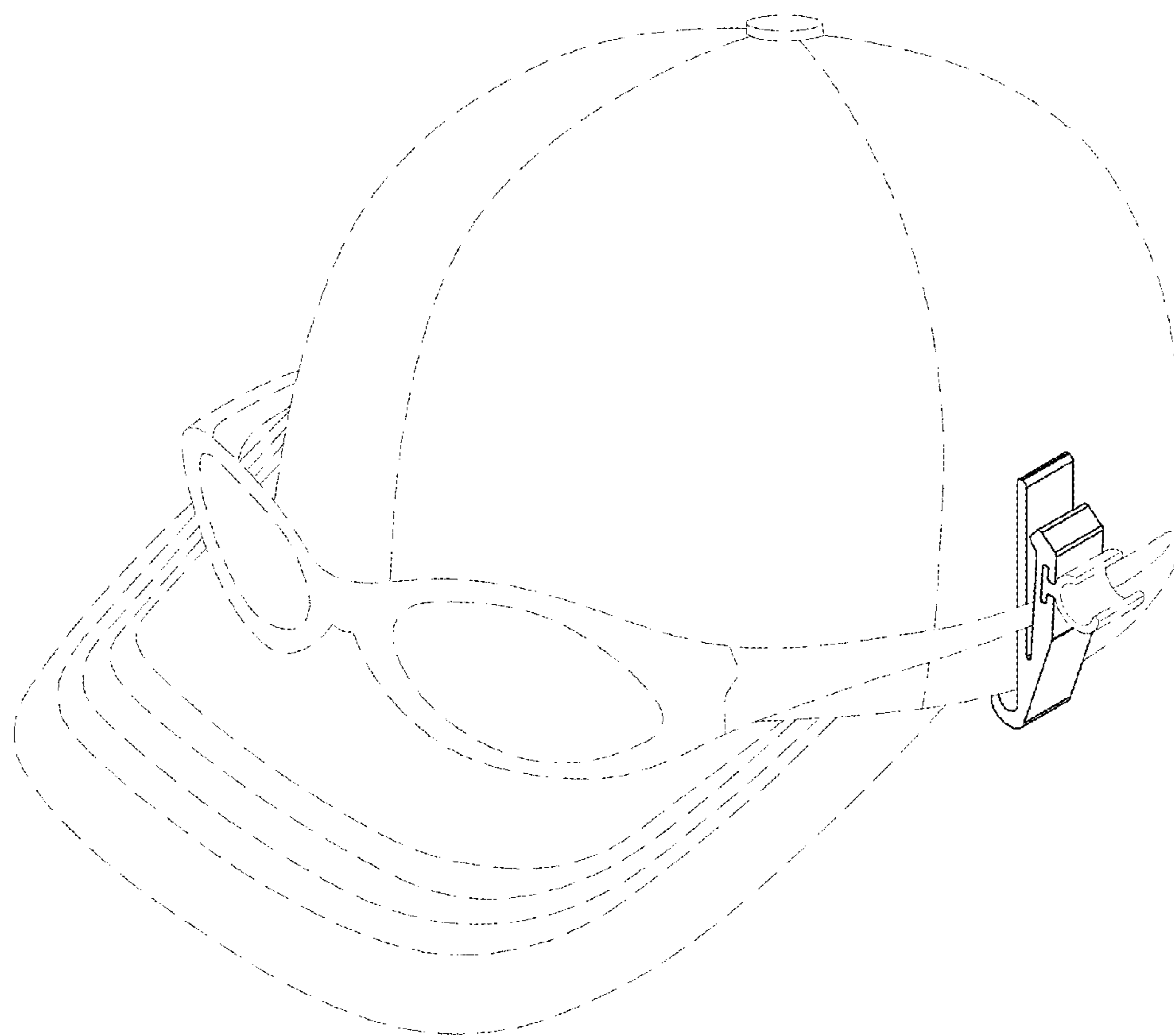
(56)

## References Cited

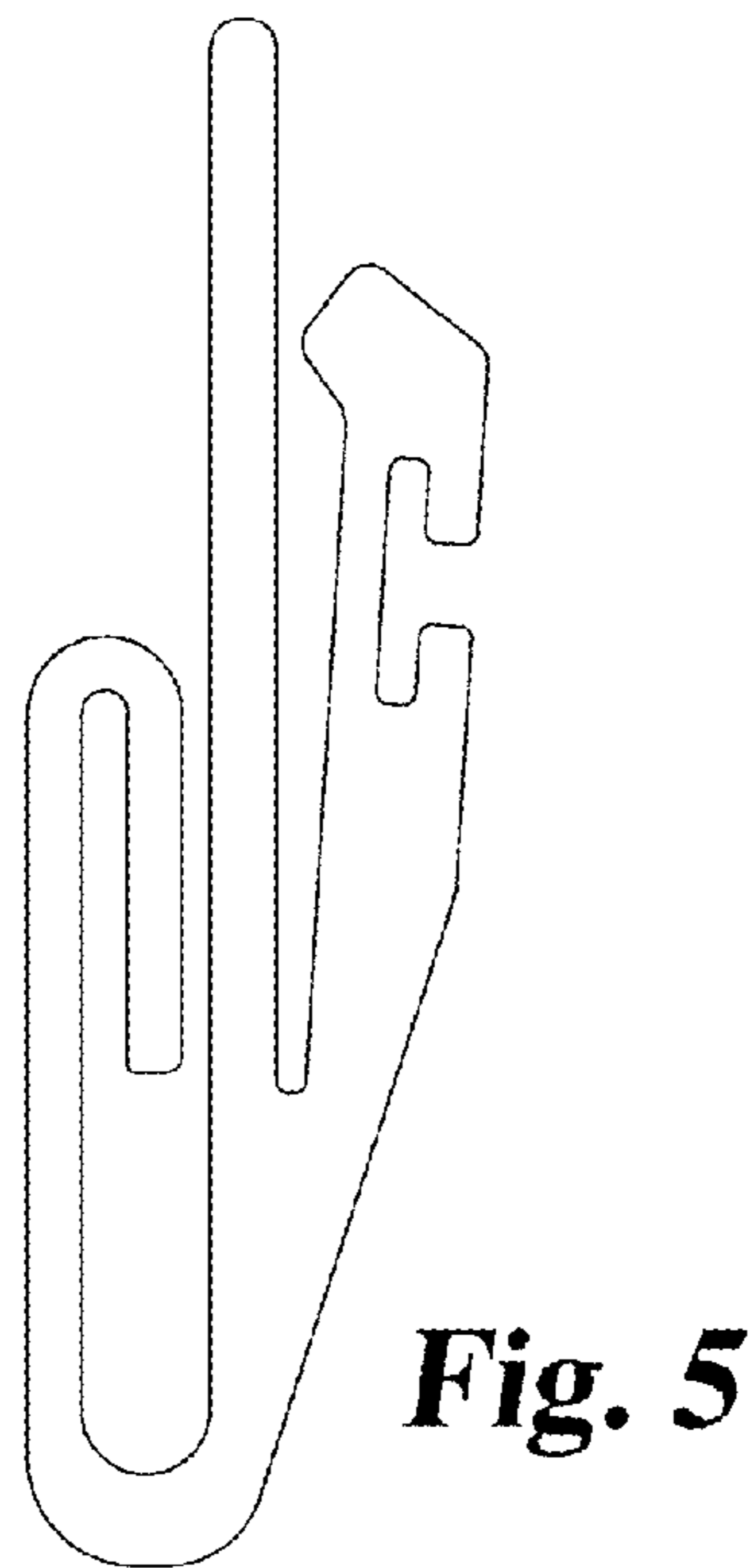
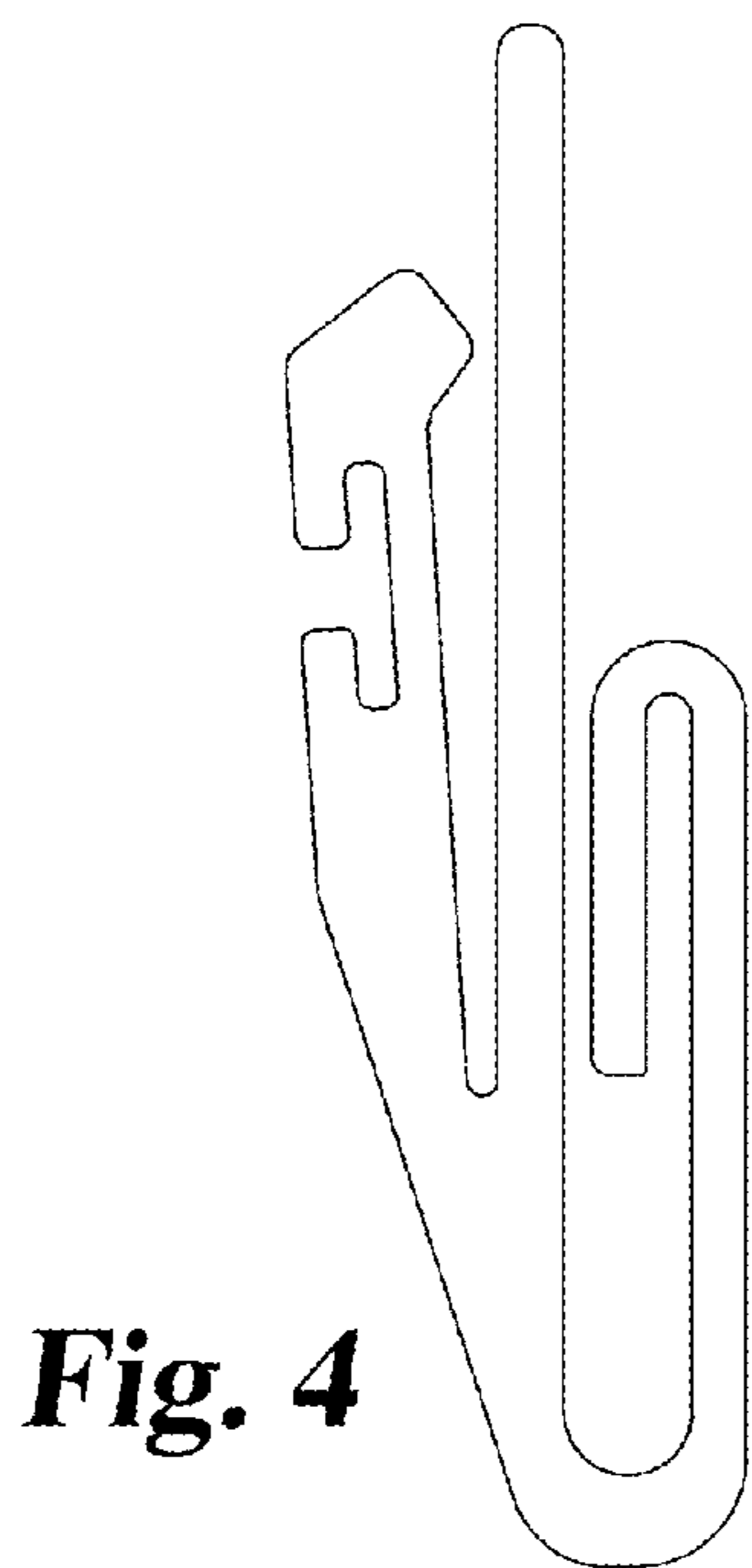
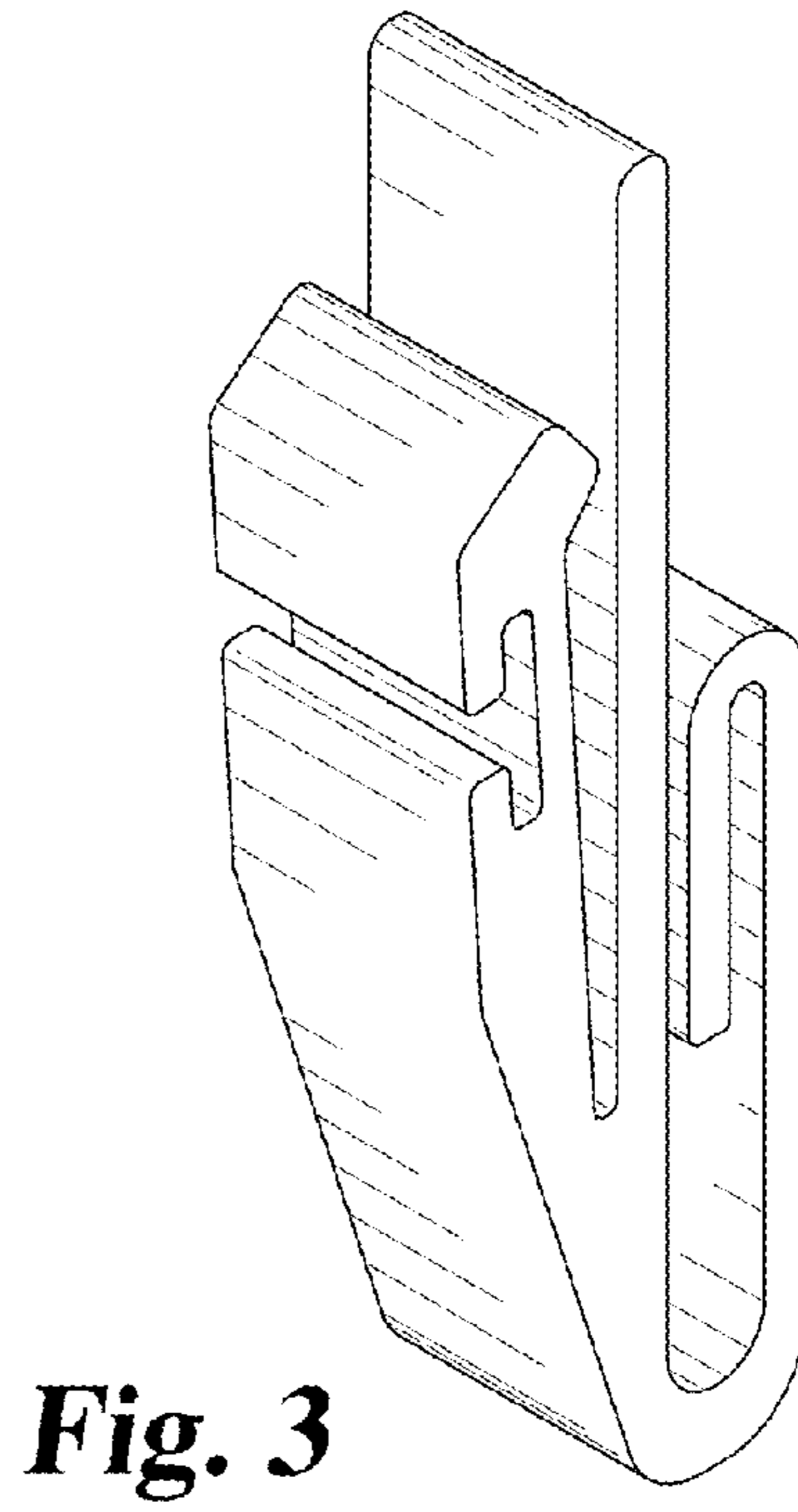
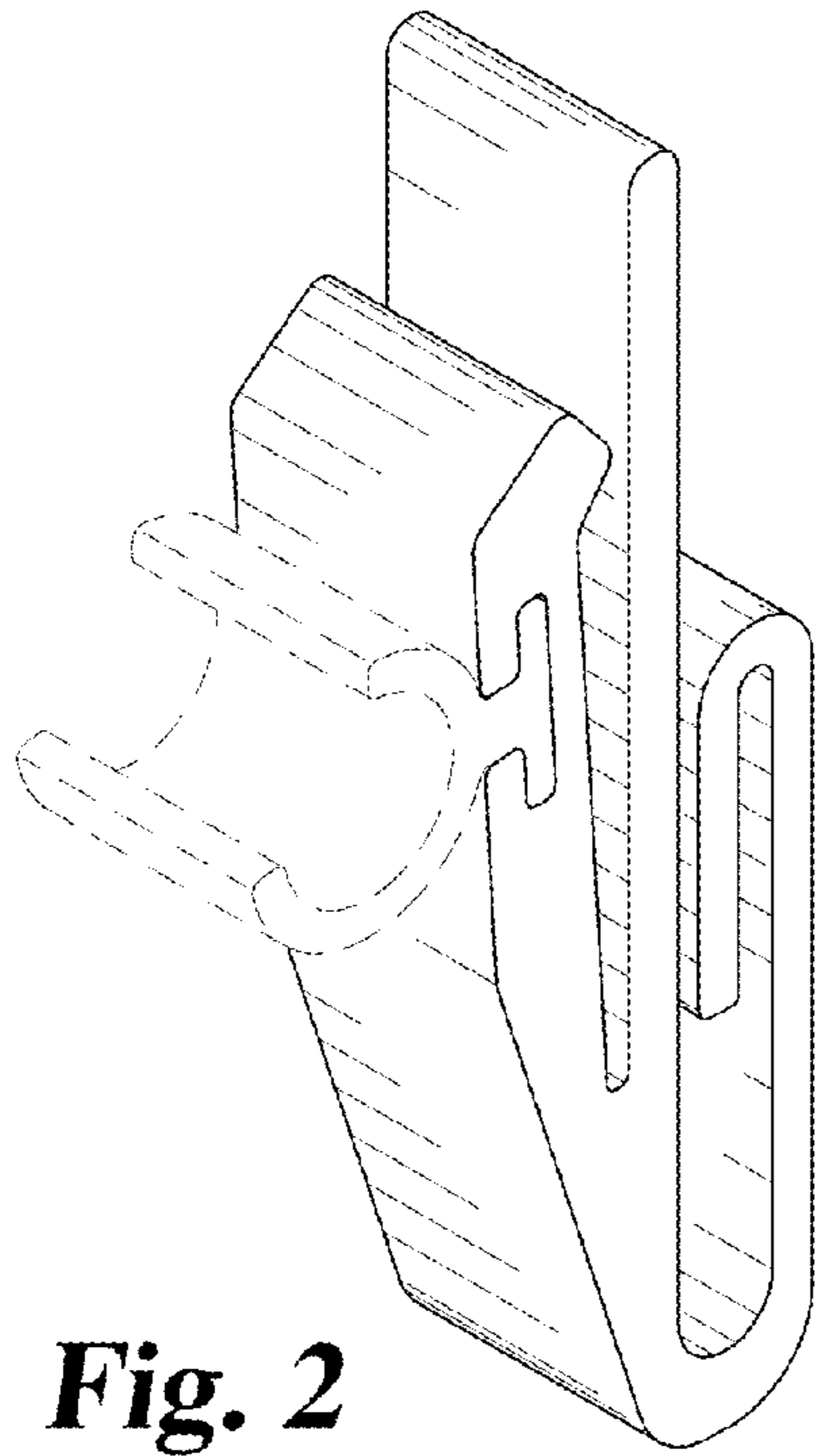
### U.S. PATENT DOCUMENTS

6,892,393 B1	5/2005	Provost et al.	8,381,359 B1	2/2013	McArdle
7,003,809 B1	2/2006	Gordon	8,418,271 B2	4/2013	Hardy
7,013,491 B2	3/2006	Ferrara	8,545,041 B2*	10/2013	Brown ..... A42B 1/24 24/336
7,137,151 B2	11/2006	Keech	8,573,773 B1	11/2013	Acosta
7,165,273 B1	1/2007	Redmond	8,740,379 B2	6/2014	Berger
7,229,172 B2	6/2007	Presswood, Jr. et al.	2005/0108857 A1	5/2005	Wartian et al.
7,240,370 B2	7/2007	Lerner	2005/0223525 A1	10/2005	Wartian et al.
7,255,436 B2	8/2007	Tracy	2006/0152671 A1	7/2006	Risso et al.
7,275,270 B2	10/2007	Cotutsca	2008/0054033 A1	3/2008	Synness
7,340,781 B2	3/2008	Clark	2008/0120763 A1	5/2008	Clark
D570,247 S *	6/2008	Hajianpour ..... D11/201	2008/0263839 A1	10/2008	Stillwell
7,470,022 B2	12/2008	Lerner	2008/0295295 A1*	12/2008	Rogers ..... A42B 1/24 24/3.12
7,484,845 B2	2/2009	Douglas	2010/0122399 A1	5/2010	Odom
D619,360 S *	7/2010	Ledford ..... D3/265	2011/0088144 A1	4/2011	Thomas
7,866,813 B2*	1/2011	Anhalt ..... A42B 1/247 2/209.13	2011/0126343 A1	6/2011	Tualla et al.
7,904,970 B2	3/2011	Thomas	2011/0219508 A1	9/2011	Hill
D639,707 S *	6/2011	Caskey ..... D11/201	2011/0247120 A1	10/2011	Knoedler
7,954,943 B2	6/2011	Ledford	2011/0314580 A1	12/2011	Vach
7,979,921 B2	7/2011	Cotutsca	2012/0272483 A1	11/2012	Moore
8,209,778 B2	7/2012	Matsumoto	2013/0318673 A1	12/2013	Huh
8,210,676 B1	7/2012	Hunt	2014/0063443 A1	3/2014	Berger
			2015/0013114 A1	1/2015	Grame et al.
			2015/0098055 A1	4/2015	Tahsler et al.

\* cited by examiner



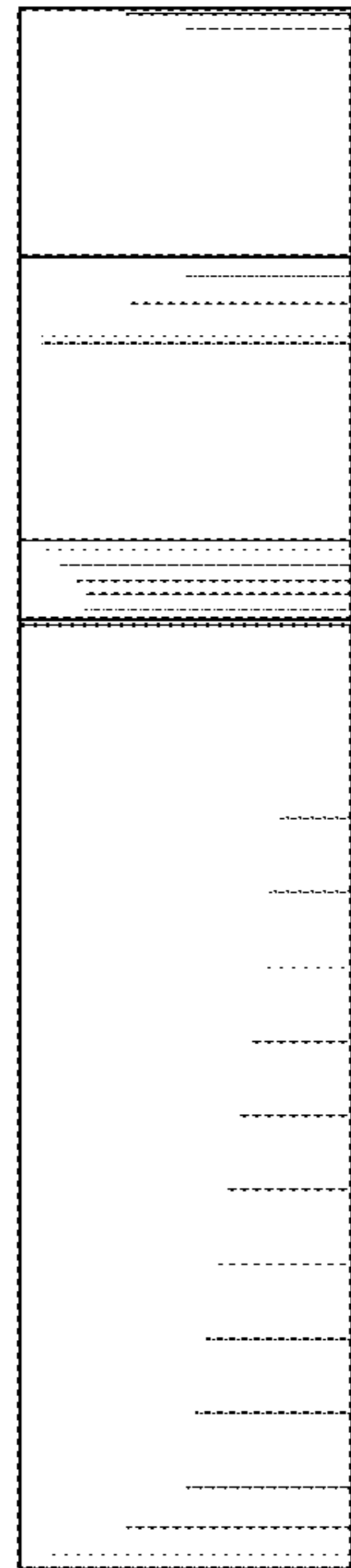
**Fig. 1**



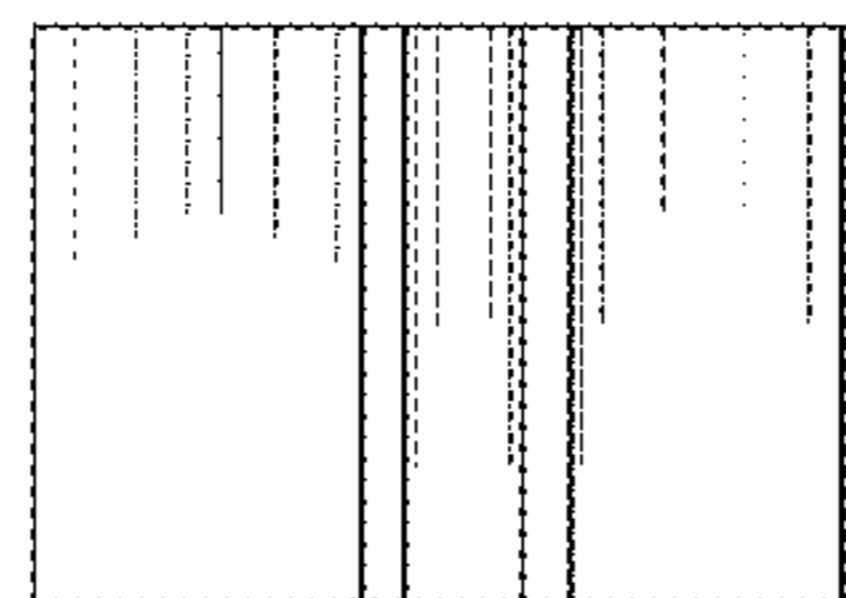
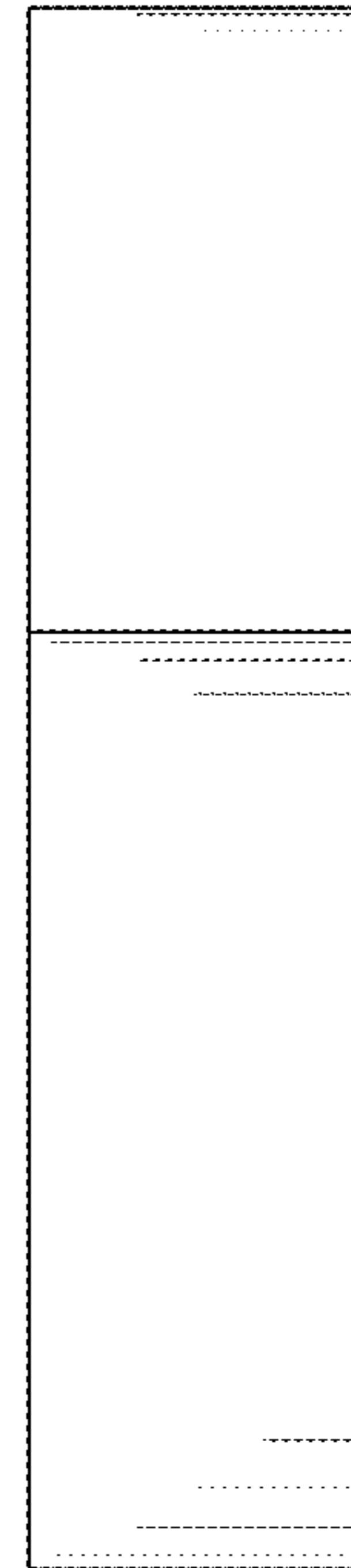
**Fig. 4**

**Fig. 5**

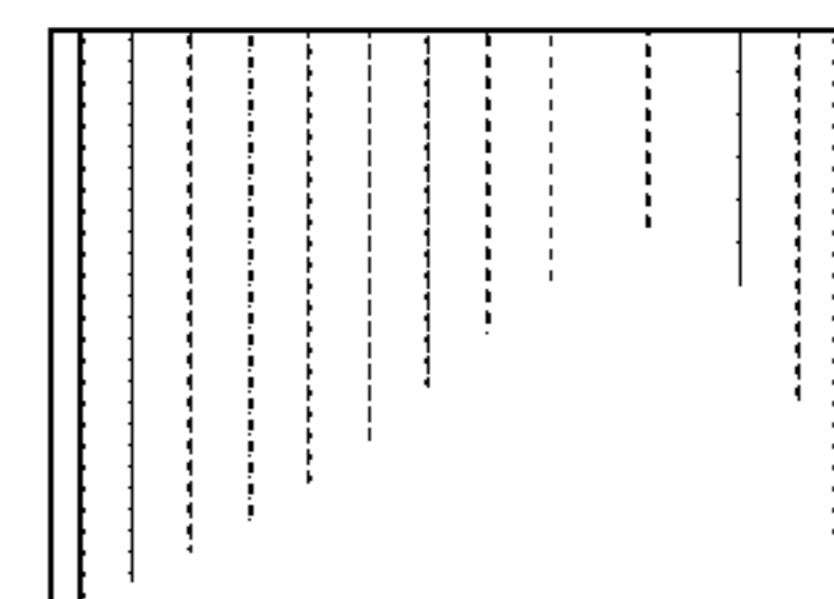
**Fig. 6**



**Fig. 7**



**Fig. 8**



**Fig. 9**