

US00D760993S

(12) **United States Design Patent**
Dawkins et al.

(10) **Patent No.:** **US D760,993 S**
(45) **Date of Patent:** **** Jul. 12, 2016**

(54) **PANTY WITH INTEGRATED SANITARY NAPKIN**

(71) Applicants: **Susan Dawkins**, Portland, OR (US);
Michael Dawkins, Portland, OR (US)

(72) Inventors: **Susan Dawkins**, Portland, OR (US);
Michael Dawkins, Portland, OR (US)

(**) Term: **15 Years**

(21) Appl. No.: **29/526,843**

(22) Filed: **May 13, 2015**

(51) **LOC (10) Cl.** **02-01**

(52) **U.S. Cl.**
USPC **D2/712**; D24/126

(58) **Field of Classification Search**
USPC D2/712, 713, 714, 715, 716, 731, 732,
D2/736, 734, 735, 737, 738, 739, 742, 860,
D2/863; D24/122, 124, 125, 126, 127,
D24/128, 189, 215
CPC A41B 9/00; A41B 9/001; A41B 9/02;
A41B 9/004; A41B 17/00; A41B 2500/50;
A41B 1/08; A41B 9/023; A41B 9/04; A41B
13/04

See application file for complete search history.

(56) **References Cited**

U.S. PATENT DOCUMENTS

2,748,772	A	6/1956	Titone et al.	
3,386,443	A *	6/1968	Goldstein	A41B 13/04 604/370
3,424,162	A	1/1969	Parravicini	
D320,854	S *	10/1991	Jonas	D24/124
D450,911	S *	11/2001	Bell	D2/712
D547,861	S *	7/2007	Chang	D24/126
D581,130	S *	11/2008	Noday	D2/712
D584,880	S *	1/2009	Ingrassia	D2/712
D633,689	S *	3/2011	Hunt	D2/712
D649,330	S *	11/2011	Trahin	D2/713
8,202,264	B1 *	6/2012	Pettit	A61F 13/494 2/403
9,003,571	B1 *	4/2015	Lewis-Williams	A41B 9/04 2/250

2005/0090795	A1 *	4/2005	Coleman	A61F 13/49003 604/387
2005/0090796	A1 *	4/2005	Coleman	A61F 13/49003 604/387
2014/0243778	A1 *	8/2014	Boser	A41B 9/04 604/396

OTHER PUBLICATIONS

- http://www.amazon.com/Stain-High-Rise-Menstrual-Period-Underwear/dp/B0138HEIMW/ref=sr_1_91?ie=UTF8&qid=1454081109&sr=8-91&keywords=period+panty—Downloaded Jan. 29, 2016.*
- http://www.amazon.com/Meicent-Comfort-Seamless-Menstrual-Watermelon/dp/B019CCJ5LG/ref=sr_1_97?ie=UTF8&qid=1454081126&sr=8-97&keywords=period+panty—Downloaded Jan. 29, 2016.*
- <http://store.rawganique.com/organic-cotton-period-panty-p/lunpan-bs.htm> - Downloaded Jan. 29, 2016.*
- <http://www.easyadaptivewear.com/Velcro-tab-closure-womens-midis-p/1015.htm>—Downloaded Jan. 29, 2016.*

* cited by examiner

Primary Examiner — Manpreet Matharu
Assistant Examiner — Mojtaba Tehrani
(74) *Attorney, Agent, or Firm* — Crossley & Stevenson Intellectual Property Law

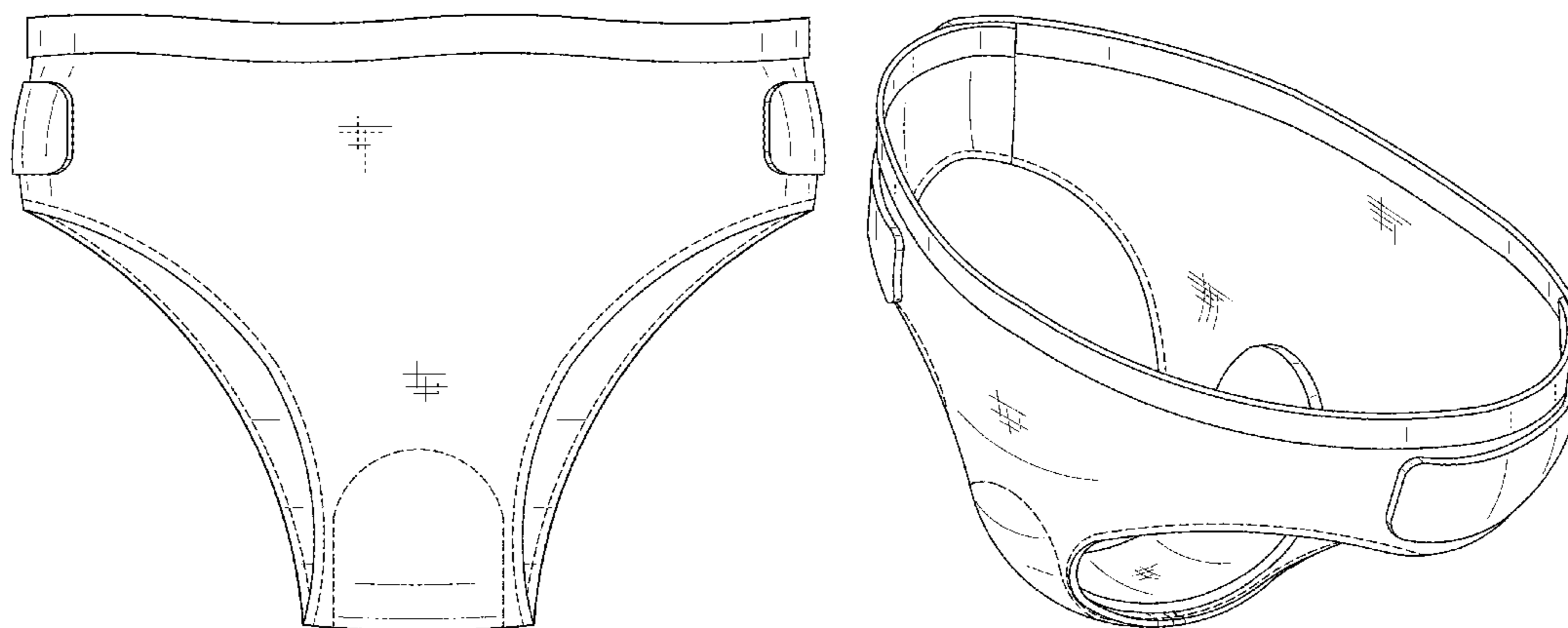
(57) **CLAIM**

The ornamental design for a panty with integrated sanitary napkin, as shown and described.

DESCRIPTION

FIG. 1 is a front elevation view of a panty with integrated sanitary napkin showing our new design;
FIG. 2 is a rear elevation view thereof;
FIG. 3 is a right side elevation view thereof, the opposite side being a mirror image of the shown;
FIG. 4 is a top plan view thereof;
FIG. 5 is a bottom plan view thereof; and,
FIG. 6 is an isometric view thereof.
In the drawings, the broken lines represent stitching.

1 Claim, 5 Drawing Sheets



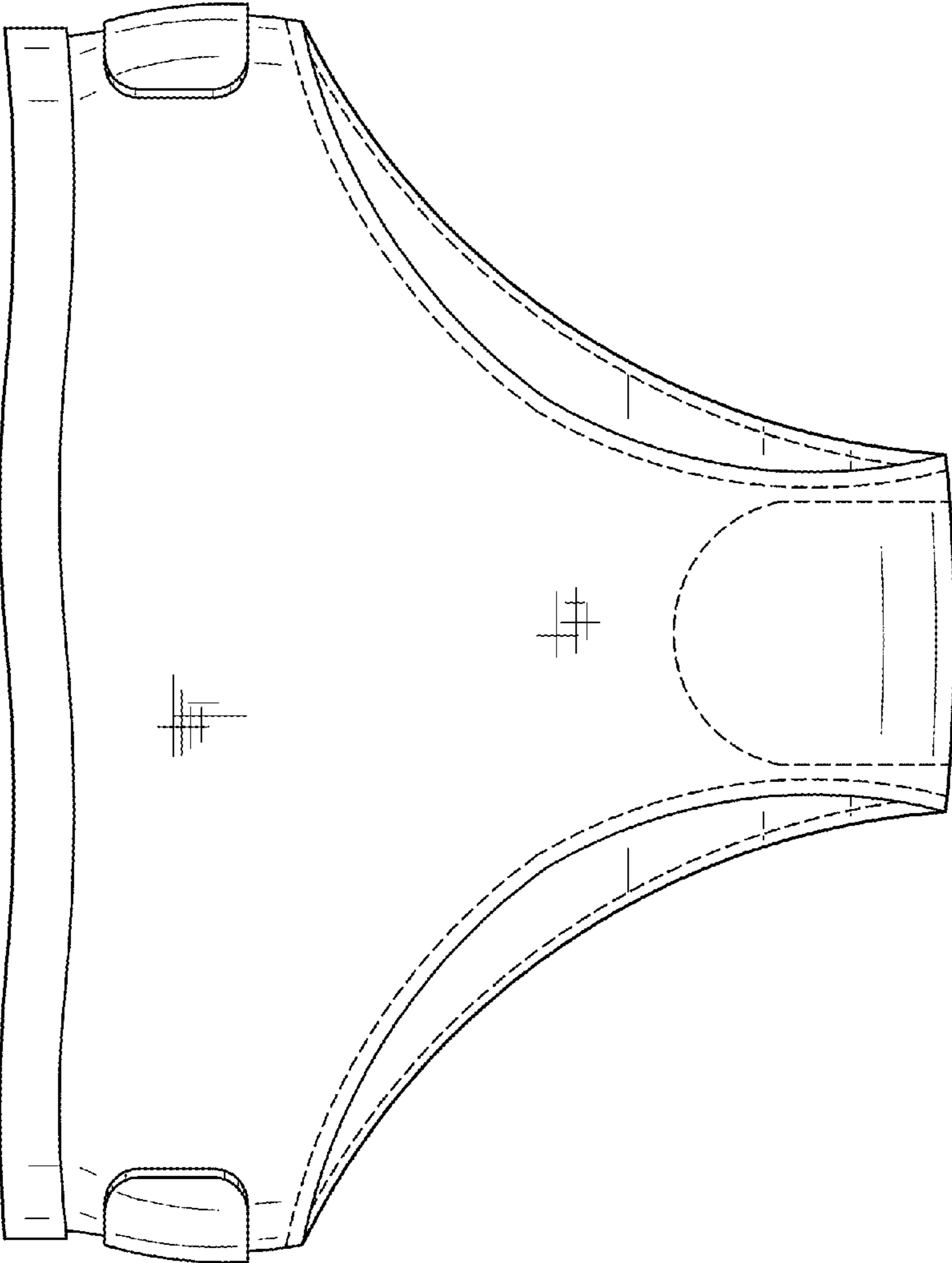


FIG. 1

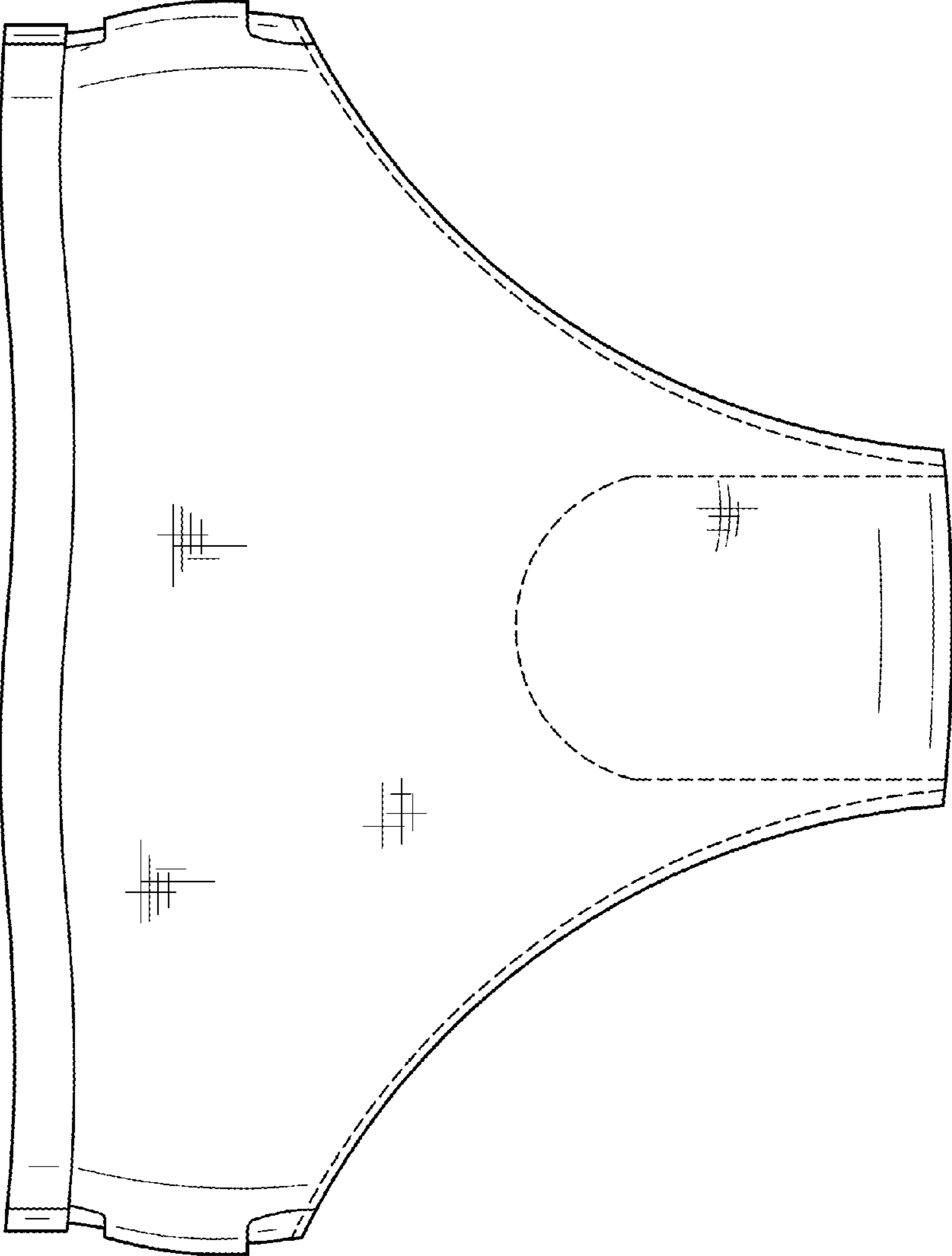


FIG. 2

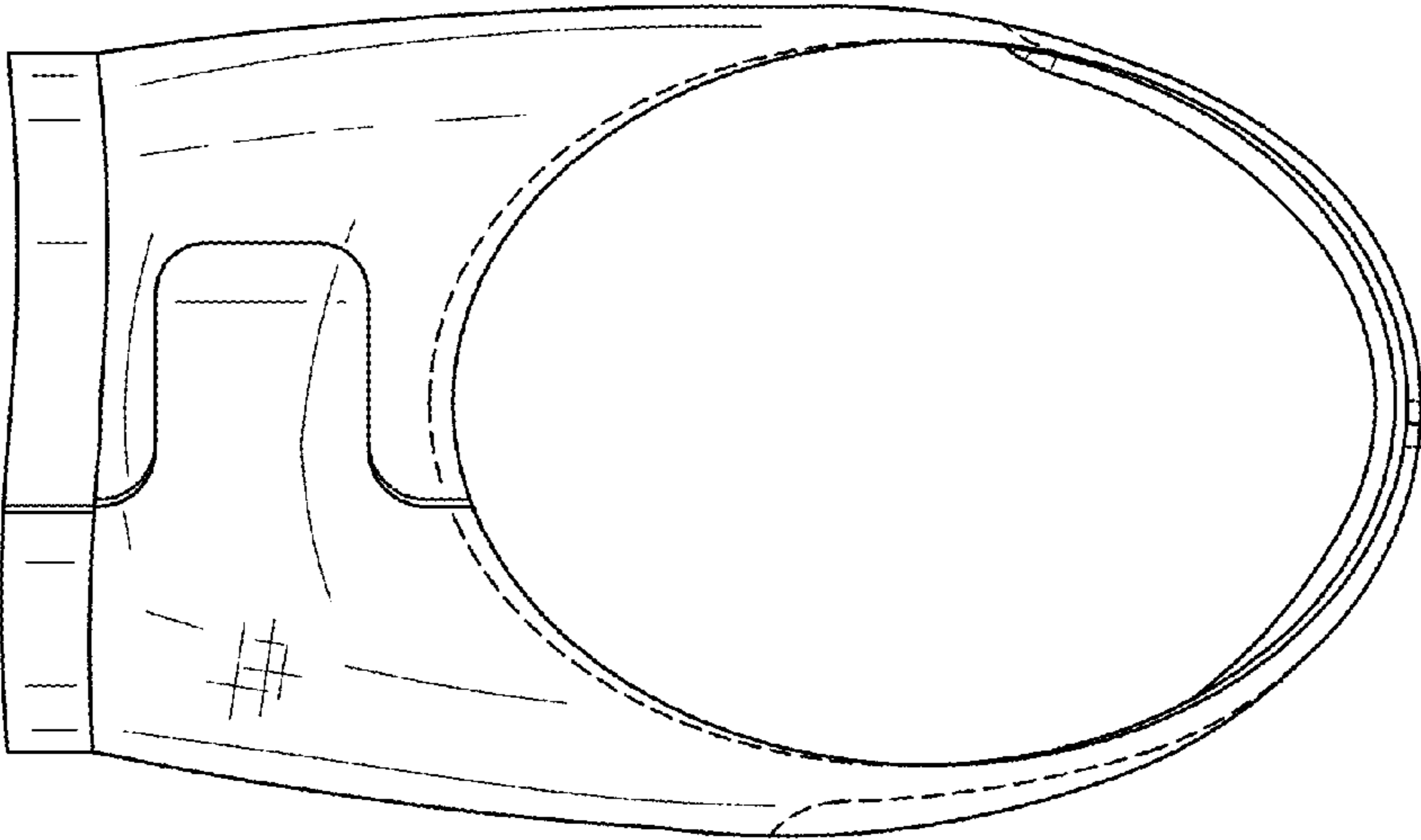


FIG. 3

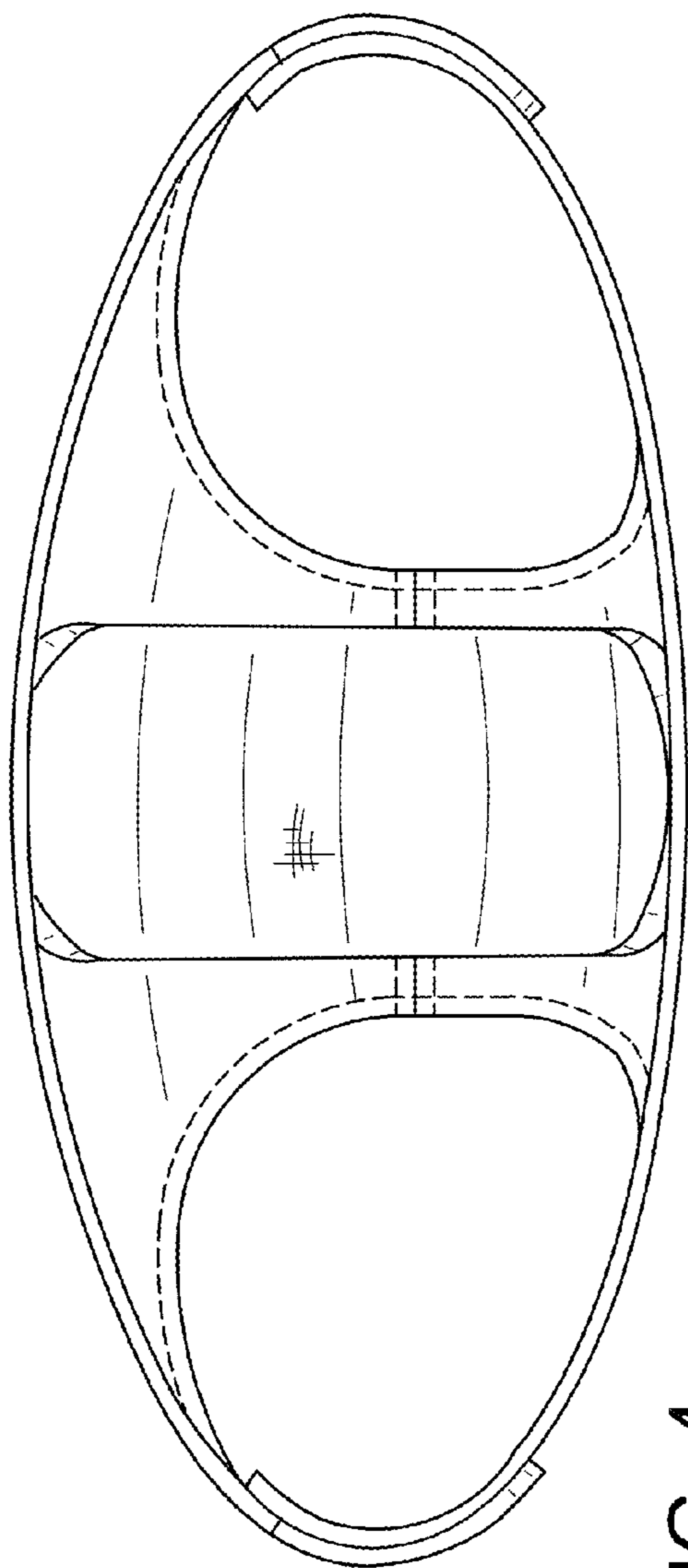


FIG. 4

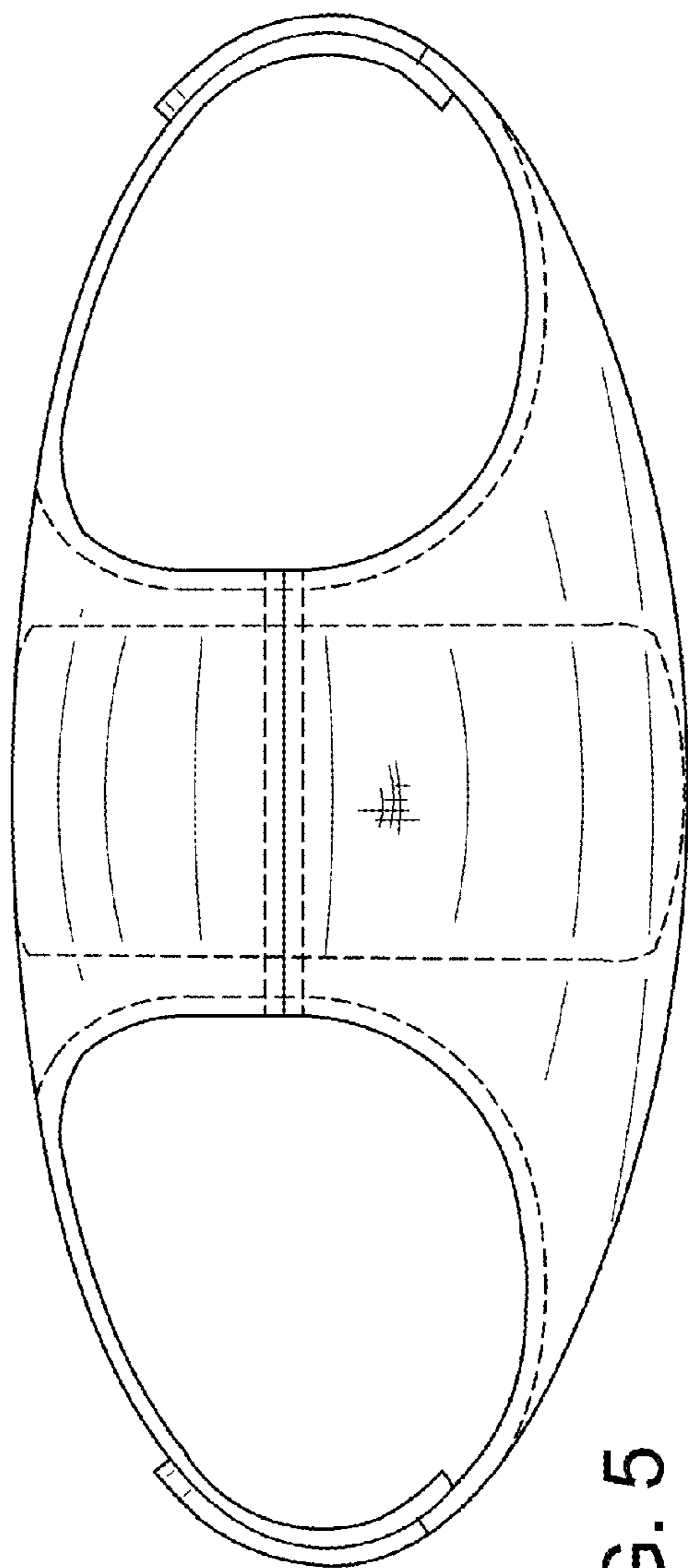


FIG. 5

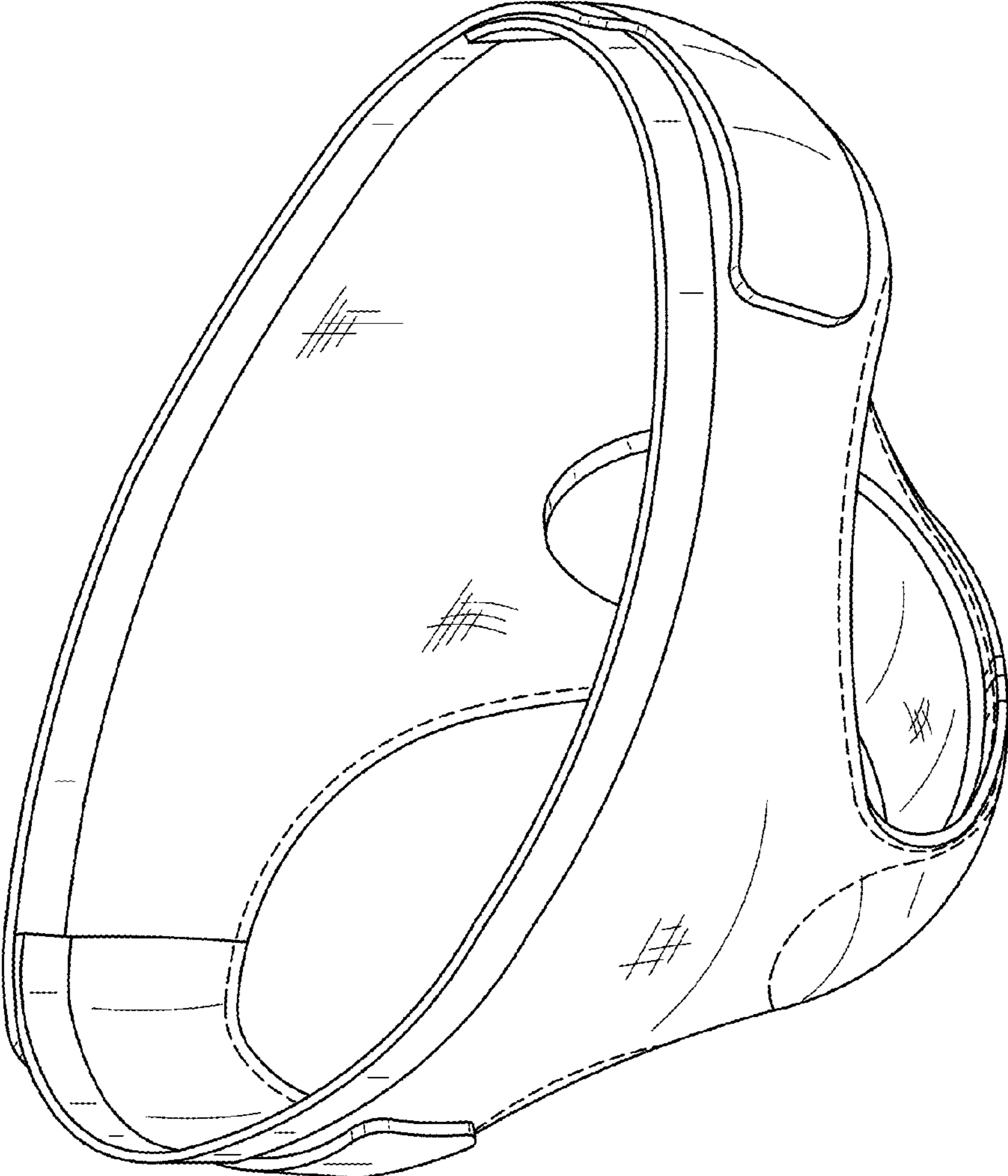


FIG. 6