



US00D760992S

(12) **United States Design Patent**
Martin et al.

(10) **Patent No.:** **US D760,992 S**
(45) **Date of Patent:** **** Jul. 12, 2016**

(54) **FOOD PRODUCT**

(71) Applicant: **URSCHEL LABORATORIES, INC.**,
Valparaiso, IN (US)

(72) Inventors: **Mark Allen Martin**, Kouts, IN (US);
Thomas R. Mahaffey, II, Francesville,
IN (US)

(73) Assignee: **Urschel Laboratories, Inc.**, Chesterton,
IN (US)

(**) Term: **14 Years**

(21) Appl. No.: **29/514,352**

(22) Filed: **Jan. 12, 2015**

(51) **LOC (10) Cl.** **01-01**

(52) **U.S. Cl.**
USPC **D1/199; D1/125**

(58) **Field of Classification Search**
USPC D1/100-130, 199; 426/2, 89, 92, 104,
426/635, 805; D30/160; D24/101-104;
D25/119, 120, 122, 125, 126, 158,
D25/164; 119/706-711; D34/28, 29;
D21/478
CPC E04B 2/7818; E04B 2/82; E04C 3/28;
E04F 2203/04
See application file for complete search history.

(56) **References Cited**

U.S. PATENT DOCUMENTS

910,192 A * 1/1909 Grouvelle et al. F28F 13/12
138/177
1,973,240 A * 9/1934 Proudfit A61G 17/04
27/13
D199,909 S * 12/1964 Bedard 273/294
D315,437 S * 3/1991 Stein D1/127
D324,290 S * 3/1992 Stein D1/128
D379,244 S * 5/1997 Wiebe D25/119
D391,736 S * 3/1998 Oelke D1/125

D392,433 S * 3/1998 Norris D32/40
D410,026 S * 5/1999 Brown D18/56
D410,457 S * 6/1999 Eyley D14/432
D453,863 S * 2/2002 Kang D1/125
6,561,194 B2 * 5/2003 Michelson A61F 5/3707
128/845
D501,700 S * 2/2005 Turner D1/127
D503,771 S * 4/2005 Costa D23/208
D509,045 S * 9/2005 Buckley D1/199
D516,276 S * 3/2006 Unlu D1/199
D516,668 S * 3/2006 Costa D23/208
D527,497 S * 8/2006 Grimes D30/160

(Continued)

OTHER PUBLICATIONS

Sandra. "Homemade Nutter Butters." Full Bellies, Happy Kids. May 9, 2012. Web. Mar. 3, 2016. <<http://fullbellies.blogspot.com/2012/05/homemade-nutter-butters.html>>.*

Primary Examiner — Garth Rademaker

Assistant Examiner — Katie S Mroczka

(74) *Attorney, Agent, or Firm* — Hartman Global IP Law;
Gary M. Hartman; Domenica N. S. Hartman

(57) **CLAIM**

The ornamental design for a food product, as shown and described.

DESCRIPTION

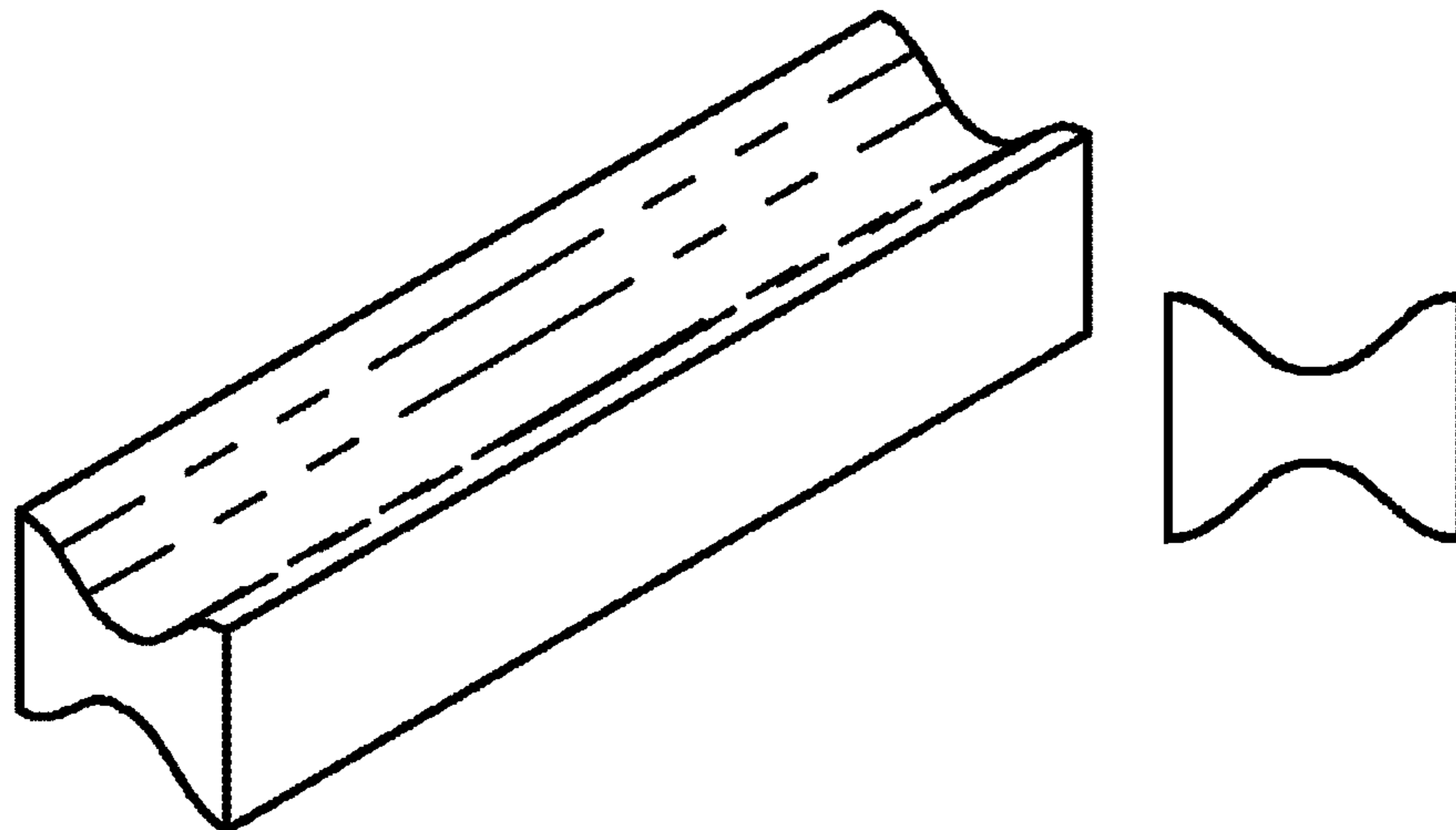
FIG. 1 is a perspective view of a food product in accordance with this invention.

FIG. 2 is a side view of the food product of FIG. 1, wherein the opposite side view of the food product is a mirror image of FIG. 2 and therefore not shown.

FIG. 3 is a right elevational view of the food product of FIG. 1, wherein the left elevational view of the food product is a mirror image of FIG. 3 and therefore not shown; and,

FIG. 4 is a top view of the food product of FIG. 1, wherein the bottom view of the food product is a mirror image of FIG. 4 and therefore not shown.

1 Claim, 1 Drawing Sheet



(56)

References Cited

U.S. PATENT DOCUMENTS

D528,261 S *	9/2006	Mendes	D1/122	D701,671 S	4/2014	King et al.	
D538,506 S *	3/2007	Mendes	D1/122	D701,672 S	4/2014	King et al.	
D549,829 S *	8/2007	Jodaikin	D1/100	D702,329 S *	4/2014	Cerda D23/269
D585,627 S *	2/2009	Wylie	D1/125	D702,417 S	4/2014	King et al.	
D591,926 S *	5/2009	Jia	D1/125	D704,919 S	5/2014	Jacko et al.	
D598,634 S *	8/2009	Geoffrion	D1/122	D706,017 S	6/2014	King et al.	
D598,635 S *	8/2009	Geoffrion	D1/127	D711,068 S	8/2014	Jacko et al.	
D651,370 S *	12/2011	Seliskar	D30/118	D711,617 S *	8/2014	Howe D1/120
D658,848 S *	5/2012	Wylie	D1/101	D712,735 S *	9/2014	McCracken D9/430
D670,941 S *	11/2012	Vernon	D6/716.4	D716,522 S	11/2014	King et al.	
D701,366 S	3/2014	King et al.			D716,523 S	11/2014	King et al.	
D701,670 S	4/2014	King et al.			D717,516 S	11/2014	King et al.	
					D733,462 S *	7/2015	Pellegrini D6/601
					D737,016 S *	8/2015	Traynor D1/120
					D739,991 S *	10/2015	Chu D1/128

* cited by examiner

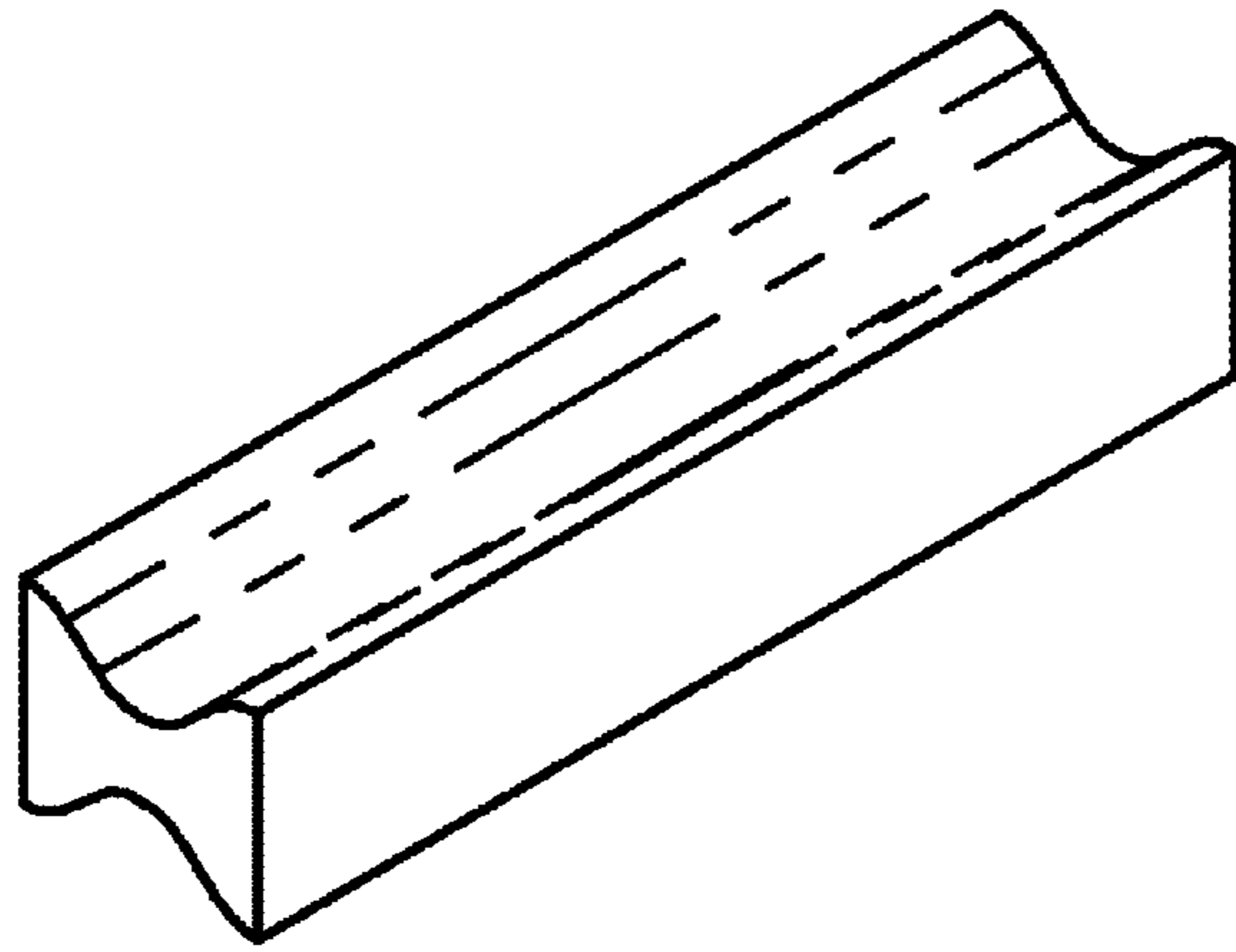


FIG. 1

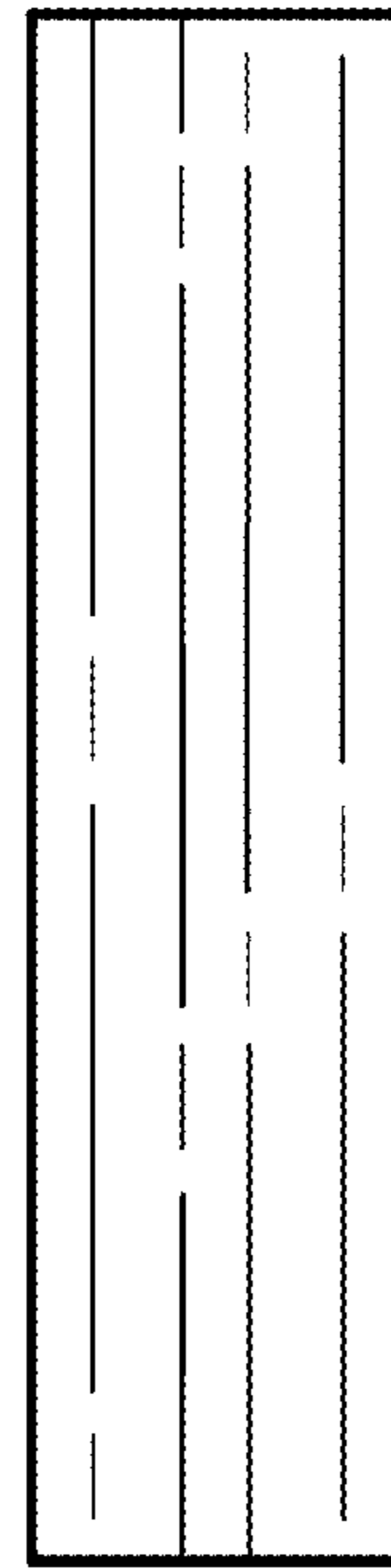


FIG. 4

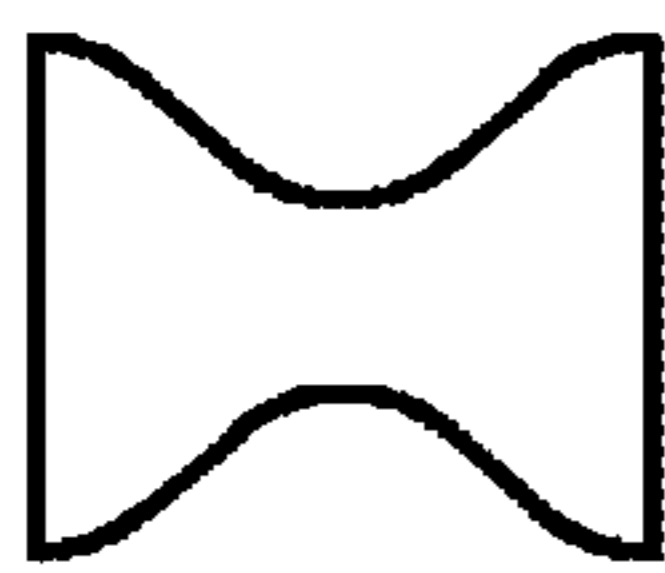


FIG. 2



FIG. 3