



US00D760989S

(12) **United States Design Patent**
Martinez Martinez

(10) **Patent No.:** **US D760,989 S**
(45) **Date of Patent:** **** Jul. 5, 2016**

- (54) **LIFTING JACKS**
- (71) Applicant: **Antonio Martinez Martinez, Berriz**
(ES)
- (72) Inventor: **Antonio Martinez Martinez, Berriz**
(ES)
- (73) Assignee: **Melchor Gabilondo, S.A., Berriz**
(Vizcaya) (ES)
- (**) Term: **14 Years**
- (21) Appl. No.: **29/490,283**
- (22) Filed: **May 8, 2014**

(30) **Foreign Application Priority Data**

Nov. 8, 2013 (EM) 002341511

(51) **LOC (10) CL.** **12-05**

(52) **U.S. CL.**
USPC **D34/31**

(58) **Field of Classification Search**
USPC D34/31, 28; 24/83, 84, 11, 93 H, 2 B, 88,
24/DIG. 3, 48, 94, 93 R, 8 B, 8 R, 2 R
CPC B66F 5/04; B66F 5/025; B66F 13/00;
B66F 1/00; B66F 1/02; B66F 1/06; B66F
1/08
See application file for complete search history.

(56) **References Cited**

U.S. PATENT DOCUMENTS

D248,417 S * 7/1978 Pennington D11/96
D296,598 S * 7/1988 Hung D34/31

D332,337 S * 1/1993 Wang D34/31
D480,196 S * 9/2003 Hsu D34/31
D604,025 S * 11/2009 Lin D34/31
D688,845 S * 8/2013 Hernandez D34/31
8,500,095 B1 * 8/2013 Salcedo B66F 5/025
254/101
8,608,131 B2 * 12/2013 Kania B66F 5/04
206/378
8,622,369 B2 * 1/2014 Kania B66F 5/04
206/378
D720,514 S * 12/2014 Fox D34/31
D720,914 S * 1/2015 Fox D34/31
D720,915 S * 1/2015 Fox D34/31
D730,612 S * 5/2015 James D34/31
2006/0278858 A1 * 12/2006 Brocchini B66F 5/04
254/8 B
2008/0083913 A1 * 4/2008 Fang B66F 5/04
254/8 B

* cited by examiner

Primary Examiner — Cynthia Ramirez

(74) *Attorney, Agent, or Firm* — Ostrolenk Faber LLP

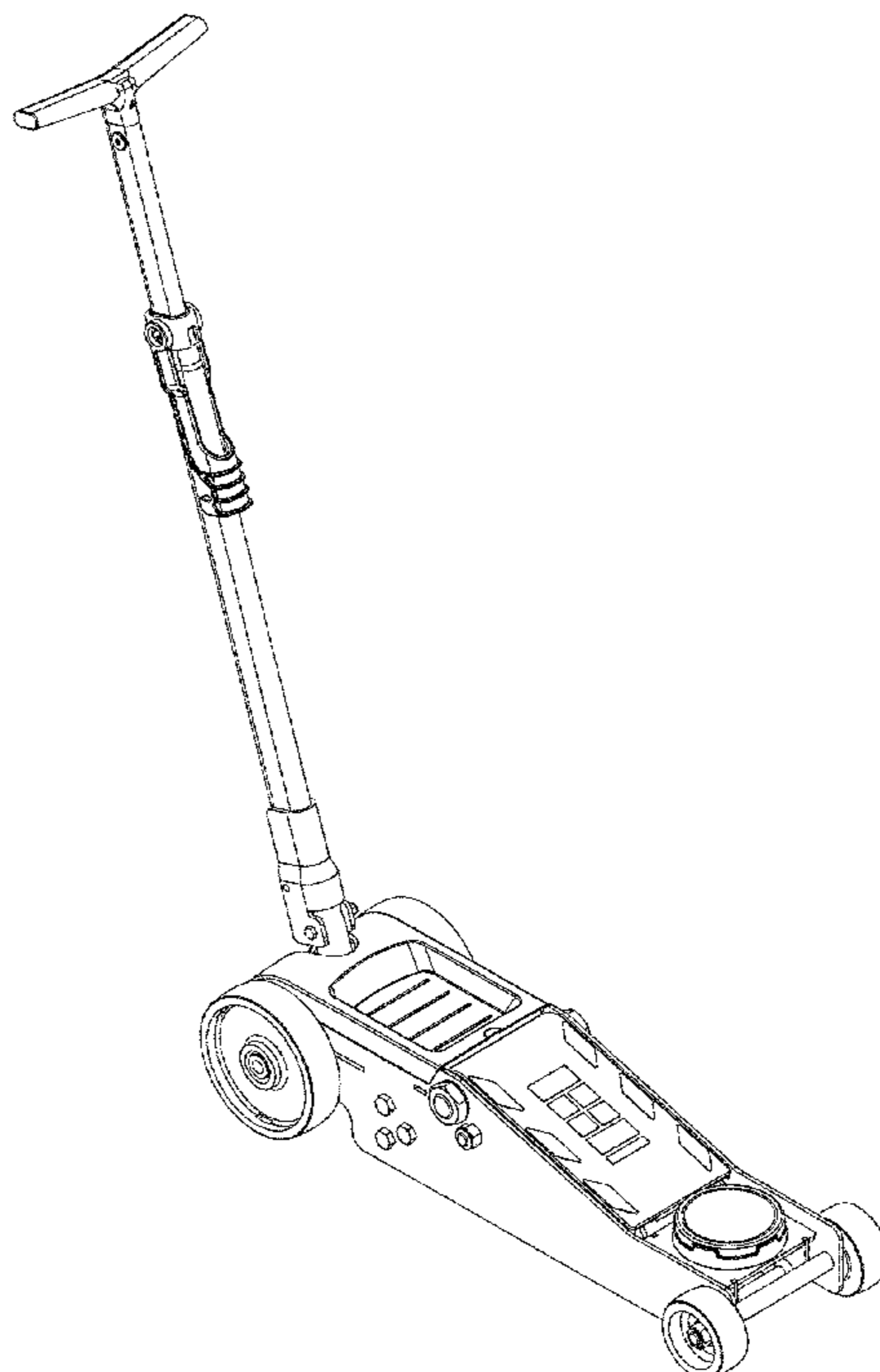
(57) **CLAIM**

The ornamental design for the lifting jack, as shown and described.

DESCRIPTION

FIG. 1 is a perspective view of a lifting jack showing my new design;
FIG. 2 is another perspective side view thereof;
FIG. 3 is a backside view thereof;
FIG. 4 is a front side view thereof;
FIG. 5 is a left side view thereof;
FIG. 6 is a right side view thereof; and,
FIG. 7 is a top view thereof.

1 Claim, 7 Drawing Sheets



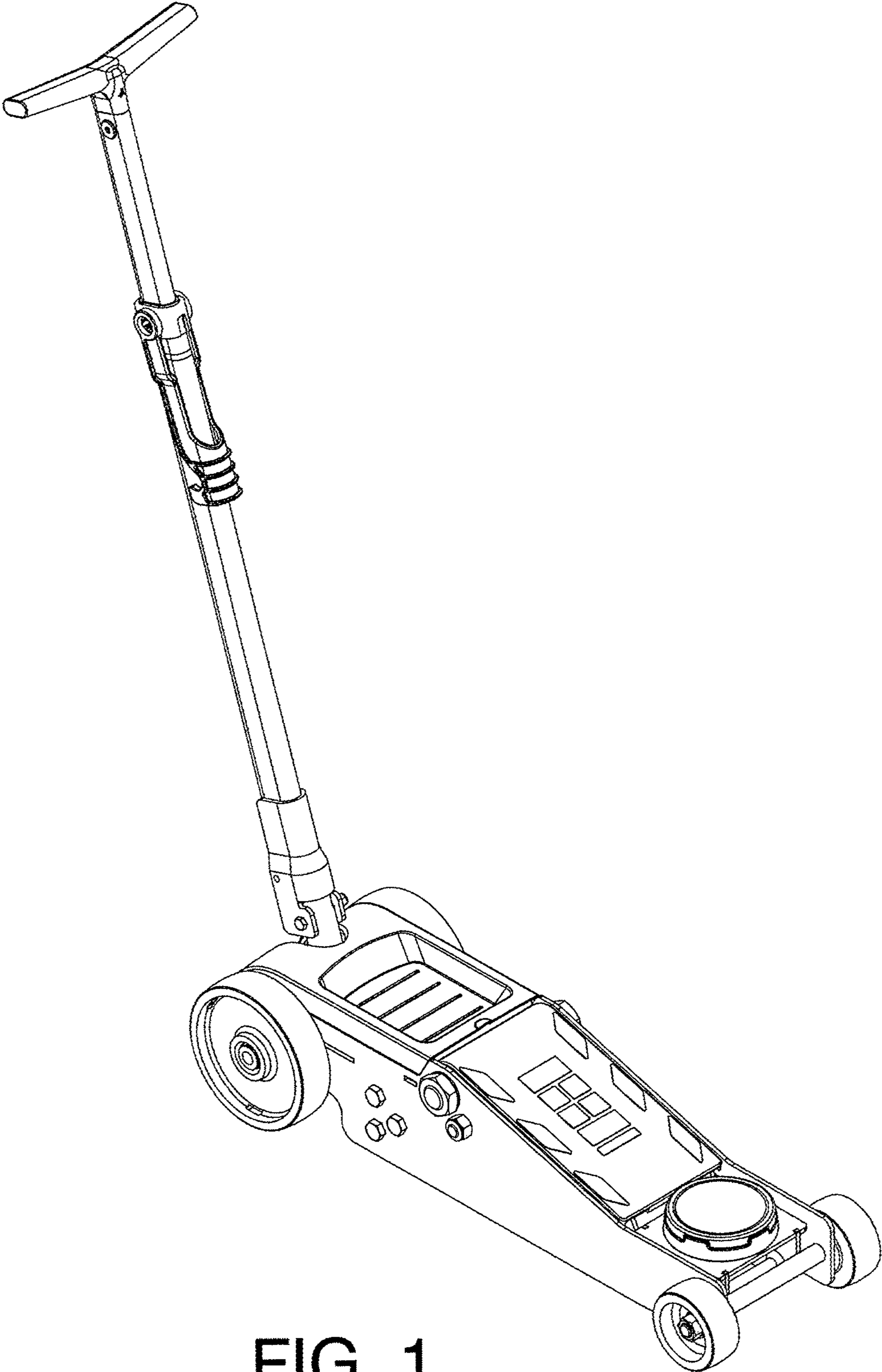


FIG. 1

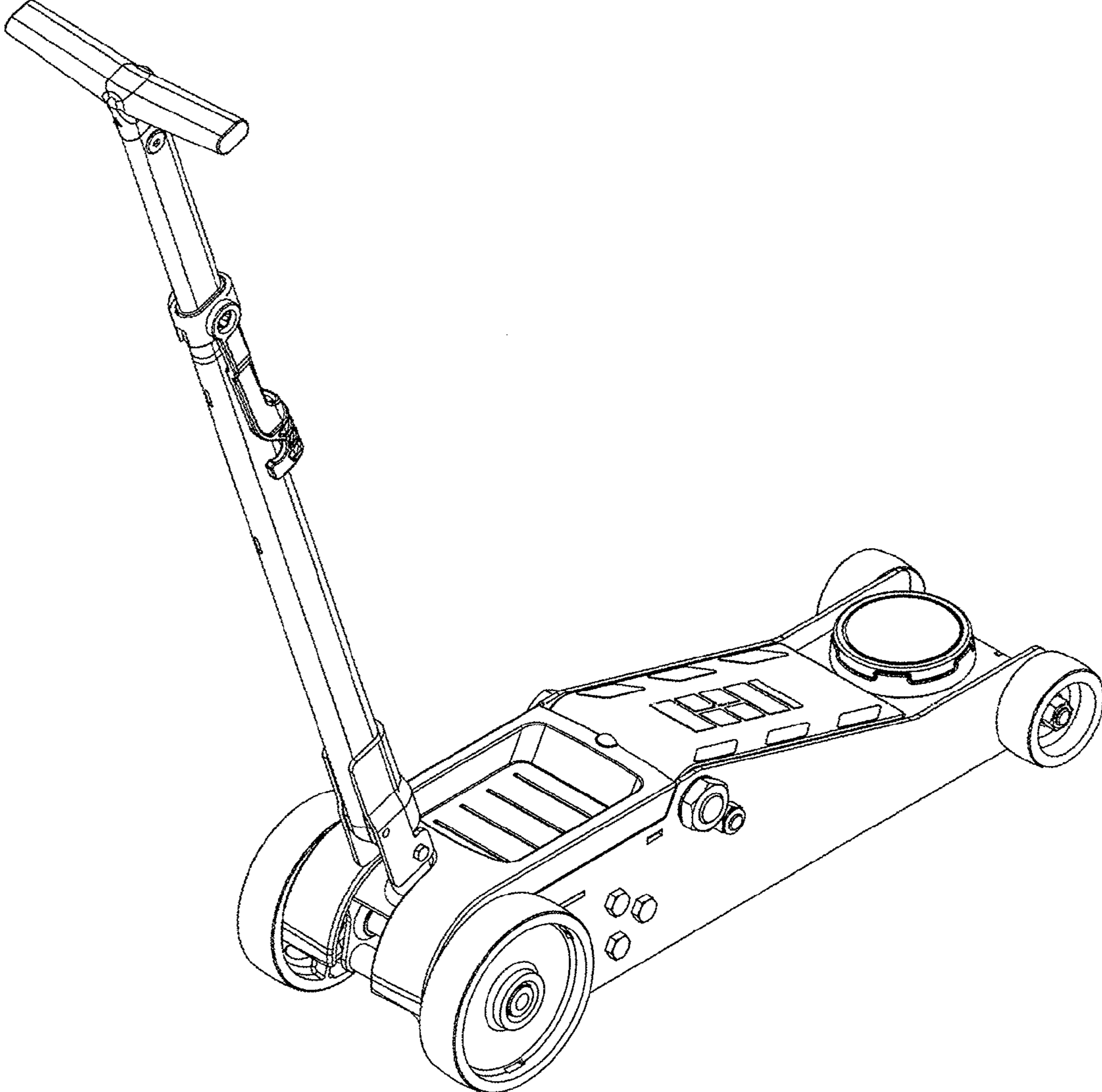


FIG. 2

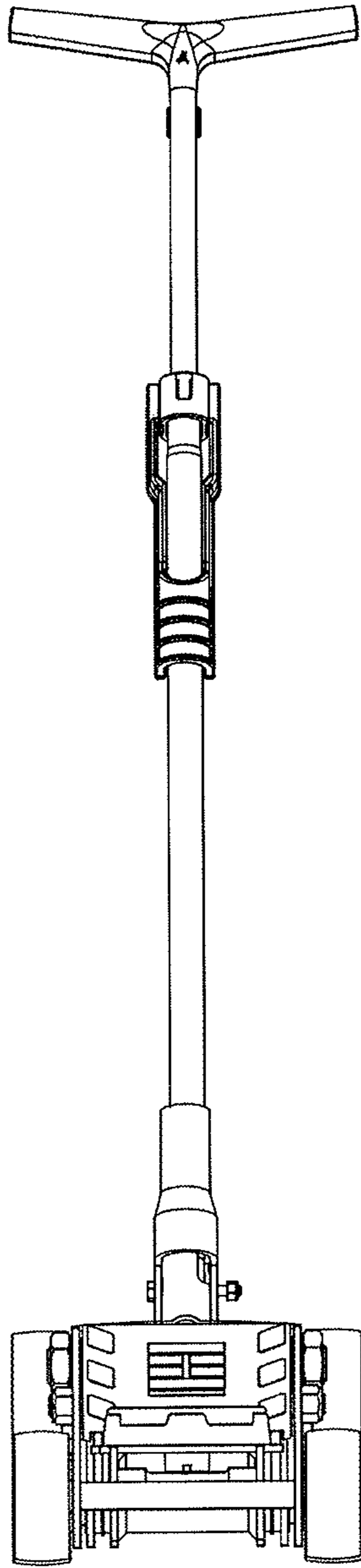


FIG. 3

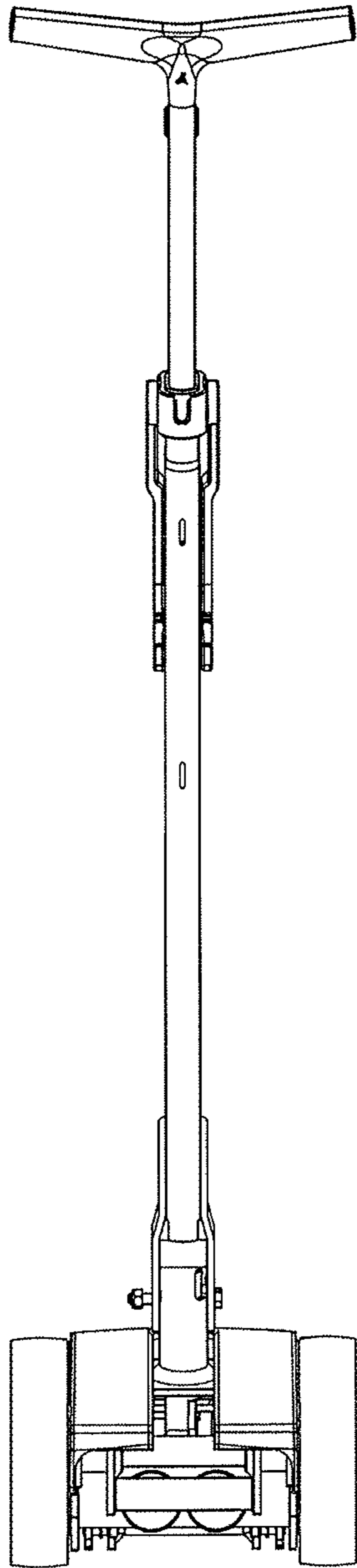


FIG. 4

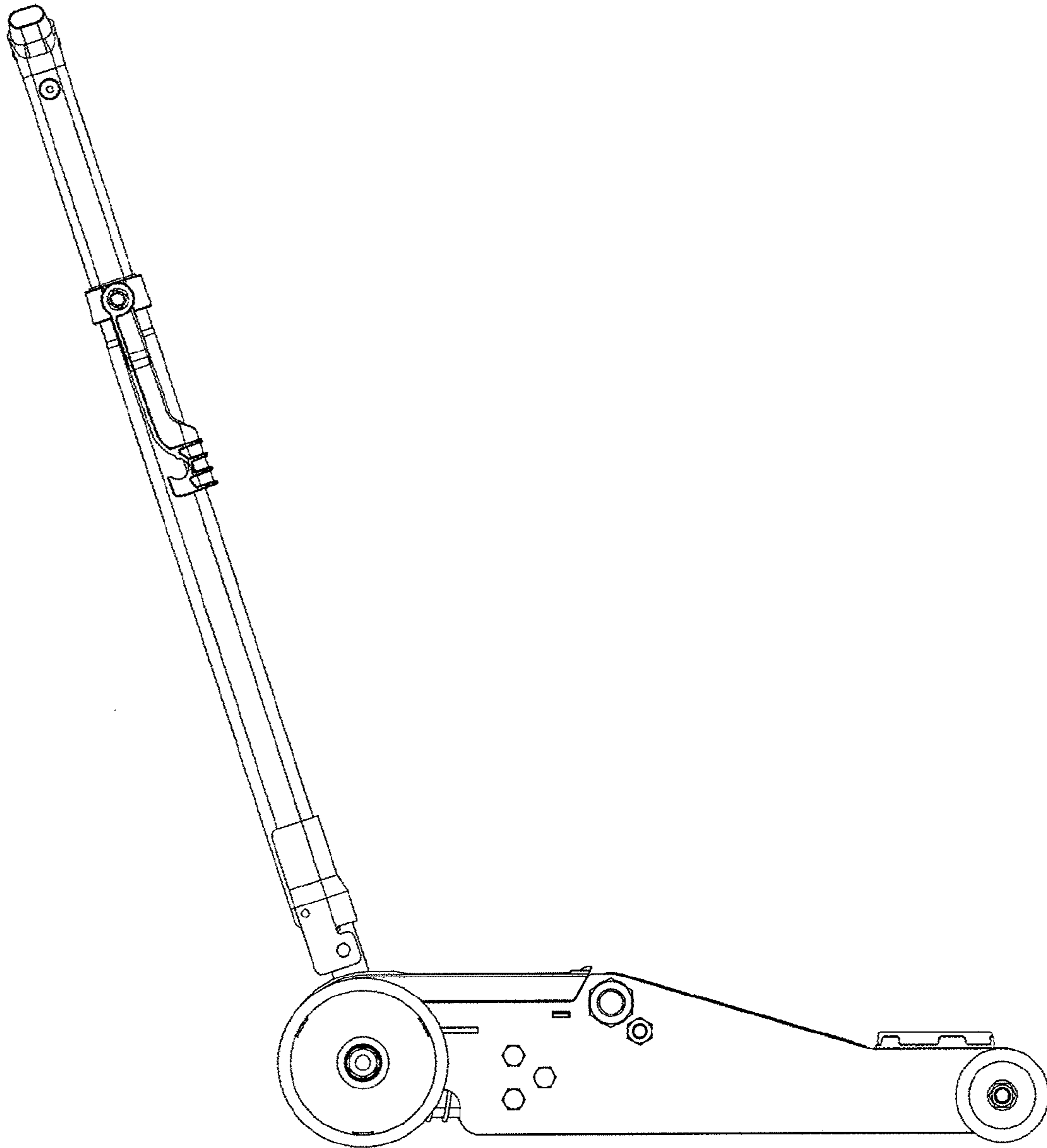


FIG. 5

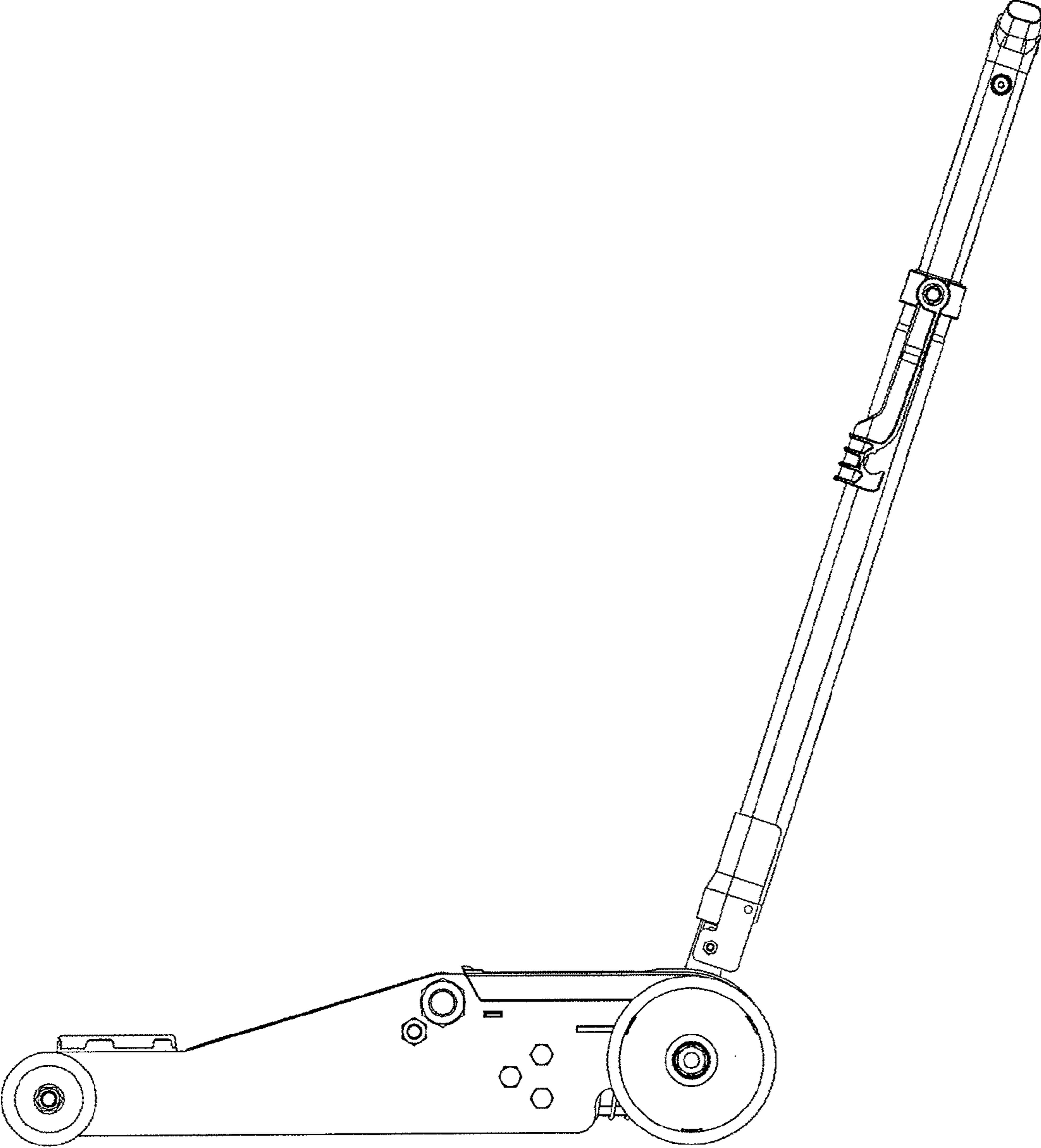


FIG. 6

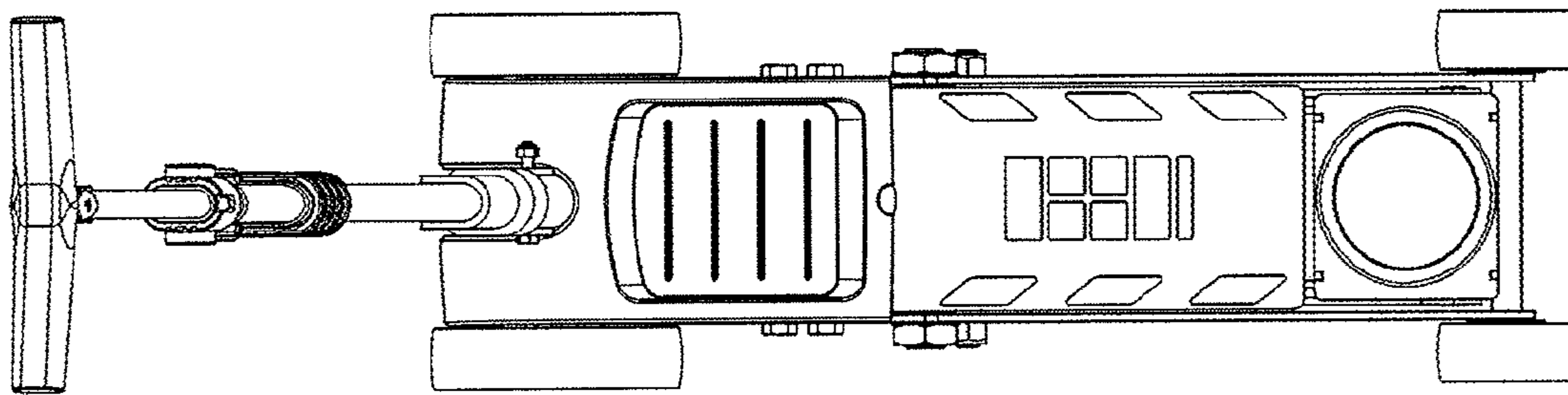


FIG. 7