



US00D760988S

(12) **United States Design Patent**  
**Gieson**

(10) **Patent No.:** **US D760,988 S**  
(45) **Date of Patent:** **\*\* Jul. 5, 2016**

- (54) **BARBECUE GRILL AND SMOKER ASH PAN**
- (71) Applicant: **Grabbin Ash LLC**, North Little Rock, AR (US)
- (72) Inventor: **Shalin Gieson**, North Little Rock, AR (US)
- (73) Assignee: **Grabbin Ash LLC**, North Little Rock, AR (US)

- 5,365,632 A \* 11/1994 Kirchnavy ..... A47L 13/52  
15/257.3
- D381,155 S \* 7/1997 Powers ..... D32/74
- D422,389 S \* 4/2000 Gay ..... D32/74
- 6,233,780 B1 \* 5/2001 Mead ..... A47L 13/52  
15/257.3
- 6,643,892 B1 \* 11/2003 Murphy ..... A47L 13/52  
15/257.3
- D602,214 S \* 10/2009 Petersen ..... D30/162
- D602,657 S \* 10/2009 Petersen ..... D30/162
- D673,340 S \* 12/2012 Dobson, III ..... D32/74
- D720,911 S \* 1/2015 Libman ..... D32/74

(\*\*) Term: **15 Years**

(21) Appl. No.: **29/533,441**

(22) Filed: **Jul. 17, 2015**

(51) **LOC (10) Cl.** ..... **07-05**

(52) **U.S. Cl.**  
USPC ..... **D32/74**

(58) **Field of Classification Search**  
USPC ..... D32/74, 41; D30/162; D7/691, 688;  
D4/116; 15/257.5, 257.3, 257.2, 257.1;  
134/6

CPC ..... A47L 13/52; A47L 13/51; A46B 15/00;  
A46B 15/0097; A46B 15/0095; A46B 17/04;  
A46B 5/00; A46B 2200/302

See application file for complete search history.

(56) **References Cited**

**U.S. PATENT DOCUMENTS**

- D254,286 S \* 2/1980 Daniel ..... D32/74
- D295,336 S \* 4/1988 Kuder ..... D32/74
- D306,927 S \* 3/1990 Kuder ..... D32/74
- D339,437 S \* 9/1993 Hinderer ..... D32/74

**OTHER PUBLICATIONS**

“Ash Shovel for Smokey Mountain Cooker,” <http://store.weber.com/accessories/category/cook/tools/1467> (retrieved Jul. 10, 2015).

\* cited by examiner

*Primary Examiner* — Austin Murphy

(57) **CLAIM**

The ornamental design of a barbecue grill and smoker ash pan, as shown.

**DESCRIPTION**

FIG. 1 is a perspective view of the barbecue grill and smoker ash pan.

FIG. 2 is a front view thereof.

FIG. 3 is a rear view thereof.

FIG. 4 is a left side view thereof.

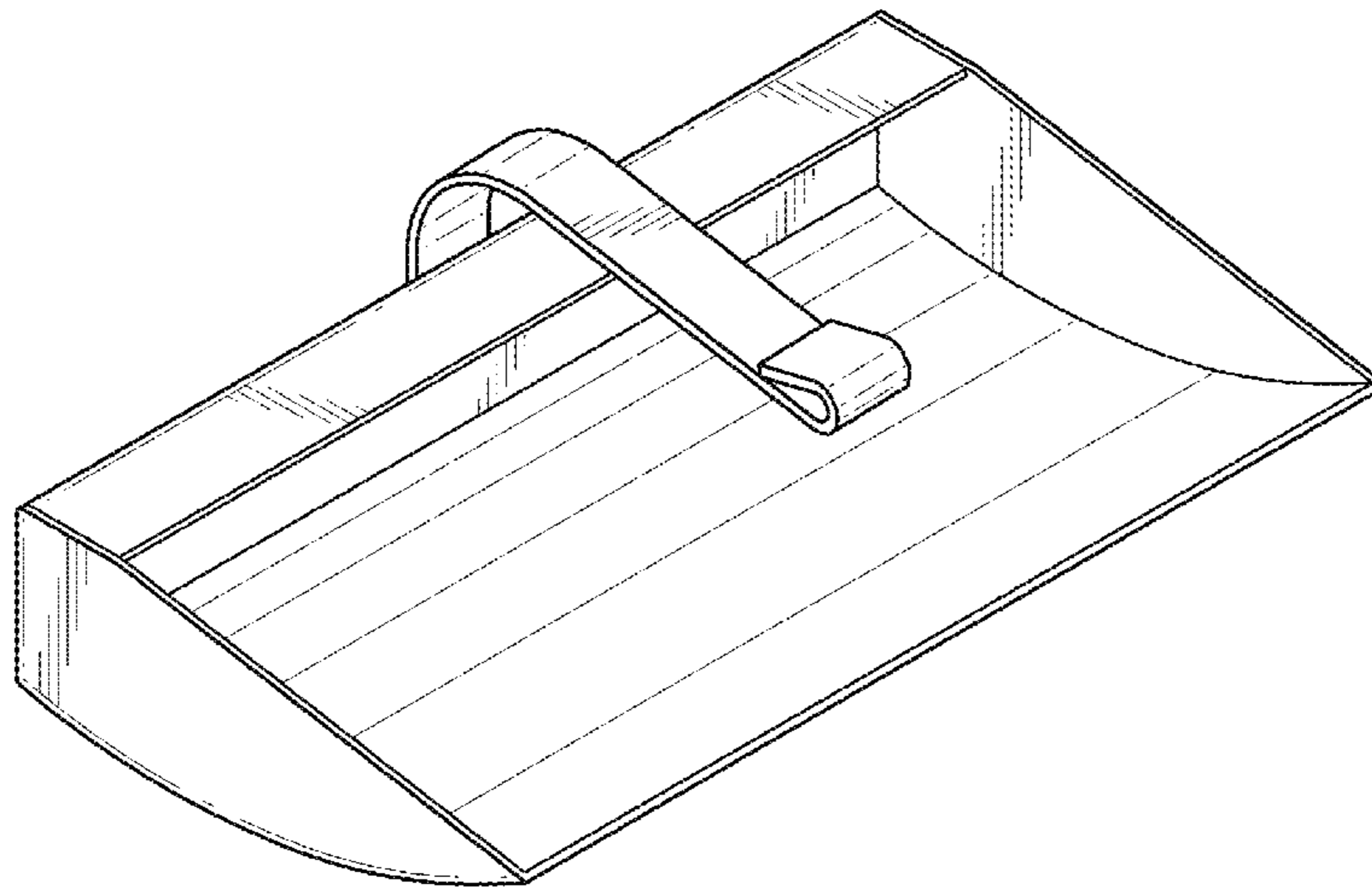
FIG. 5 is a right side view thereof.

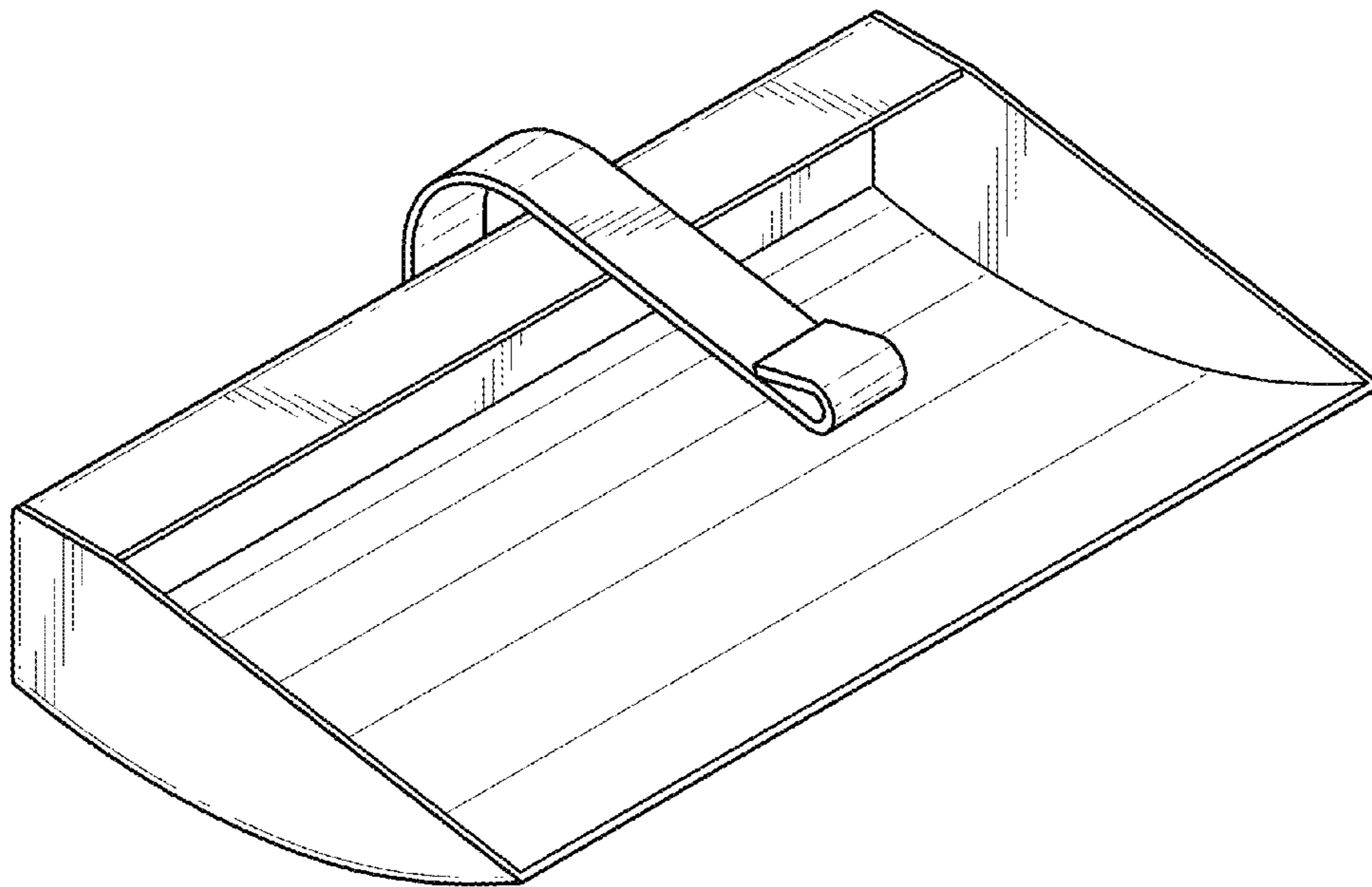
FIG. 6 is a top view thereof; and,

FIG. 7 is a bottom view thereof.

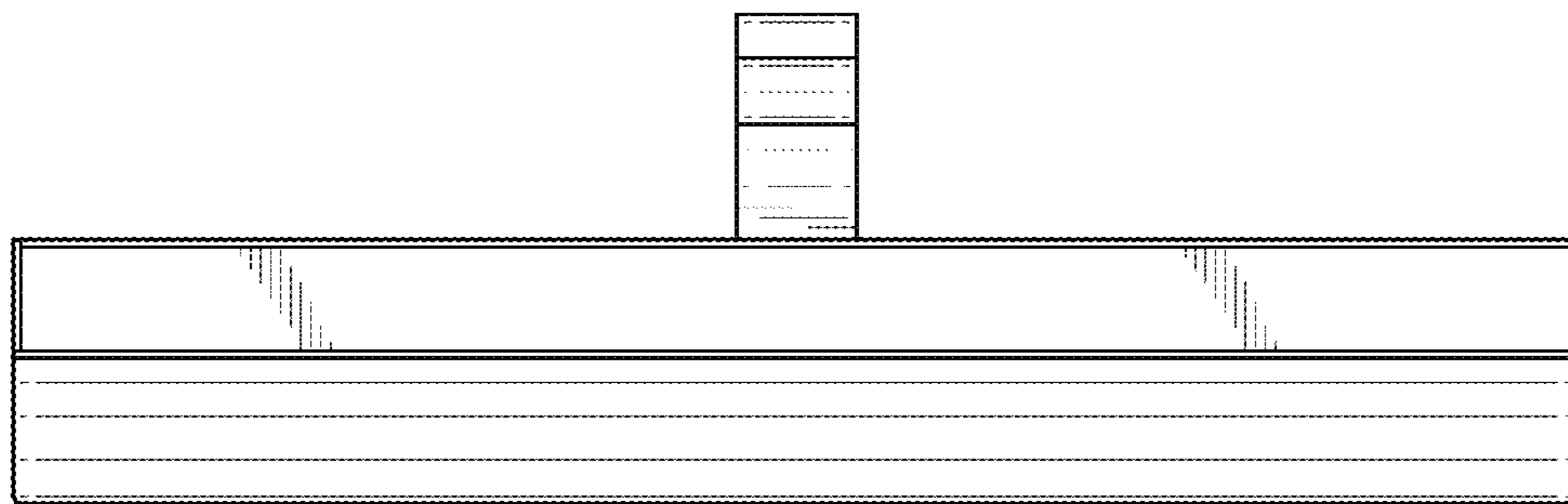
The invention pertains to an ornamental design for an article of manufacture, which can be scaled to different sizes.

**1 Claim, 4 Drawing Sheets**

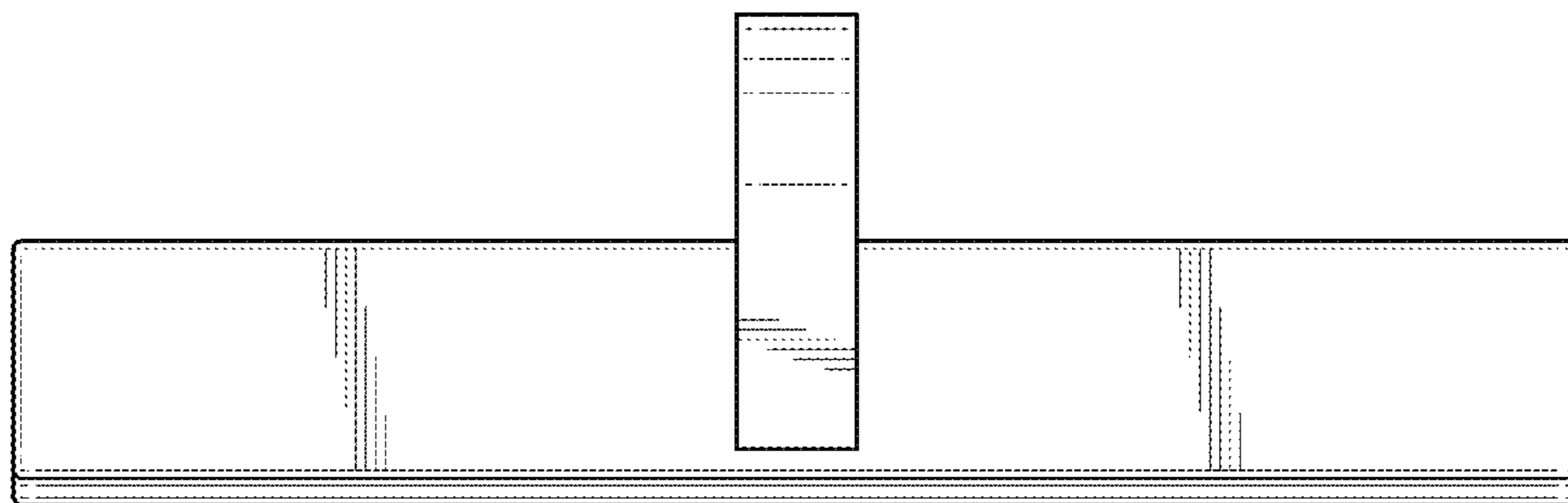




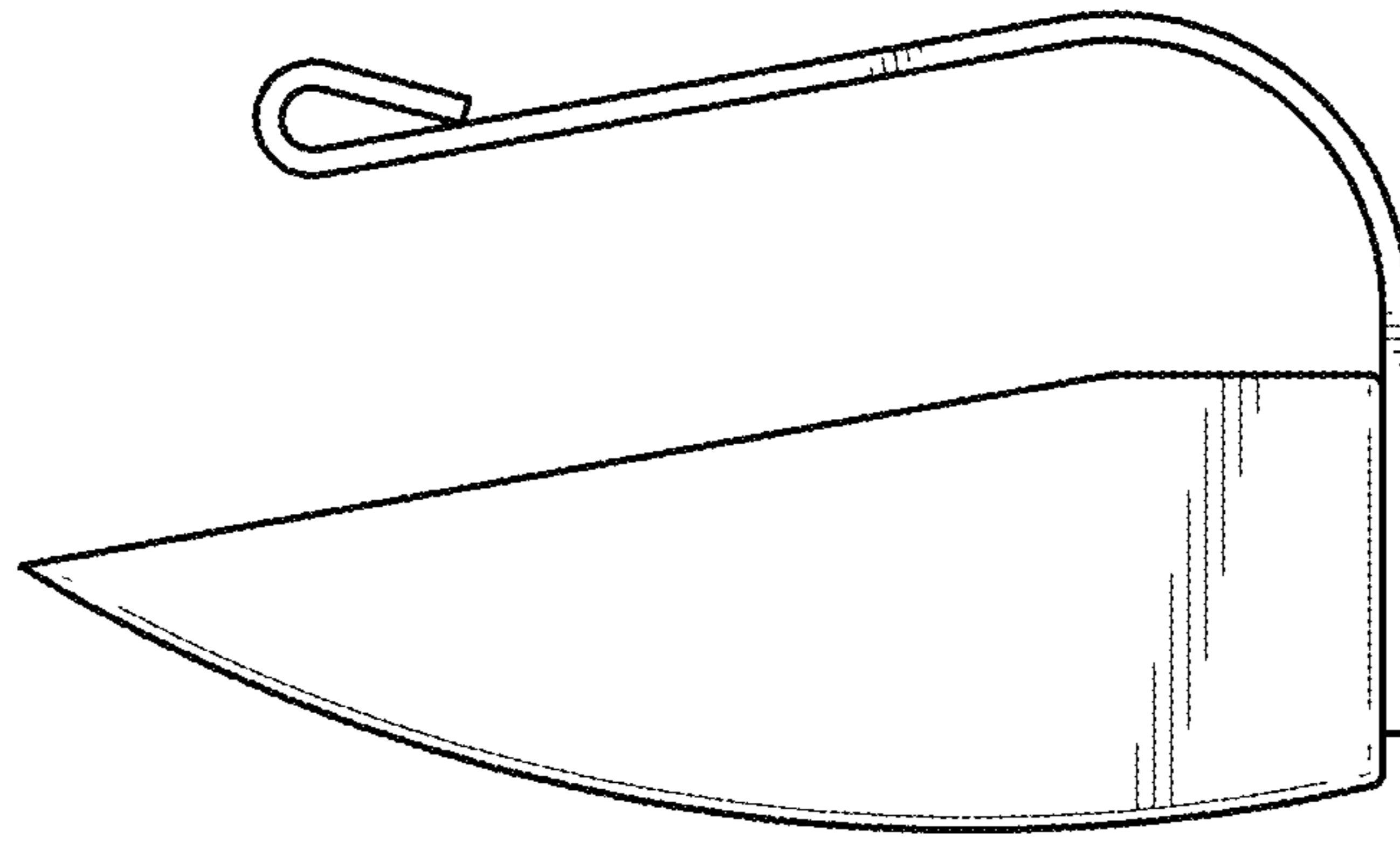
**FIG. 1**



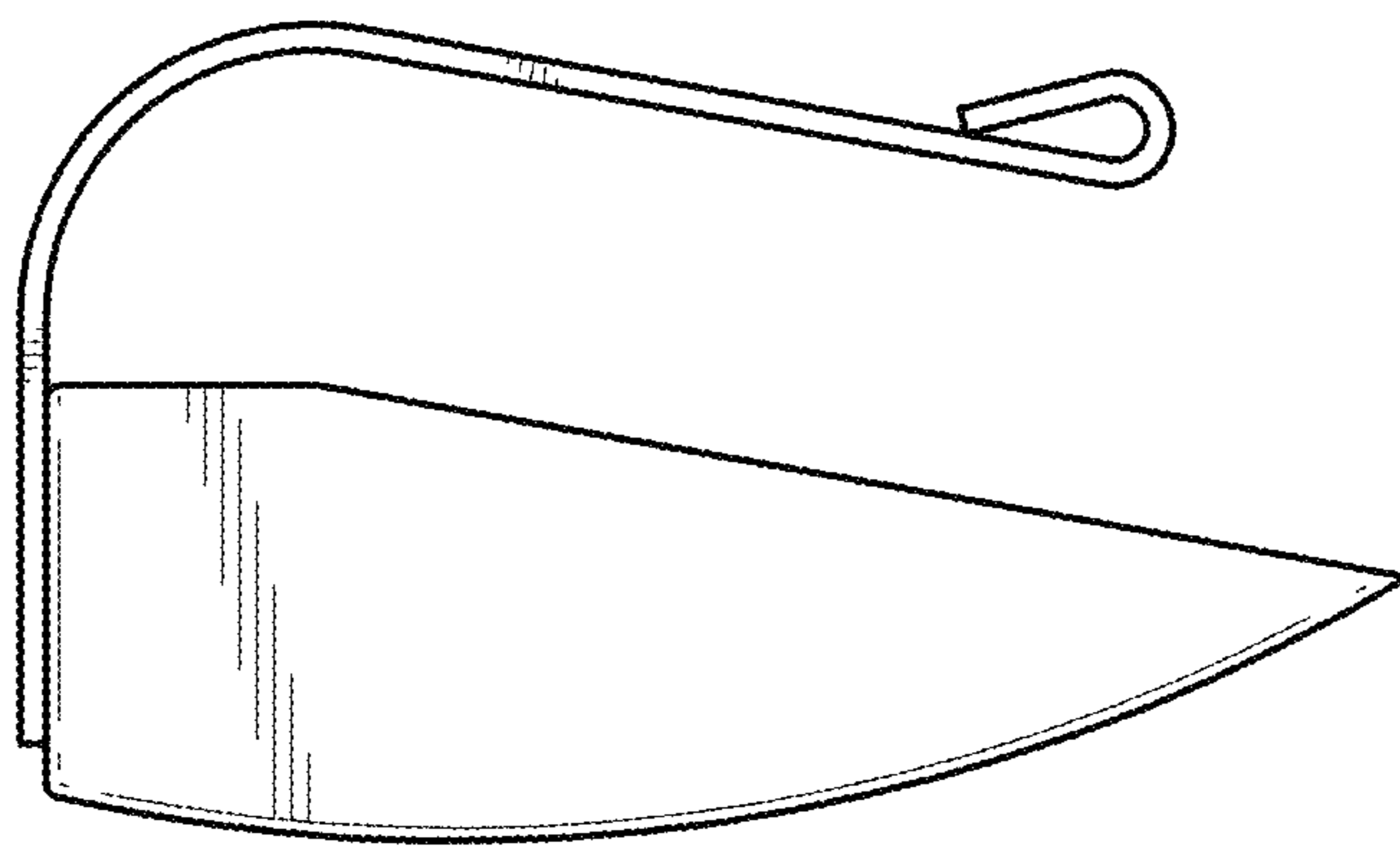
*FIG. 2*



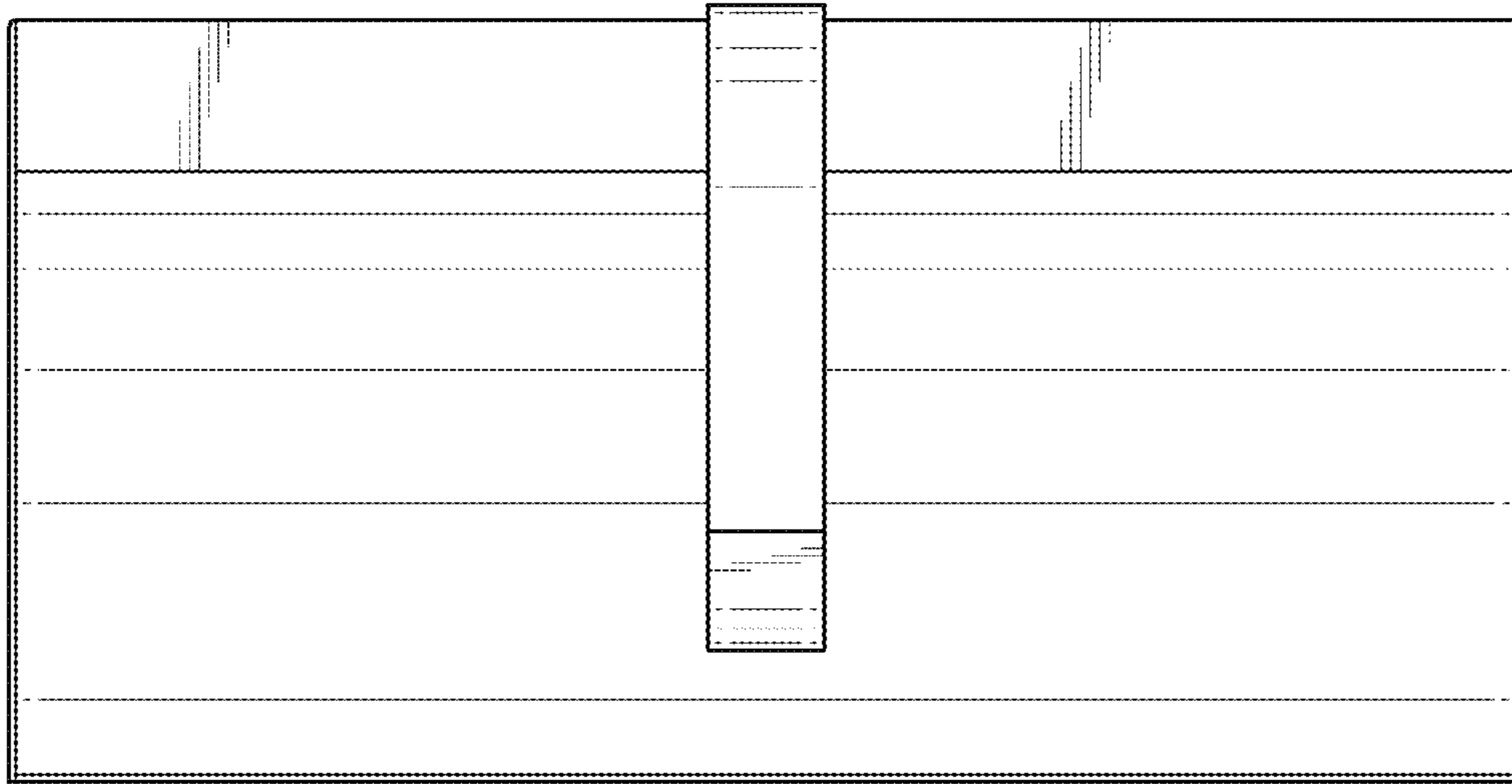
*FIG. 3*



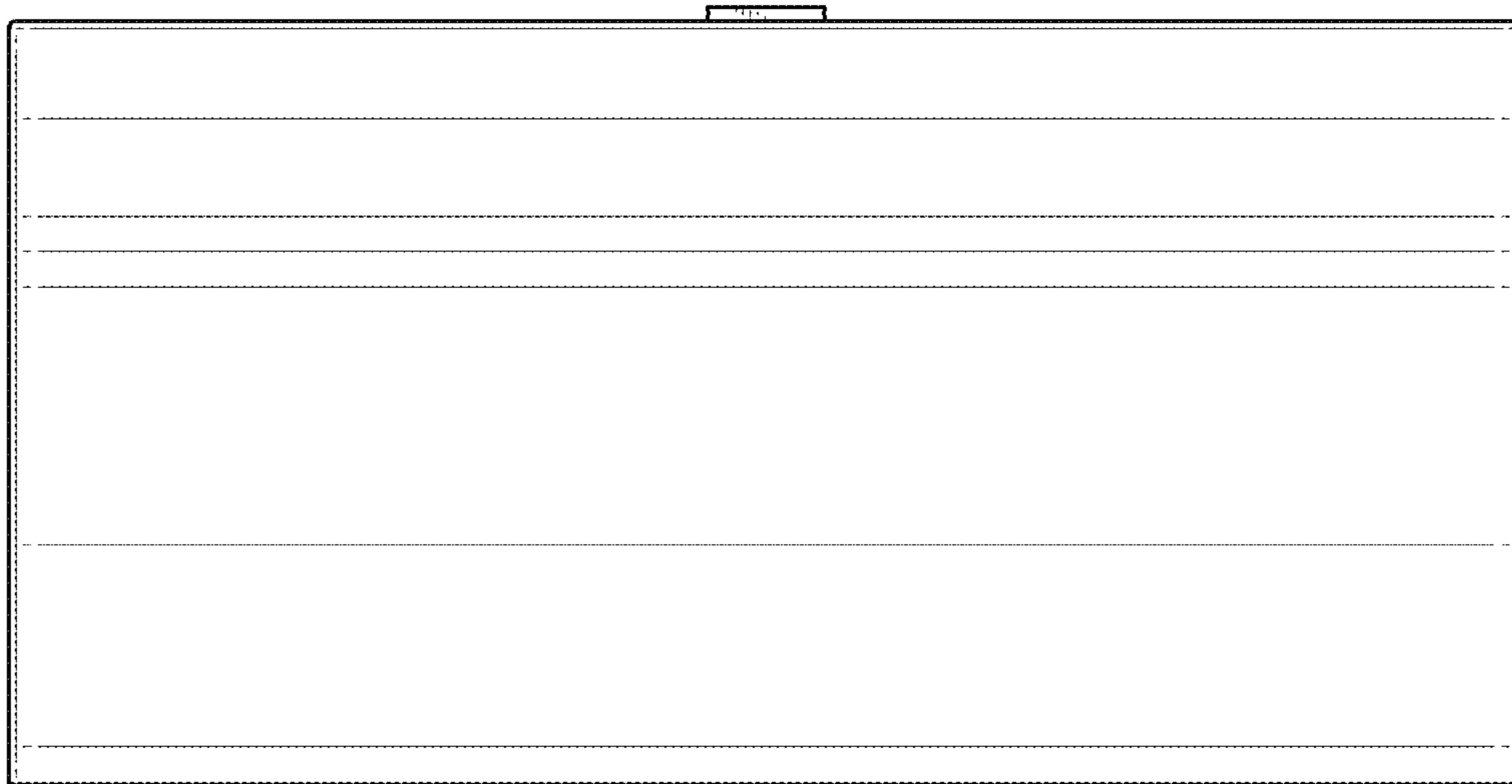
**FIG. 4**



**FIG. 5**



**FIG. 6**



**FIG. 7**