

US00D760986S

(12) **United States Design Patent**
Joo et al.

(10) **Patent No.:** **US D760,986 S**
(45) **Date of Patent:** **** Jul. 5, 2016**

(54) **WASHBOARD FOR WASHING MACHINE**

2,704,448 A * 3/1955 Pettit D06F 3/02
68/229
D189,496 S * 12/1960 Kinyon D32/67
D193,208 S * 7/1962 Graham D32/67

(71) Applicant: **Samsung Electronics Co., Ltd.**,
Suwon-si (KR)

(Continued)

(72) Inventors: **Ah-Jung Joo**, Seoul (KR); **Sung-Kyung Lee**, Seoul (KR)

FOREIGN PATENT DOCUMENTS

EM 0007373410002 6/2007
EM 0007373410005 6/2007

(73) Assignee: **SAMSUNG ELECTRONICS CO., LTD.** (KR)

(Continued)

(**) Term: **14 Years**

OTHER PUBLICATIONS

(21) Appl. No.: **29/523,408**

Whirlpool Home Appliances, Copyright 2015 Whirlpool of India, p. 1, Retrieved from the Internet on Apr. 9, 2015 <URL:http://www.whirlpoolindia.com/washing-machine/semi-automatic/ace-7_2-premier>.

(22) Filed: **Apr. 9, 2015**

(30) **Foreign Application Priority Data**

Primary Examiner — T. Chase Nelson

Assistant Examiner — Michelle E Wilson

Oct. 10, 2014 (KR) 30-2014-0048842

(74) *Attorney, Agent, or Firm* — Cantor Colburn LLP

(51) **LOC (10) Cl.** **07-05**

(57) **CLAIM**

(52) **U.S. Cl.**
USPC **D32/67; D32/25**

The ornamental design for a washboard for washing machine, as shown and described.

(58) **Field of Classification Search**
USPC D32/25, 67, 53, 53.1, 54
CPC D06F 3/02; D06F 3/00; D06F 1/04;
G10D 13/06

DESCRIPTION

See application file for complete search history.

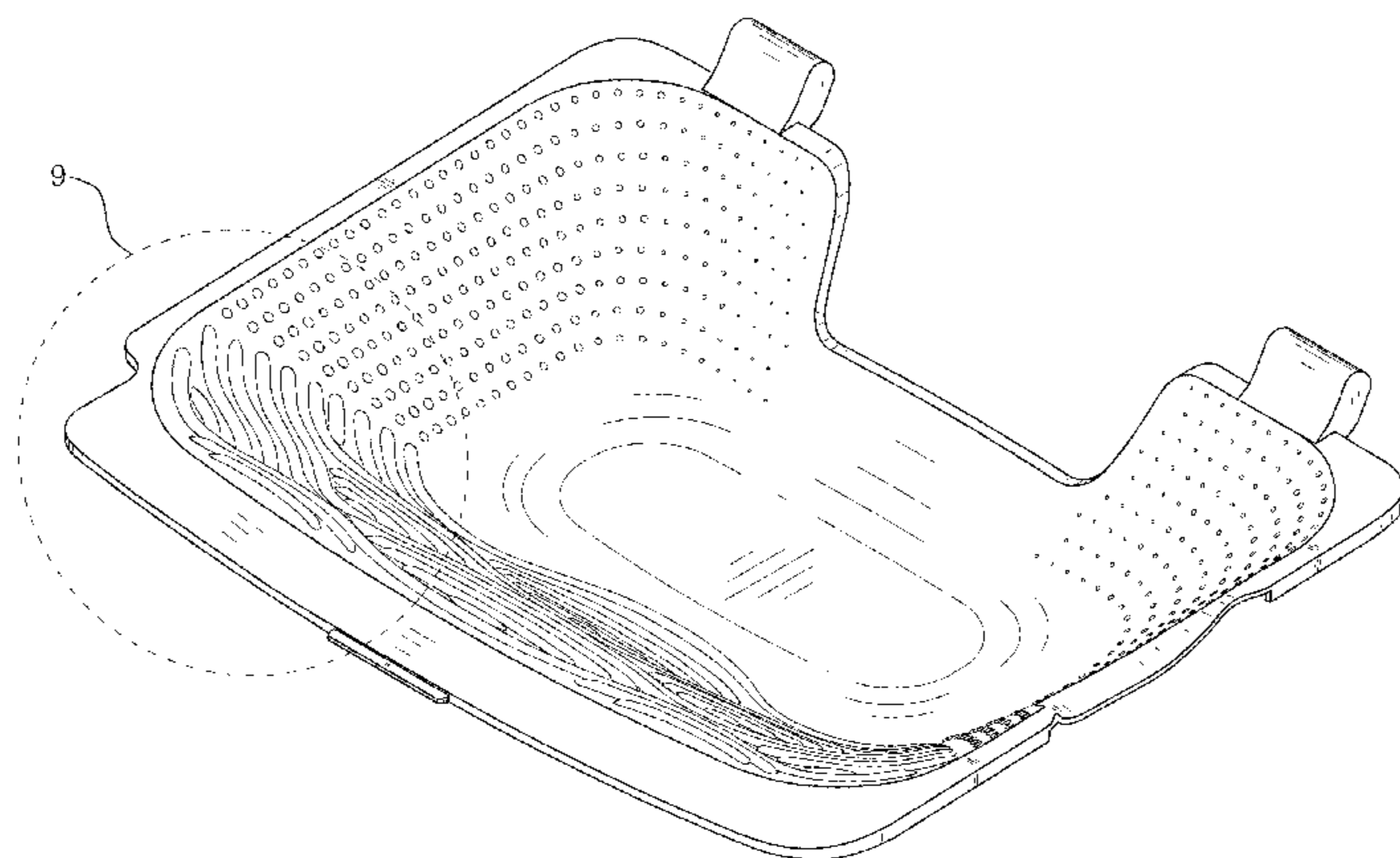
FIG. 1 is a perspective view of a washboard for washing machine, showing our new design;
FIG. 2 is a front view thereof;
FIG. 3 is a rear view thereof;
FIG. 4 is a left side view thereof;
FIG. 5 is right side view thereof;
FIG. 6 is a top view thereof;
FIG. 7 is a bottom view thereof;
FIG. 8 is a cross-sectional view taken along line 8-8 thereof shown in FIG. 6;
FIG. 9 is an enlarged view showing the portion encircled by broken lines and labeled 9 in FIG. 1; and,
FIG. 10 is another perspective view thereof in an environment of use.
The broken lines are for environmental purpose only and form no part of the claimed design.

(56) **References Cited**

U.S. PATENT DOCUMENTS

1,556,481 A * 10/1925 St Amour D06F 3/02
68/214
1,592,103 A * 7/1926 Gunuskey D06F 3/00
68/63
1,814,698 A * 7/1931 Huber D06F 1/04
68/233
2,129,079 A * 9/1938 Adams D06F 3/02
68/223
2,431,539 A * 11/1947 Campanell D06F 3/02
248/27.5
D153,319 S * 4/1949 Rabinowitz D32/67
2,504,819 A * 4/1950 Flores D06F 3/02
68/224

1 Claim, 10 Drawing Sheets



US D760,986 S

Page 2

(56)

References Cited

U.S. PATENT DOCUMENTS

3,664,160 A * 5/1972 Muniz D06F 3/00
68/224
D235,001 S * 4/1975 Sunday D32/67
D235,002 S * 4/1975 Sunday D32/67
D237,448 S * 11/1975 Sunday D32/67
D254,230 S * 2/1980 Sanger D32/67
D259,993 S * 7/1981 Kunze D32/67

4,756,439 A * 7/1988 Perock D06F 1/04
15/264
6,169,237 B1 * 1/2001 Sanders G10D 13/06
84/102
D549,915 S * 8/2007 Pastrana-Rangel D32/67

FOREIGN PATENT DOCUMENTS

EM 0015842440001 7/2009
KR 300651269 7/2012

* cited by examiner

FIG. 1

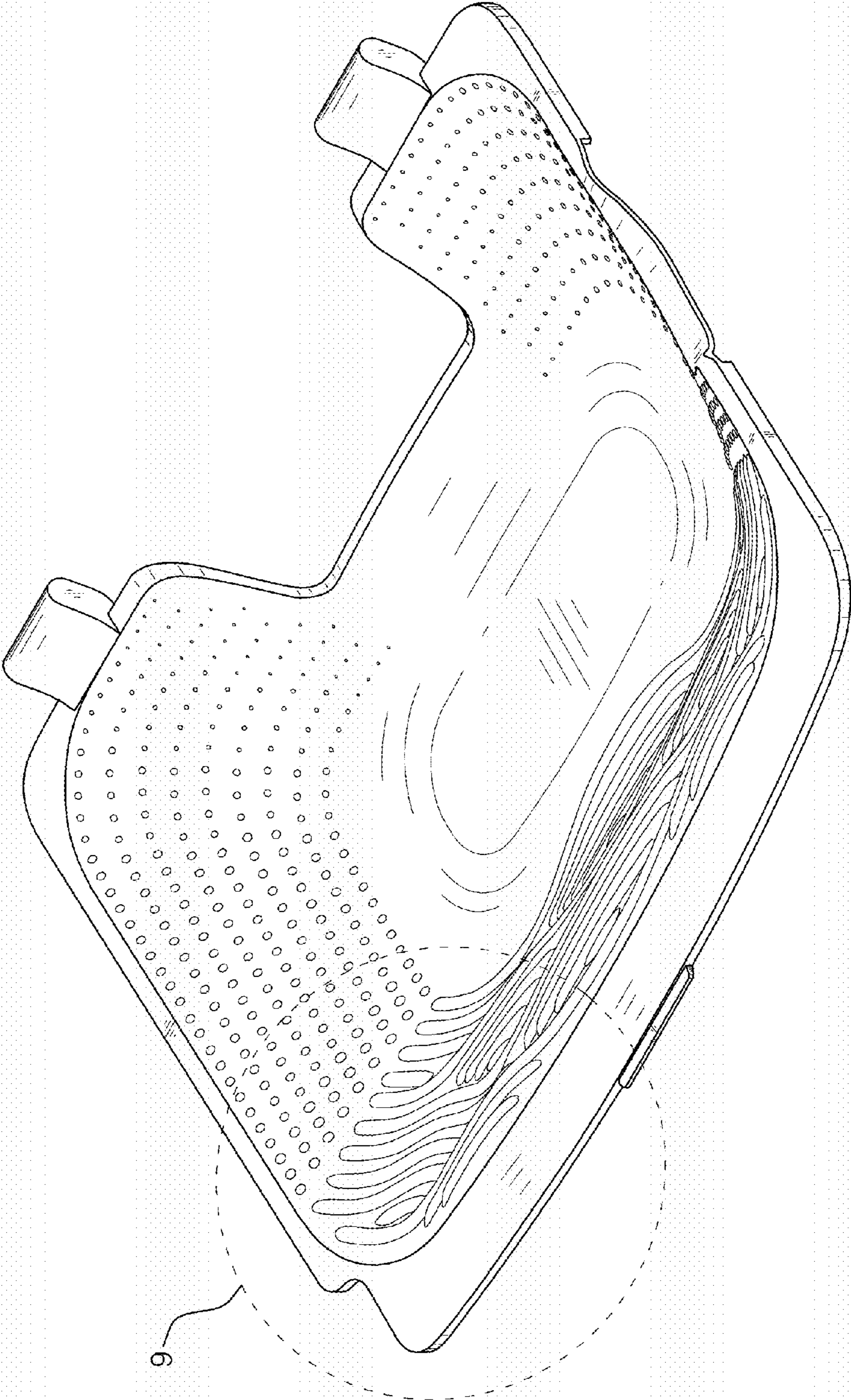


FIG. 2

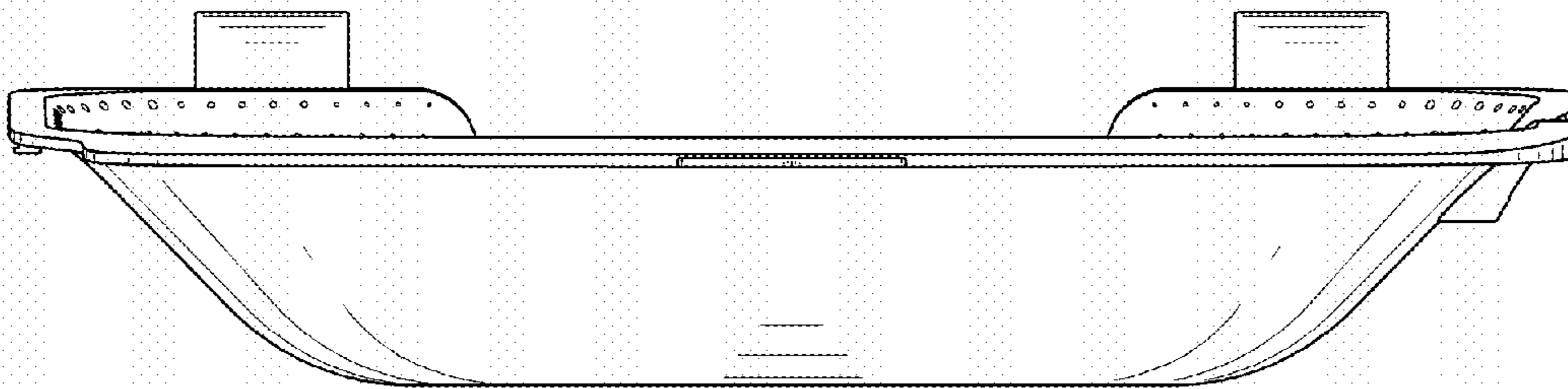


FIG. 3

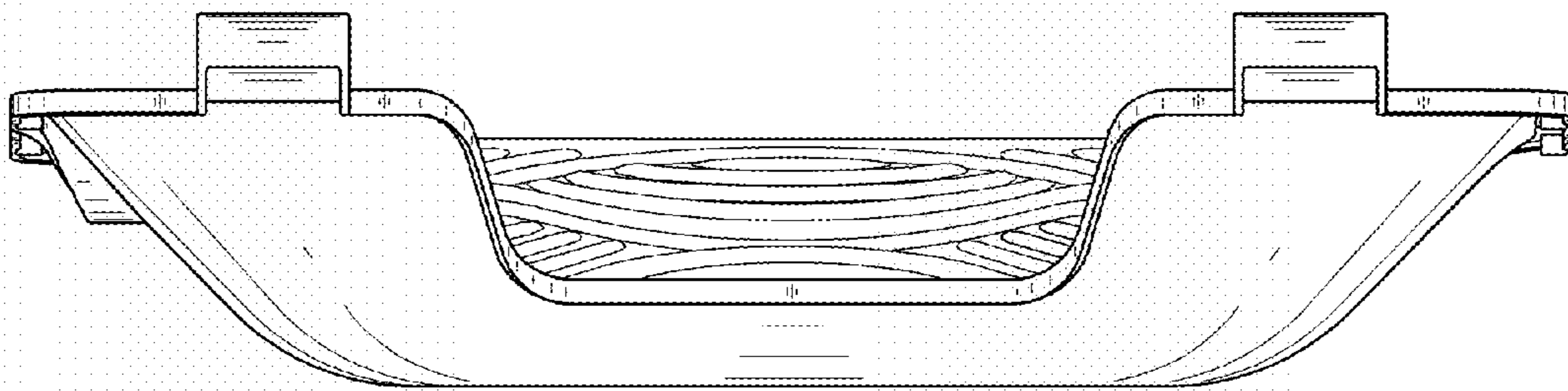


FIG. 4

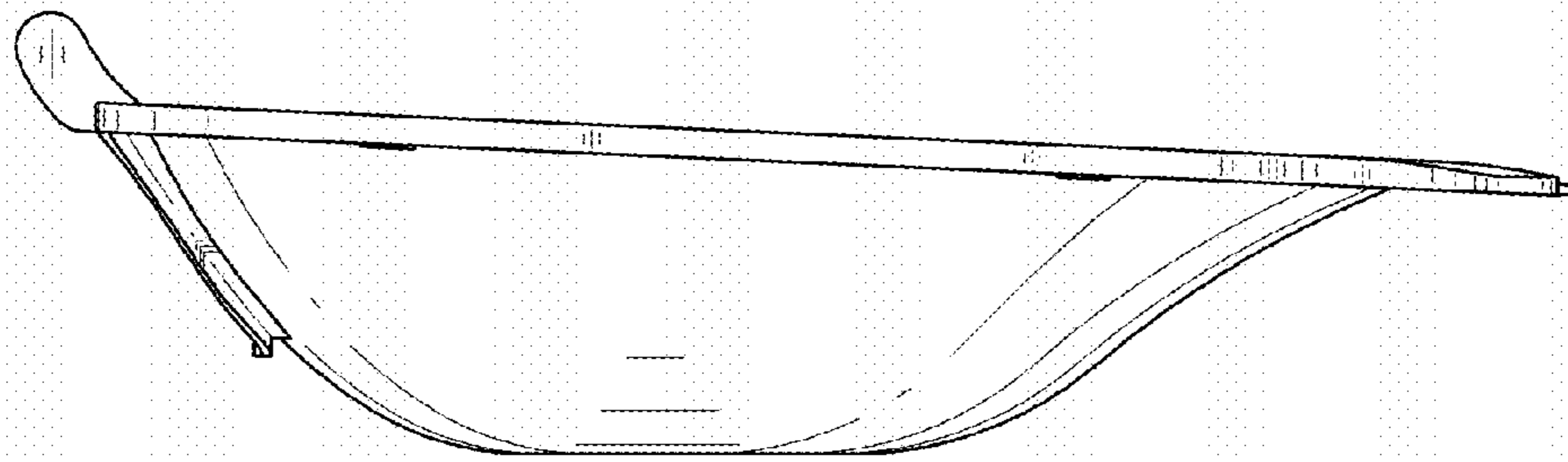


FIG. 5

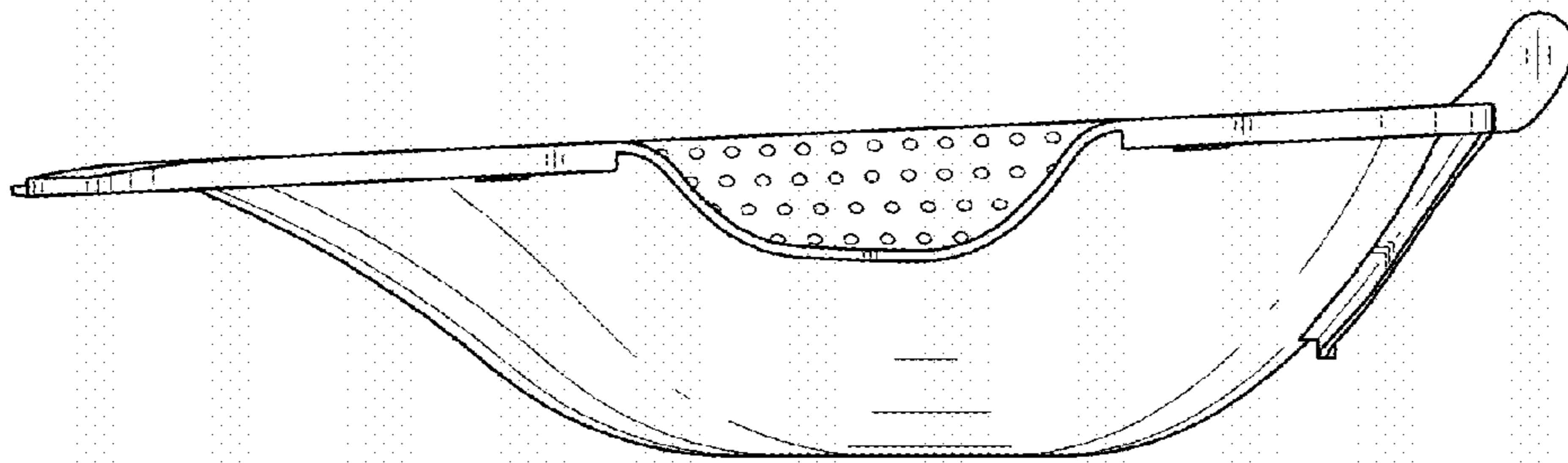


FIG. 6

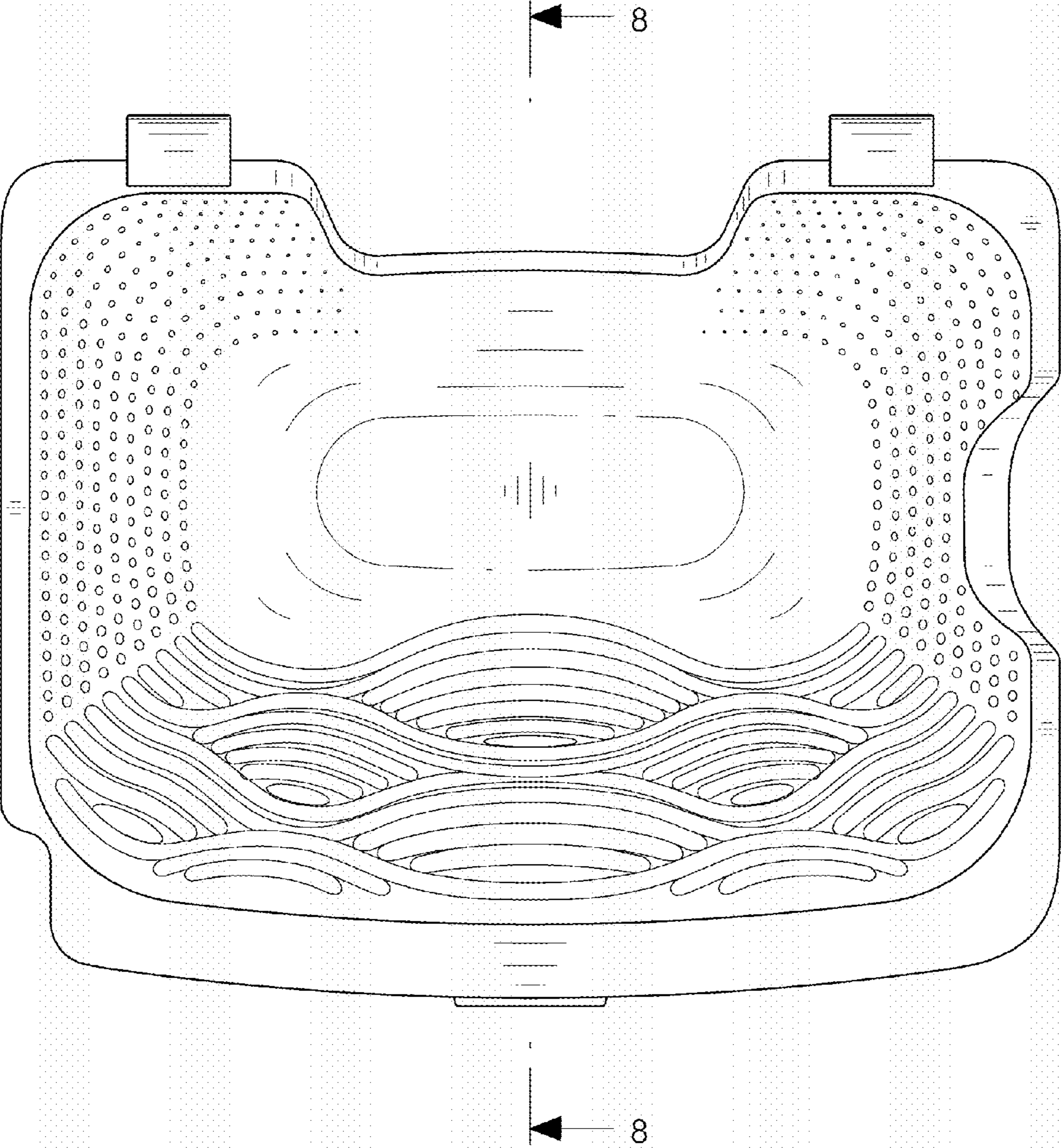


FIG. 7

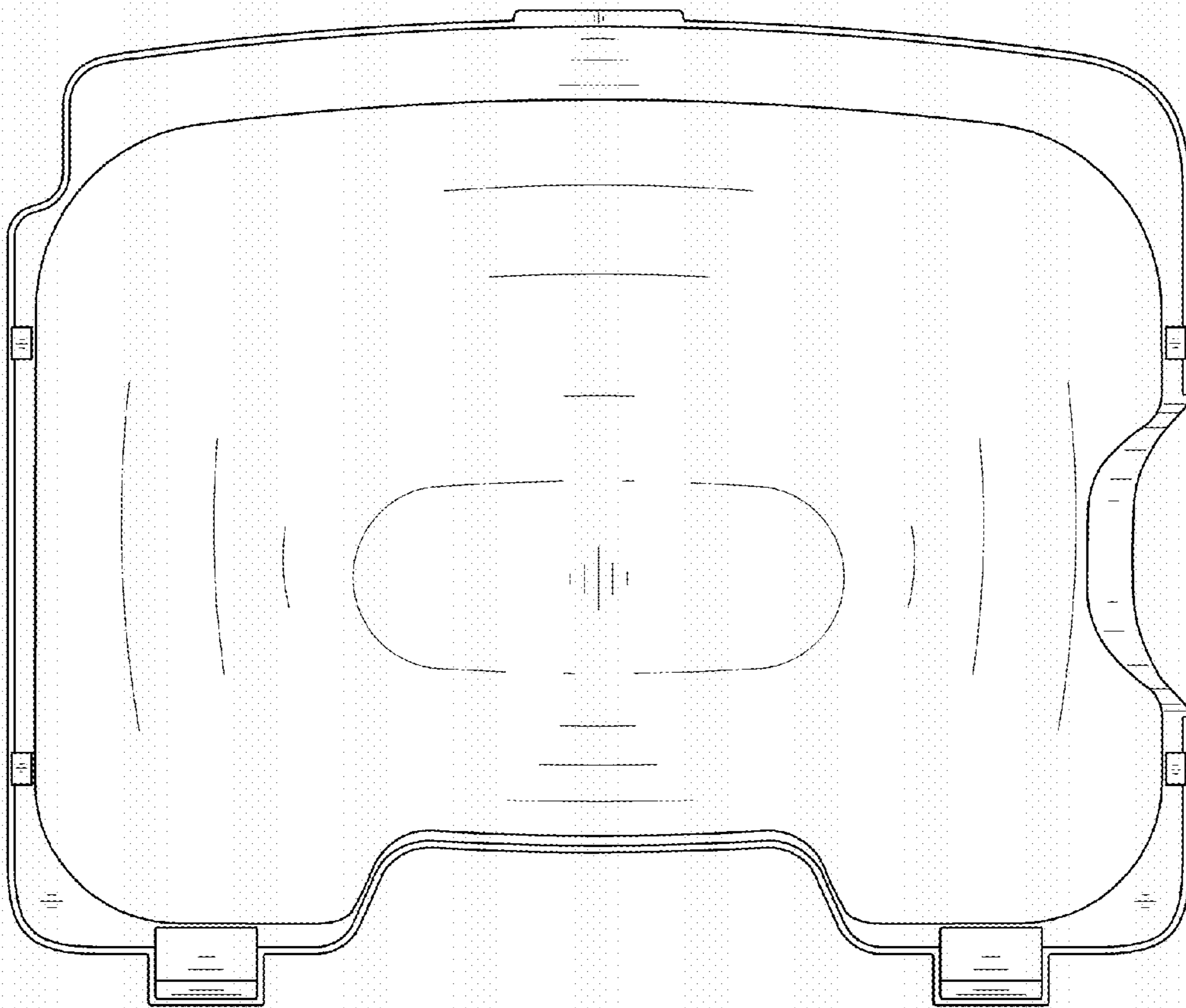


FIG. 8

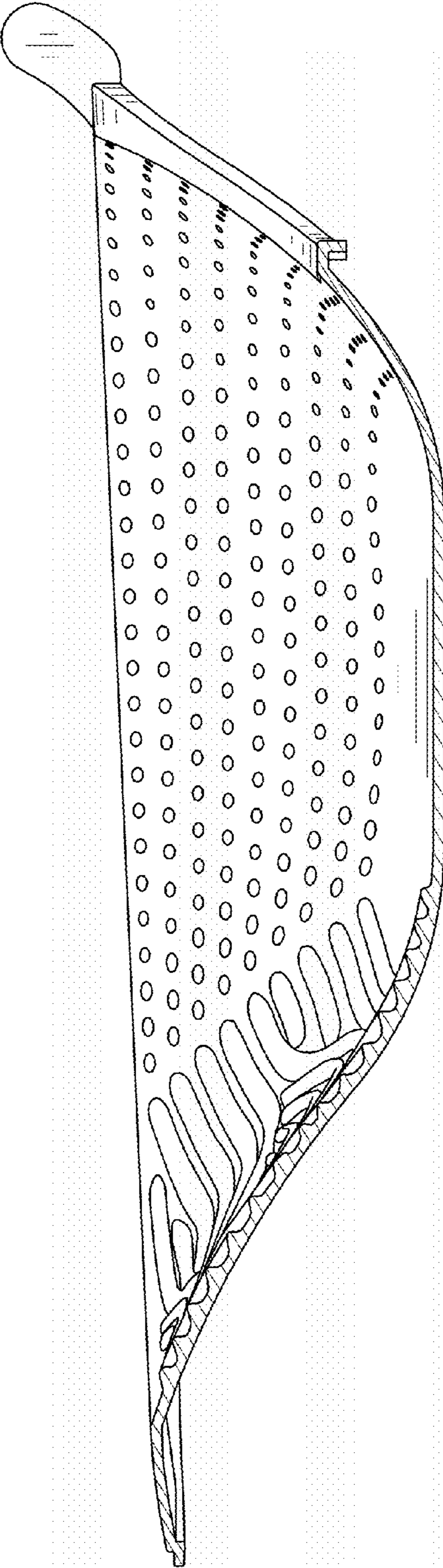


FIG. 9

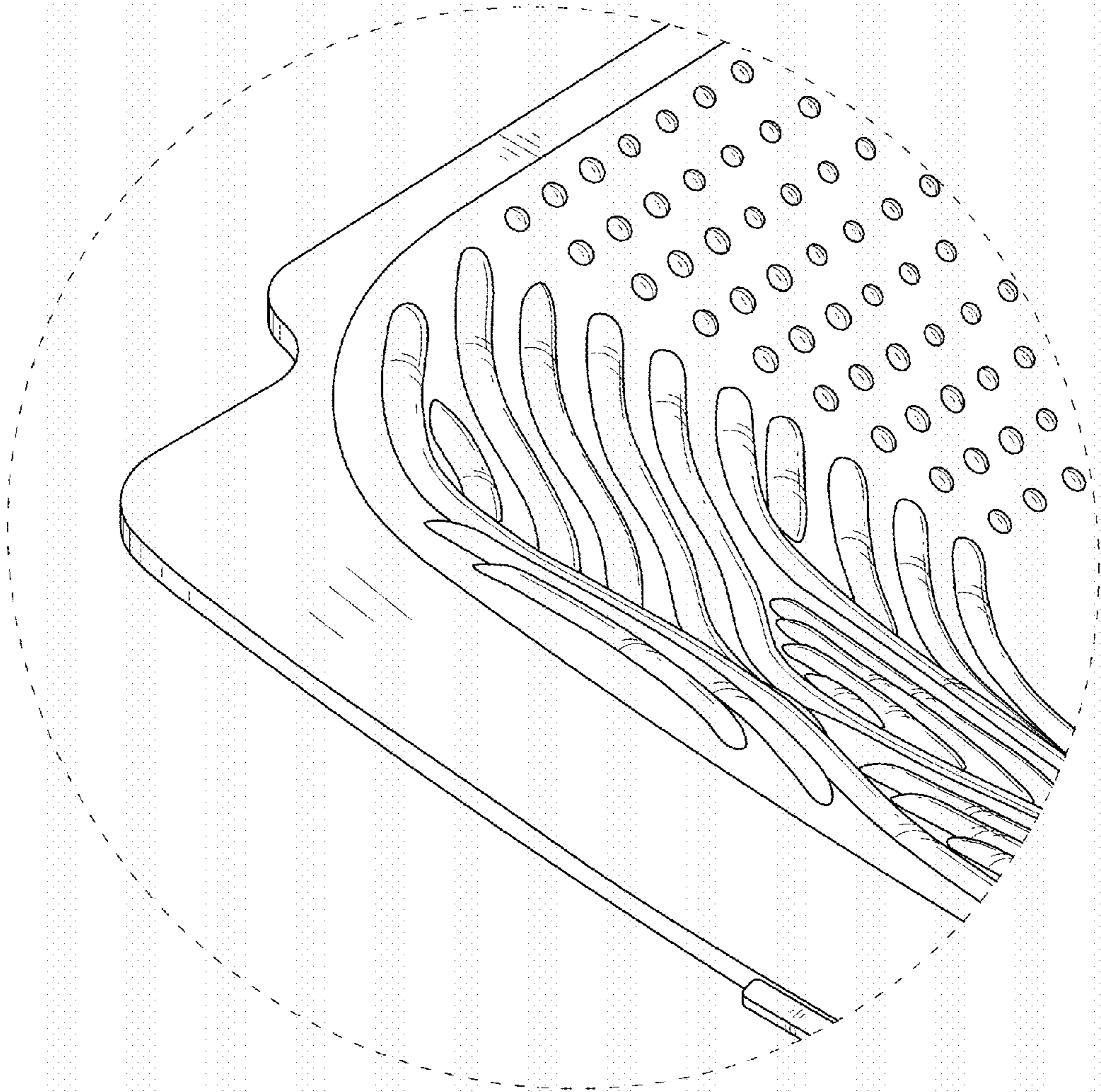


FIG. 10

