



US00D760984S

(12) **United States Design Patent**
Eilmus et al.

(10) **Patent No.:** **US D760,984 S**
(45) **Date of Patent:** **** Jul. 5, 2016**

(54) **SINK ACCESSORY**

(71) Applicant: **Kohler Co.**, Kohler, WI (US)

(72) Inventors: **Niels J. Eilmus**, Sheboygan, WI (US);
Jason R. Miller, Sheboygan Falls, WI (US)

(73) Assignee: **KOHLER CO.**, Kohler, WI (US)

(**) Term: **15 Years**

(21) Appl. No.: **29/548,009**

(22) Filed: **Dec. 9, 2015**

Related U.S. Application Data

(62) Division of application No. 29/452,537, filed on Apr. 17, 2013, now Pat. No. Des. 747,056.

(51) **LOC (10) Cl.** **07-05**

(52) **U.S. Cl.**
USPC **D32/55**

(58) **Field of Classification Search**
USPC D32/55, 276, 3, 58; D6/510, 525, 536,
D6/553, 566, 678.4, 537; D30/133;
211/41.5, 41.4, 41.3, 41.8; 361/679.4;
312/311, 333, 334.4; D7/354, 629, 631
CPC A47J 47/20; A47J 2201/00; A47J 47/00;
B65D 35/02; B65D 35/22; B65D 35/56
See application file for complete search history.

(56) **References Cited**

U.S. PATENT DOCUMENTS

477,137 A 6/1892 Mesick
611,561 A 9/1898 Cook
1,580,847 A 4/1926 Moineau

D97,654 S 11/1935 Watral
D175,245 S 8/1955 Bertone
2,925,919 A 2/1960 Duncan
D194,056 S 11/1962 Chapman
D247,416 S 3/1978 Berman et al.
D268,878 S 5/1983 Taylor

(Continued)

FOREIGN PATENT DOCUMENTS

DE 102009035657 2/2011
GB 2493937 2/2013

OTHER PUBLICATIONS

Kohler "Fixtures" Product Catalog 2011; pp. 377-383.

Primary Examiner — Austin Murphy

(74) *Attorney, Agent, or Firm* — Foley & Lardner LLP

(57) **CLAIM**

We claim the ornamental design for a sink accessory, as shown and described.

DESCRIPTION

FIG. 1 is a perspective view of another embodiment of the claimed design;

FIG. 2 is a perspective view of the design of FIG. 1;

FIG. 3 is a top plan view of the design of FIG. 1;

FIG. 4 is a bottom plan view of the design of FIG. 1;

FIG. 5 is a front plan view of the design of FIG. 1;

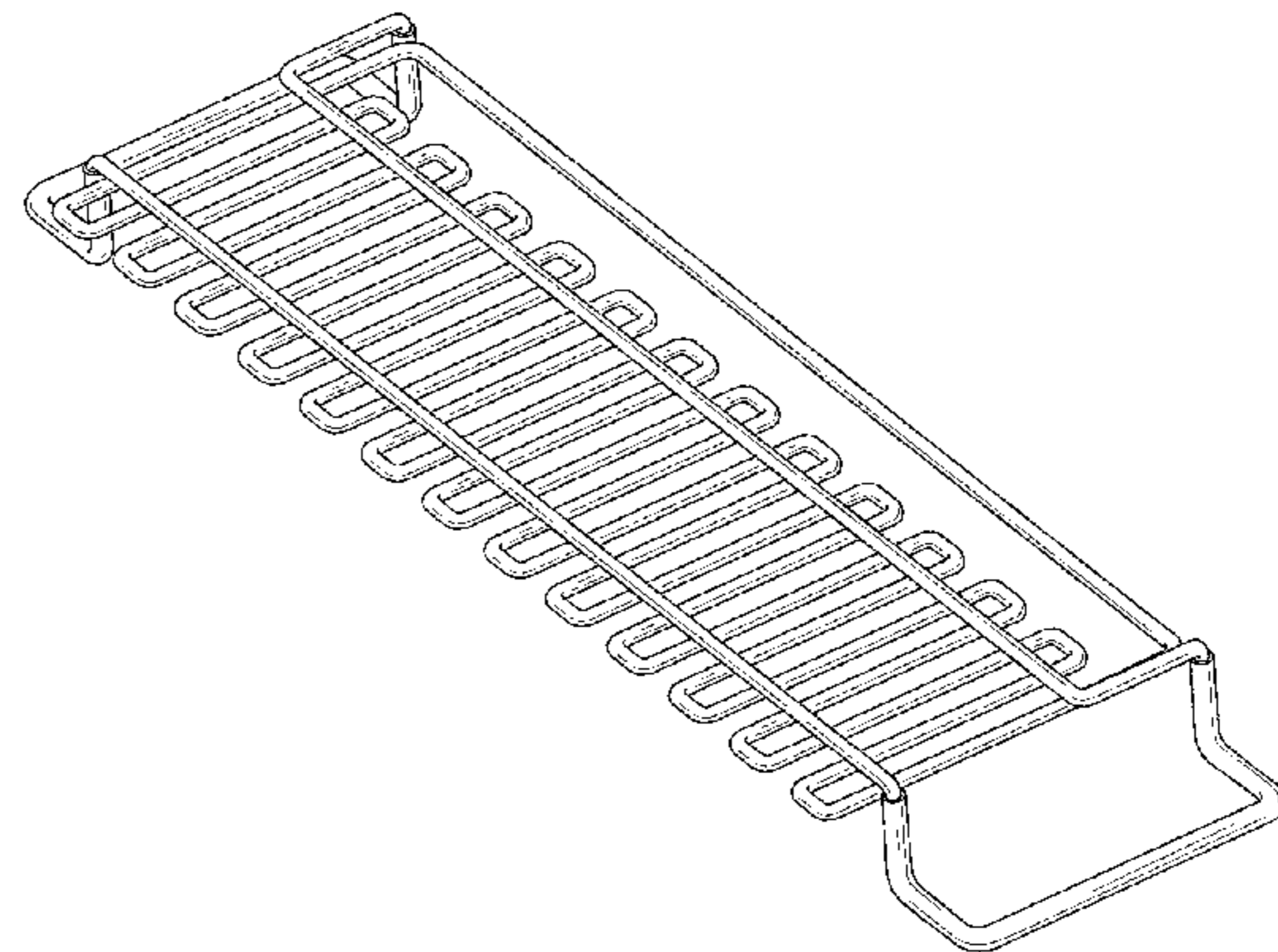
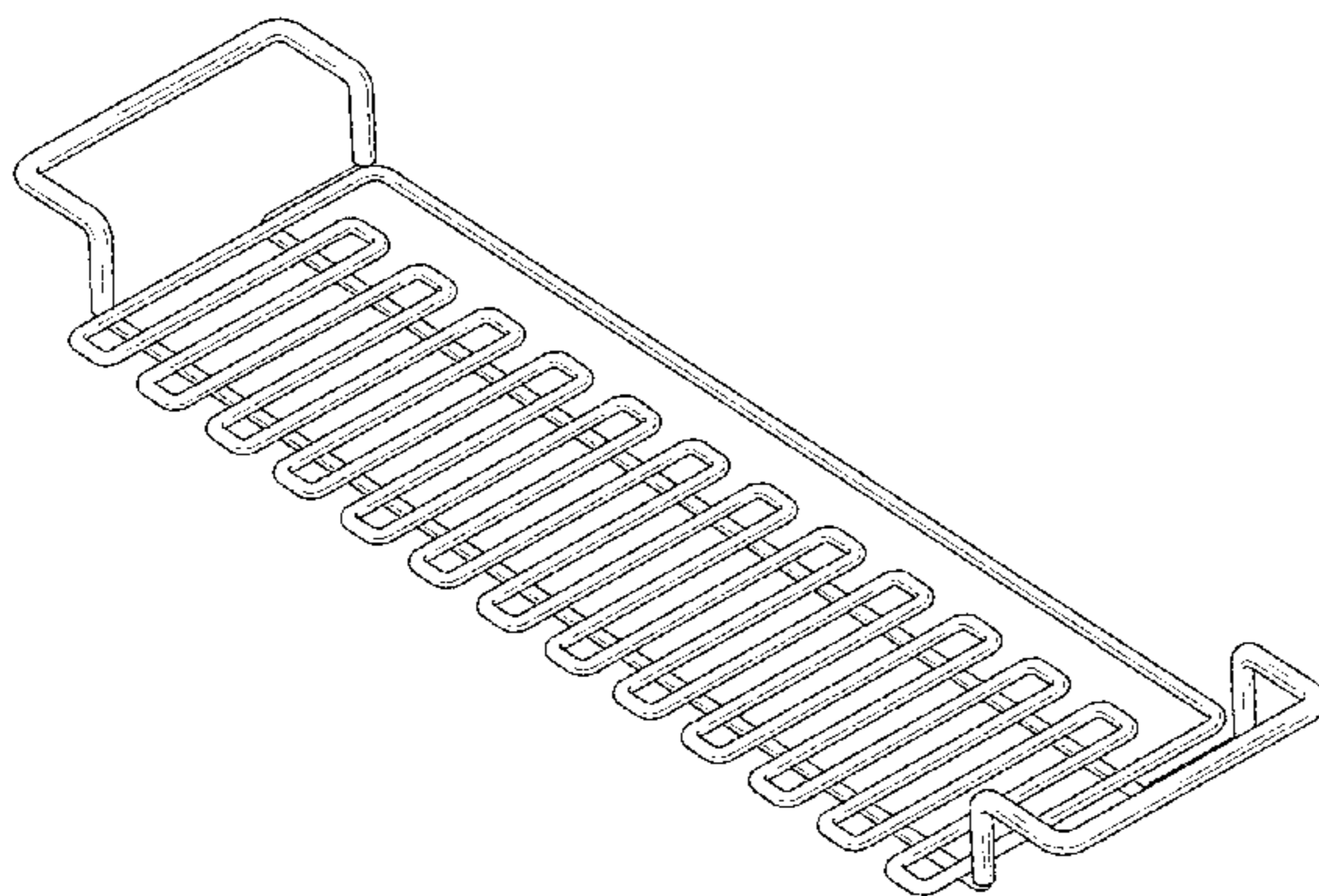
FIG. 6 is a rear plan view of the design of FIG. 1;

FIG. 7 is a right plan view of the design of FIG. 1; and,

FIG. 8 is a left plan view of the design of FIG. 1.

The ornamental design which is claimed is shown in solid lines in the drawings. The broken lines in the drawings are for illustrative purposes only and form no part of the claimed design.

1 Claim, 4 Drawing Sheets



(56)

References Cited

U.S. PATENT DOCUMENTS

D362,943 S	10/1995	Licari				
5,547,087 A	8/1996	Licari				
5,865,325 A	2/1999	Comstock				
D416,364 S	11/1999	Newhall				
D439,716 S	3/2001	Wright				
6,341,704 B1	1/2002	Michel, Jr.				
D473,359 S	4/2003	Joseph				
D518,615 S	4/2006	Yang et al.				
D518,936 S	4/2006	Yang et al.				
D520,699 S	5/2006	Yang et al.				
7,228,975 B2 *	6/2007	Yang	A47L 19/04			
			211/41.4			
D554,318 S	10/2007	Yang et al.				
D583,119 S	12/2008	Sofy et al.				
D592,016 S *	5/2009	Goodman	D7/624.1			
D595,914 S	7/2009	Housley				
D608,112 S	1/2010	Eilmus				
D630,396 S	1/2011	Yang et al.				
D667,655 S *	9/2012	Goodman	D6/683			
D687,610 S	8/2013	Jonsson et al.				
D693,081 S	11/2013	Yang et al.				
D695,982 S	12/2013	Jonsson				
D695,983 S	12/2013	Jonsson				
D706,009 S	5/2014	Cooper				
8,801,926 B2	8/2014	Housley				
D724,387 S *	3/2015	Tsai	D7/600.1			
9,022,329 B2	5/2015	Gallup				
D736,547 S *	8/2015	Morales	D6/678.4			
D741,563 S *	10/2015	Ouyang	D32/58			
9,163,780 B2 *	10/2015	McDonald	F16M 13/02			
D742,669 S *	11/2015	Chang	D6/705.6			
D747,056 S *	1/2016	Eilmus	D32/55			
D747,057 S *	1/2016	Eilmus	D32/55			
D747,058 S *	1/2016	Eilmus	D32/55			
2006/0289372 A1 *	12/2006	Yang	A47L 19/02			
			211/41.3			
2008/0083678 A1 *	4/2008	Graute	A47L 15/505			
			211/41.8			
2010/0275368 A1	11/2010	Miller et al.				
2011/0303626 A1	12/2011	Roenne				
2012/0266377 A1	10/2012	Eilmus				

* cited by examiner

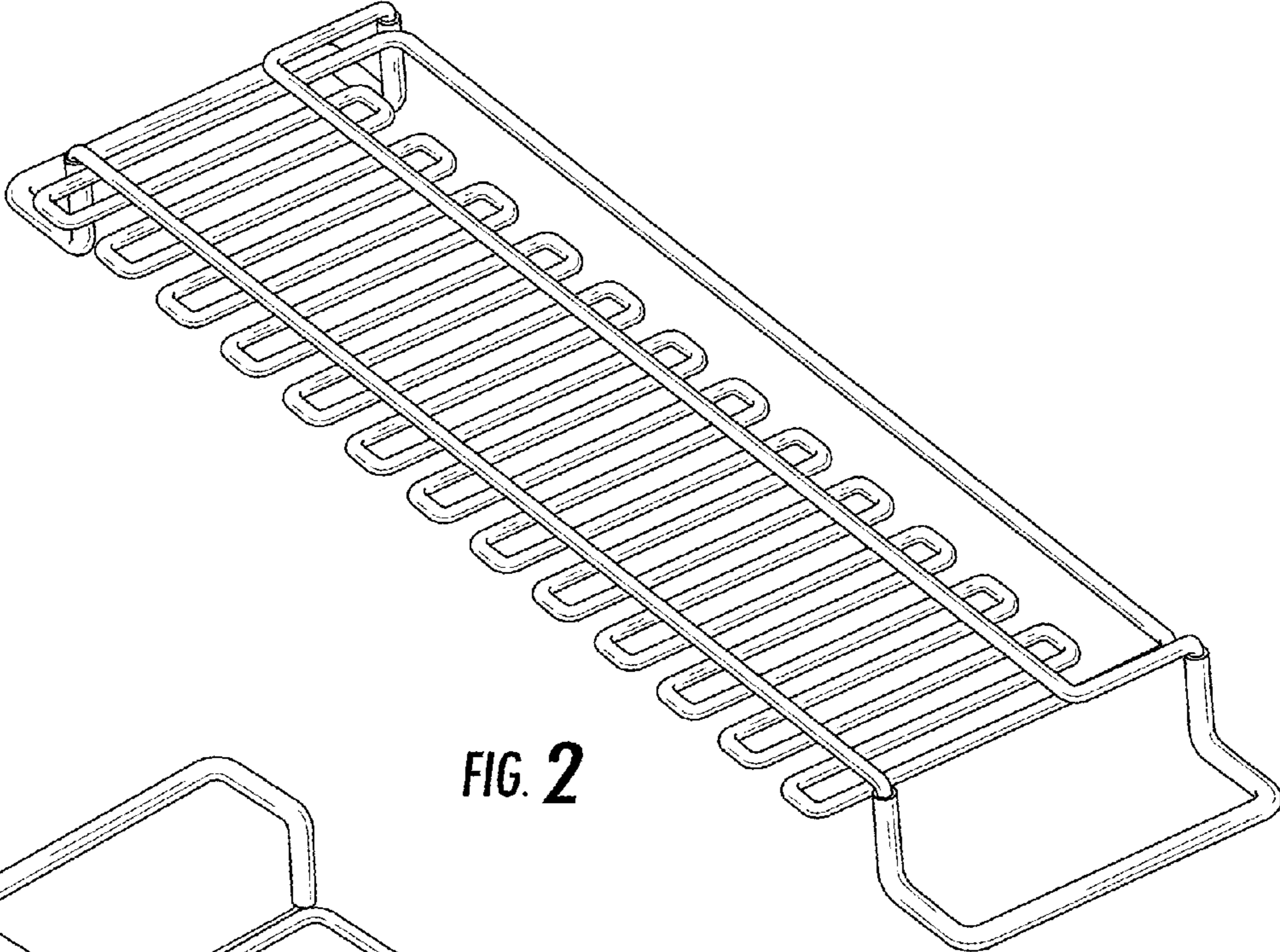


FIG. 2

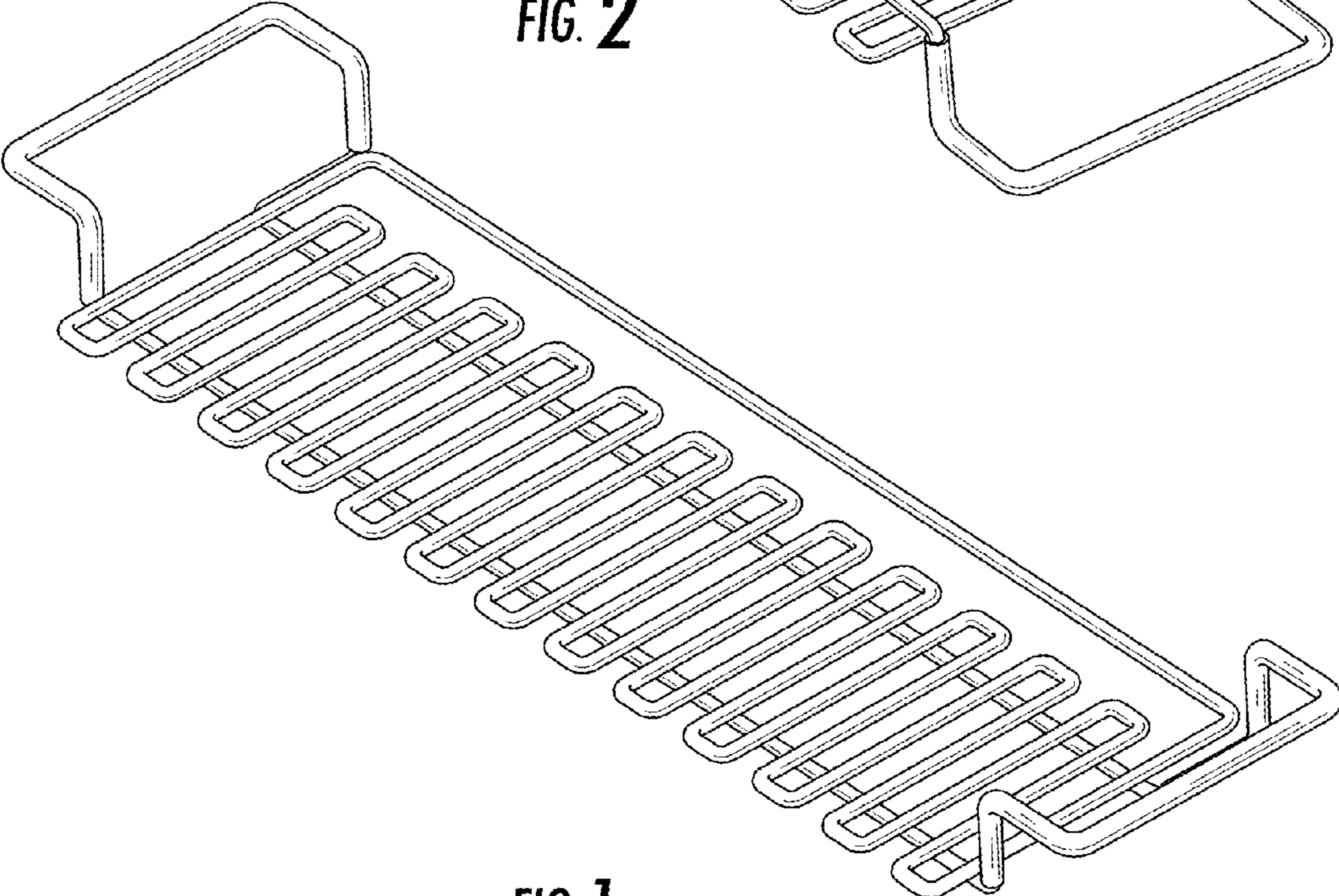


FIG. 1

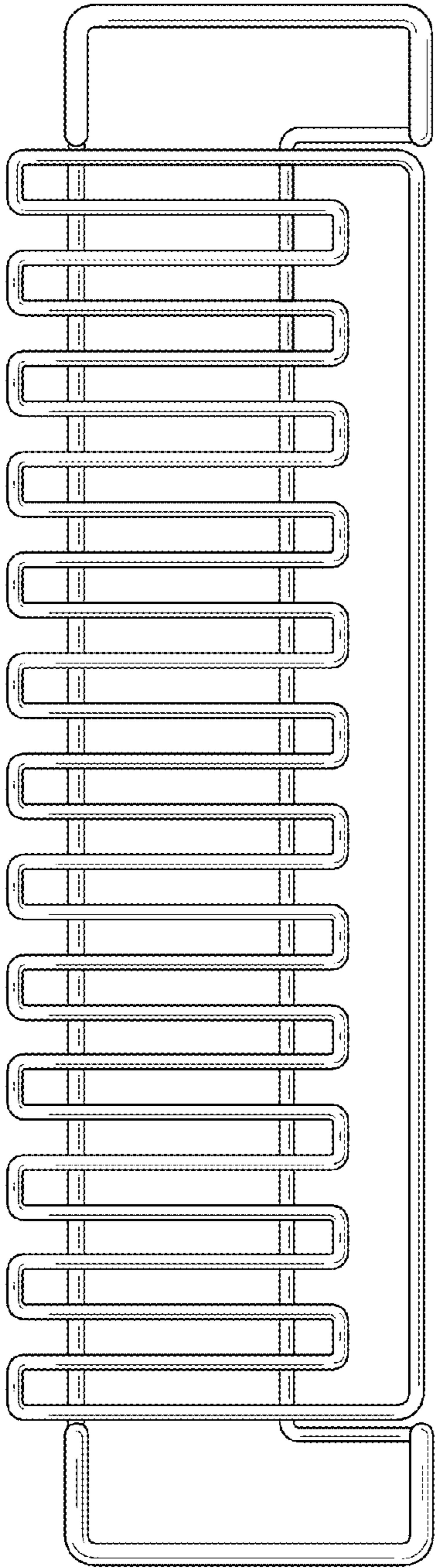


FIG. 3

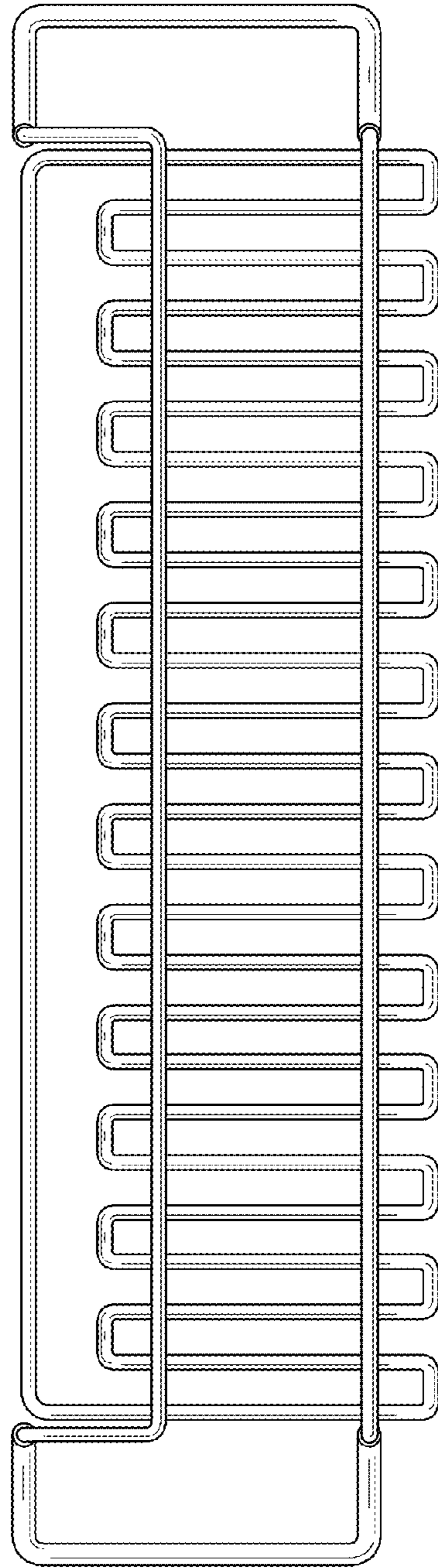


FIG. 4

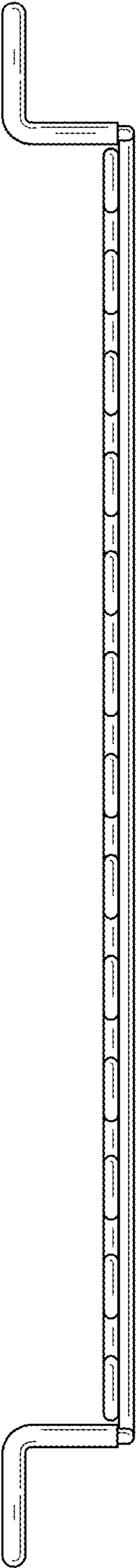


FIG. 5



FIG. 6

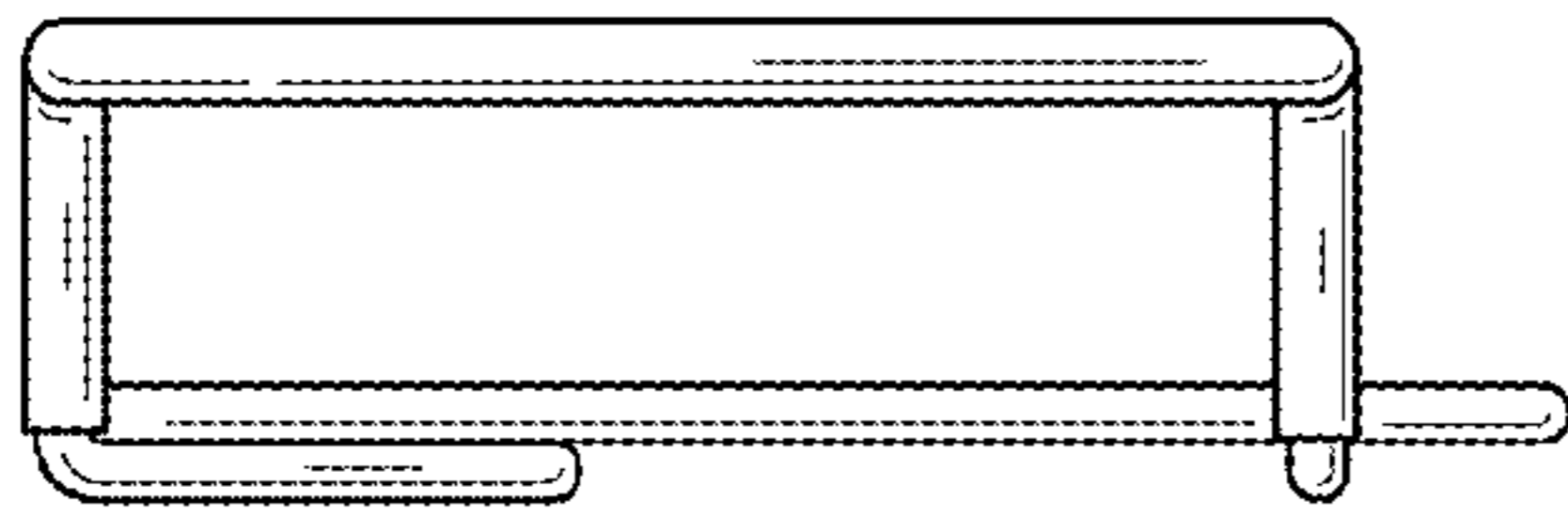


FIG. 7

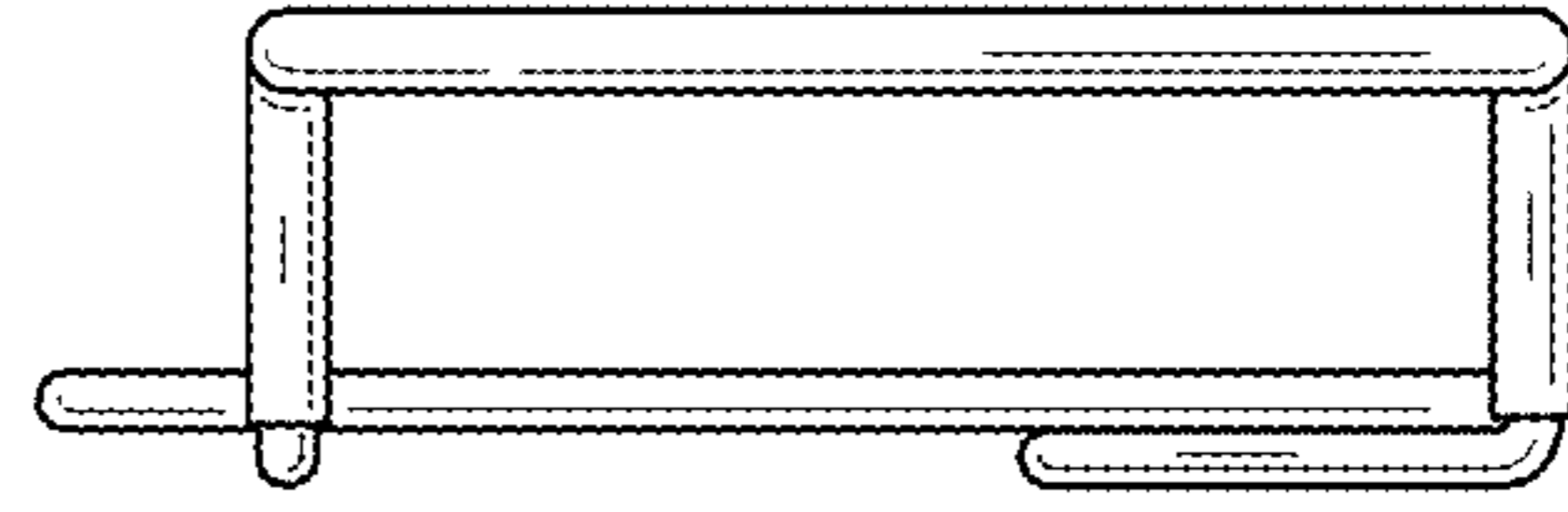


FIG. 8