



US00D760983S

(12) **United States Design Patent**
Eilmus et al.

(10) **Patent No.:** **US D760,983 S**
(45) **Date of Patent:** **** Jul. 5, 2016**

(54) **SINK ACCESSORY**

(71) Applicant: **Kohler Co.**, Kohler, WI (US)

(72) Inventors: **Niels J. Eilmus**, Sheboygan, WI (US);
Jason R. Miller, Sheboygan Falls, WI (US)

(73) Assignee: **KOHLER CO.**, Kohler, WI (US)

(**) Term: **15 Years**

(21) Appl. No.: **29/548,008**

(22) Filed: **Dec. 9, 2015**

Related U.S. Application Data

(62) Division of application No. 29/452,537, filed on Apr. 17, 2013, now Pat. No. Des. 747,056.

(51) **LOC (10) Cl.** **07-05**

(52) **U.S. Cl.**
USPC **D32/55**

(58) **Field of Classification Search**

USPC D32/55, 276, 3, 58; D6/510, 525, 536,
D6/553, 566, 678.4, 537; D30/133;
211/41.5, 41.4, 41.3, 41.8; 361/679.4;
312/311, 333, 334.4; D7/354, 629, 631
CPC A47J 47/20; A47J 2201/00; A47J 47/00;
B65D 35/02; B65D 35/22; B65D 35/56
See application file for complete search history.

(56) **References Cited**

U.S. PATENT DOCUMENTS

477,137 A 6/1892 Mesick
611,561 A 9/1898 Cook
1,580,847 A 4/1926 Moineau

D97,654 S 11/1935 Watral
2,925,919 A 2/1960 Duncan
D194,056 S 11/1962 Chapman
D247,416 S 3/1978 Berman et al.
D268,878 S 5/1983 Taylor
D362,943 S 10/1995 Licari

(Continued)

FOREIGN PATENT DOCUMENTS

DE 102009035657 2/2011
GB 2493937 2/2013

OTHER PUBLICATIONS

Kohler "Fixtures" Product Catalog 2011; pp. 377-383.

Primary Examiner — Austin Murphy

(74) *Attorney, Agent, or Firm* — Foley & Lardner LLP

(57) **CLAIM**

We claim the ornamental design for a sink accessory, as shown and described.

DESCRIPTION

FIG. 1 is a perspective view of another embodiment of the claimed design;

FIG. 2 is a perspective view of the design of FIG. 1;

FIG. 3 is a top plan view of the design of FIG. 1;

FIG. 4 is a bottom plan view of the design of FIG. 1;

FIG. 5 is a front plan view of the design of FIG. 1;

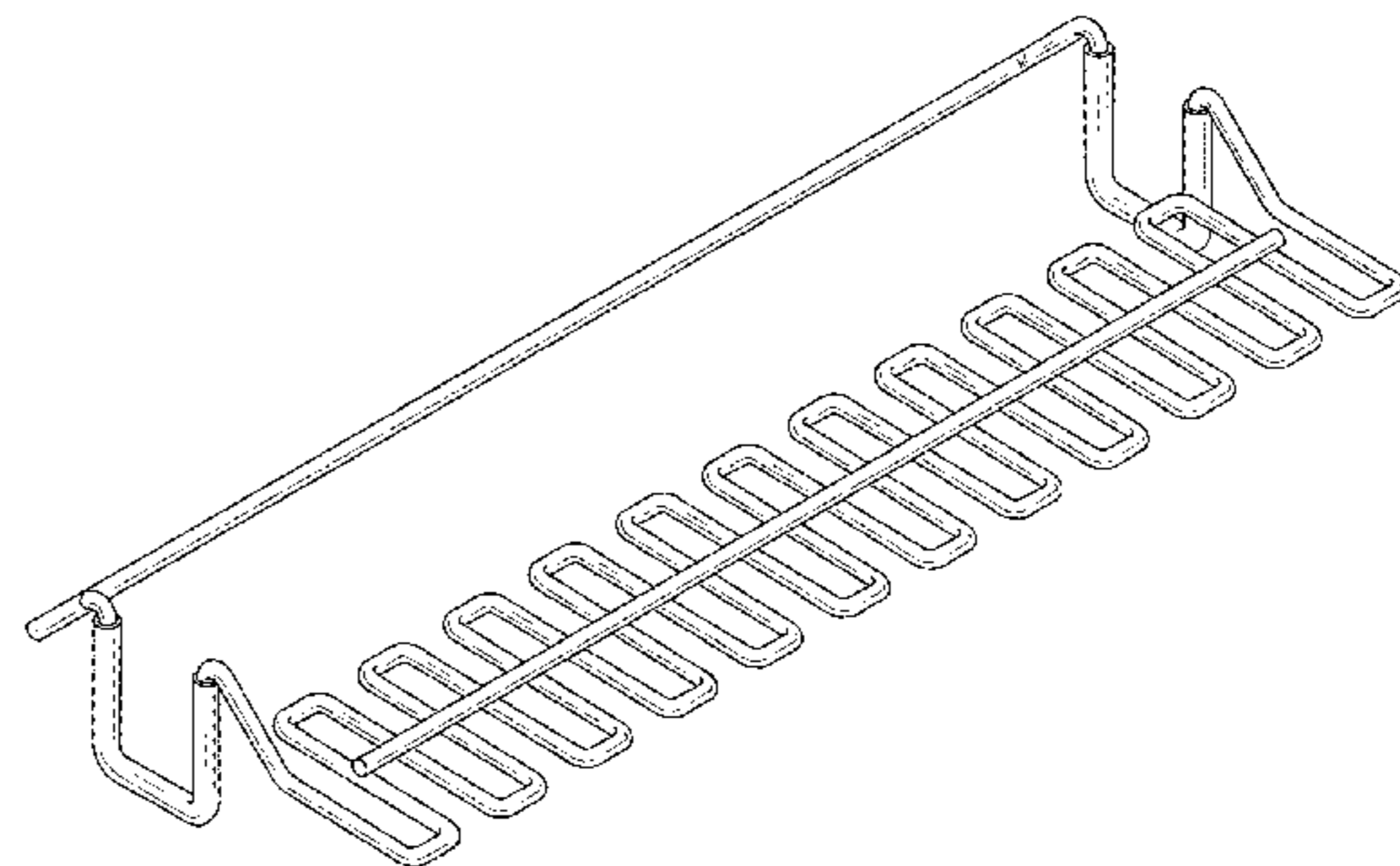
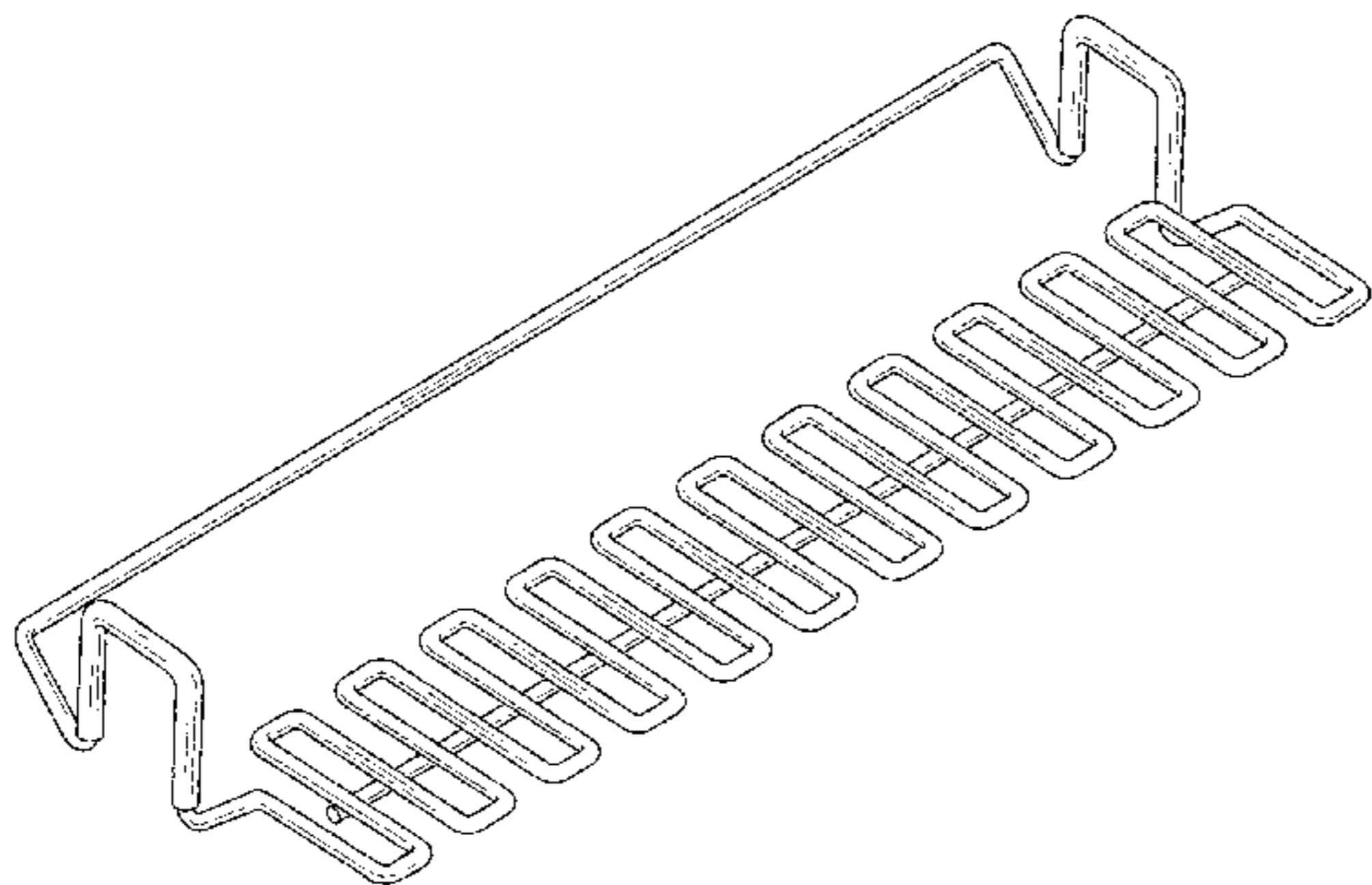
FIG. 6 is a rear plan view of the design of FIG. 1;

FIG. 7 is a right plan view of the design of FIG. 1; and,

FIG. 8 is a left view of the design of FIG. 1.

The ornamental design which is claimed is shown in solid lines in the drawings. The broken lines in the drawings are for illustrative purposes only and form no part of the claimed design.

1 Claim, 4 Drawing Sheets



(56)

References Cited

U.S. PATENT DOCUMENTS

5,547,087 A	8/1996	Licari	D693,081 S	11/2013	Yang et al.
5,865,325 A	2/1999	Comstock	D695,982 S	12/2013	Jonsson
D416,364 S	11/1999	Newhall	D695,983 S	12/2013	Jonsson
D439,716 S	3/2001	Wright	D706,009 S	5/2014	Cooper
6,341,704 B1	1/2002	Michel, Jr.	8,801,926 B2	8/2014	Housley
D473,359 S	4/2003	Joseph	D724,387 S *	3/2015	Tsai D7/600.1
D518,615 S	4/2006	Yang et al.	9,022,329 B2	5/2015	Gallup
D518,936 S	4/2006	Yang et al.	D736,547 S *	8/2015	Morales D6/678.4
D520,699 S	5/2006	Yang et al.	D741,563 S *	10/2015	Ouyang D32/58
7,228,975 B2 *	6/2007	Yang A47L 19/04 211/41.4	9,163,780 B2 *	10/2015	McDonald F16M 13/02
D554,318 S	10/2007	Yang et al.	D742,669 S *	11/2015	Chang D6/705.6
D583,119 S	12/2008	Sofy et al.	D747,056 S *	1/2016	Eilmus D32/55
D592,016 S *	5/2009	Goodman D7/624.1	D747,057 S *	1/2016	Eilmus D32/55
D595,914 S	7/2009	Housley	D747,058 S *	1/2016	Eilmus D32/55
D608,112 S	1/2010	Eilmus	2006/0289372 A1 *	12/2006	Yang A47L 19/02 211/41.3
D630,396 S	1/2011	Yang et al.	2008/0083678 A1 *	4/2008	Graute A47L 15/505 211/41.8
D667,655 S *	9/2012	Goodman D6/683	2010/0275368 A1	11/2010	Miller et al.
D687,610 S	8/2013	Jonsson et al.	2011/0303626 A1	12/2011	Roenne
			2012/0266377 A1	10/2012	Eilmus

* cited by examiner

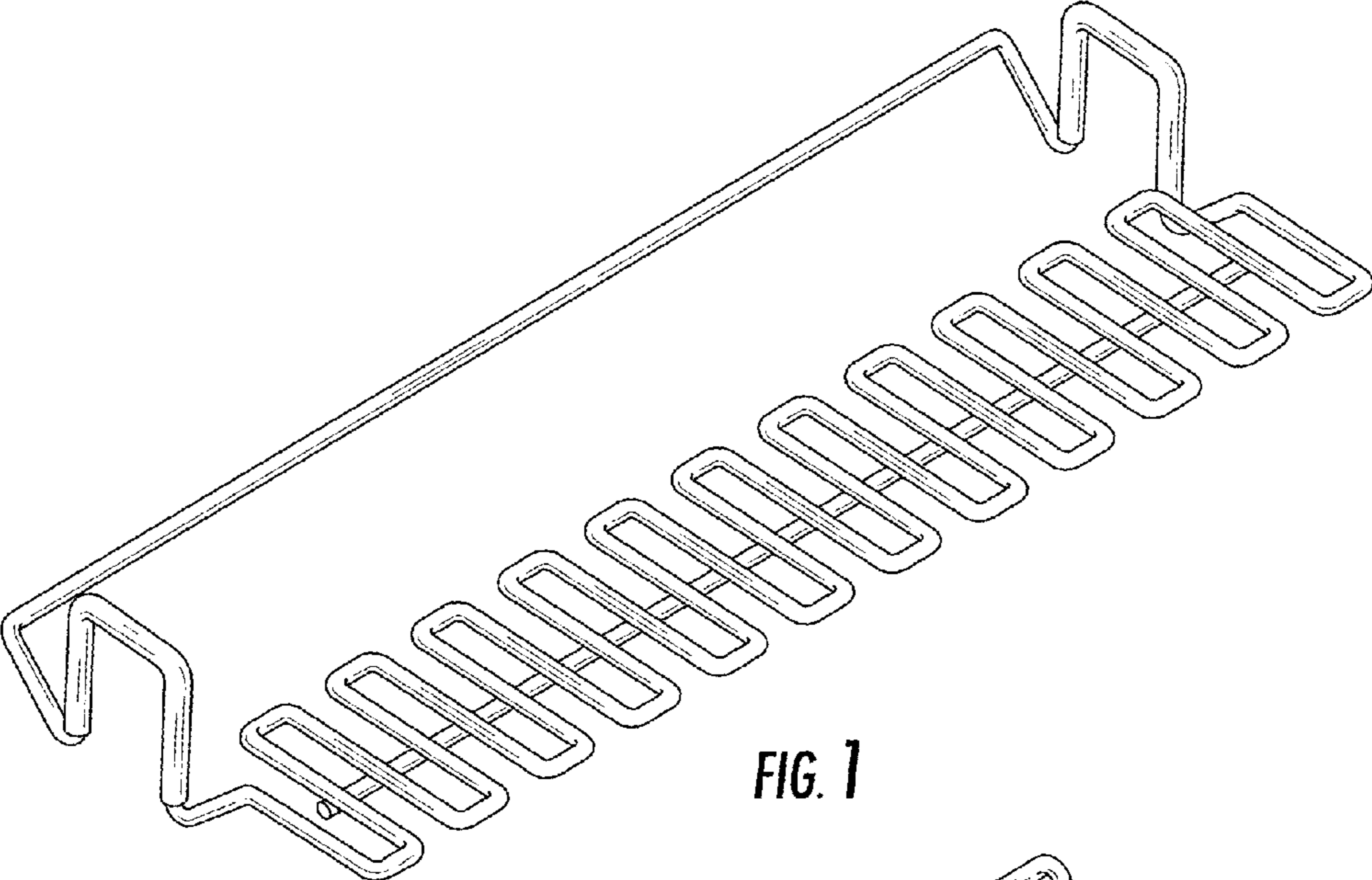


FIG. 1

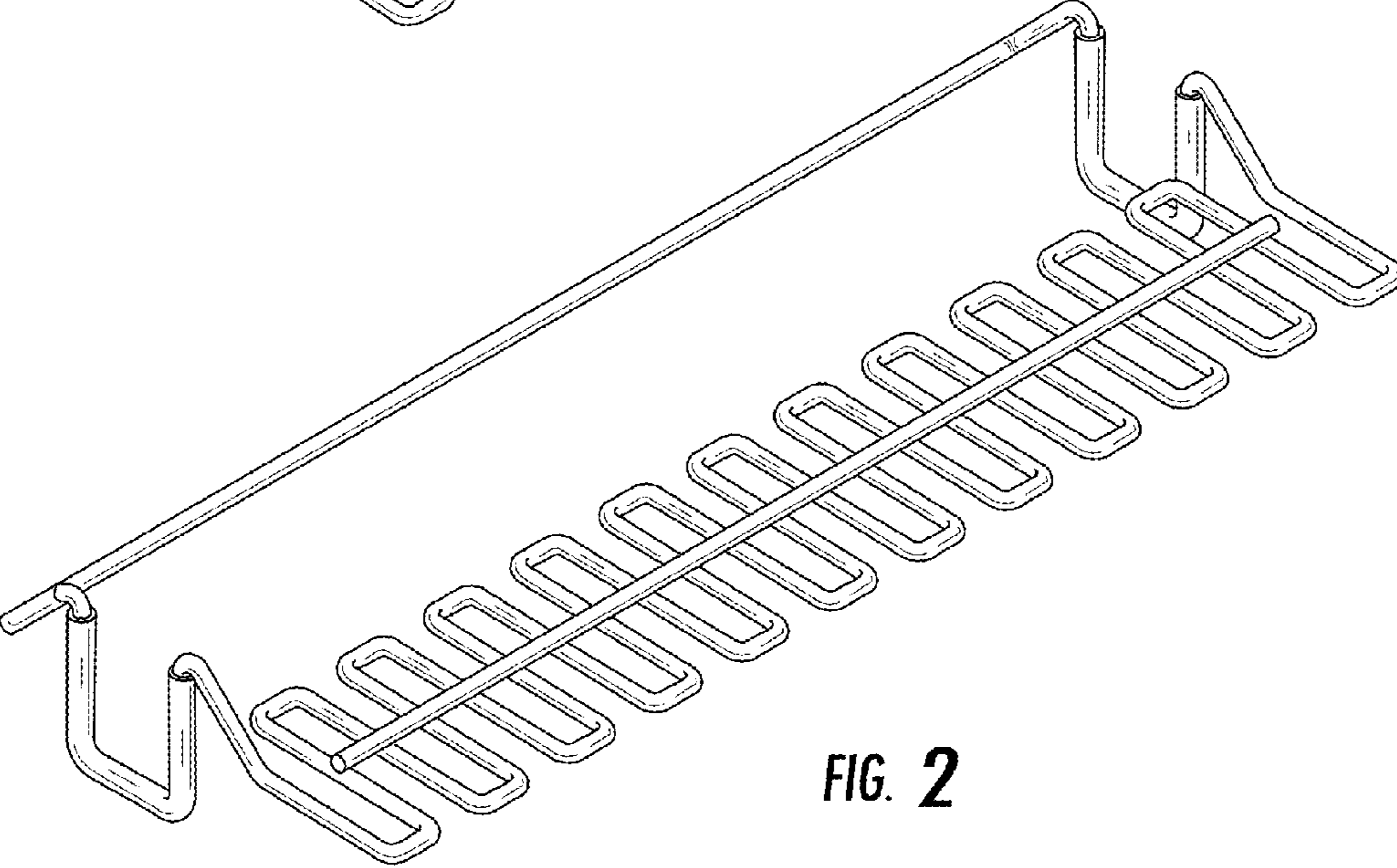


FIG. 2

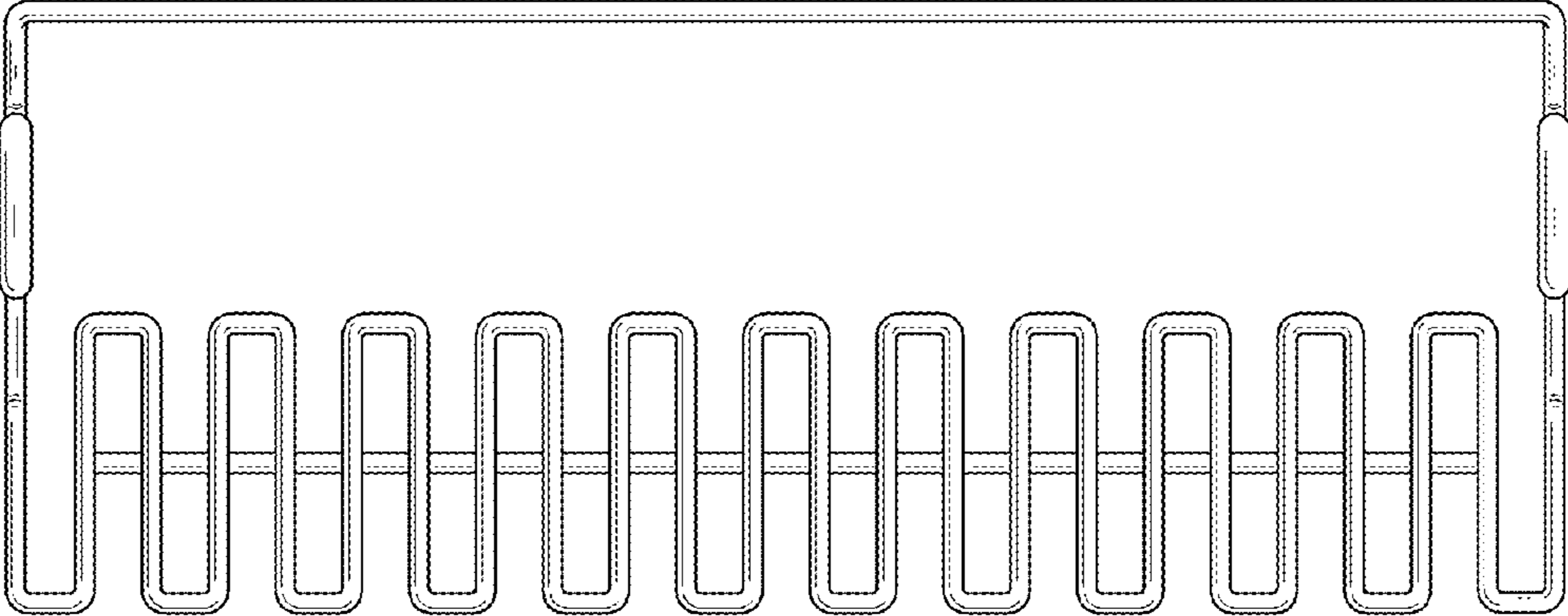


FIG. 3

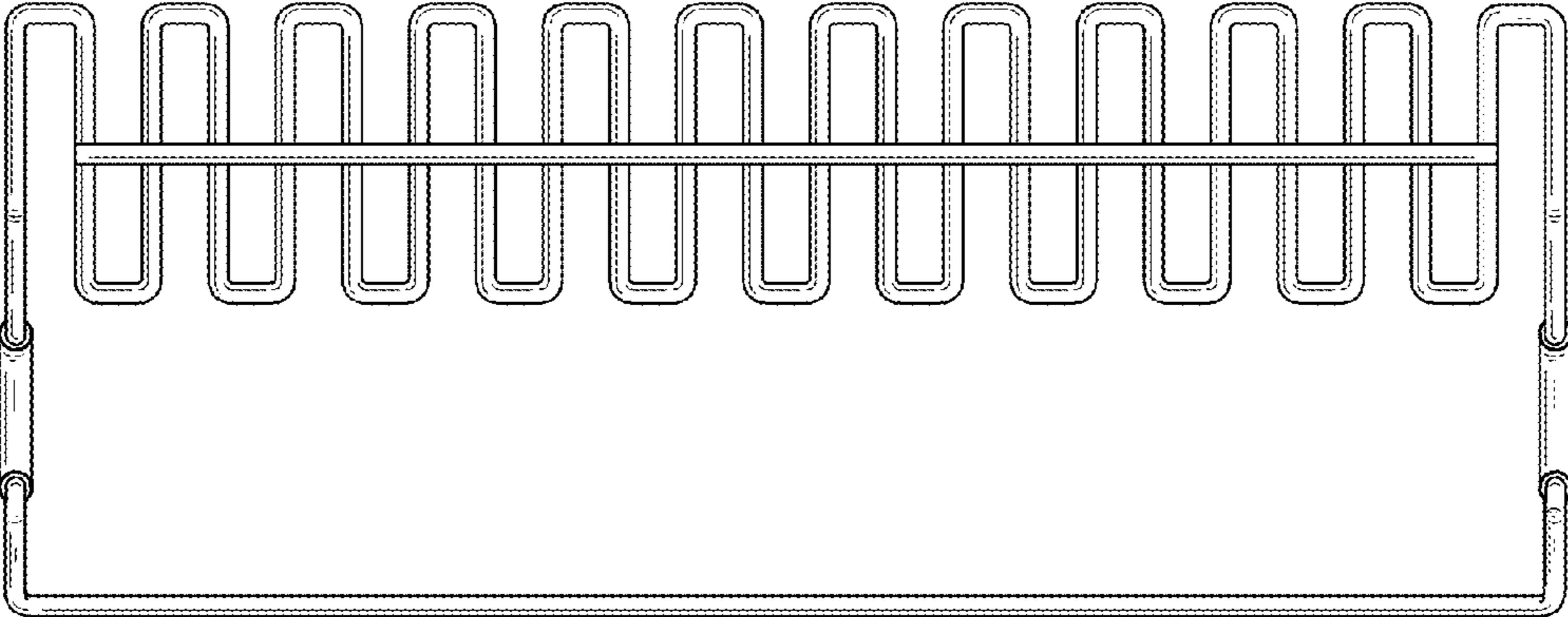


FIG. 4

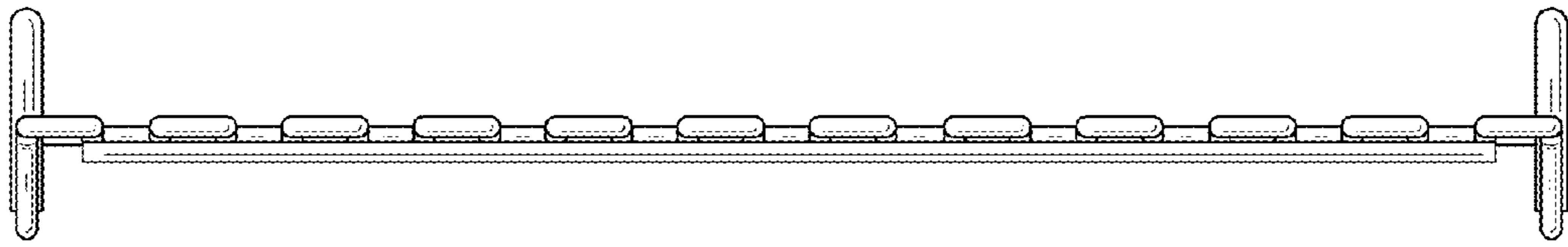


FIG. 5

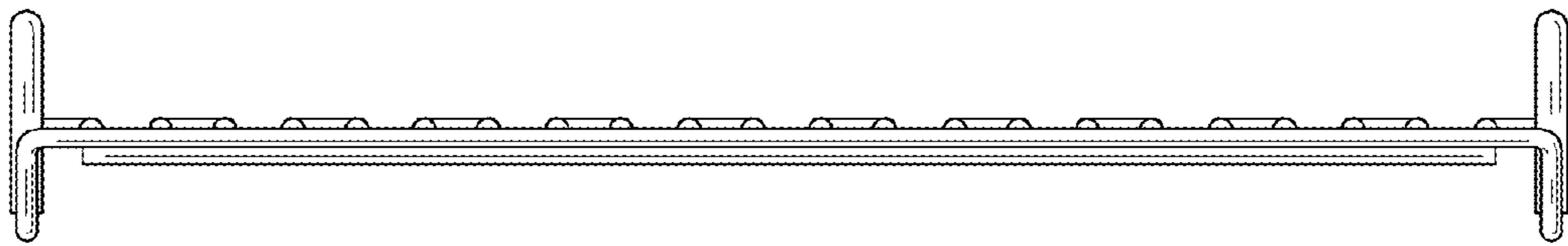


FIG. 6

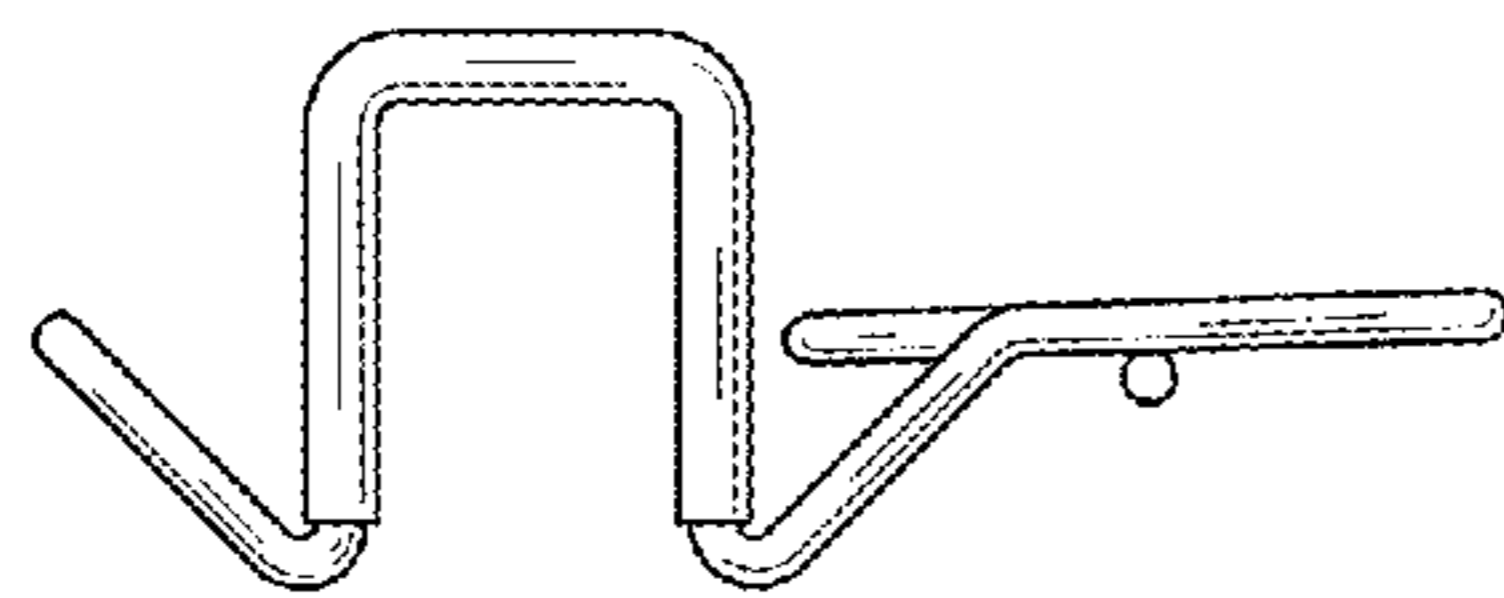


FIG. 7

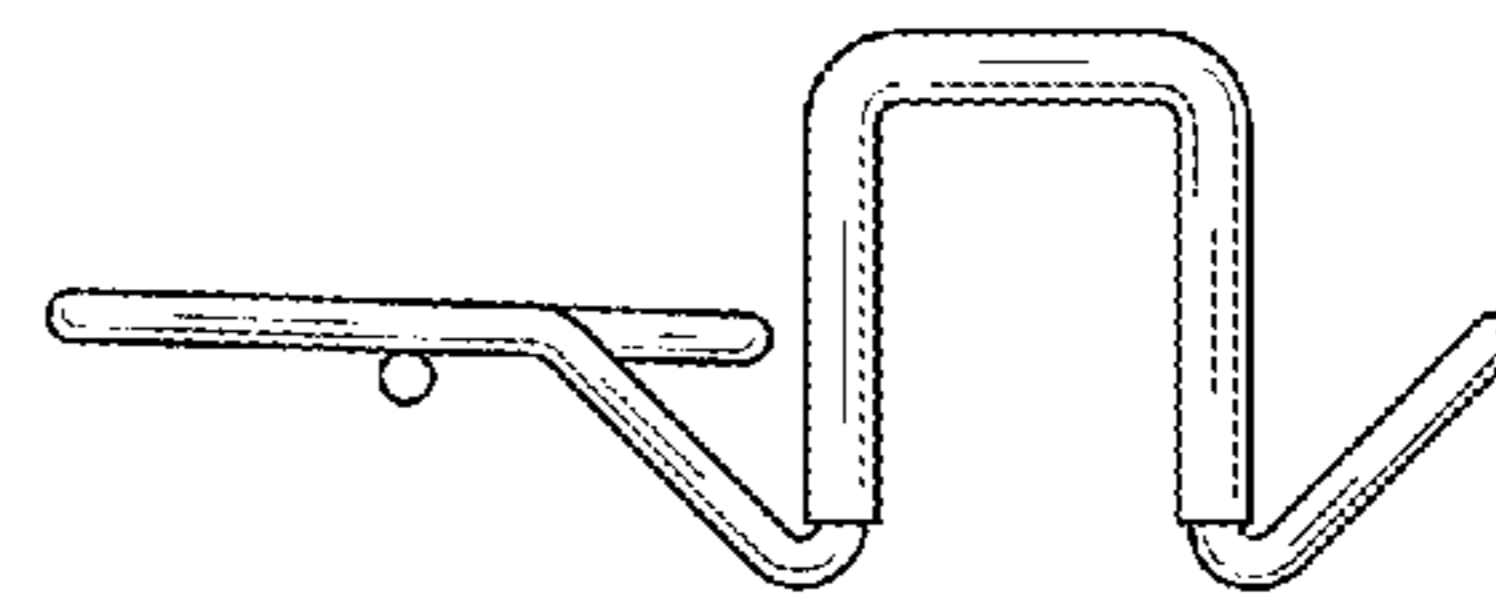


FIG. 8