

US00D760982S

(12) **United States Design Patent**
Baldwin et al.

(10) **Patent No.:** **US D760,982 S**
(45) **Date of Patent:** **** Jul. 5, 2016**

(54) **BUCKET**
(71) Applicant: **3M INNOVATIVE PROPERTIES COMPANY**, St. Paul, MN (US)
(72) Inventors: **Mark W. Baldwin**, Woodbury, MN (US); **Lloyd S. Vasilakes**, Stillwater, MN (US)
(73) Assignee: **3M INNOVATIVE PROPERTIES COMPANY**, St. Paul, MN (US)

3,383,732 A * 5/1968 James A47L 13/58
15/260
3,747,154 A * 7/1973 O'Neil A47L 13/59
15/264
5,472,111 A * 12/1995 Renfrew B44D 3/126
15/257.05
6,560,815 B1 * 5/2003 Brennan B25G 3/38
15/260
7,958,592 B2 6/2011 Nobile
8,108,963 B2 * 2/2012 Griot G01F 19/00
15/264
8,281,952 B2 * 10/2012 Robellard B44D 3/126
220/501

(**) Term: **14 Years**

* cited by examiner

(21) Appl. No.: **29/504,202**

Primary Examiner — Robin V Webster

(22) Filed: **Oct. 2, 2014**

(74) *Attorney, Agent, or Firm* — Irina Hass

(51) **LOC (10) Cl.** **07-07**

(57) **CLAIM**

The ornamental design for a bucket, as shown and described.

(52) **U.S. Cl.**

DESCRIPTION

USPC **D32/53**

(58) **Field of Classification Search**

USPC D32/53, 53.1, 54; 220/694–698, 735, 220/736, 904; 15/260–264, 119.1, 120.1

CPC B44D 3/128; B44D 3/12; B44D 3/126; A47L 13/58; B65D 35/22; B65D 25/14

See application file for complete search history.

FIG. 1 is a perspective view showing the new design for a bucket;
FIG. 2 is a front view thereof;
FIG. 3 is a rear view thereof;
FIG. 4 is a top view thereof;
FIG. 5 is a bottom view thereof; and,
FIG. 6 is a right side view thereof, the left side view being a mirror image thereof.

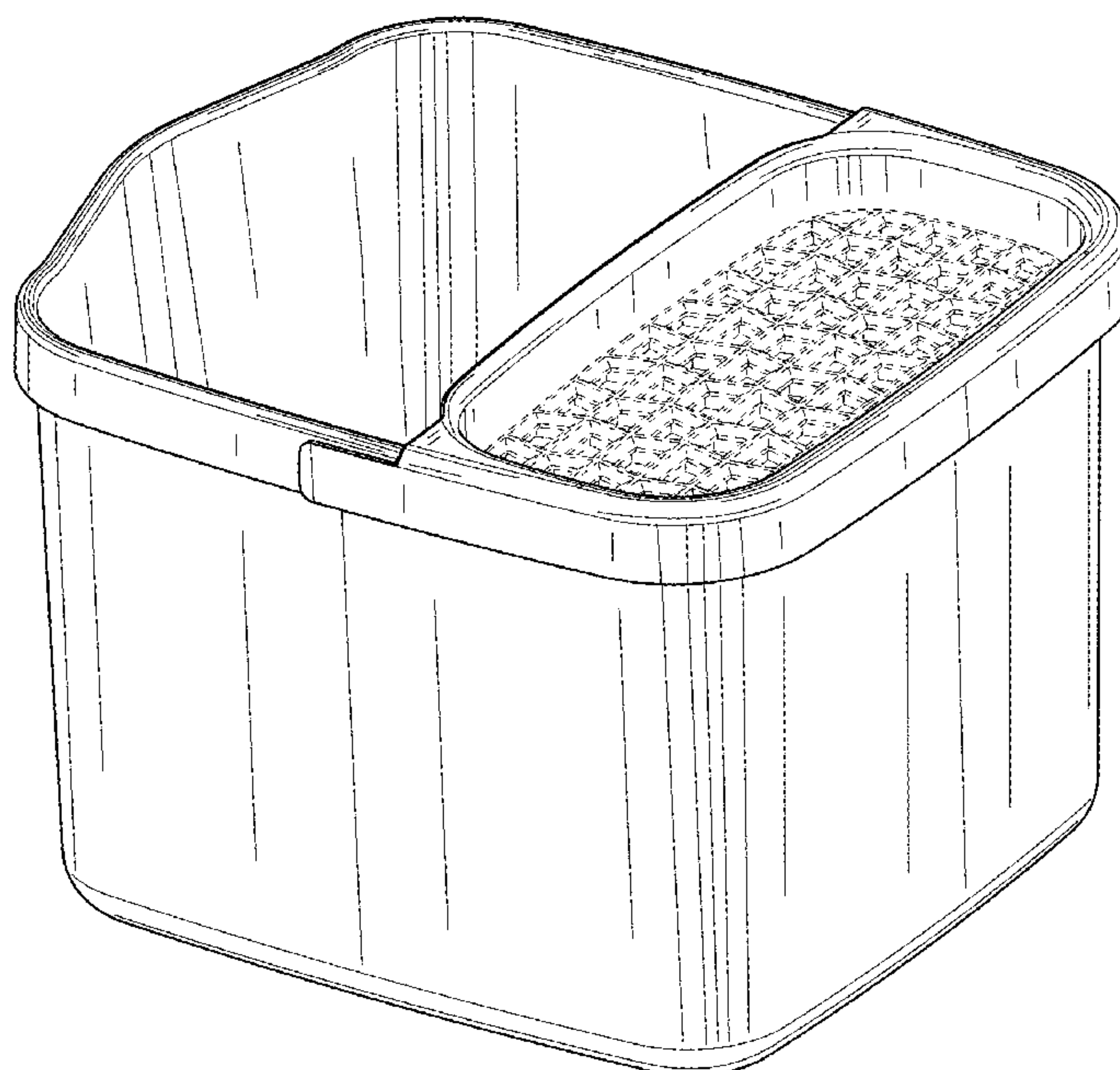
The portions of the bucket in FIGS. 1, 4, and 5 shown in broken lines are included to show features that form no part of the claimed design.

(56) **References Cited**

U.S. PATENT DOCUMENTS

2,664,584 A * 1/1954 Twerdahl A47L 13/58
15/260
3,044,096 A * 7/1962 Englehart A47L 13/56
15/257.06

1 Claim, 6 Drawing Sheets



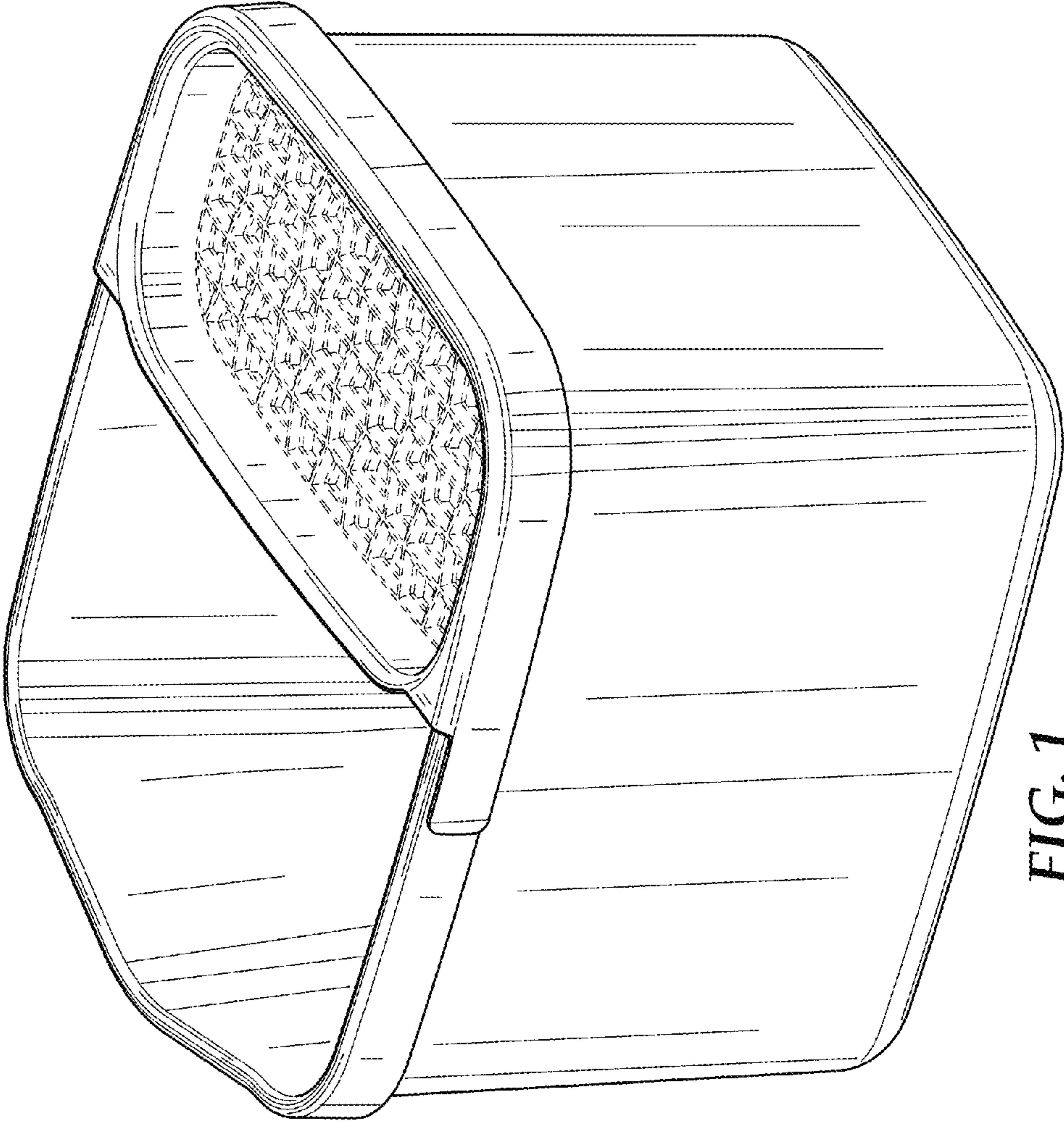


FIG. 1

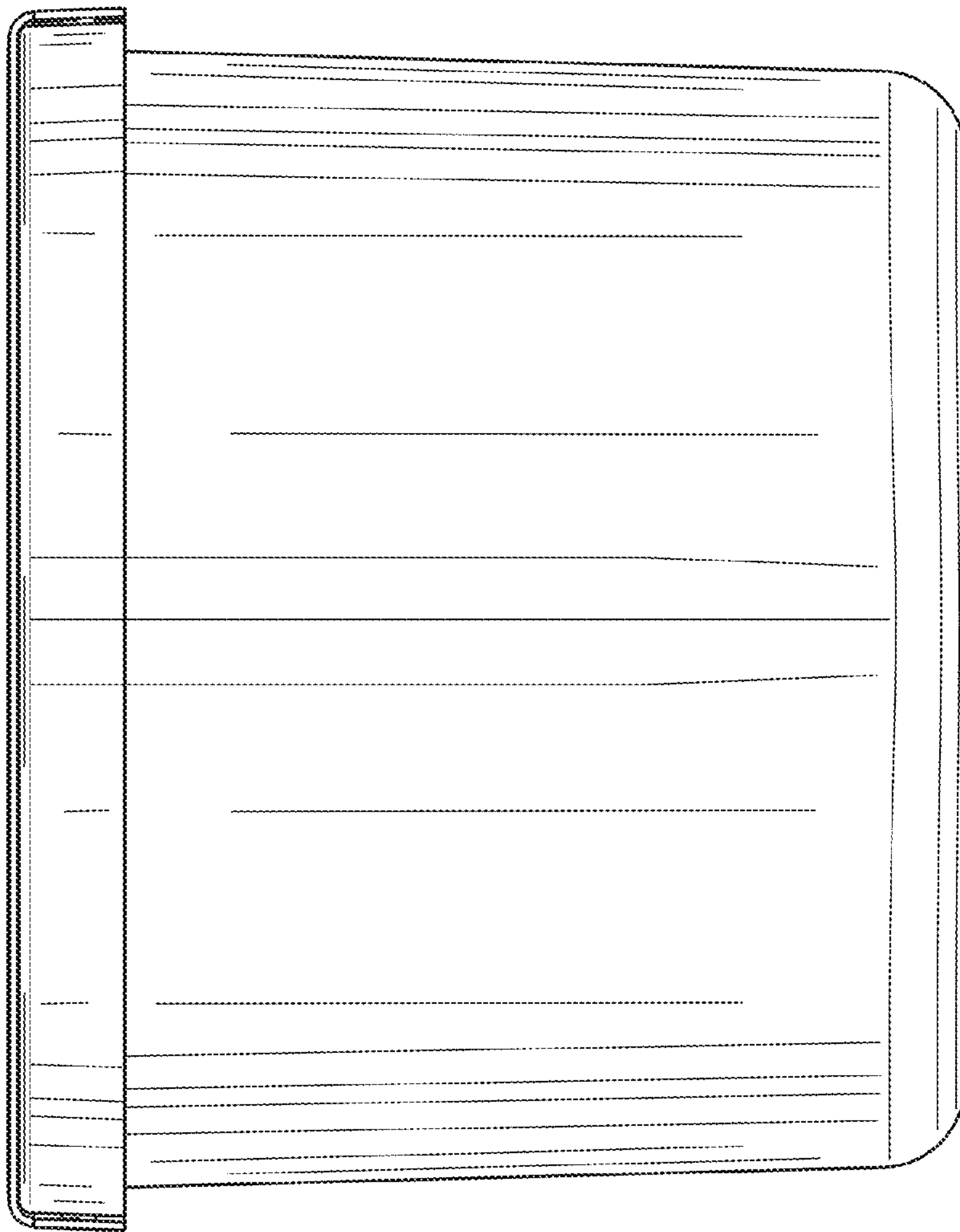


FIG. 2

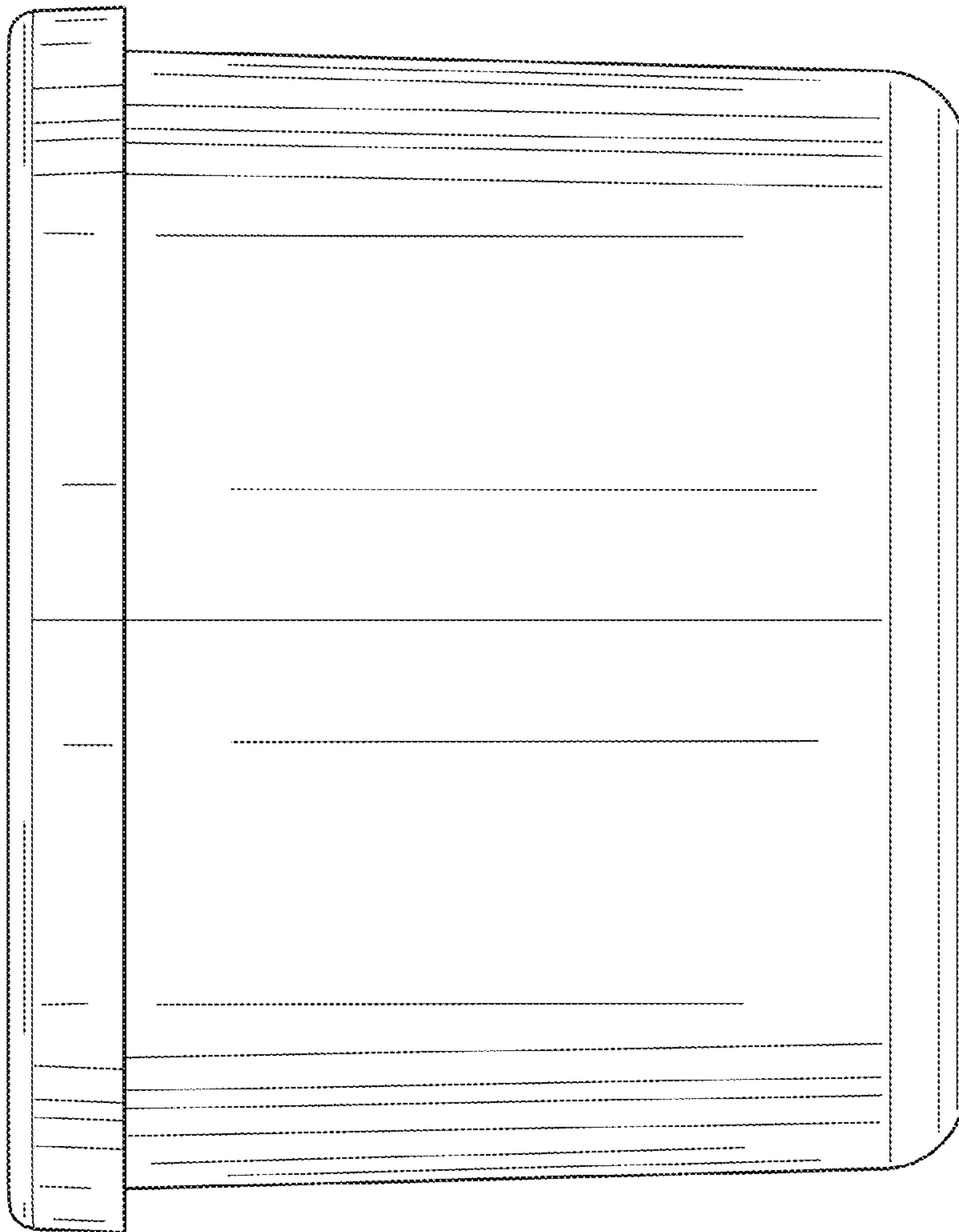


FIG. 3

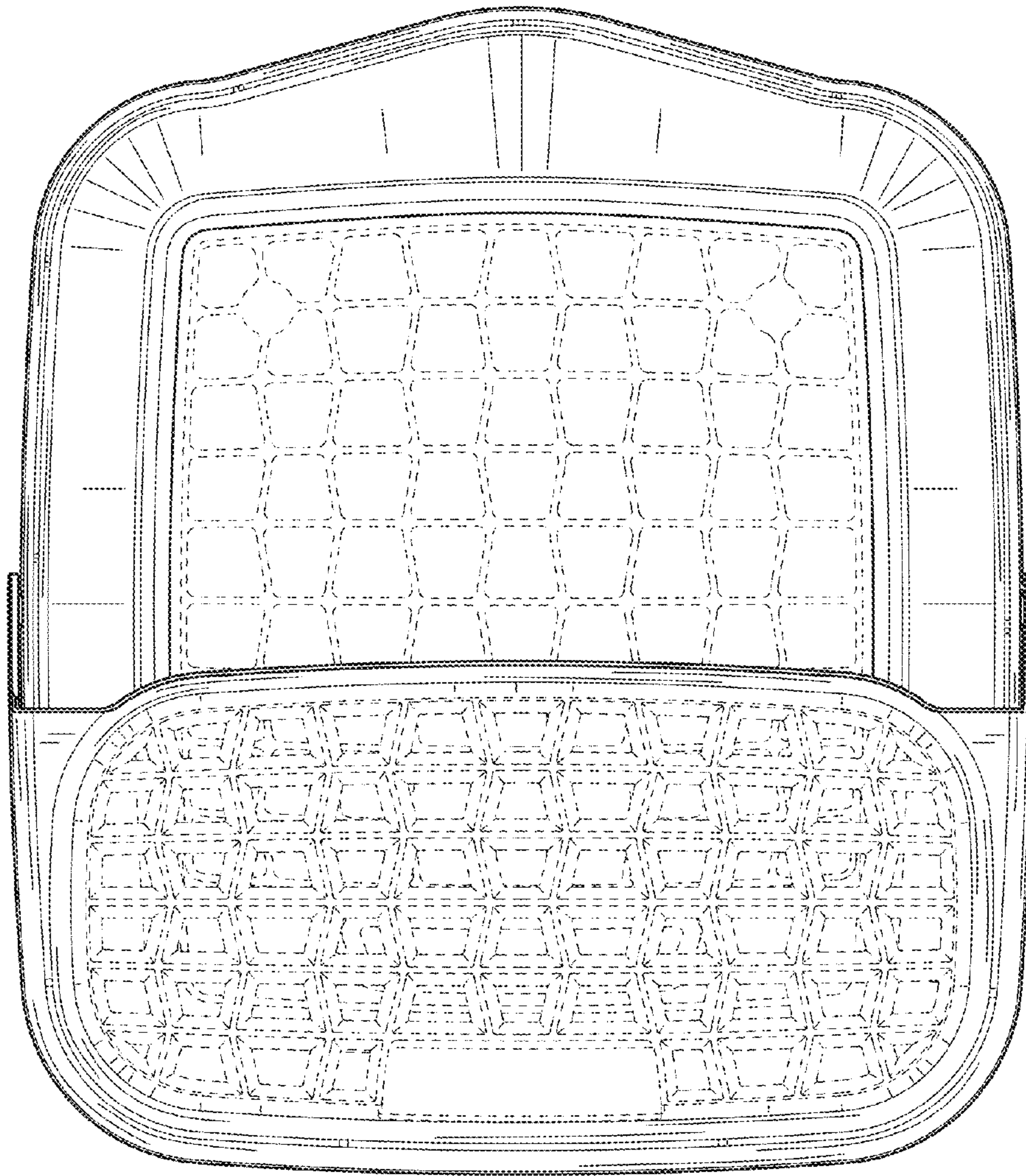


FIG. 4

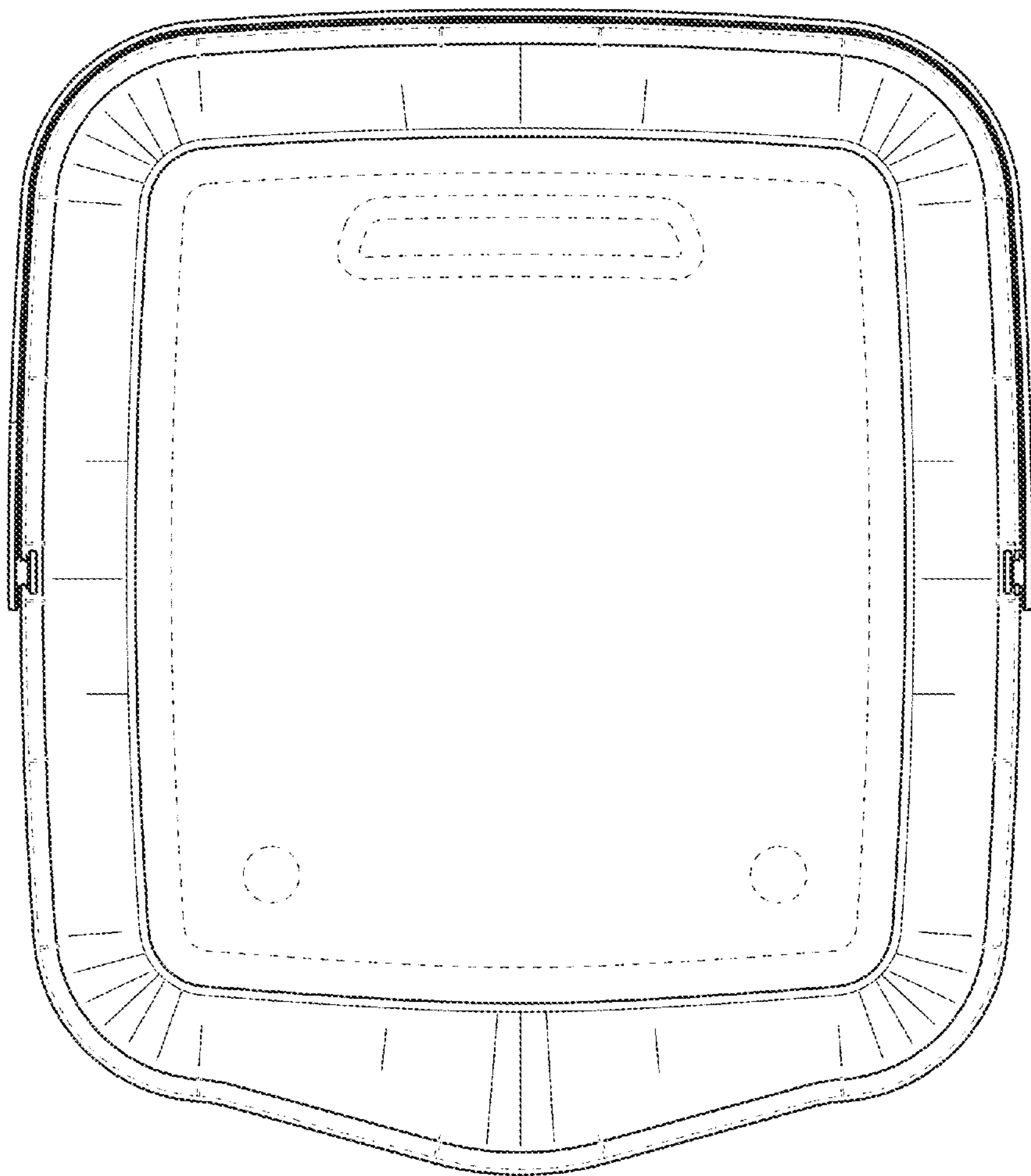


FIG. 5

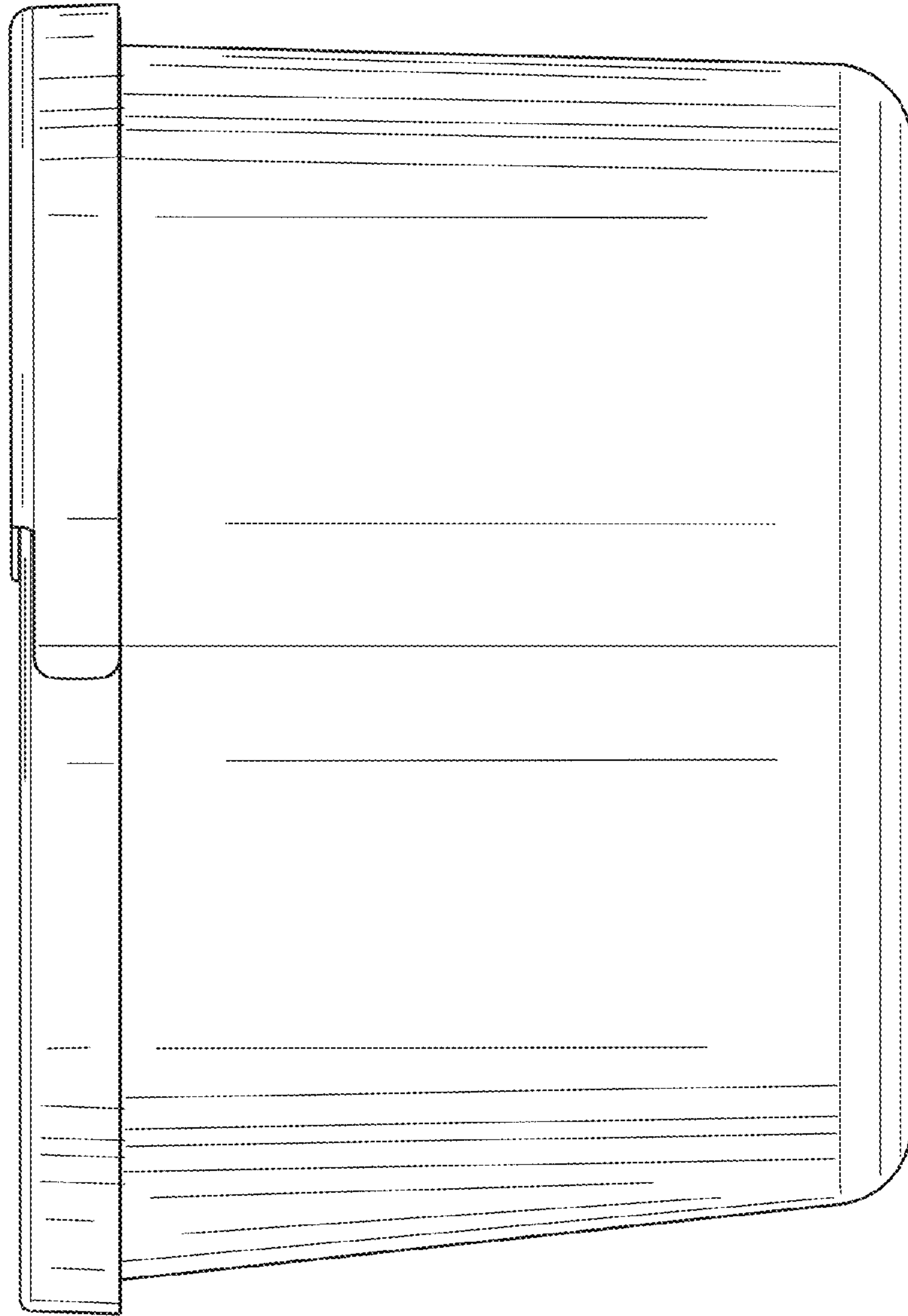


FIG. 6