

US00D760980S

(12) **United States Design Patent**
Tsai

(10) **Patent No.:** **US D760,980 S**
(45) **Date of Patent:** **** Jul. 5, 2016**

- (54) **LAUNDRY SORTER WITH HANGER**
- (71) Applicant: **PRETTY STAR STORE LLC**,
Rowland Heights, CA (US)
- (72) Inventor: **Tsung-Yu Tsai**, Changhua (TW)
- (73) Assignee: **PRETTY STAR STORE LLC**,
Rowland Heights, CA (US)
- (**) Term: **15 Years**
- (21) Appl. No.: **29/528,389**
- (22) Filed: **May 28, 2015**
- (51) **LOC (10) Cl.** **07-07**
- (52) **U.S. Cl.**
USPC **D32/37**
- (58) **Field of Classification Search**
USPC D32/35, 37, 53; D3/201, 304, 305, 306,
D3/307, 308, 309, 312, 314; D9/420, 423,
D9/501, 721, 742; D34/5, 6, 11
CPC . D06F 95/004; D06F 95/002; B65B 67/1244;
B65B 67/1205; A47B 61/00; B62B 3/106;
B62B 3/02; A47G 25/0685
See application file for complete search history.

- D404,861 S * 1/1999 Balensiefer, II D32/37
- 5,967,342 A * 10/1999 Steffine D06F 95/002
211/85.15
- D462,149 S * 8/2002 Hall D32/37
- 6,691,879 B1 * 2/2004 Alvarez B62B 3/02
211/175
- D491,327 S * 6/2004 Gambino D32/37
- D520,696 S * 5/2006 Waldman D32/37
- D545,515 S * 6/2007 Clucas D32/37
- 8,910,813 B1 * 12/2014 Barre D06F 95/002
220/23.83
- D732,779 S * 6/2015 Bittle D32/37
- 2006/0157358 A1 * 7/2006 Heidel D06F 95/002
206/278
- 2006/0255213 A1 * 11/2006 Lawson D06F 95/004
248/95
- 2012/0241398 A1 * 9/2012 Lam A47G 25/0685
211/85.3
- 2014/0217247 A1 * 8/2014 Kemmer B65B 67/1205
248/98

* cited by examiner

Primary Examiner — T. Chase Nelson
Assistant Examiner — Michelle E Wilson
(74) *Attorney, Agent, or Firm* — Muncy, Geissler, Olds & Lowe, P.C.

(57) **CLAIM**
The ornamental design for a laundry sorter with hanger, as shown and described.

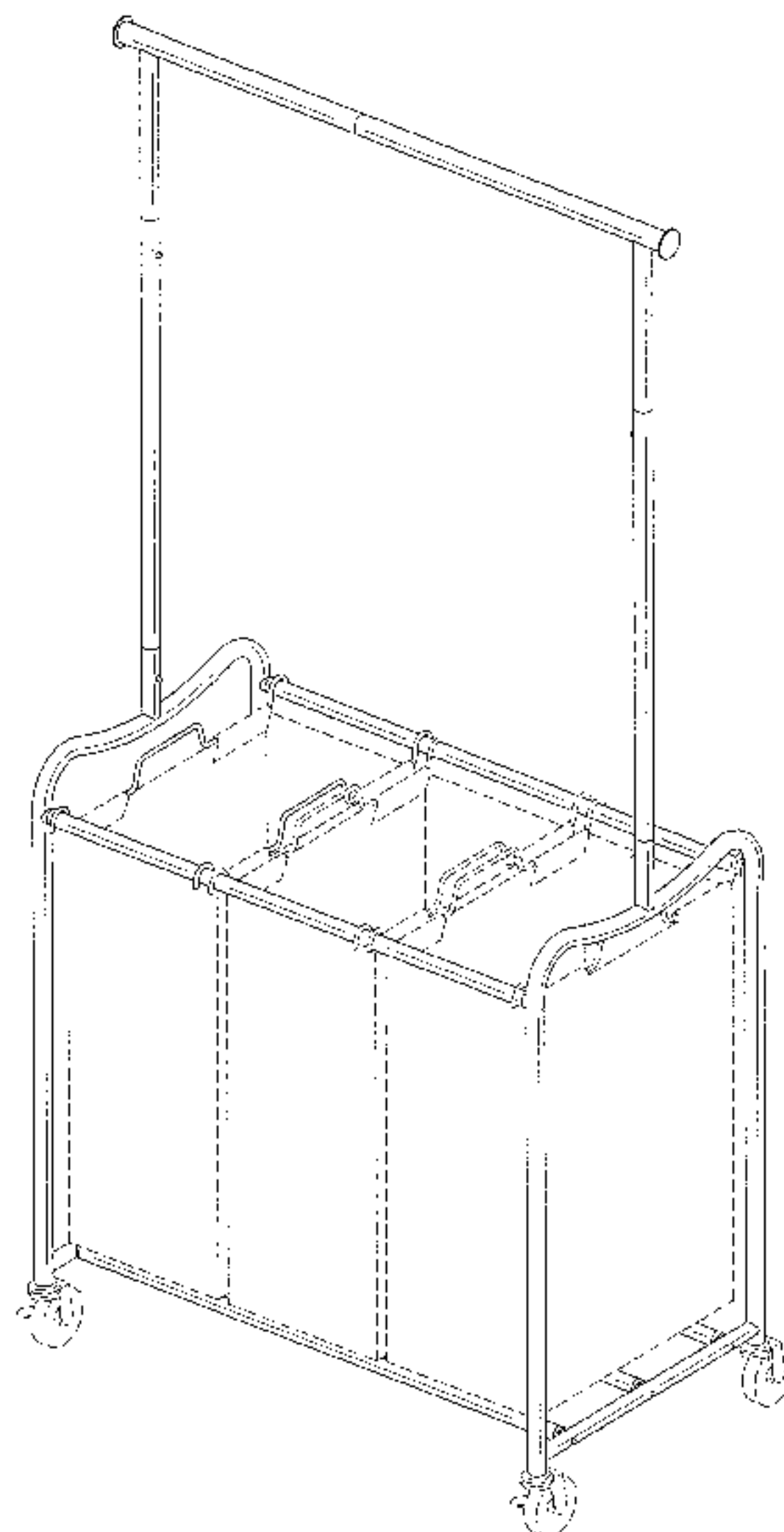
(56) **References Cited**
U.S. PATENT DOCUMENTS

- 2,625,973 A * 1/1953 Weldon D06F 95/004
206/459.5
- 3,388,882 A * 6/1968 Burroughs B65B 67/1244
248/101
- D279,038 S * 5/1985 Thompson, Jr. D32/37
- 4,585,283 A * 4/1986 Redmon A47B 61/00
220/495.07
- 4,588,154 A * 5/1986 Basore B65B 67/1244
211/206
- 5,154,359 A * 10/1992 Junta B62B 3/106
211/12
- D336,696 S * 6/1993 Bateman D32/37

DESCRIPTION

FIG. 1 is a perspective view of the present design; FIG. 2 is a front view of the present design; FIG. 3 is a rear view of the present design; FIG. 4 is a left side view of the present design; FIG. 5 is a right side view of the present design; FIG. 6 is a top view of the present design; and, FIG. 7 is a bottom view of the present design. The broken lines showing structural features are for illustrative purposes only and form no part of the claimed design.

1 Claim, 6 Drawing Sheets



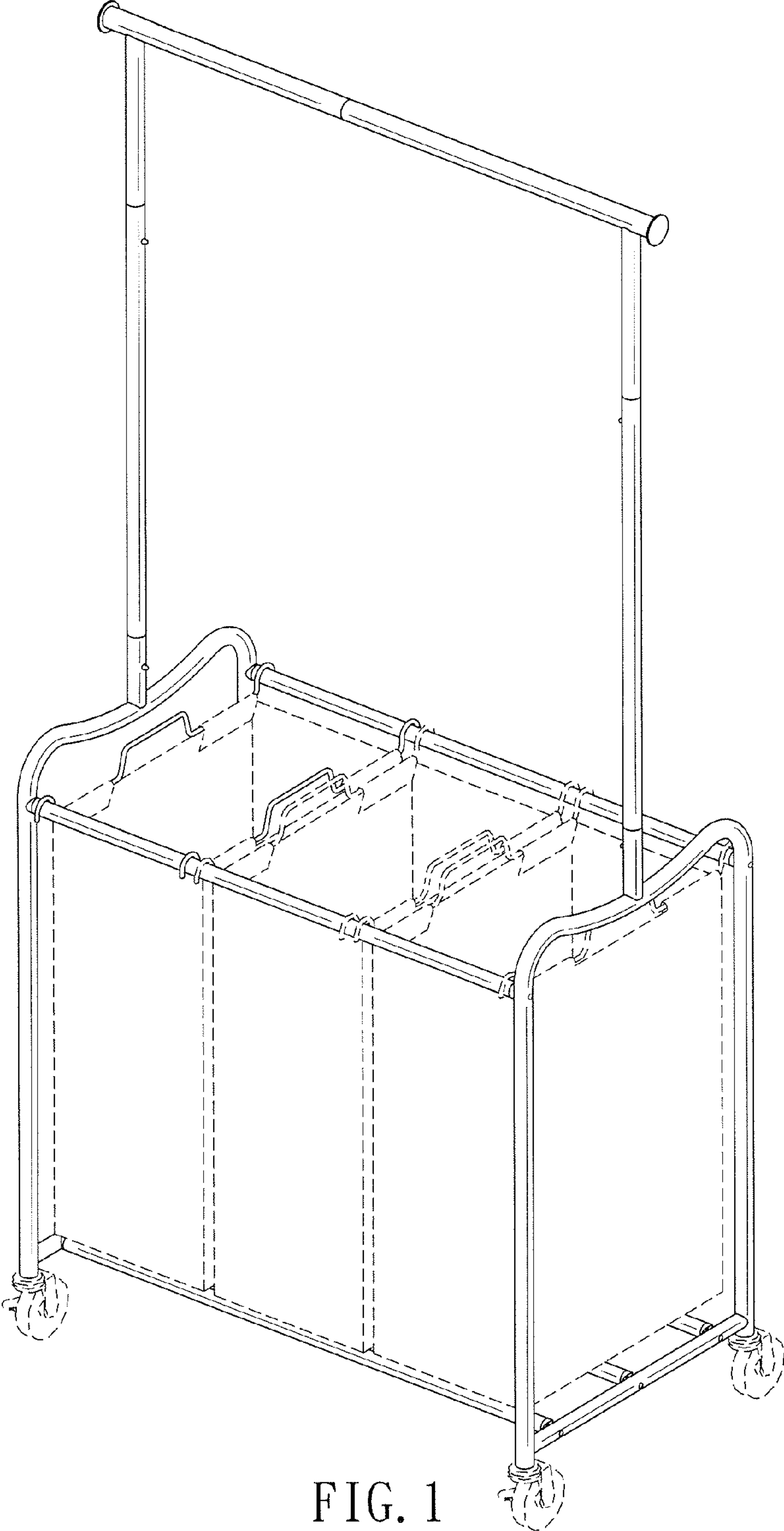


FIG. 1

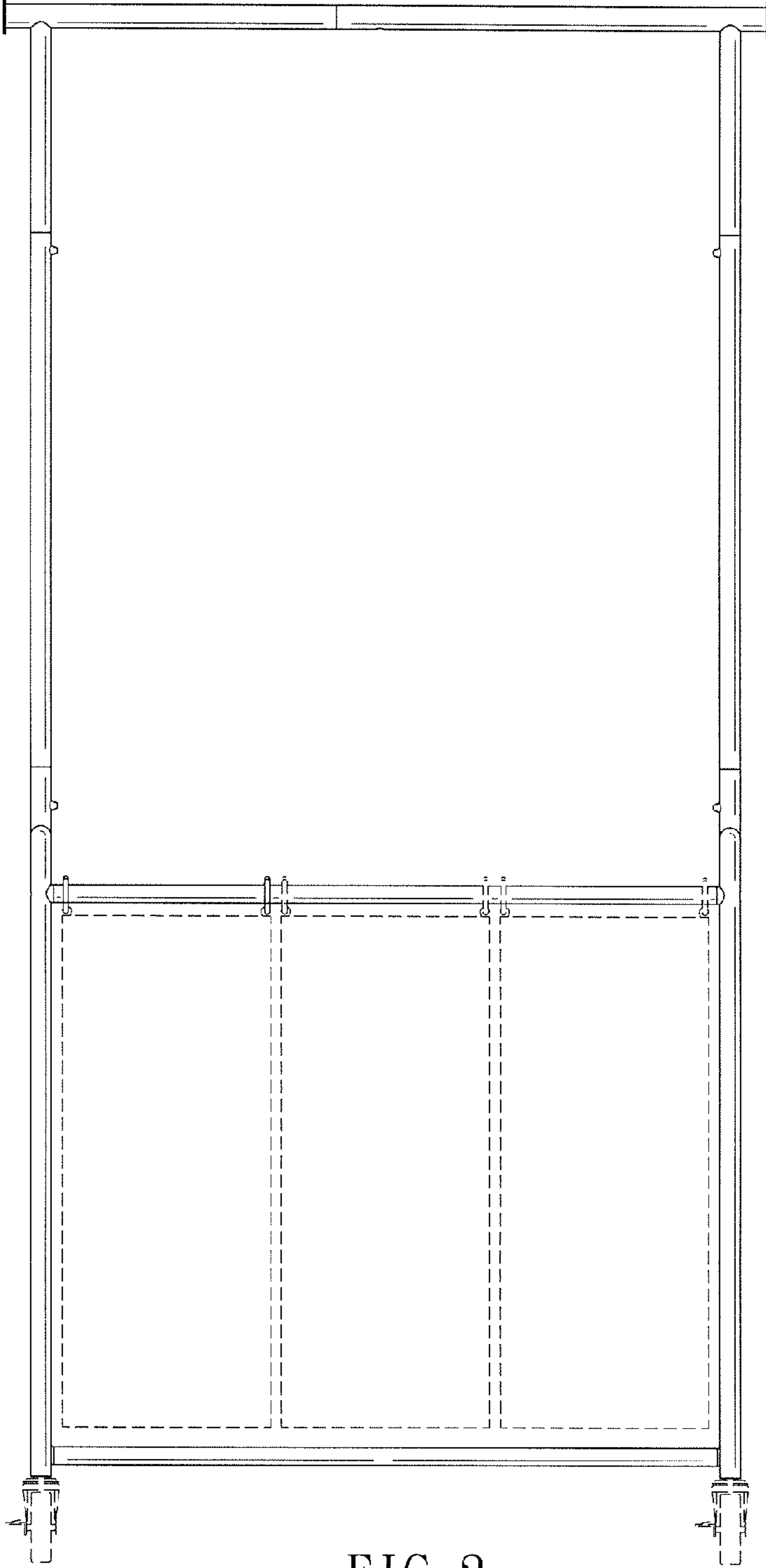


FIG. 2

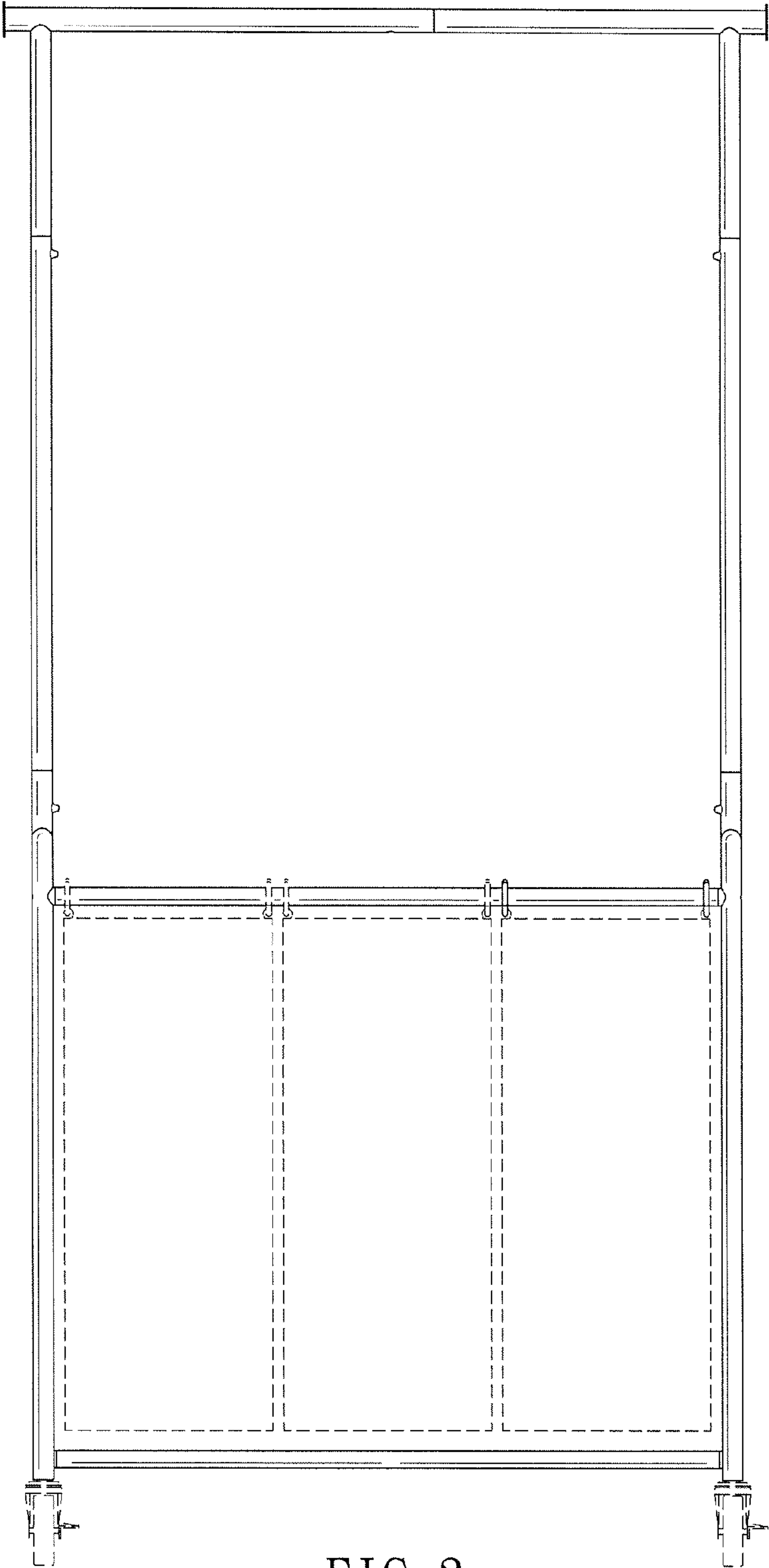


FIG. 3

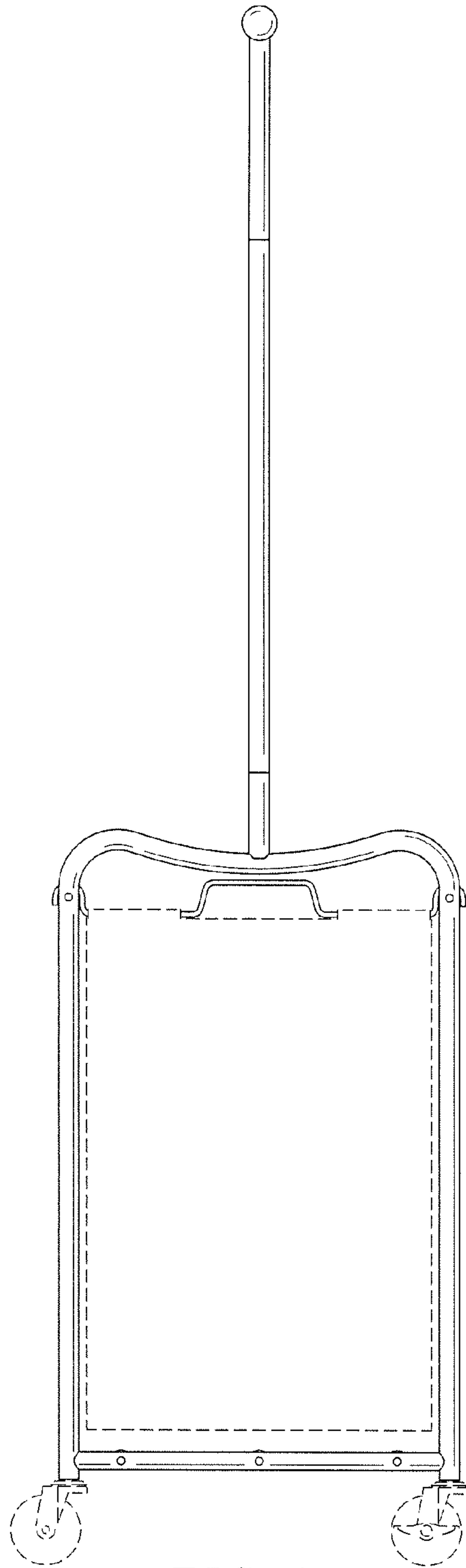


FIG. 4

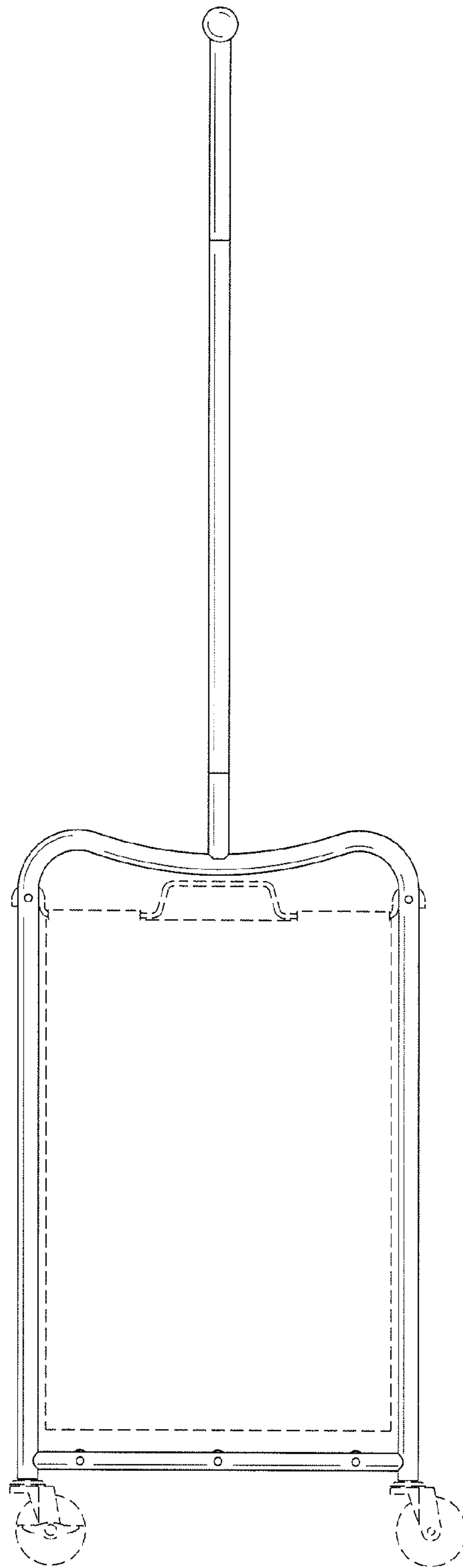


FIG. 5

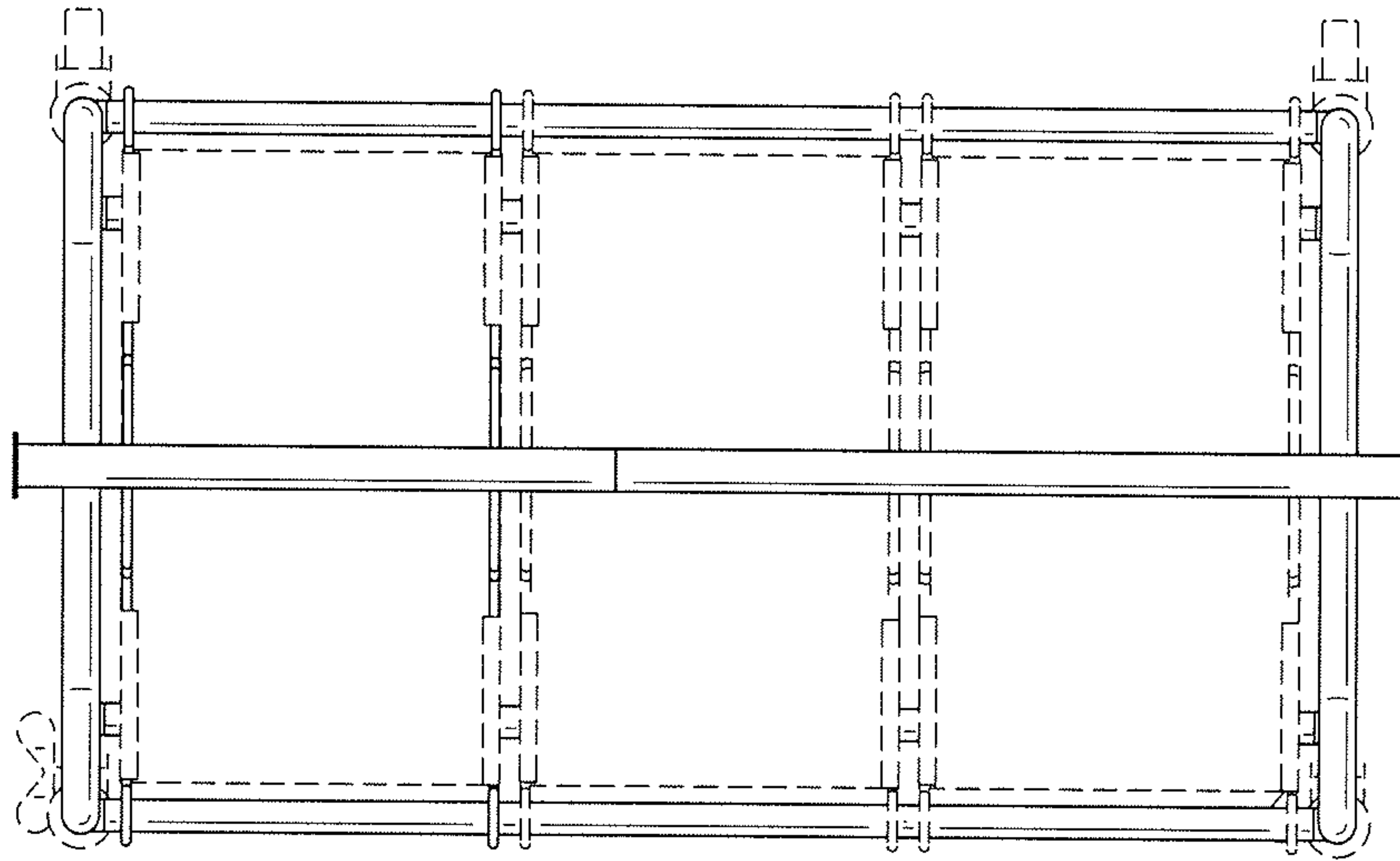


FIG. 6

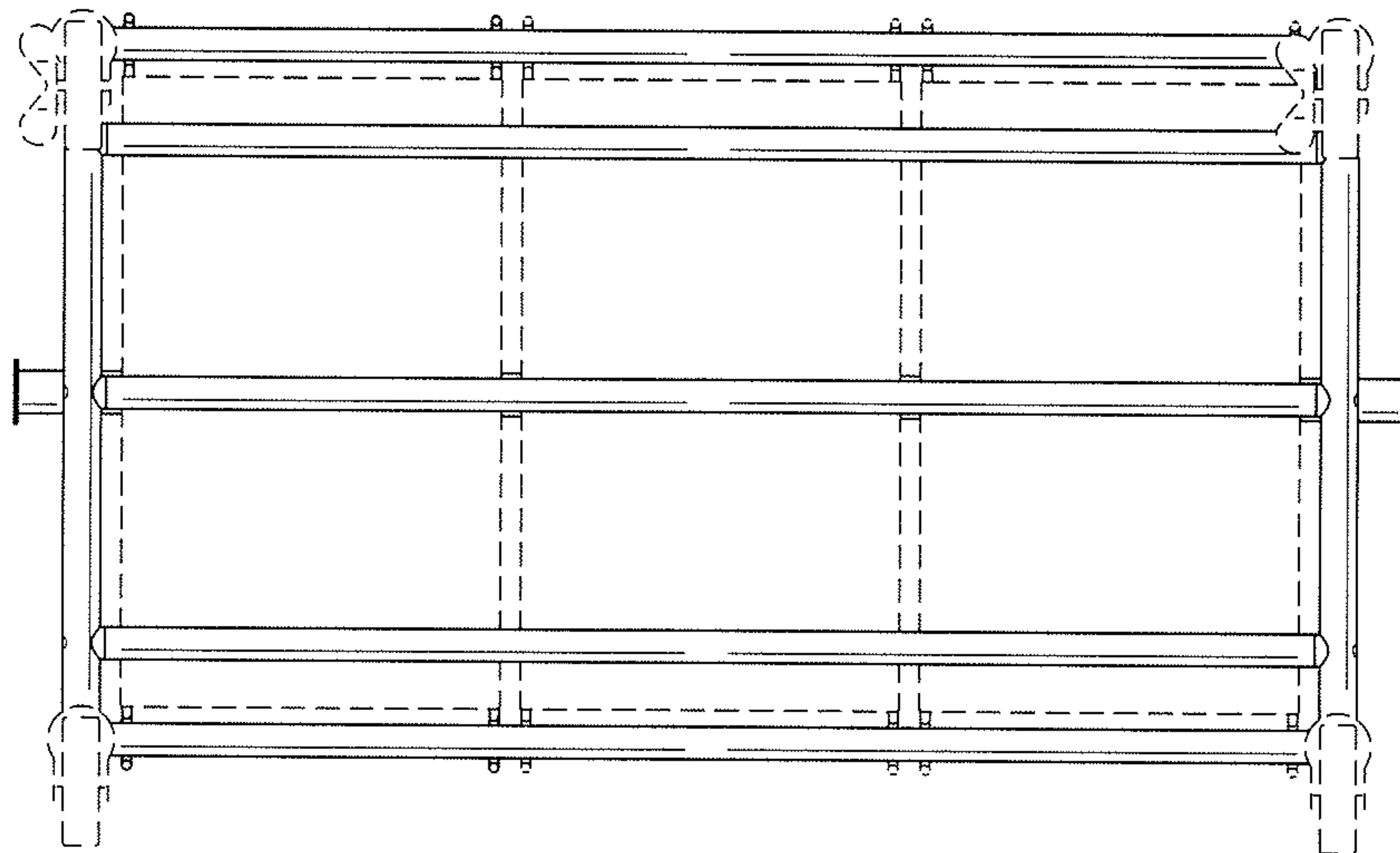


FIG. 7