



US00D760979S

(12) **United States Design Patent**  
**Chang**

(10) **Patent No.:** **US D760,979 S**

(45) **Date of Patent:** **\*\* Jul. 5, 2016**

(54) **LAUNDRY HAMPER**

(71) Applicant: **Charles Yao Chung Chang**, Diamond Bar, CA (US)

(72) Inventor: **Charles Yao Chung Chang**, Diamond Bar, CA (US)

(73) Assignee: **OCEANSTAR DESIGN GROUP INC.**, Diamond Bar, CA (US)

(\*\*) Term: **14 Years**

(21) Appl. No.: **29/512,134**

(22) Filed: **Dec. 17, 2014**

(51) **LOC (10) Cl.** ..... **08-99**

(52) **U.S. Cl.**  
USPC ..... **D32/37**

(58) **Field of Classification Search**  
USPC ..... D32/37, 35, 53, 53.1; D34/1; D3/285, D3/284, 304-314; D6/329, 335, 336, 663, D6/664, 667; 220/522, 523, 669, 670, 671, 220/672, 673, 908  
CPC ..... D06F 95/002; D06F 95/006  
See application file for complete search history.

(56) **References Cited**

**U.S. PATENT DOCUMENTS**

5,118,173 A \* 6/1992 Proctor ..... D06F 95/002  
220/23.88  
D337,188 S \* 7/1993 Bonskowski ..... D34/1

D353,237 S 12/1994 Banker  
D440,722 S 4/2001 Walker  
D463,637 S \* 9/2002 Walker ..... D32/37  
D493,302 S \* 7/2004 Sabo ..... D6/667  
D507,687 S \* 7/2005 Moon ..... D34/1  
7,073,677 B2 \* 7/2006 Richardson ..... B65F 1/02  
220/4.32  
D555,862 S \* 11/2007 Weiss ..... D34/1  
D625,478 S 10/2010 Cittadino et al.  
D625,479 S 10/2010 Cittadino et al.  
D643,583 S \* 8/2011 Duvigneau ..... D32/37

\* cited by examiner

*Primary Examiner* — Susan Bennett Hattan

*Assistant Examiner* — Rebecca Tsehaye

(74) *Attorney, Agent, or Firm* — Dunlap, Bennett & Ludwig PLLC

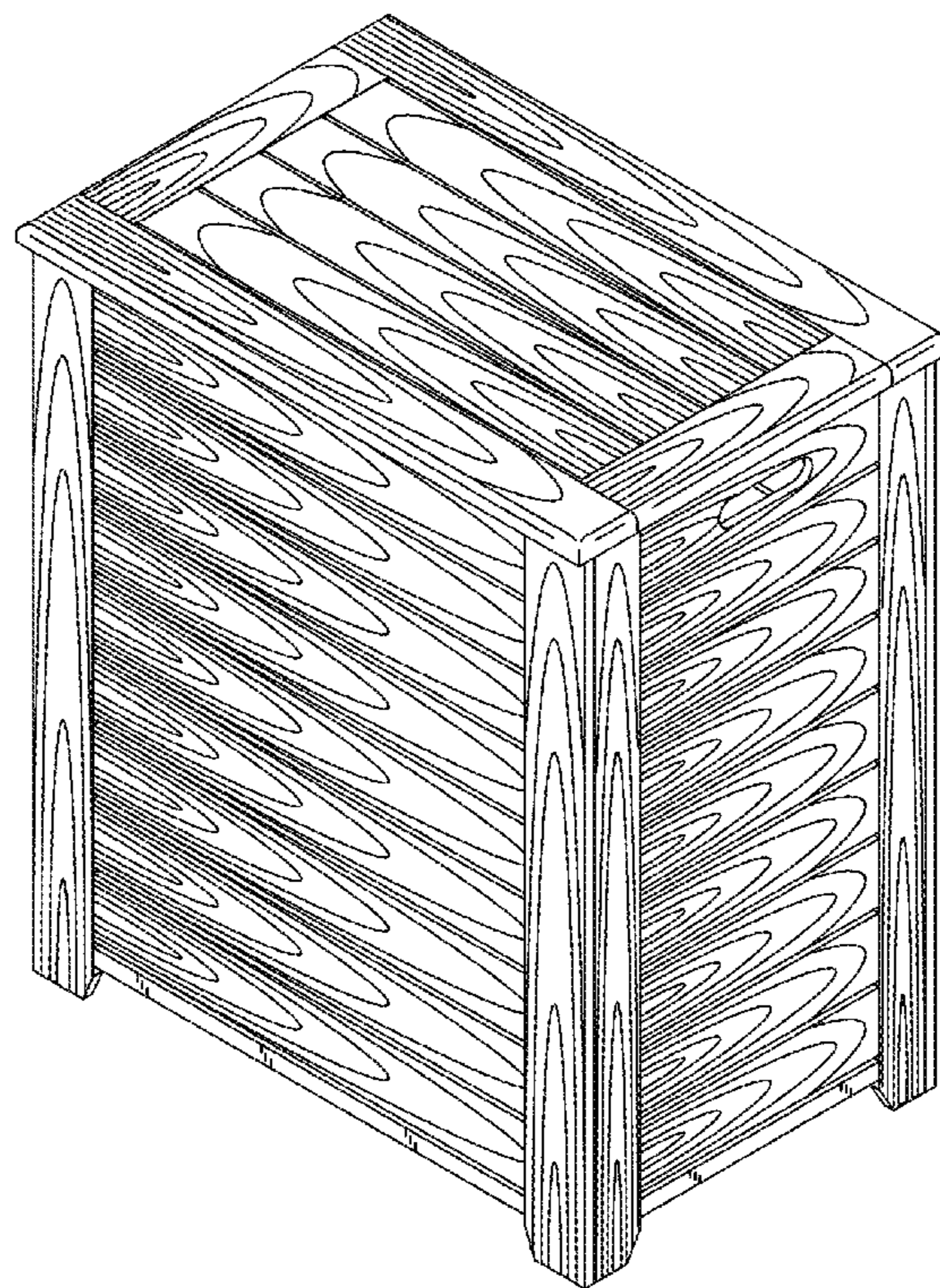
(57) **CLAIM**

The ornamental design for a laundry hamper, as shown and described.

**DESCRIPTION**

FIG. 1 is a perspective view of a laundry hamper;  
FIG. 2 is a top plan view thereof;  
FIG. 3 is a front elevation view thereof;  
FIG. 4 is a bottom plan view thereof;  
FIG. 5 is a rear elevation view thereof; and,  
FIG. 6 is a side elevation view thereof.

**1 Claim, 4 Drawing Sheets**



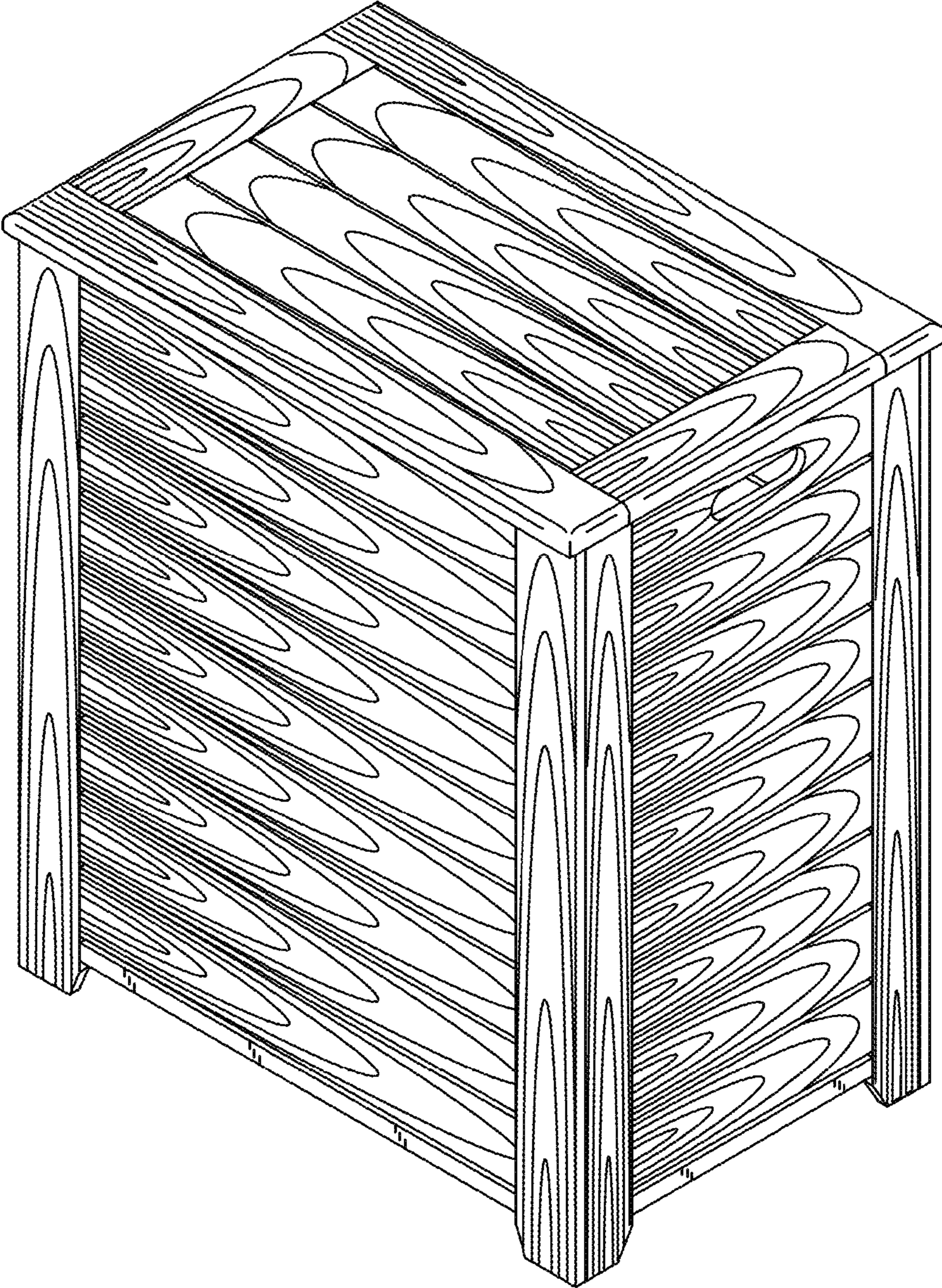


FIG.1

FIG.2

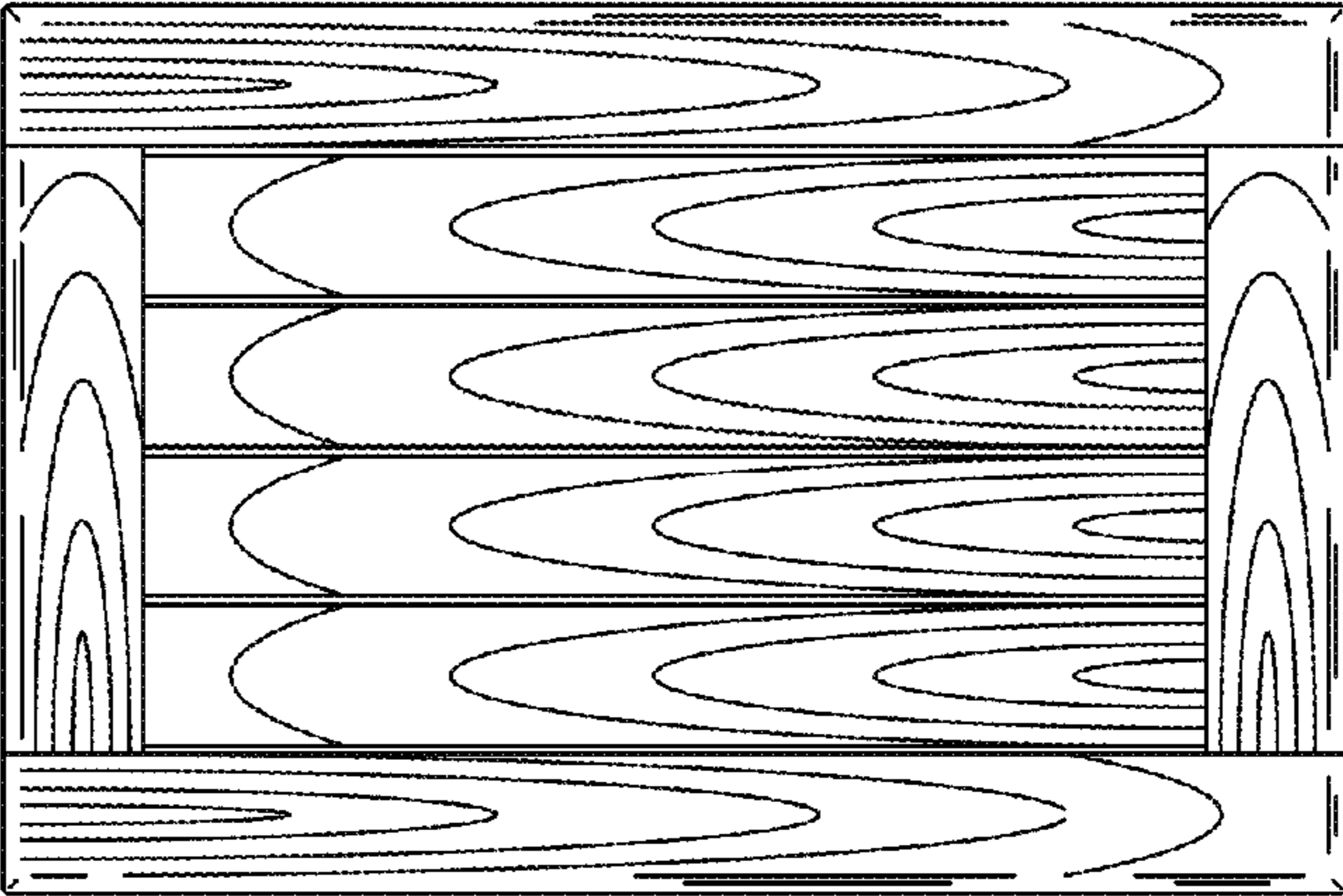


FIG.3

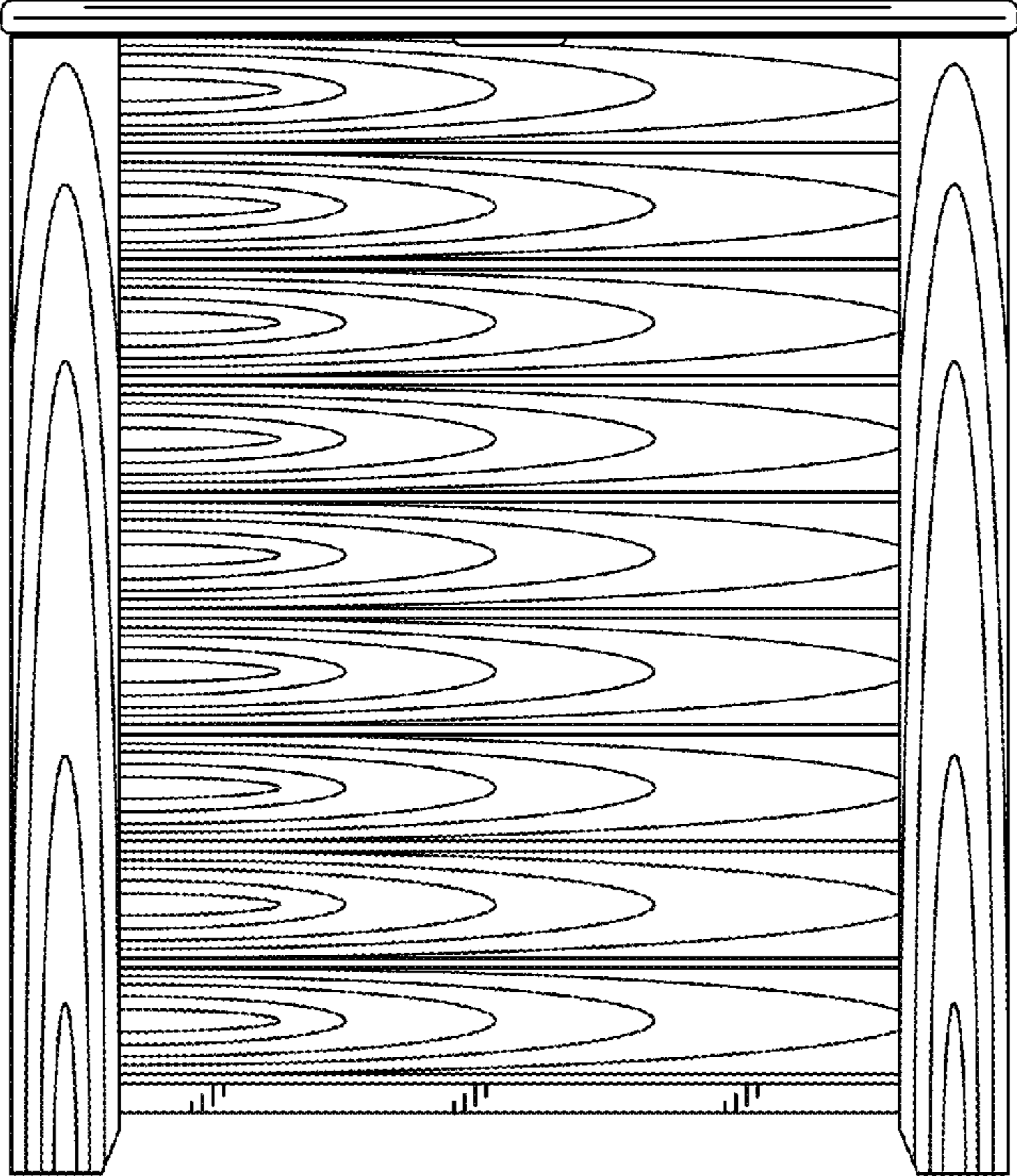


FIG.4

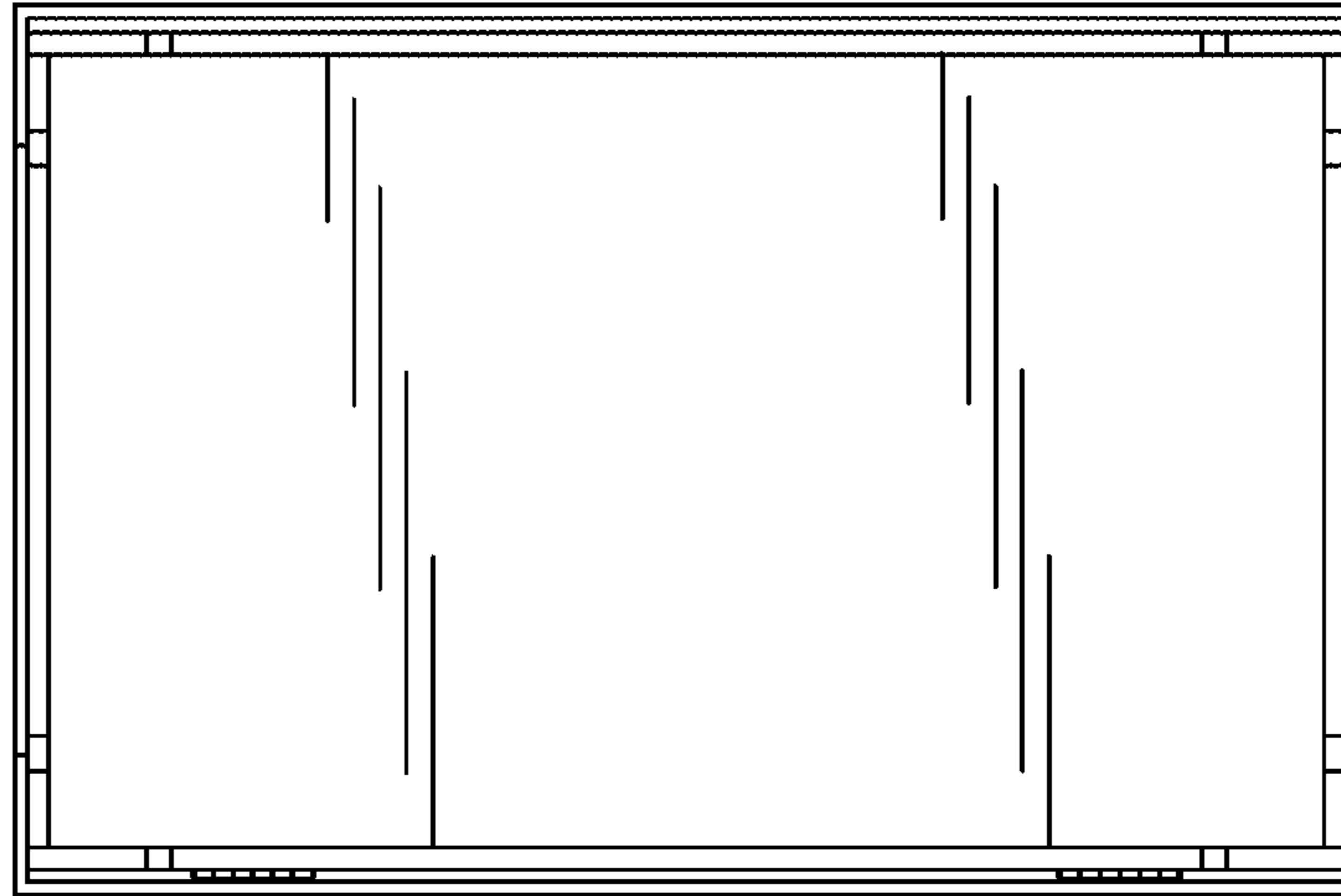
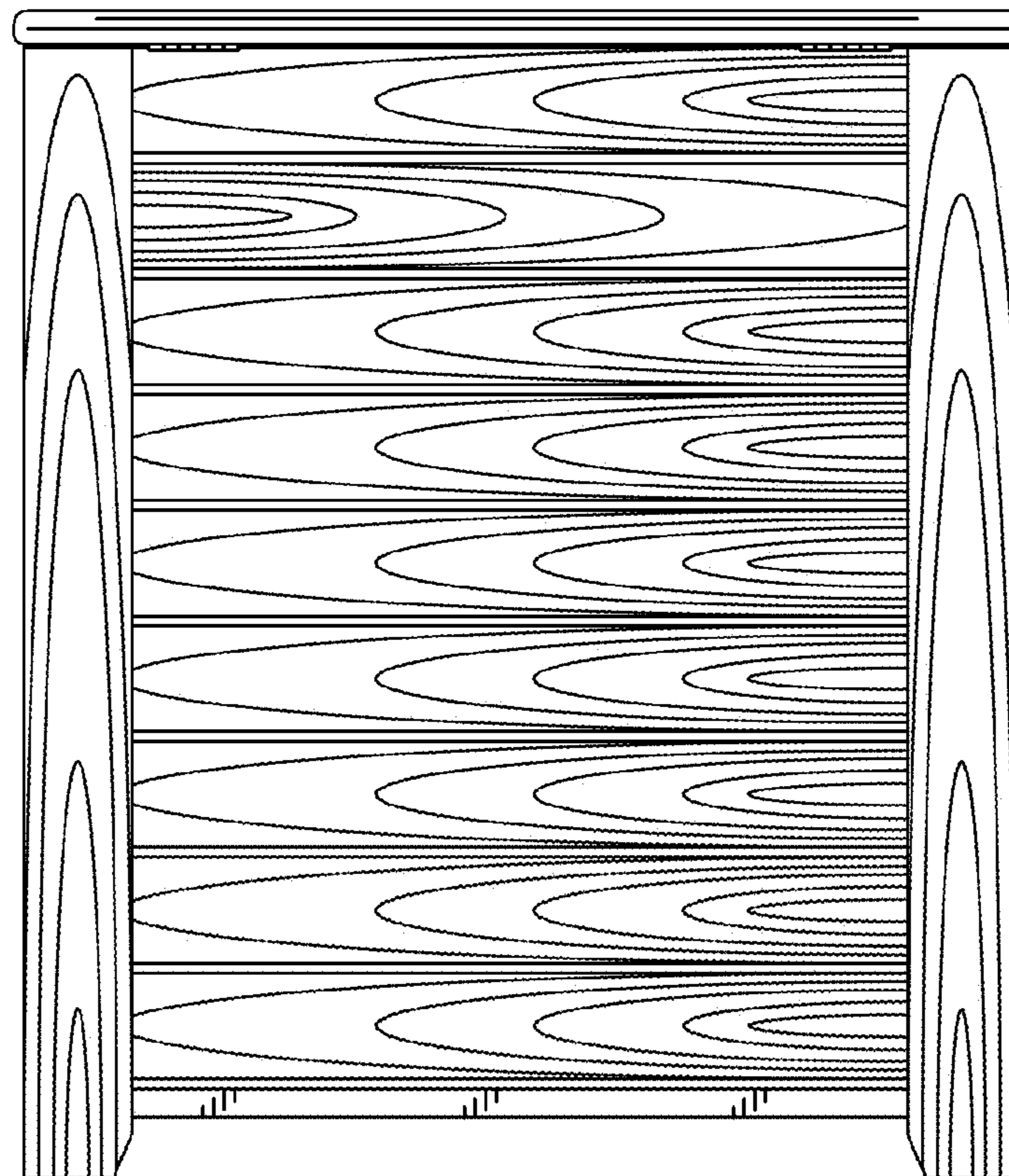


FIG.5



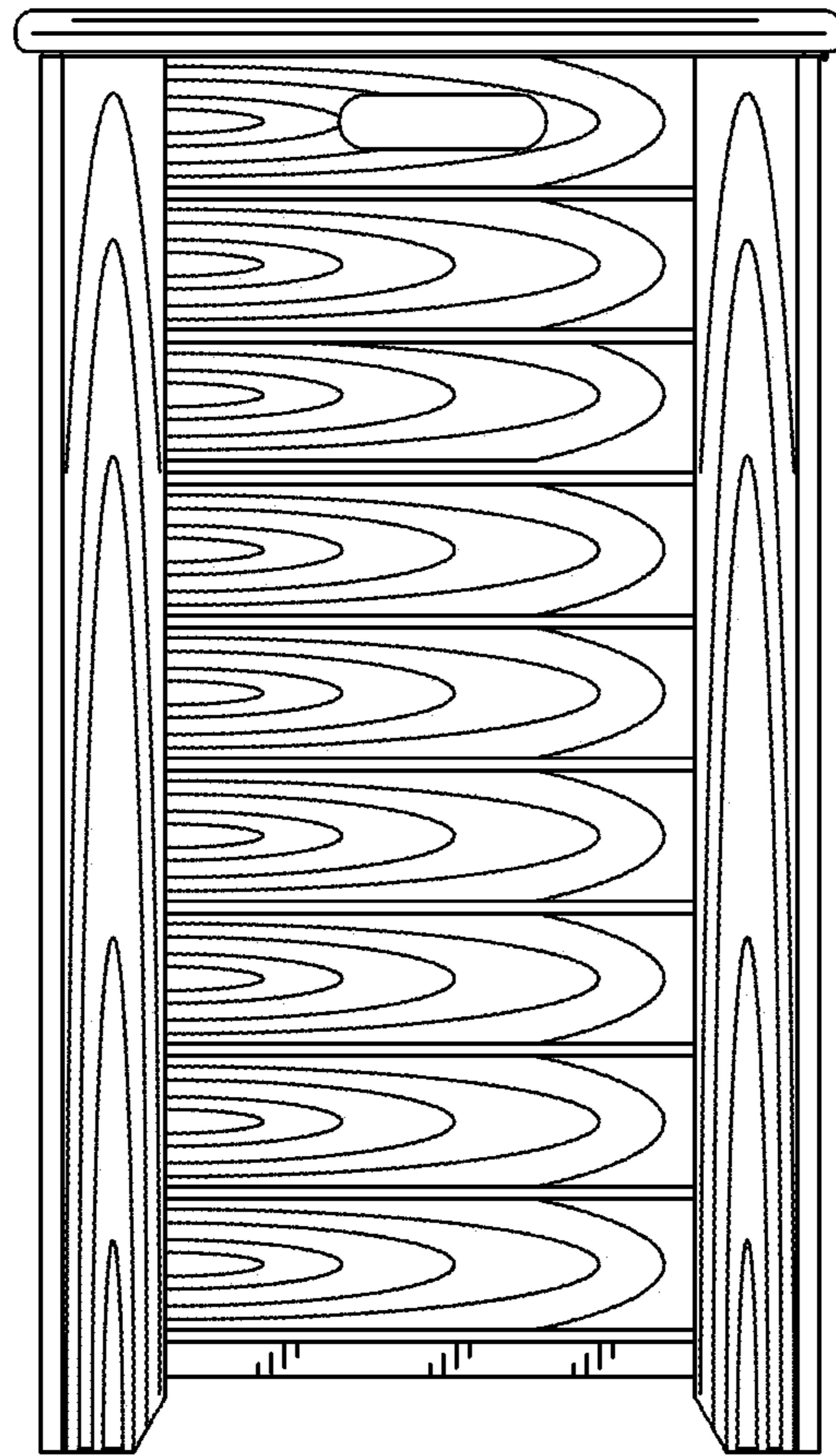


FIG. 6