



US00D760974S

(12) **United States Design Patent**  
**Ventress et al.**

(10) **Patent No.:** **US D760,974 S**  
(45) **Date of Patent:** **\*\* Jul. 5, 2016**

(54) **TOOL FOR A VACUUM CLEANER**  
(71) Applicant: **Dyson Technology Limited**, Wiltshire (GB)  
(72) Inventors: **Sean Ventress**, Bristol (GB); **Adam James Bates**, Oxford (GB); **Andrea Ee-Va Lim**, Bristol (GB); **Peter David Gammack**, Swindon (GB); **James Dyson**, Bristol (GB)

(73) Assignee: **Dyson Technology Limited**, Malmesbury, Wiltshire (GB)

(\*\*) Term: **14 Years**

(21) Appl. No.: **29/498,672**

(22) Filed: **Aug. 6, 2014**

(30) **Foreign Application Priority Data**

Feb. 10, 2014 (EM) ..... 002402057-0007

(51) **LOC (10) Cl.** ..... **15-05**

(52) **U.S. Cl.**  
USPC ..... **D32/32**

(58) **Field of Classification Search**  
USPC ..... D32/31-33, 40, 50, 25  
CPC ..... A47L 11/4044; A47L 9/02; A47L 13/12; A47L 13/20; A47L 1/08; A47K 7/02  
See application file for complete search history.

(56) **References Cited**

**U.S. PATENT DOCUMENTS**

D147,125 S \* 7/1947 Harvuot ..... D32/32  
D158,774 S \* 5/1950 Lippincott ..... D32/32  
D200,093 S \* 1/1965 Frost ..... D32/32  
D206,055 S \* 10/1966 Bearse ..... D32/32  
D359,148 S \* 6/1995 Henrie ..... D32/33

D369,448 S \* 4/1996 de Blois et al. .... D32/33  
D375,822 S \* 11/1996 Lessig et al. .... D32/32  
D483,162 S \* 12/2003 Lausevic ..... D32/32  
D509,332 S \* 9/2005 White ..... D32/32  
D513,101 S \* 12/2005 Allard et al. .... D32/32  
D520,201 S \* 5/2006 Dyson et al. .... D32/33  
D590,111 S \* 4/2009 Wiljanen et al. .... D32/32  
D658,832 S \* 5/2012 Eden et al. .... D32/32  
D666,373 S \* 8/2012 Eden et al. .... D32/32  
2004/0020007 A1 \* 2/2004 Lausevic ..... 15/420  
2012/0090639 A1 \* 4/2012 Heldman et al. .... 134/21  
2013/0326843 A1 \* 12/2013 Schwartz ..... 15/415.1

**OTHER PUBLICATIONS**

Ventress et al., U.S. Office Action mailed Dec. 9, 2015, directed to U.S. Appl. No. 29/498,668; 7 pages.  
Ventress et al., U.S. Office Action mailed Dec. 9, 2015, directed to U.S. Appl. No. 29/498,669; 7 pages.

(Continued)

*Primary Examiner* — Ruth McInroy

(74) *Attorney, Agent, or Firm* — Morrison & Foerster LLP

(57) **CLAIM**

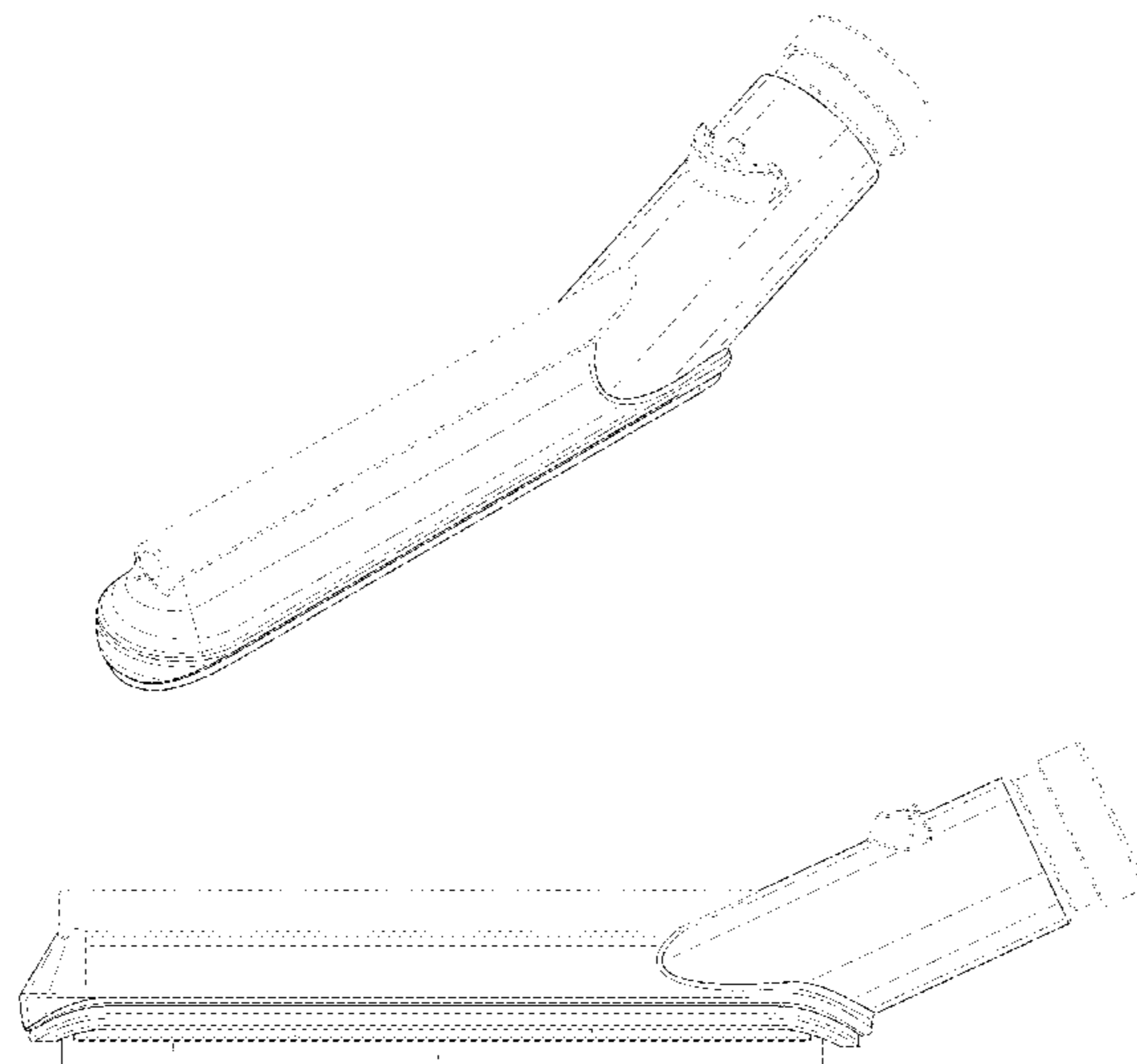
We claim the ornamental design for a tool for a vacuum cleaner, as shown and described.

**DESCRIPTION**

FIG. 1 is a perspective view of a tool for a vacuum cleaner showing our new design;  
FIG. 2 is a front view thereof;  
FIG. 3 is a rear view thereof;  
FIG. 4 is a side view thereof;  
FIG. 5 is a side view of the opposite side of FIG. 4;  
FIG. 6 is a top view thereof; and,  
FIG. 7 is a bottom view thereof.

The details shown in broken lines form no part of the claimed design.

**1 Claim, 5 Drawing Sheets**



(56)

**References Cited**

OTHER PUBLICATIONS

Ventress et al., U.S. Office Action mailed Dec. 9, 2015, directed to U.S. Appl. No. 29/498,670; 7 pages.

Ventress et al., U.S. Office Action mailed Dec. 9, 2015, directed to U.S. Appl. No. 29/498,673; 7 pages.

Ventress et al., U.S. Office Action mailed Dec. 10, 2015, directed to U.S. Appl. No. 29/498,671; 7 pages.

Ventress et al., U.S. Office Action mailed Dec. 10, 2015, directed to U.S. Appl. No. 29/498,684; 7 pages.

Ventress et al., U.S. Office Action mailed Dec. 14, 2015, directed to U.S. Appl. No. 29/498,674; 7 pages.

\* cited by examiner

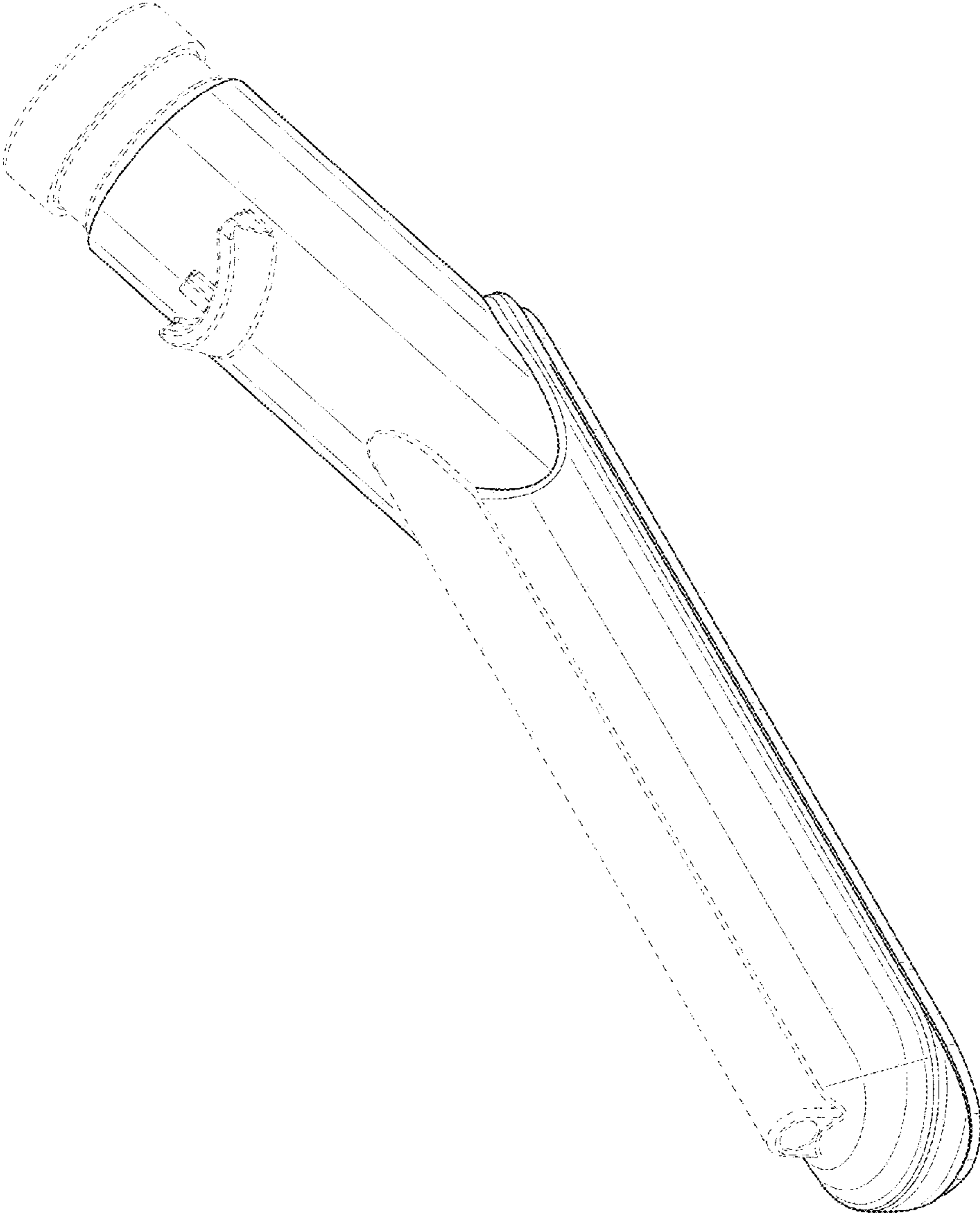


FIG. 1

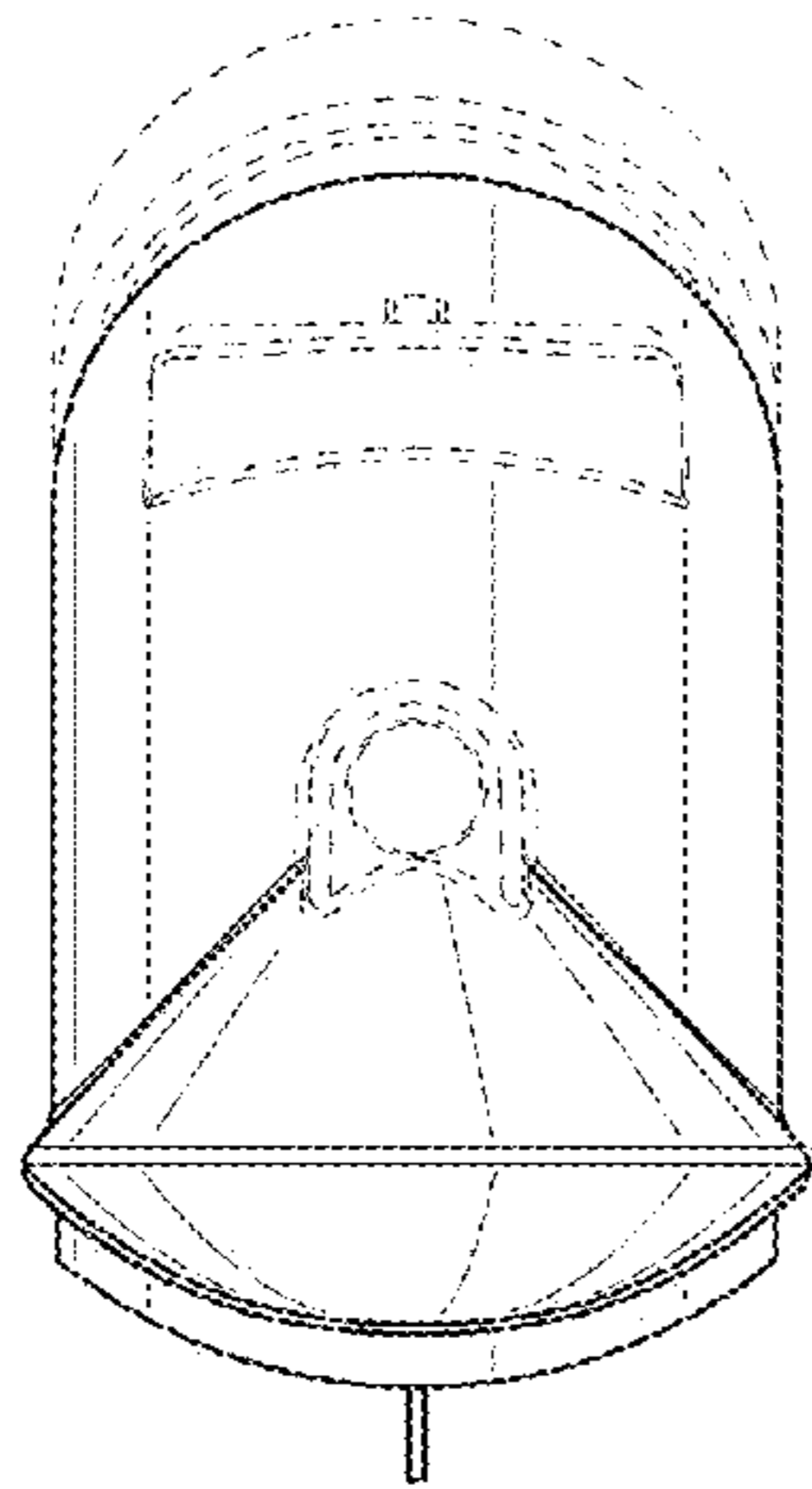


FIG. 2

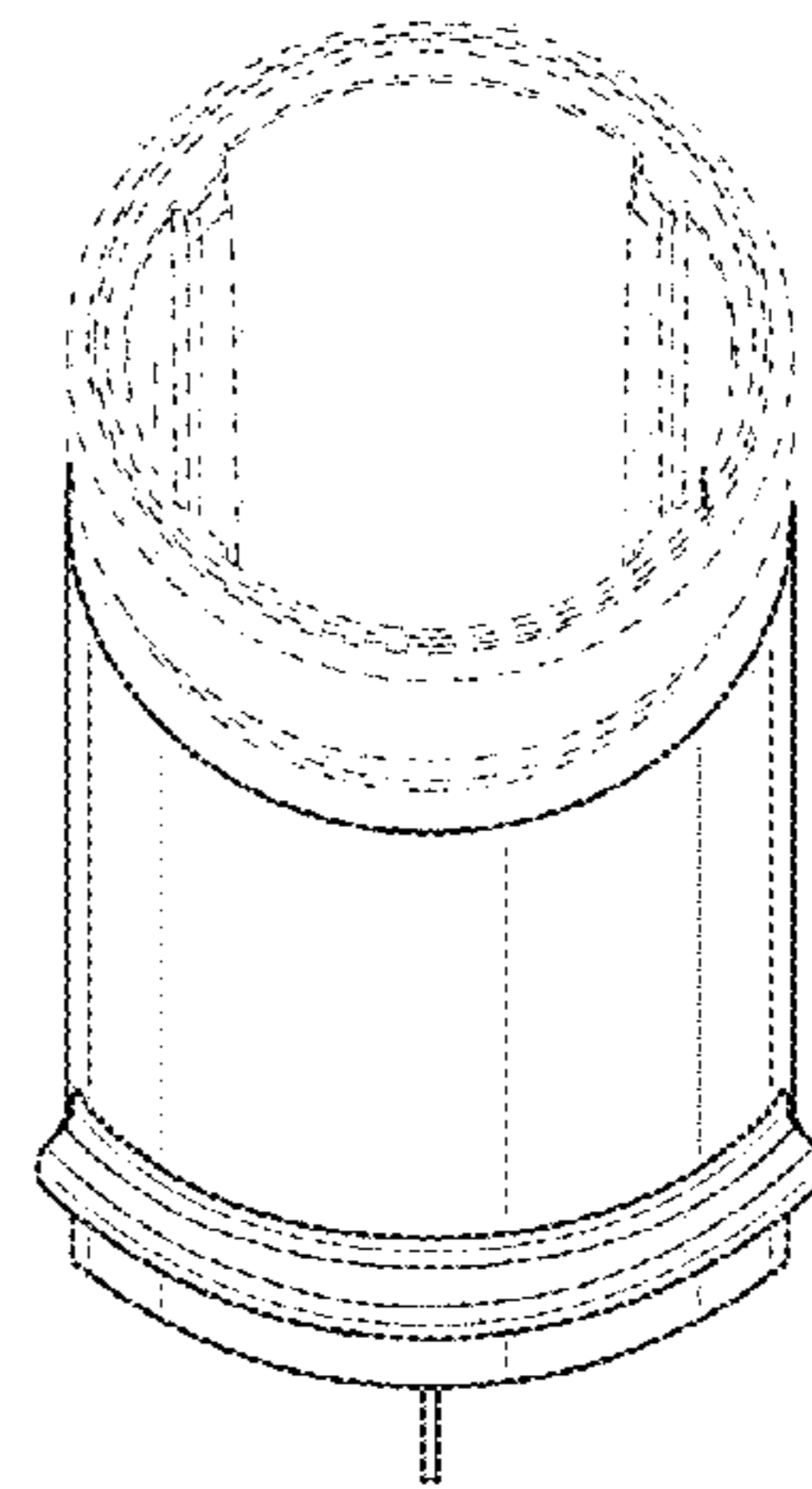


FIG. 3

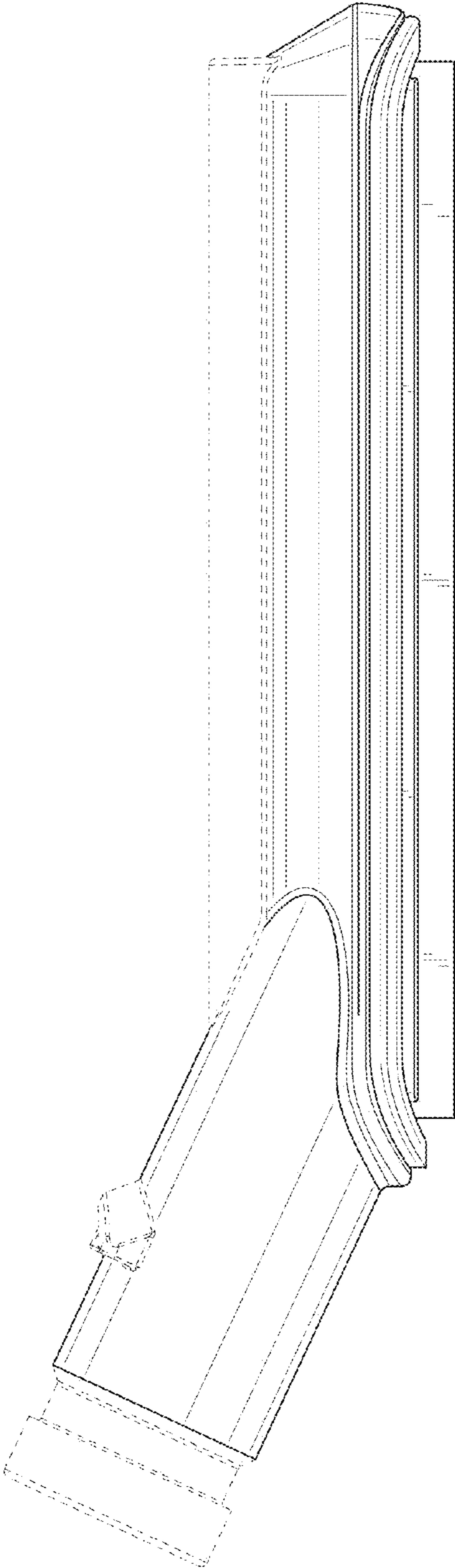


FIG. 4

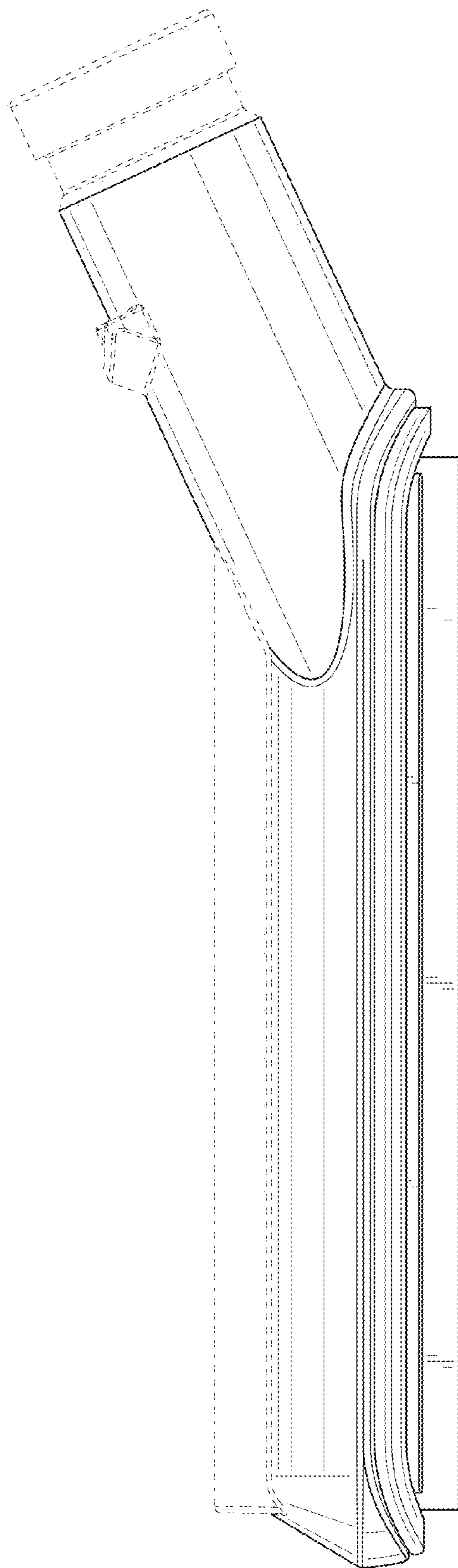


FIG. 5

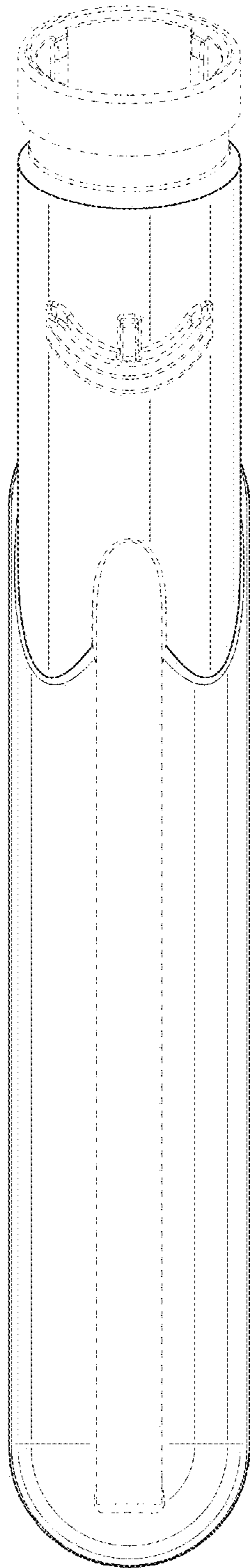


FIG. 6

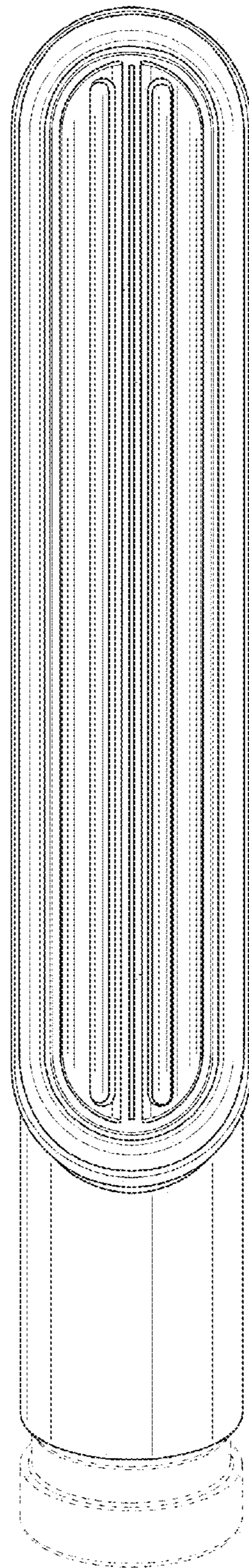


FIG. 7