



US00D760972S

(12) **United States Design Patent**
Ventress et al.

(10) **Patent No.:** **US D760,972 S**
(45) **Date of Patent:** **** Jul. 5, 2016**

(54) **TOOL FOR A VACUUM CLEANER**

(71) Applicant: **Dyson Technology Limited**, Wiltshire (GB)

(72) Inventors: **Sean Ventress**, Bristol (GB); **Adam James Bates**, Oxford (GB); **Andrea Ee-Va Lim**, Bristol (GB); **Peter David Gammack**, Swindon (GB); **James Dyson**, Bristol (GB)

(73) Assignee: **Dyson Technology Limited**, Malmesbury, Wiltshire (GB)

(**) Term: **14 Years**

(21) Appl. No.: **29/498,670**

(22) Filed: **Aug. 6, 2014**

(30) **Foreign Application Priority Data**

Feb. 10, 2014 (EM) 002402057-0005

(51) **LOC (10) Cl.** **15-05**

(52) **U.S. Cl.**
USPC **D32/32**

(58) **Field of Classification Search**
USPC D32/31-33, 40, 50, 25
CPC A47L 11/4044; A47L 9/02; A47L 13/12;
A47L 13/20; A47L 1/08; A47K 7/02
See application file for complete search history.

(56) **References Cited**

U.S. PATENT DOCUMENTS

D147,125 S *	7/1947	Harvuot	D32/32
D158,774 S *	5/1950	Lippincott	D32/32
D200,093 S *	1/1965	Frost	D32/32
D206,055 S *	10/1966	Bearse et al.	D32/32
D359,148 S *	6/1995	Henrie	D32/33

D369,448 S *	4/1996	de Blois et al.	D32/33
D375,822 S *	11/1996	Lessig et al.	D32/32
D483,162 S *	12/2003	Lausevic	D32/32
D509,332 S *	9/2005	White	D32/32
D513,101 S *	12/2005	Allard et al.	D32/32
D520,201 S *	5/2006	Dyson et al.	D32/33
D590,111 S *	4/2009	Wiljanen et al.	D32/32
D658,832 S *	5/2012	Eden et al.	D32/32
D666,373 S *	8/2012	Eden et al.	D32/32
2004/0020007 A1 *	2/2004	Lausevic	15/420
2012/0090639 A1 *	4/2012	Heldman et al.	134/21
2013/0326843 A1 *	12/2013	Schwartz	15/415.1

OTHER PUBLICATIONS

Ventress et al., U.S. Office Action mailed Dec. 9, 2015, directed to U.S. Appl. No. 29/498,668; 7 pages.
Ventress et al., U.S. Office Action mailed Dec. 9, 2015, directed to U.S. Appl. No. 29/498,669; 7 pages.

(Continued)

Primary Examiner — Ruth McInroy

(74) *Attorney, Agent, or Firm* — Morrison & Foerster LLP

(57) **CLAIM**

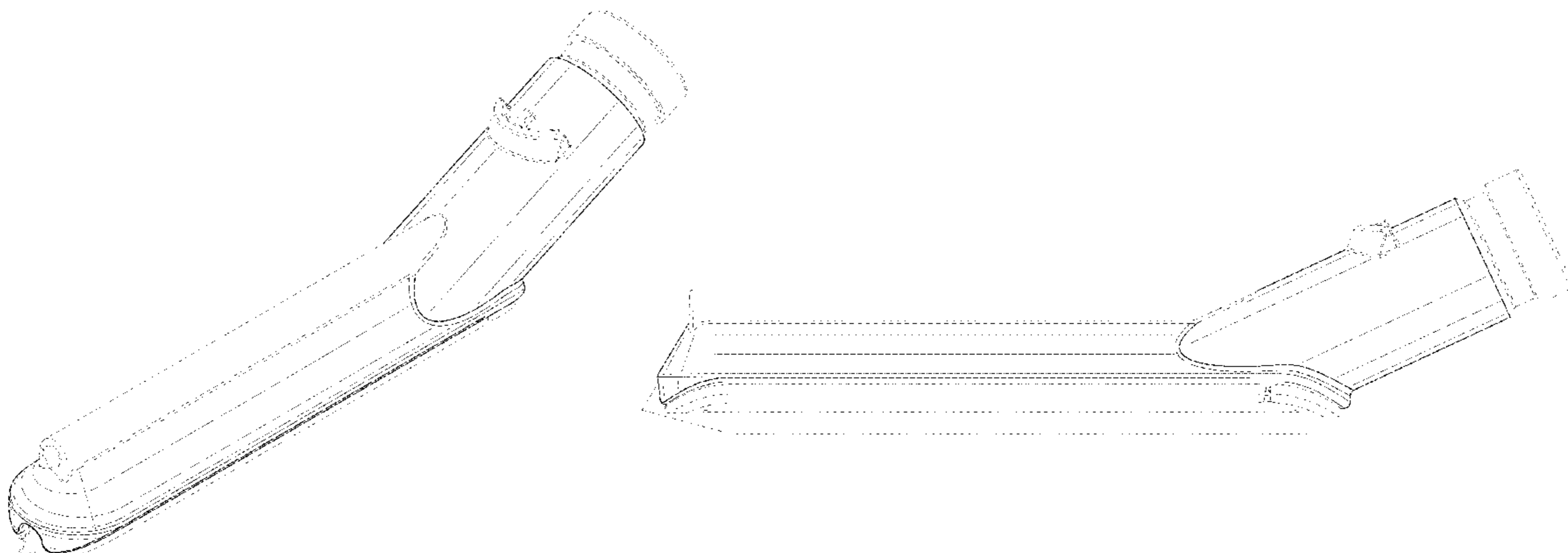
We claim the ornamental design for a tool for a vacuum cleaner, as shown and described.

DESCRIPTION

FIG. 1 is a perspective view of a tool for a vacuum cleaner showing our new design;
FIG. 2 is a front view thereof;
FIG. 3 is a rear view thereof;
FIG. 4 is a side view thereof;
FIG. 5 is a side view of the opposite side of FIG. 4;
FIG. 6 is a top view thereof; and,
FIG. 7 is a bottom view thereof.

The details shown in broken lines form no part of the claimed design.

1 Claim, 5 Drawing Sheets



(56)

References Cited

OTHER PUBLICATIONS

Ventress et al., U.S. Office Action mailed Dec. 9, 2015, directed to U.S. Appl. No. 29/498,673; 7 pages.

Ventress et al., U.S. Office Action mailed Dec. 10, 2015, directed to U.S. Appl. No. 29/498,684; 7 pages.

Ventress et al., U.S. Office Action mailed Dec. 10, 2015, directed to U.S. Appl. No. 29/498,671; 7 pages.

Ventress et al., U.S. Office Action mailed Dec. 11, 2015, directed to U.S. Appl. No. 29/498,672; 7 pages.

Ventress et al., U.S. Office Action mailed Dec. 14, 2015, directed to U.S. Appl. No. 29/498,674; 7 pages.

* cited by examiner

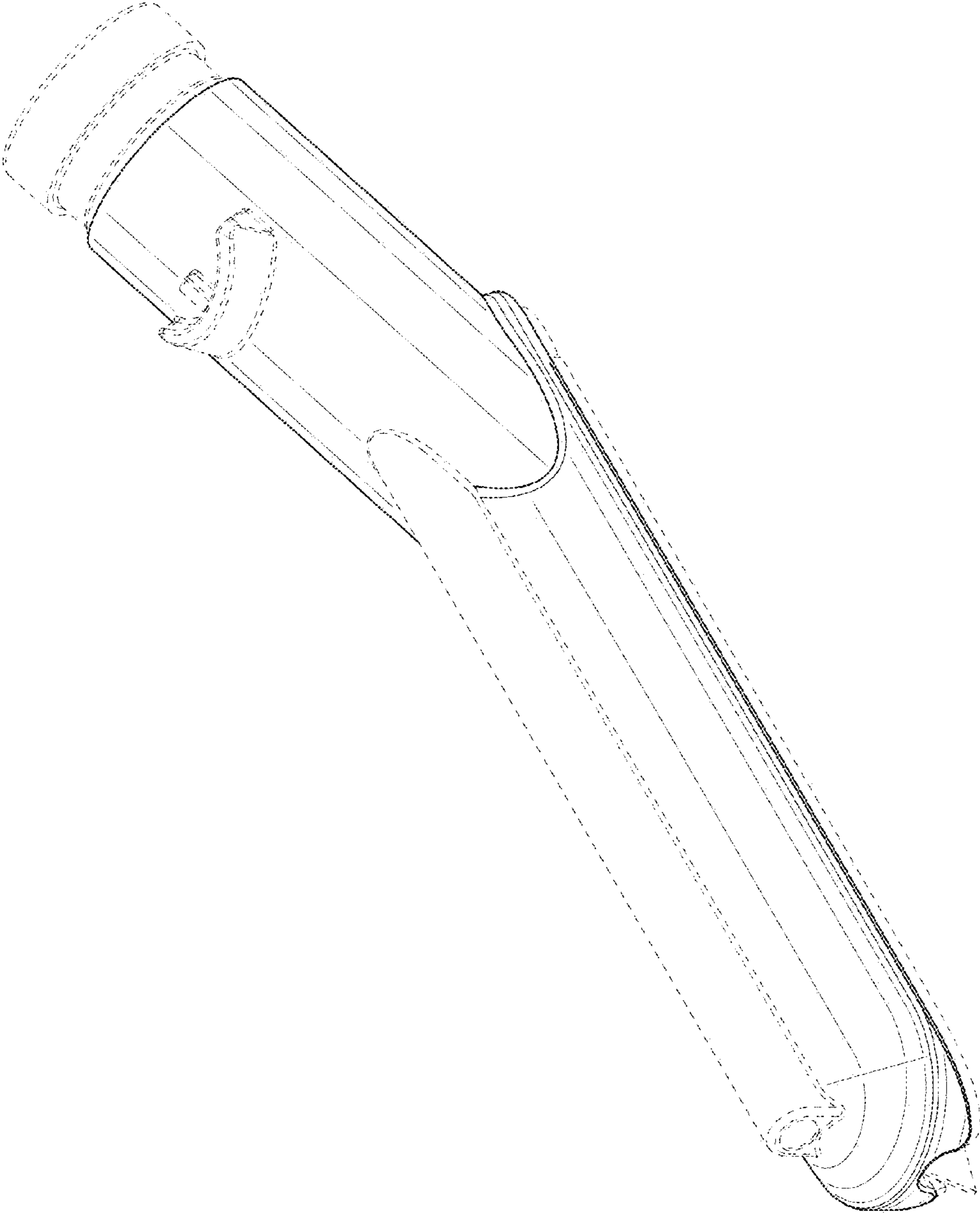


FIG. 1

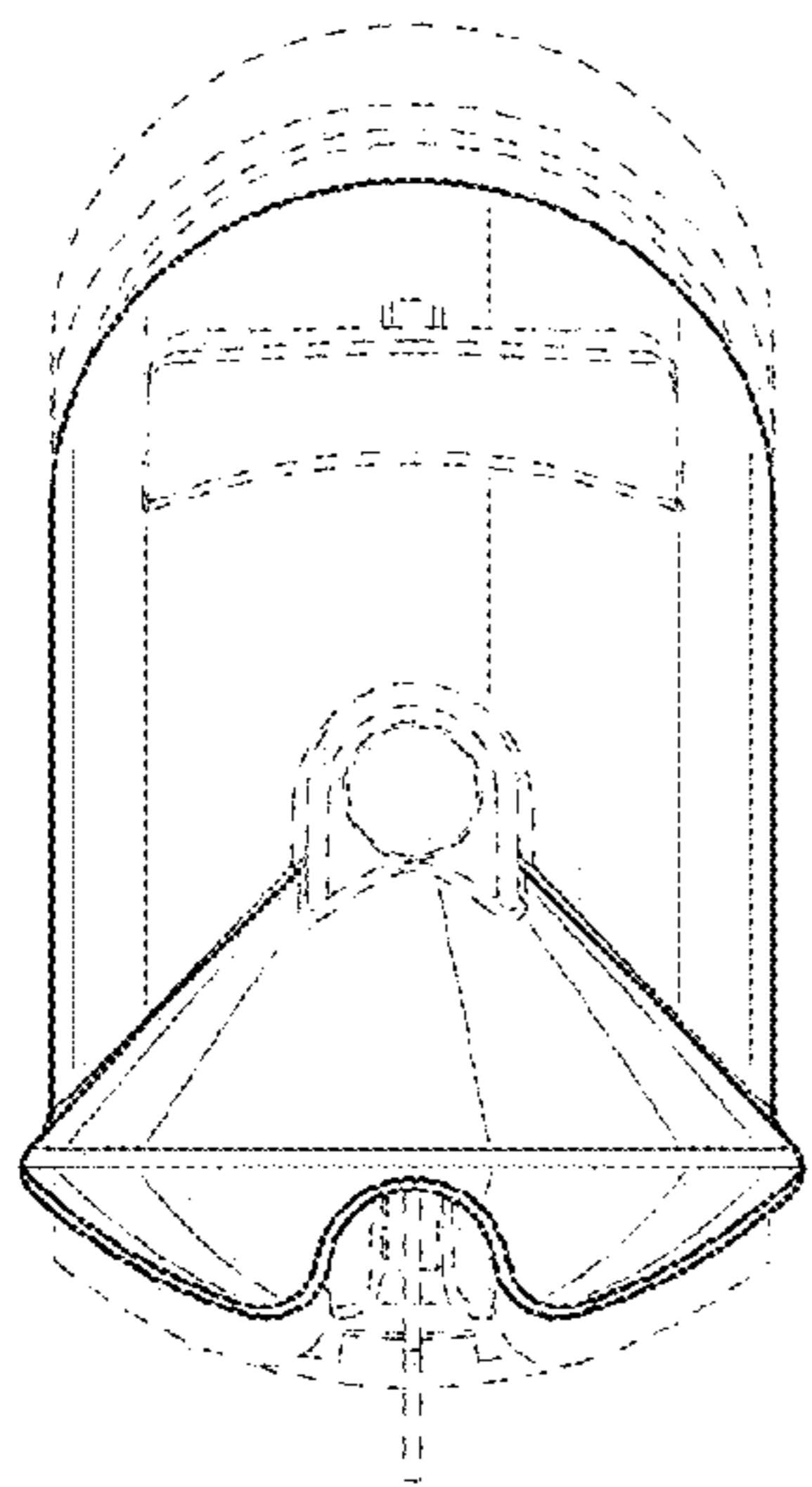


FIG. 2

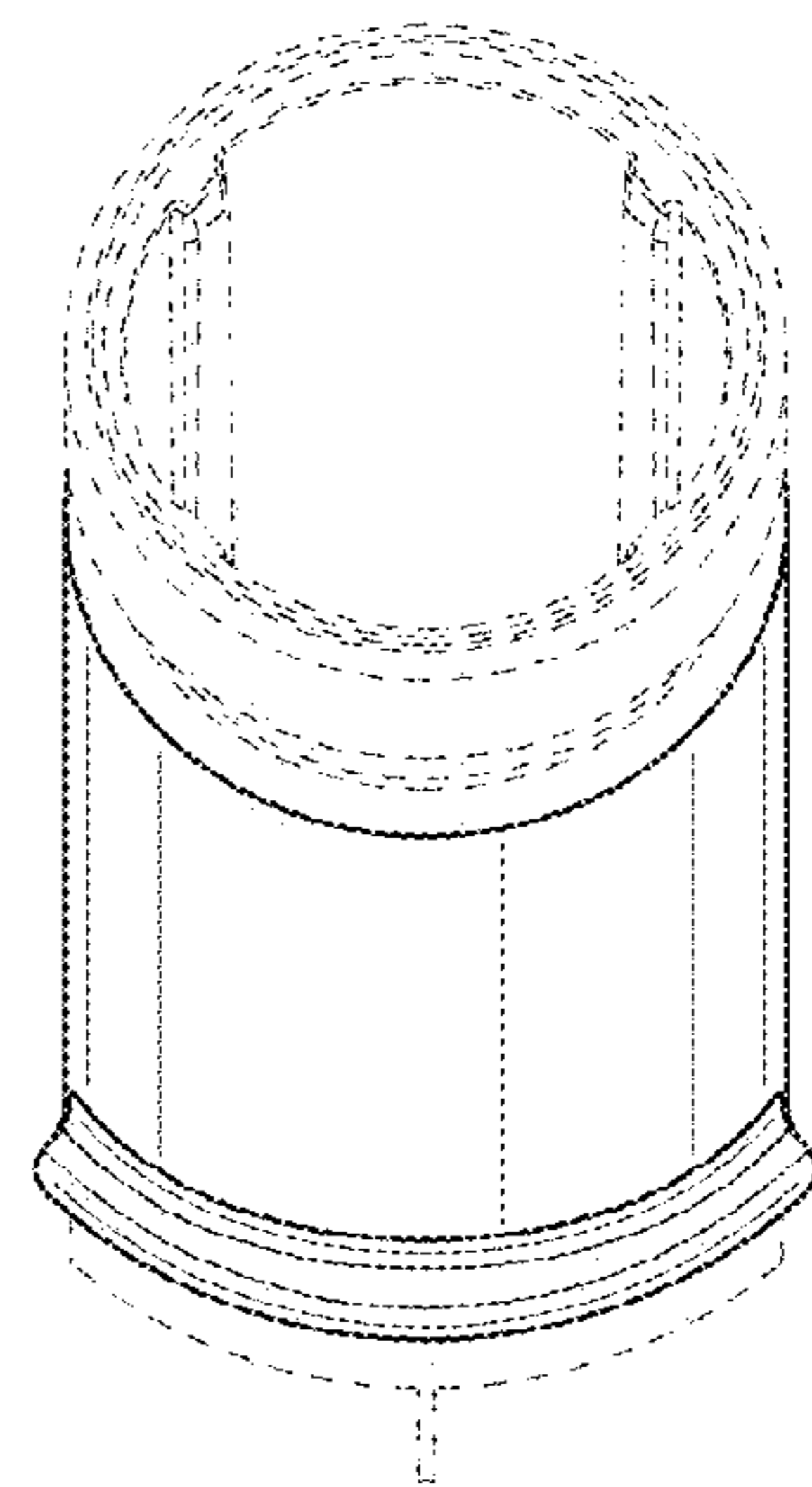


FIG. 3

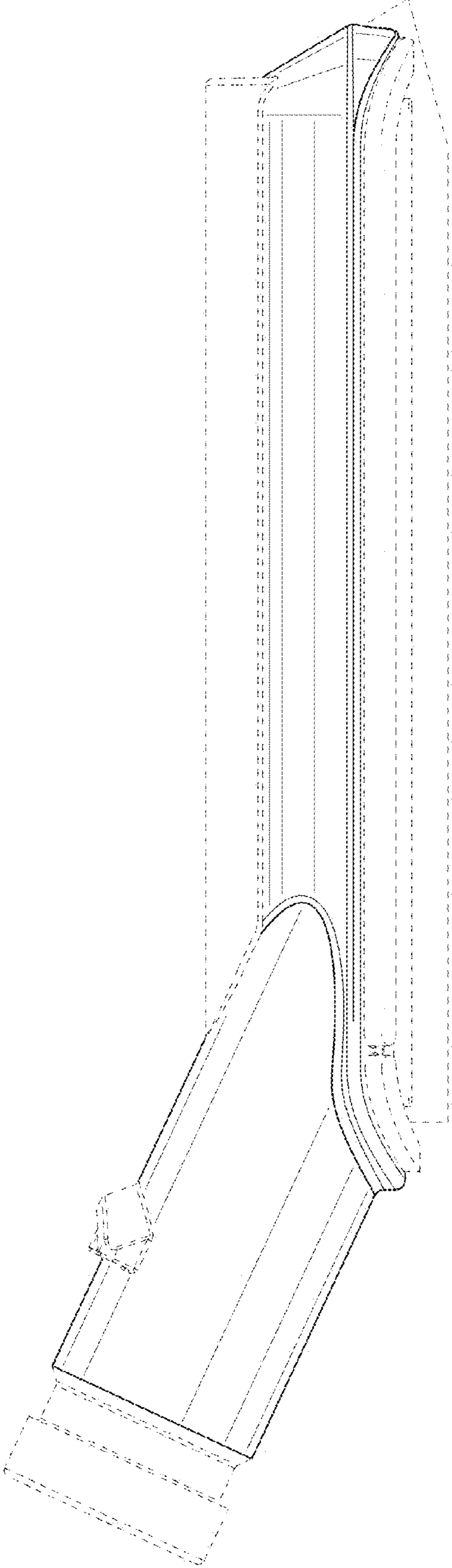


FIG. 4

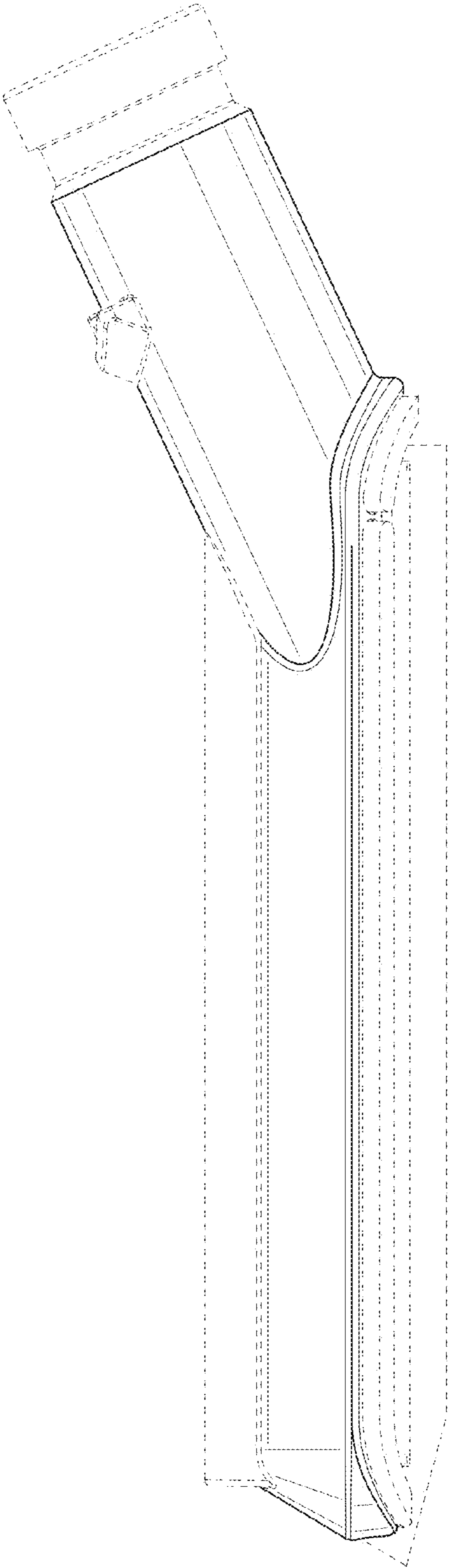


FIG. 5

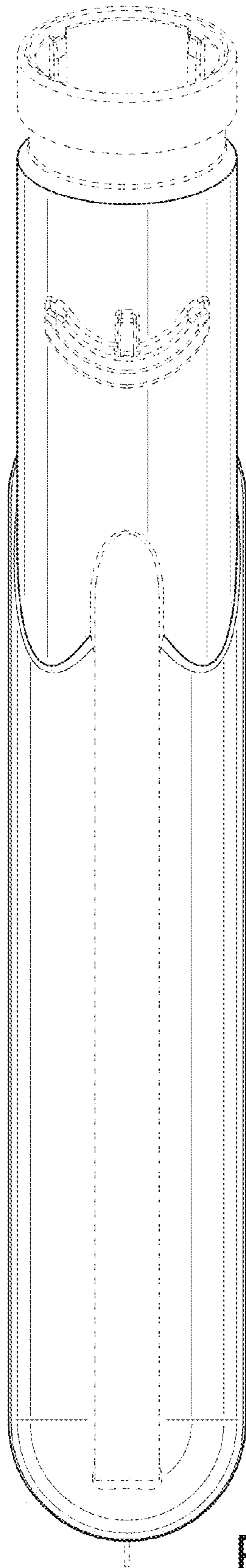


FIG. 6

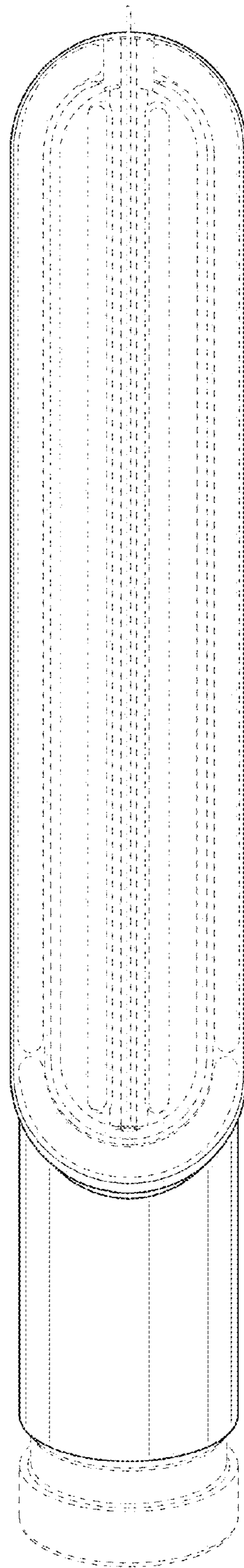


FIG. 7