



US00D760970S

(12) **United States Design Patent**  
**Ventress et al.**

(10) **Patent No.:** **US D760,970 S**  
(45) **Date of Patent:** **\*\* Jul. 5, 2016**

(54) **TOOL FOR A VACUUM CLEANER**

(71) Applicant: **Dyson Technology Limited**, Wiltshire (GB)

(72) Inventors: **Sean Ventress**, Bristol (GB); **Adam James Bates**, Oxford (GB); **Andrea Ee-Va Lim**, Bristol (GB); **Peter David Gammack**, Swindon (GB); **James Dyson**, Bristol (GB)

(73) Assignee: **Dyson Technology Limited**, Malmesbury, Wiltshire (GB)

(\*\*) Term: **14 Years**

(21) Appl. No.: **29/498,668**

(22) Filed: **Aug. 6, 2014**

(30) **Foreign Application Priority Data**

Feb. 10, 2014 (EM) ..... 002402057-0003

(51) **LOC (10) Cl.** ..... **15-05**

(52) **U.S. Cl.**  
USPC ..... **D32/32**

(58) **Field of Classification Search**  
USPC ..... D32/31-33, 40, 50, 25  
CPC ..... A47L 11/4044; A47L 9/02; A47L 13/12;  
A47L 13/20; A47L 1/08; A47K 7/02  
See application file for complete search history.

(56) **References Cited**

**U.S. PATENT DOCUMENTS**

D147,125	S	*	7/1947	Harvuot	.....	D32/32
D158,774	S	*	5/1950	Lippincott	.....	D32/32
D200,093	S	*	1/1965	Frost	.....	D32/32
D206,055	S	*	10/1966	Bearse et al.	.....	D32/32
D359,148	S	*	6/1995	Henrie	.....	D32/33
D369,448	S	*	4/1996	de Blois et al.	.....	D32/33

D375,822	S	*	11/1996	Lessig et al.	.....	D32/32
D483,162	S	*	12/2003	Lausevic	.....	D32/32
D509,332	S	*	9/2005	White	.....	D32/32
D513,101	S	*	12/2005	Allard et al.	.....	D32/32
D520,201	S	*	5/2006	Dyson et al.	.....	D32/33
D590,111	S	*	4/2009	Wiljanen et al.	.....	D32/32
D658,832	S	*	5/2012	Eden et al.	.....	D32/32
D666,373	S	*	8/2012	Eden et al.	.....	D32/32
2004/0020007	A1	*	2/2004	Lausevic	.....	15/420
2012/0090639	A1	*	4/2012	Heldman et al.	.....	134/21
2013/0326843	A1	*	12/2013	Schwartz	.....	15/415.1

**OTHER PUBLICATIONS**

Ventress et al., U.S. Office Action mailed Dec. 9, 2015, directed to U.S. Appl. No. 29/498,669; 7 pages.  
Ventress et al., U.S. Office Action mailed Dec. 9, 2015, directed to U.S. Appl. No. 29/498,670; 7 pages.  
Ventress et al., U.S. Office Action mailed Dec. 9, 2015, directed to U.S. Appl. No. 29/498,673; 7 pages.

(Continued)

*Primary Examiner* — Ruth McInroy

(74) *Attorney, Agent, or Firm* — Morrison & Foerster LLP

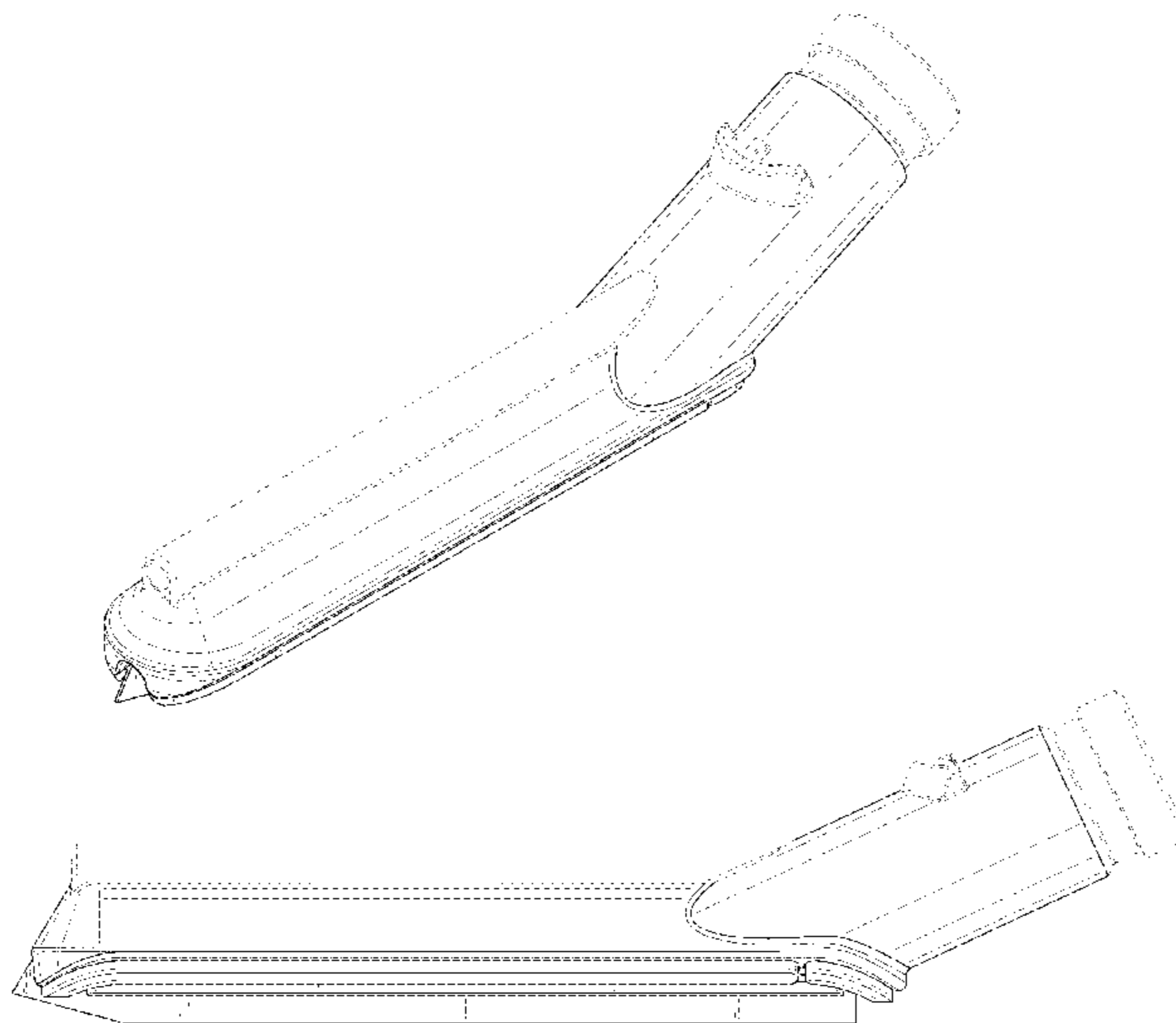
(57) **CLAIM**

We claim the ornamental design for a tool for a vacuum cleaner, as shown and described.

**DESCRIPTION**

FIG. 1 is a perspective view of a tool for a vacuum cleaner showing our new design;  
FIG. 2 is a front view thereof;  
FIG. 3 is a rear view thereof;  
FIG. 4 is a side view thereof;  
FIG. 5 is a side view of the opposite side of FIG. 4;  
FIG. 6 is a top view thereof; and,  
FIG. 7 is a bottom view thereof.  
The details shown in broken lines form no part of the claimed design.

**1 Claim, 5 Drawing Sheets**



(56)

**References Cited**

OTHER PUBLICATIONS

Ventress et al., U.S. Office Action mailed Dec. 10, 2015, directed to U.S. Appl. No. 29/498,684; 7 pages.

Ventress et al., U.S. Office Action mailed Dec. 10, 2015, directed to U.S. Appl. No. 29/498,671; 7 pages.

Ventress et al., U.S. Office Action mailed Dec. 11, 2015, directed to U.S. Appl. No. 29/498,672; 7 pages.

Ventress et al., U.S. Office Action mailed Dec. 14, 2015, directed to U.S. Appl. No. 29/498,674; 7 pages.

\* cited by examiner

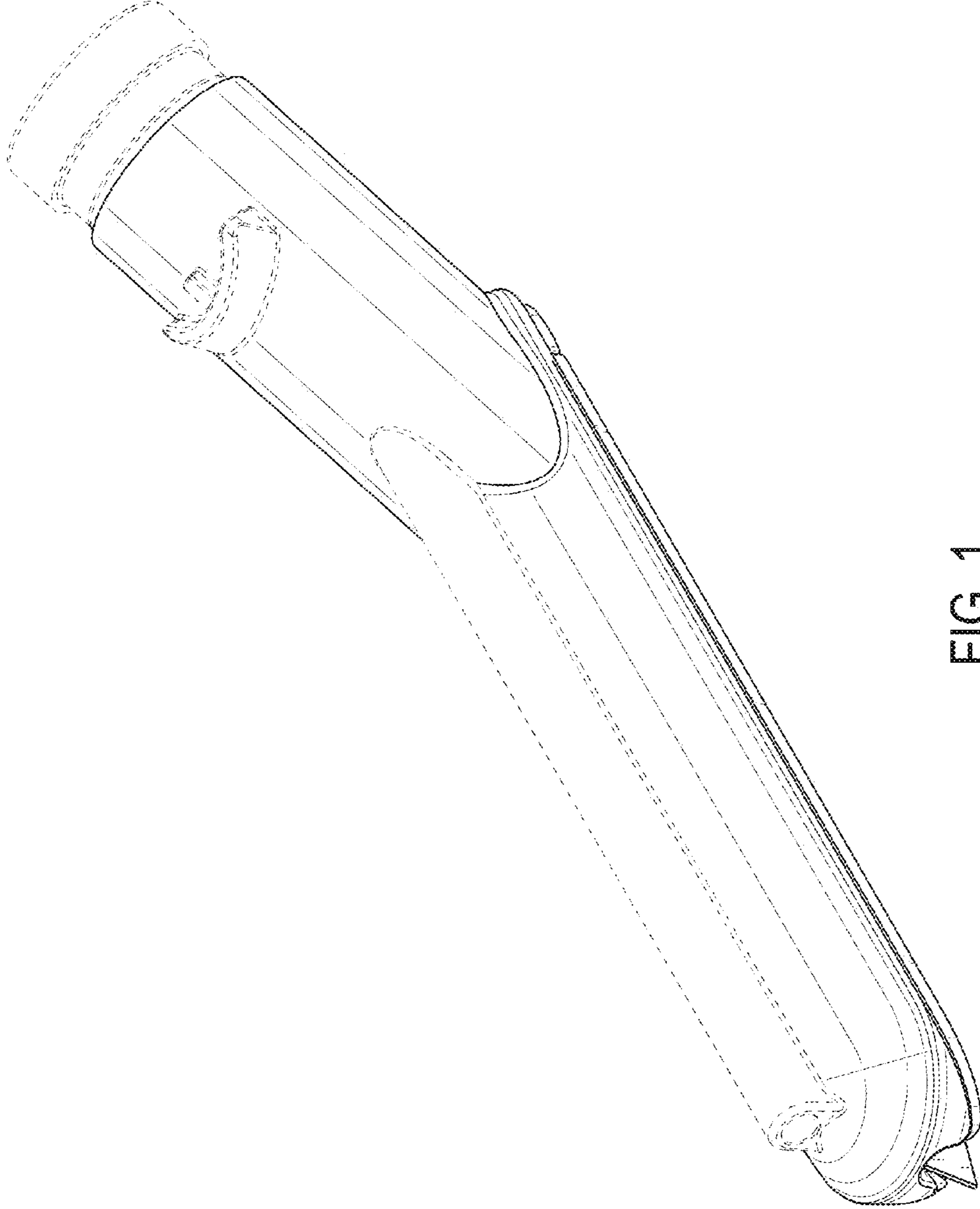


FIG. 1

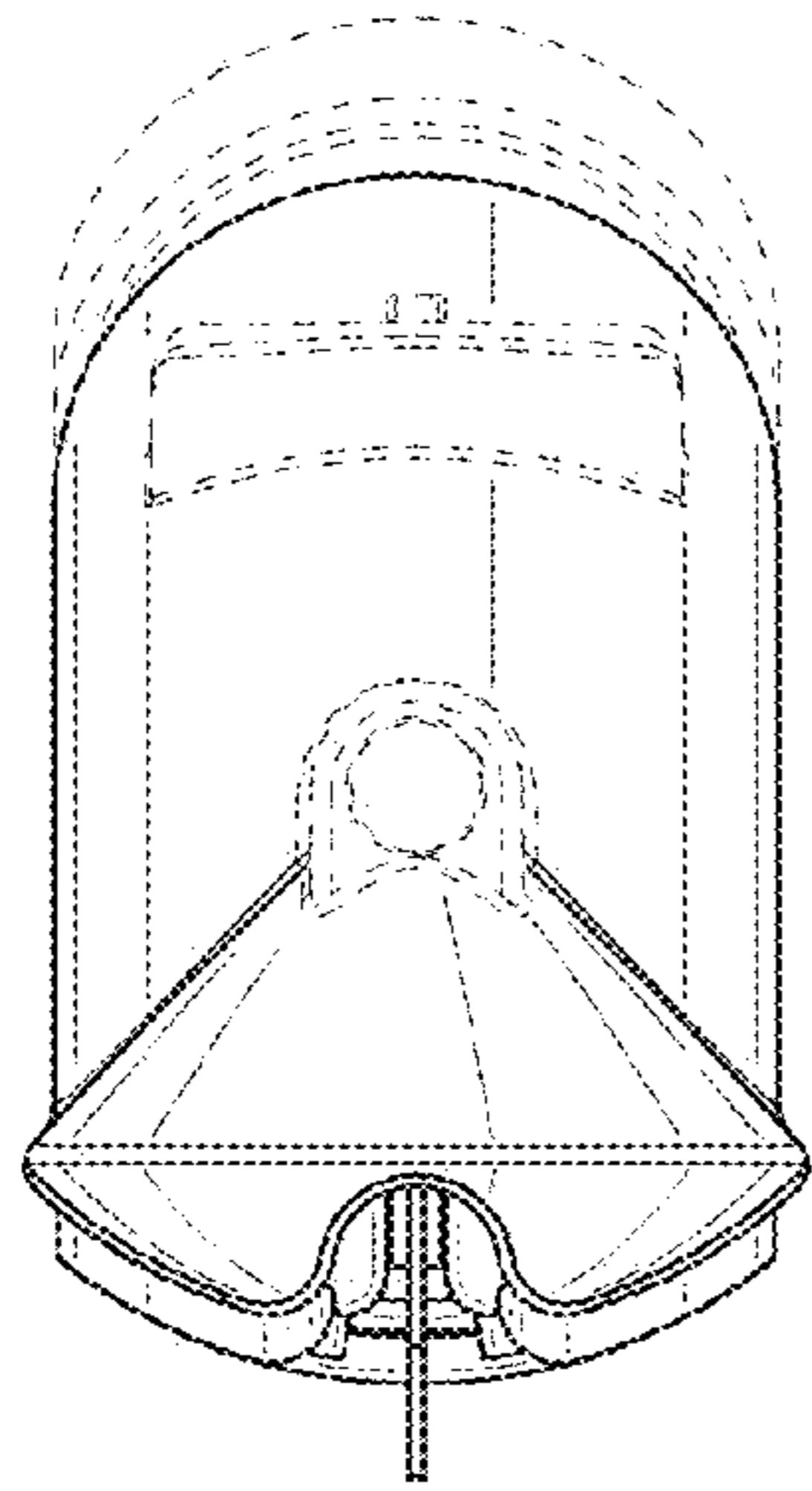


FIG. 2

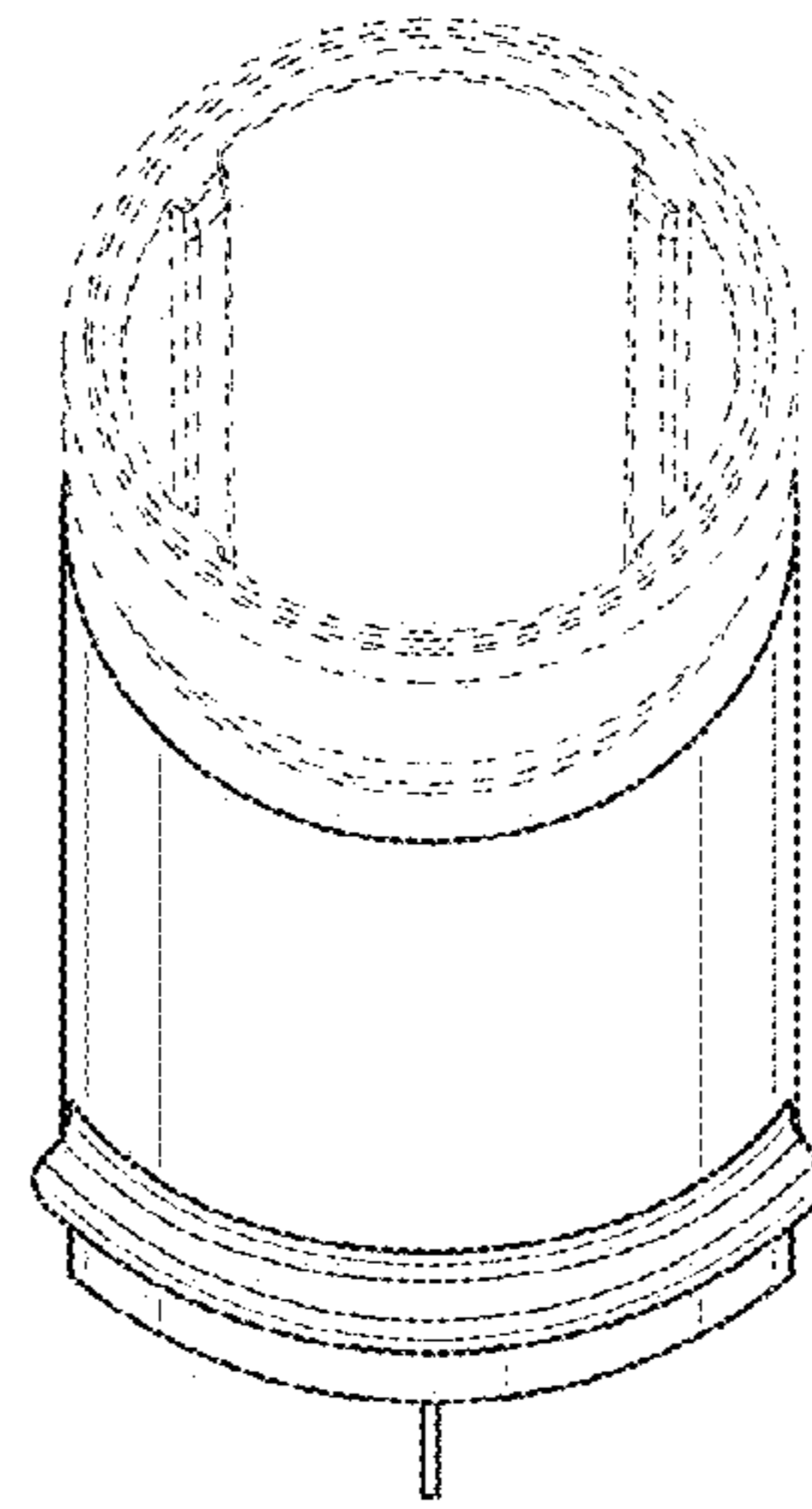


FIG. 3

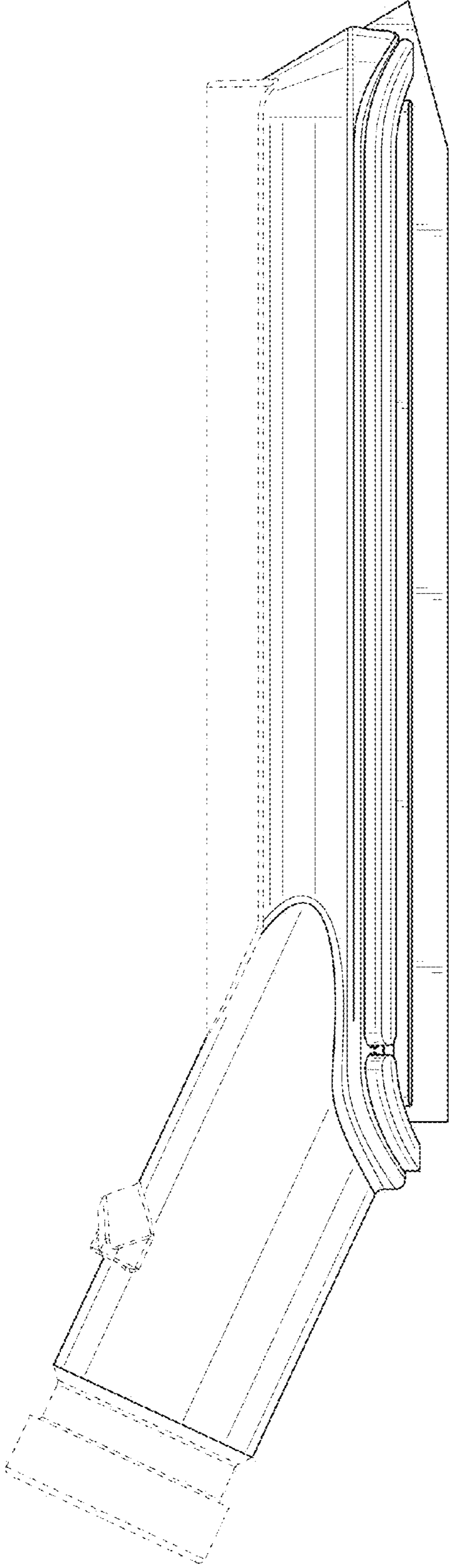


FIG. 4



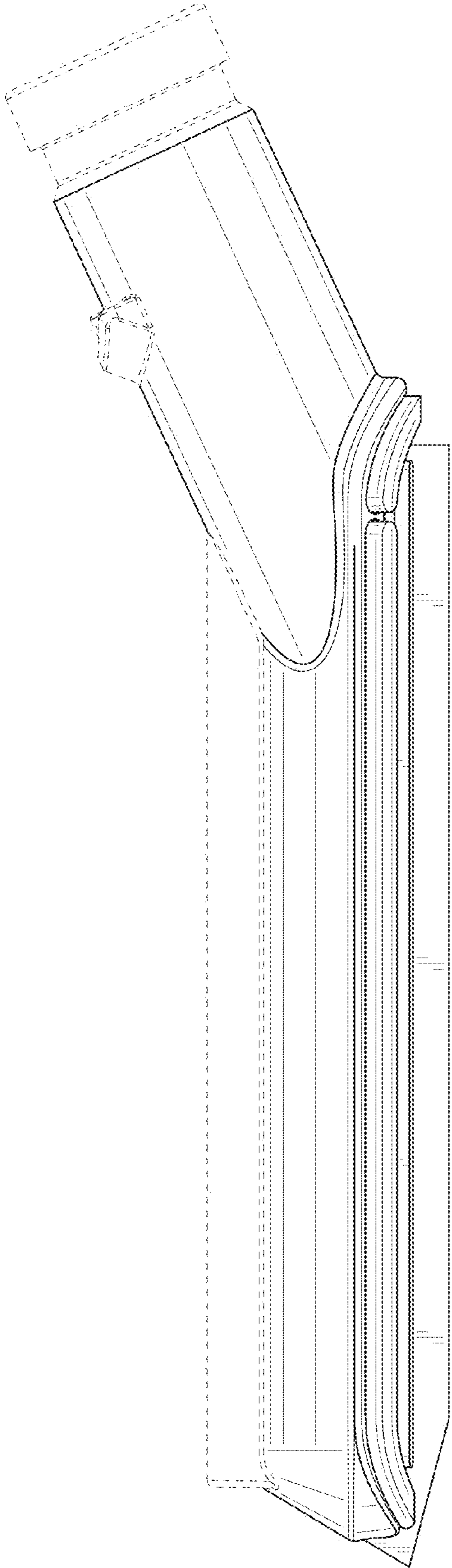


FIG. 5

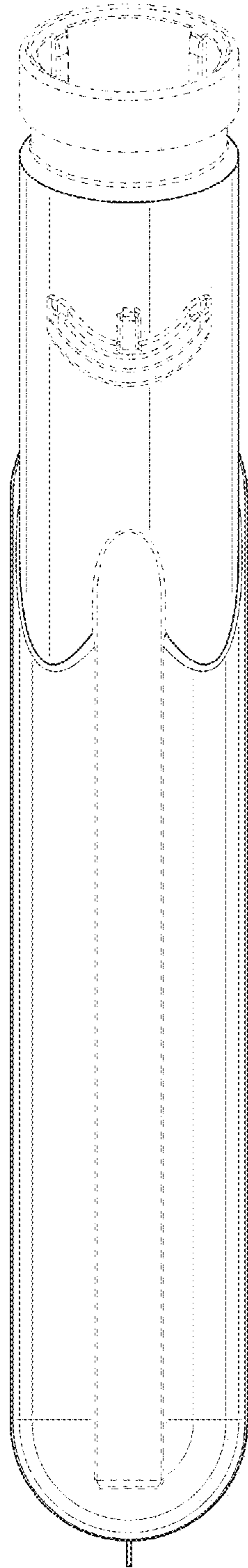


FIG. 6

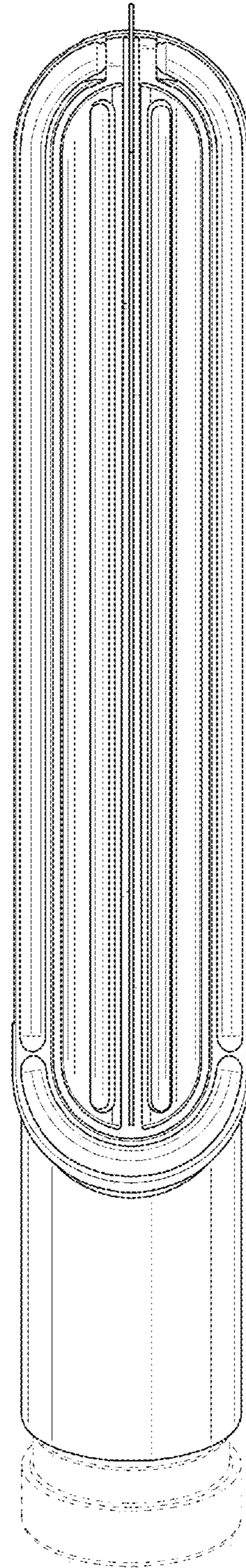


FIG. 7