

US00D760968S

(12) **United States Design Patent**  
**Choi et al.**

(10) **Patent No.:** **US D760,968 S**  
(45) **Date of Patent:** **\*\* Jul. 5, 2016**

- (54) **DRYER**
- (71) Applicant: **Samsung Electronics Co., Ltd.**,  
Suwon-si, Gyeonggi-do (KR)
- (72) Inventors: **Hyoung-Sub Choi**, Goyang-si (KR);  
**Deok-Sang Yun**, Ansan-si (KR)
- (73) Assignee: **SAMSUNG ELECTRONICS CO., LTD.** (KR)
- (\*\*) Term: **15 Years**
- (21) Appl. No.: **29/530,940**
- (22) Filed: **Jun. 22, 2015**

D465,307 S *	11/2002	Du	.....	D32/6
D470,632 S *	2/2003	Oda	.....	D32/6
D479,373 S *	9/2003	Silva	.....	D32/25
D481,499 S *	10/2003	Moreira da Silva	.....	D32/25
D492,073 S *	6/2004	Sneddon	.....	D32/6
D516,258 S *	2/2006	Matsusaki	.....	D32/1
D519,692 S *	4/2006	Jun	.....	D32/6
D521,197 S *	5/2006	Kim	.....	D32/8
D537,991 S *	3/2007	Jun	.....	D32/6
D547,915 S *	7/2007	Jun	.....	D32/6
D557,466 S *	12/2007	Suh	.....	D32/6
D583,114 S *	12/2008	Jeon	.....	D32/8
D642,753 S *	8/2011	Ha	.....	D32/6
D658,340 S *	4/2012	Jeon	.....	D32/6
D663,907 S *	7/2012	Jeon	.....	D32/6
D663,908 S *	7/2012	Jeon	.....	D32/6

(Continued)

- (30) **Foreign Application Priority Data**  
Dec. 22, 2014 (KR) ..... 30-2014-0062387
- (51) **LOC (10) Cl.** ..... **15-05**
- (52) **U.S. Cl.**  
USPC ..... **D32/8**
- (58) **Field of Classification Search**  
USPC ..... D32/6, 8, 1, 25, 5; D7/340, 405  
CPC ..... D06F 58/00; D06F 58/02; D06F 58/04;  
D06F 58/20  
See application file for complete search history.

**FOREIGN PATENT DOCUMENTS**

CN	300928609	5/2009
CN	301394096 S	11/2010

(Continued)

*Primary Examiner* — T. Chase Nelson  
*Assistant Examiner* — Michelle E Wilson  
 (74) *Attorney, Agent, or Firm* — Cantor Colburn LLP

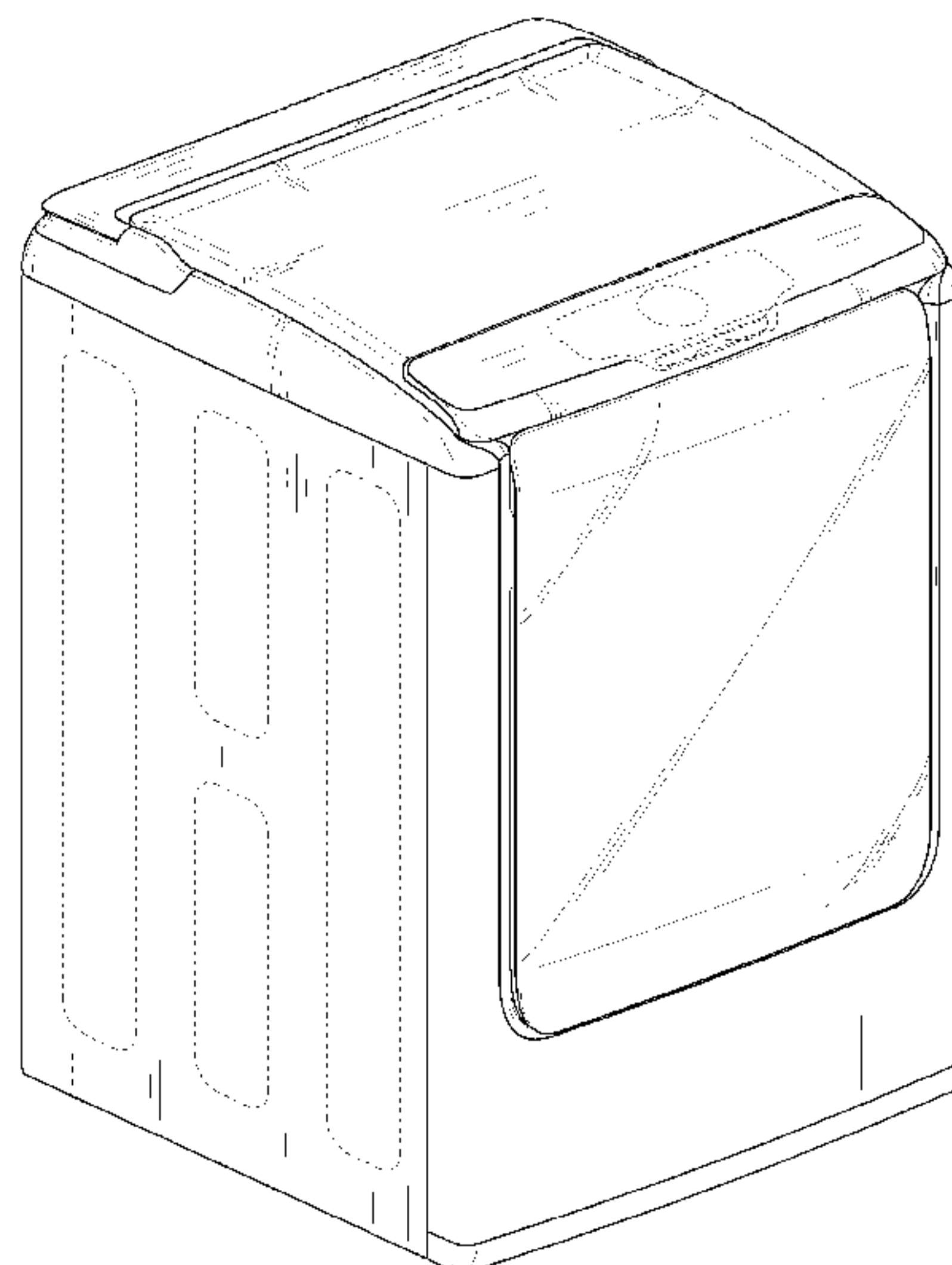
(57) **CLAIM**  
 The ornamental design for a dryer, as shown and described.

**DESCRIPTION**

FIG. 1 is a perspective view of a dryer, showing our new design;  
 FIG. 2 is a front view thereof;  
 FIG. 3 is a rear view thereof;  
 FIG. 4 is a side view thereof;  
 FIG. 5 is another side view thereof;  
 FIG. 6 is a top view thereof; and,  
 FIG. 7 is a bottom view thereof.  
 The broken lines in the figures are for environmental purposes only and form no part of the claimed design.

**1 Claim, 7 Drawing Sheets**

- (56) **References Cited**  
U.S. PATENT DOCUMENTS  
2,416,405 A \* 2/1947 Purpura ..... D06F 58/02  
34/134  
D170,350 S \* 9/1953 Bourner ..... D32/8  
4,631,934 A \* 12/1986 Imanishi ..... D06F 23/04  
68/154  
D289,212 S \* 4/1987 Nakamura ..... D32/6  
D300,279 S \* 3/1989 Umehara ..... D32/6  
D313,679 S \* 1/1991 Sakamoto ..... D32/6  
5,783,918 A \* 7/1998 Choi ..... G05B 19/042  
312/319.5  
D422,387 S \* 4/2000 Mutoh ..... D32/25



(56)

**References Cited**

**FOREIGN PATENT DOCUMENTS**

**U.S. PATENT DOCUMENTS**

D664,313 S \* 7/2012 Chung ..... D32/6  
D703,887 S \* 4/2014 Lee ..... D32/8  
D729,467 S \* 5/2015 Jee ..... D32/6  
D730,597 S \* 5/2015 Jeon ..... D32/8  
D738,582 S \* 9/2015 Chung ..... D32/6

CN 301617600 S 7/2011  
CN 301617602 S 7/2011  
JP 1223419 S 11/2004

\* cited by examiner

FIG. 1

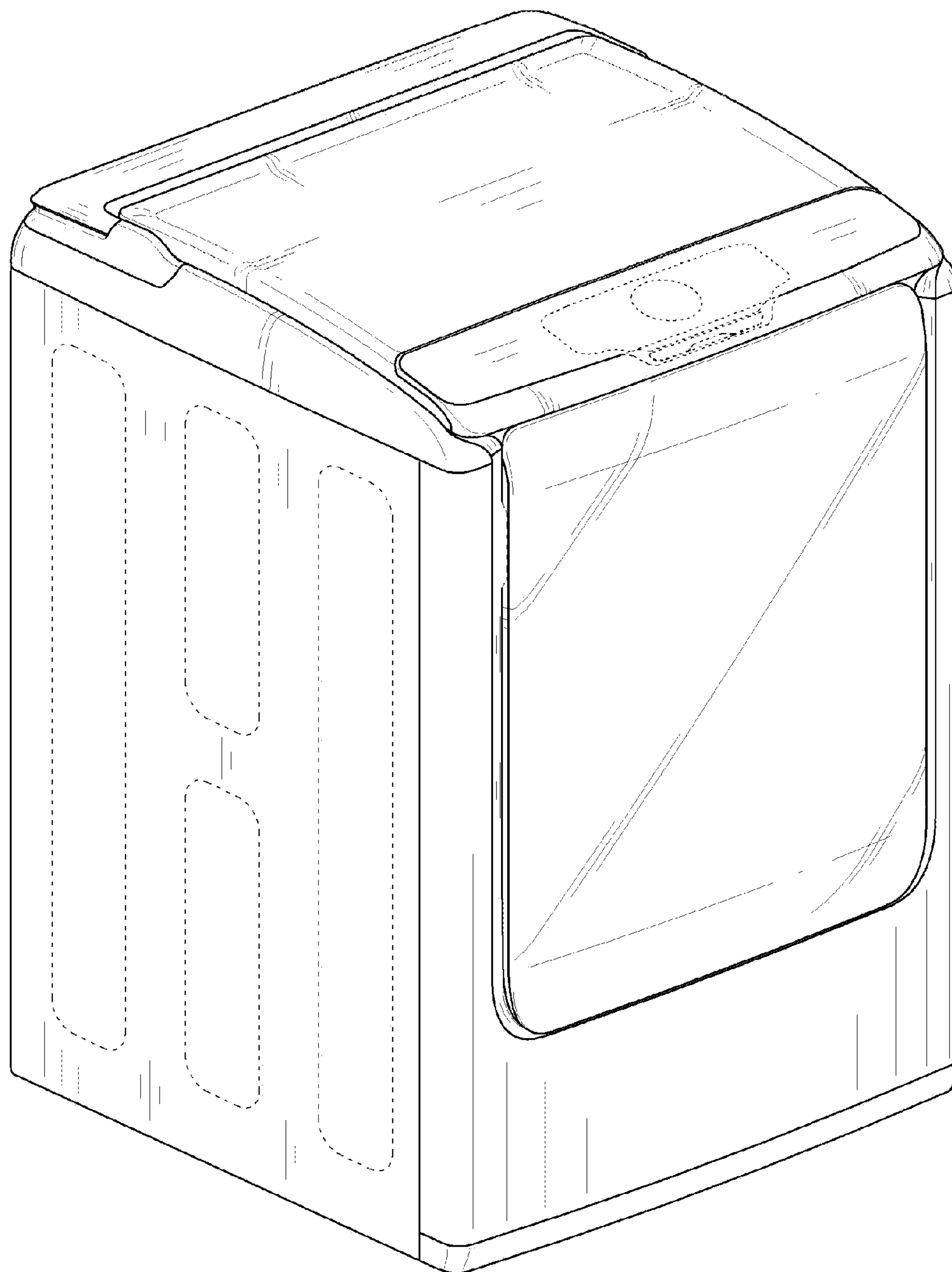


FIG. 2

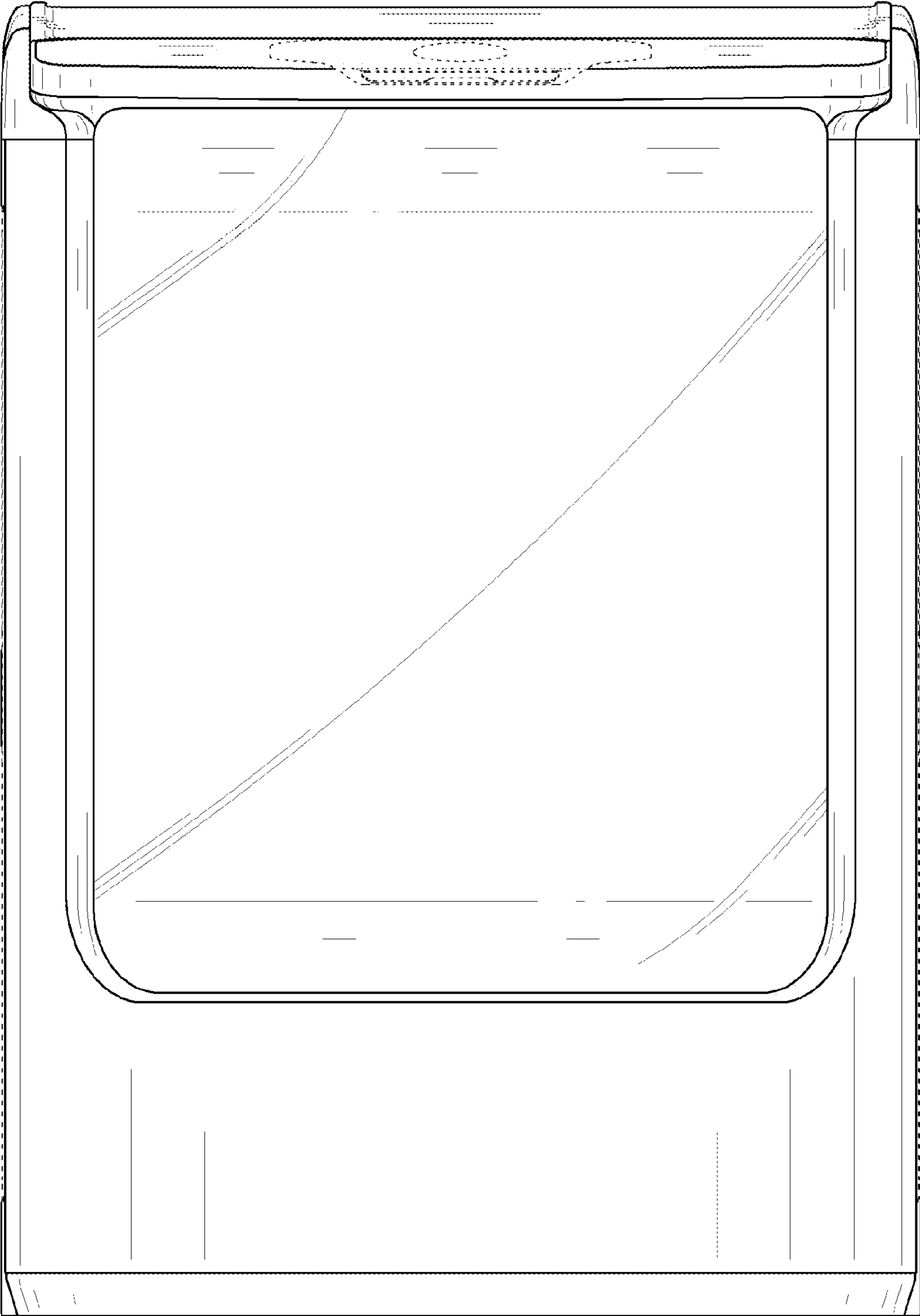


FIG. 3

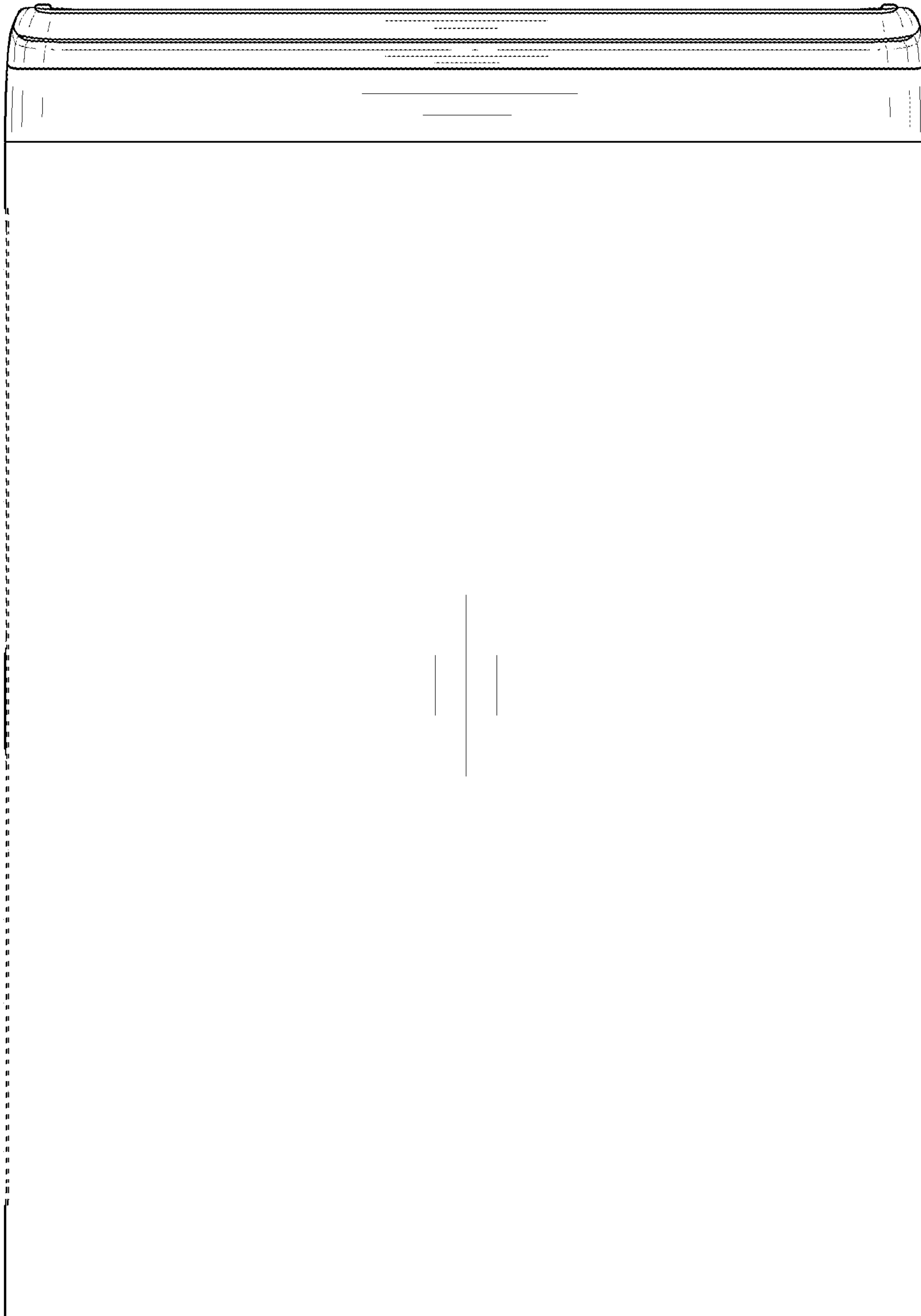


FIG. 4

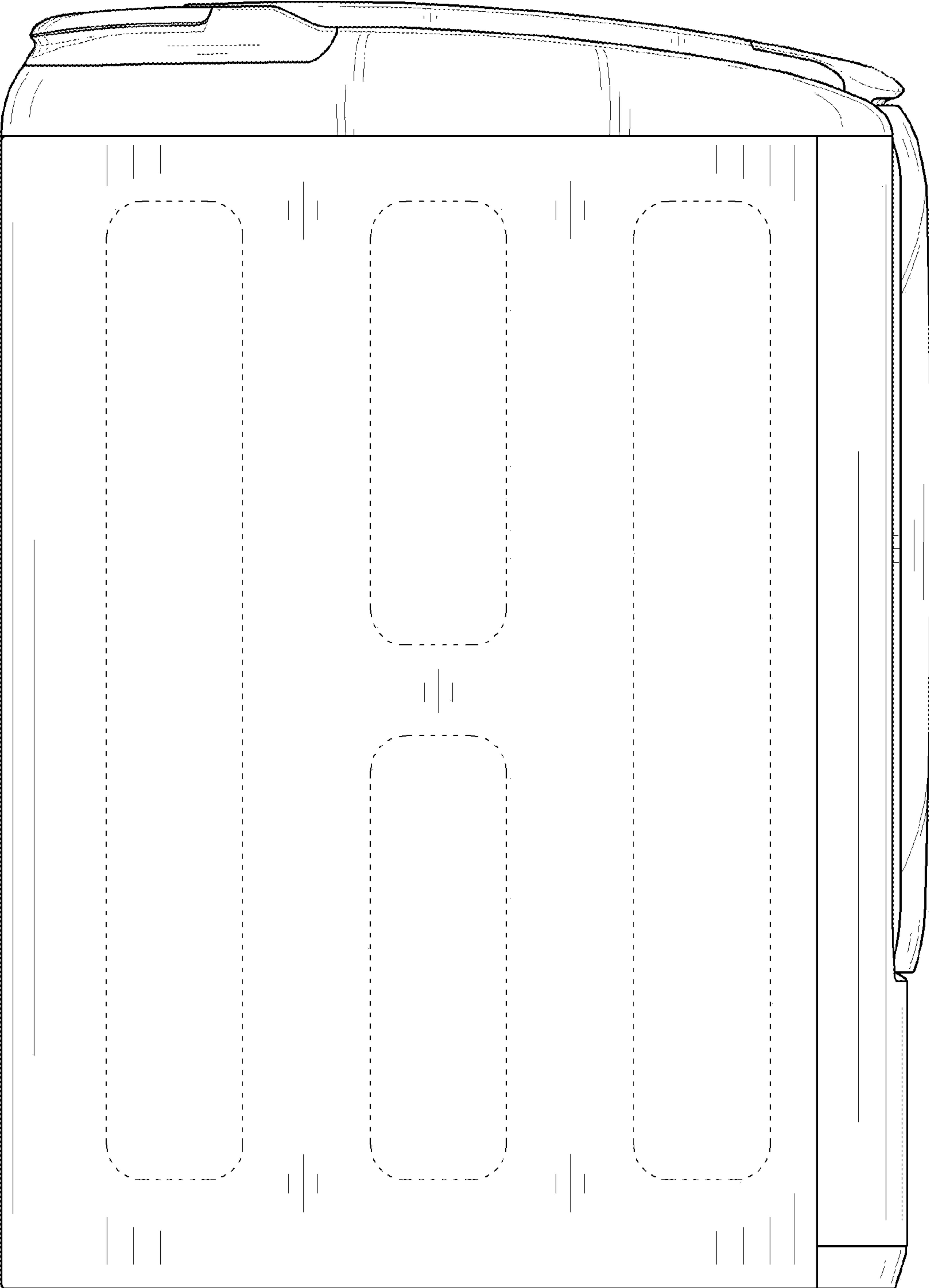


FIG. 5

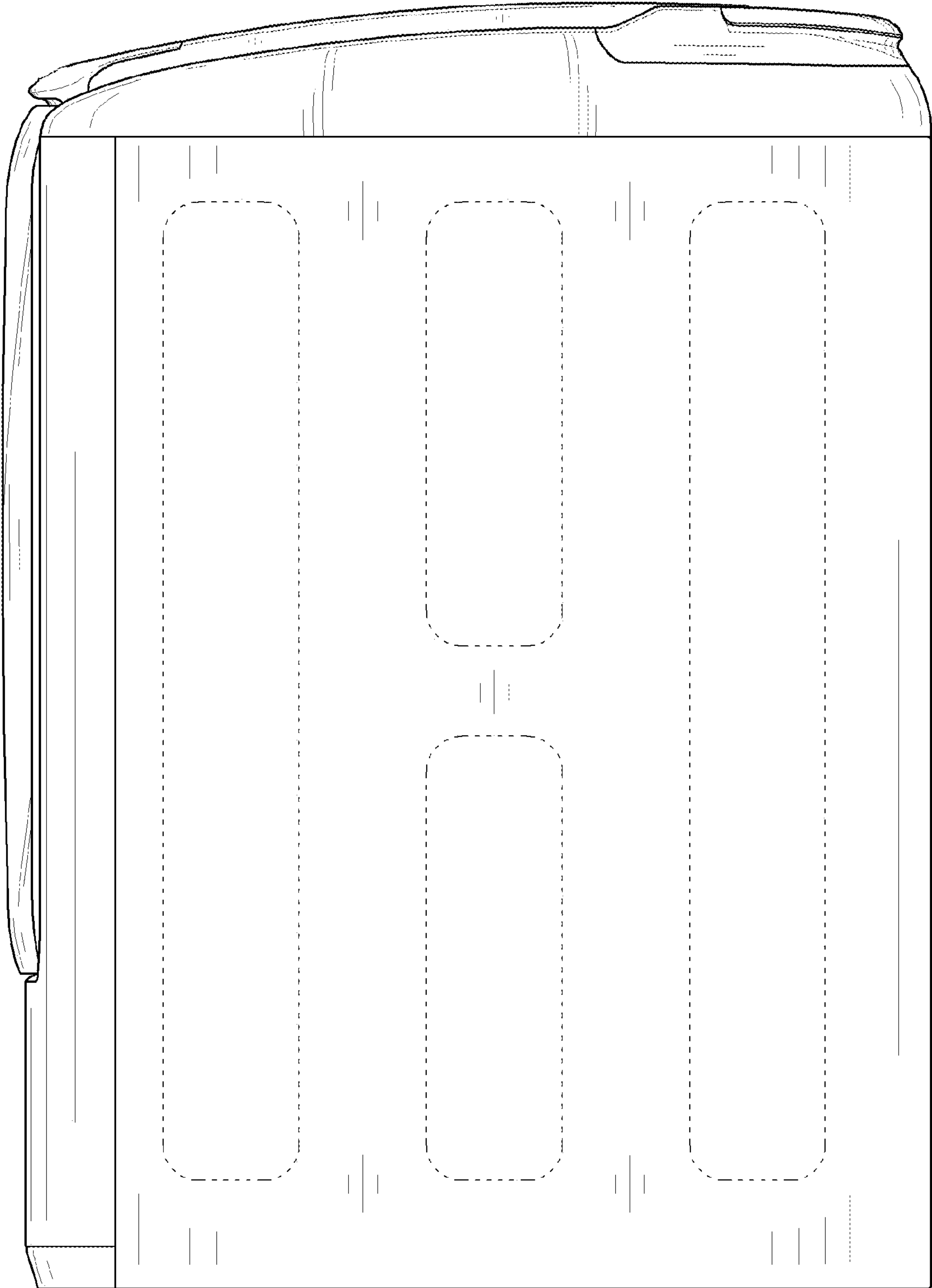


FIG. 6

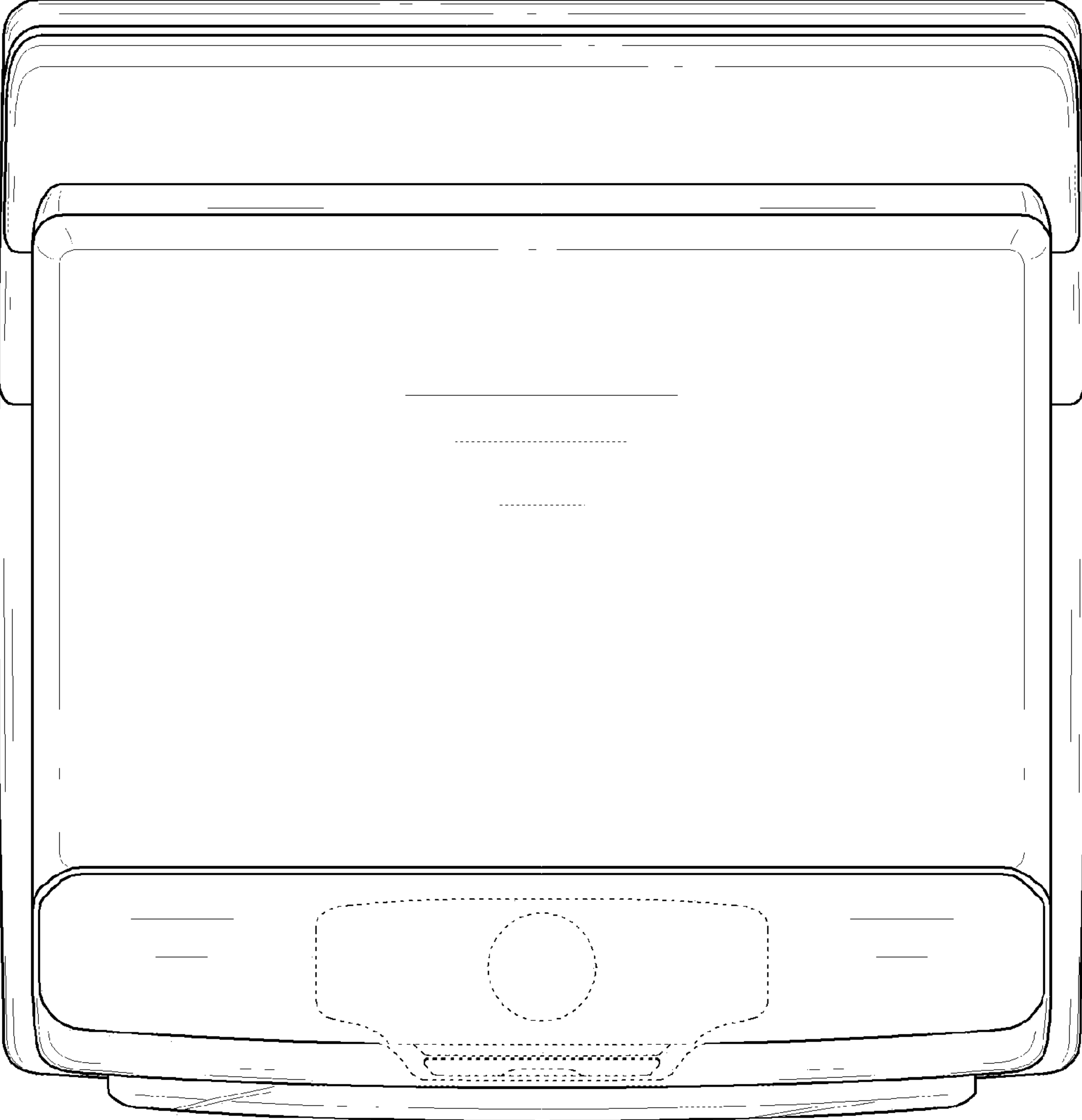




FIG. 7

