



US00D760967S

(12) **United States Design Patent**  
**Joo et al.**

(10) **Patent No.:** **US D760,967 S**  
(45) **Date of Patent:** **\*\* Jul. 5, 2016**

(54) **WASHING MACHINE**

(71) Applicant: **Samsung Electronics Co., Ltd.**,  
Suwon-si, Gyeonggi-do (KR)

(72) Inventors: **Ah-Jung Joo**, Seoul (KR); **Jung-Eun Park**, Seoul (KR)

(73) Assignee: **SAMSUNG ELECTRONICS CO., LTD.** (KR)

(\*\*) Term: **15 Years**

(21) Appl. No.: **29/533,772**

(22) Filed: **Jul. 22, 2015**

D503,835	S	*	4/2005	Oda	.....	D32/6
D516,258	S	*	2/2006	Matsusaki	.....	D32/1
D519,692	S	*	4/2006	Jun	.....	D32/6
7,073,356	B2	*	7/2006	Nakamura	.....	D06F 37/10 68/12.26
D541,491	S	*	4/2007	Jun	.....	D32/6
D597,712	S	*	8/2009	Jeon	.....	D32/6
D599,509	S	*	9/2009	Jeon	.....	D32/6
D704,907	S	*	5/2014	Yoo	.....	D32/6
D709,657	S	*	7/2014	Shin	.....	D32/25
D711,605	S	*	8/2014	Jo	.....	D32/25
D729,467	S	*	5/2015	Jee	.....	D32/6
D732,762	S	*	6/2015	Joo	.....	D32/6
D733,372	S	*	6/2015	Song	.....	D32/6
D738,582	S	*	9/2015	Chung	.....	D32/6
D744,177	S	*	11/2015	Jung	.....	D32/6
D748,355	S	*	1/2016	Sim	.....	D32/6

\* cited by examiner

**Related U.S. Application Data**

(63) Continuation of application No. 29/530,867, filed on Jun. 19, 2015.

**Foreign Application Priority Data**

Dec. 24, 2014 (KR) ..... 30-2014-0063064

(51) **LOC (10) Cl.** ..... **15-05**

(52) **U.S. Cl.**  
USPC ..... **D32/6**

(58) **Field of Classification Search**  
USPC ..... D32/1, 5-6, 8, 25, 28, 29, 67  
CPC ... D06F 33/02; D06F 39/02; D06F 2204/065;  
D06F 25/00; D06F 35/006  
See application file for complete search history.

(56) **References Cited**

**U.S. PATENT DOCUMENTS**

D300,279	S	*	3/1989	Umehara	.....	D32/6
D313,679	S	*	1/1991	Sakamoto	.....	D32/6
5,469,593	A	*	11/1995	Cuthbert	.....	D06F 37/302 68/140
5,875,655	A	*	3/1999	Herman-Latack	....	D06F 39/026 222/166
D422,387	S	*	4/2000	Mutoh	.....	D32/25
D446,890	S	*	8/2001	Cho	.....	D32/6
D470,632	S	*	2/2003	Oda	.....	D32/6

*Primary Examiner* — T. Chase Nelson

*Assistant Examiner* — Michelle E Wilson

(74) *Attorney, Agent, or Firm* — Cantor Colburn LLP

(57) **CLAIM**

The ornamental design for a washing machine, as shown and described.

**DESCRIPTION**

FIG. 1 is a perspective view of a washing machine, showing our new design;  
FIG. 2 is a front view thereof;  
FIG. 3 is a rear view thereof;  
FIG. 4 is a left side view thereof;  
FIG. 5 is a right side view thereof;  
FIG. 6 is a top view thereof;  
FIG. 7 is a bottom view thereof;  
FIG. 8 is an enlarged partial view of the portion 8 in FIG. 1; and,  
FIG. 9 is an enlarged partial view of the portion 9 in FIG. 1. The broken lines in the figures are for environmental purposes only and form no part of the claimed design. The double dot-dash broken lines encircling enlargement portions of the design form no part of the claimed design.

**1 Claim, 9 Drawing Sheets**

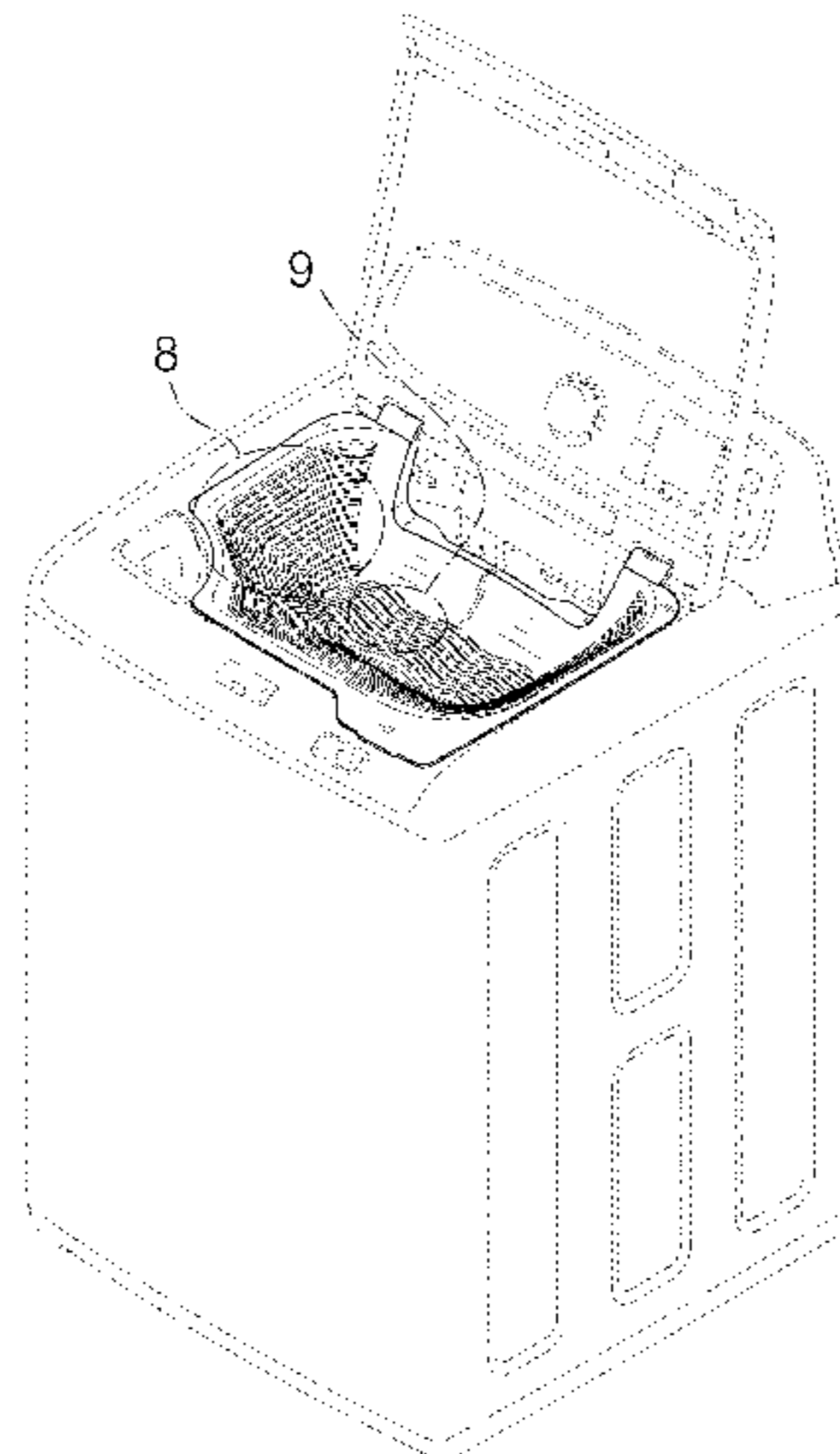


FIG. 1

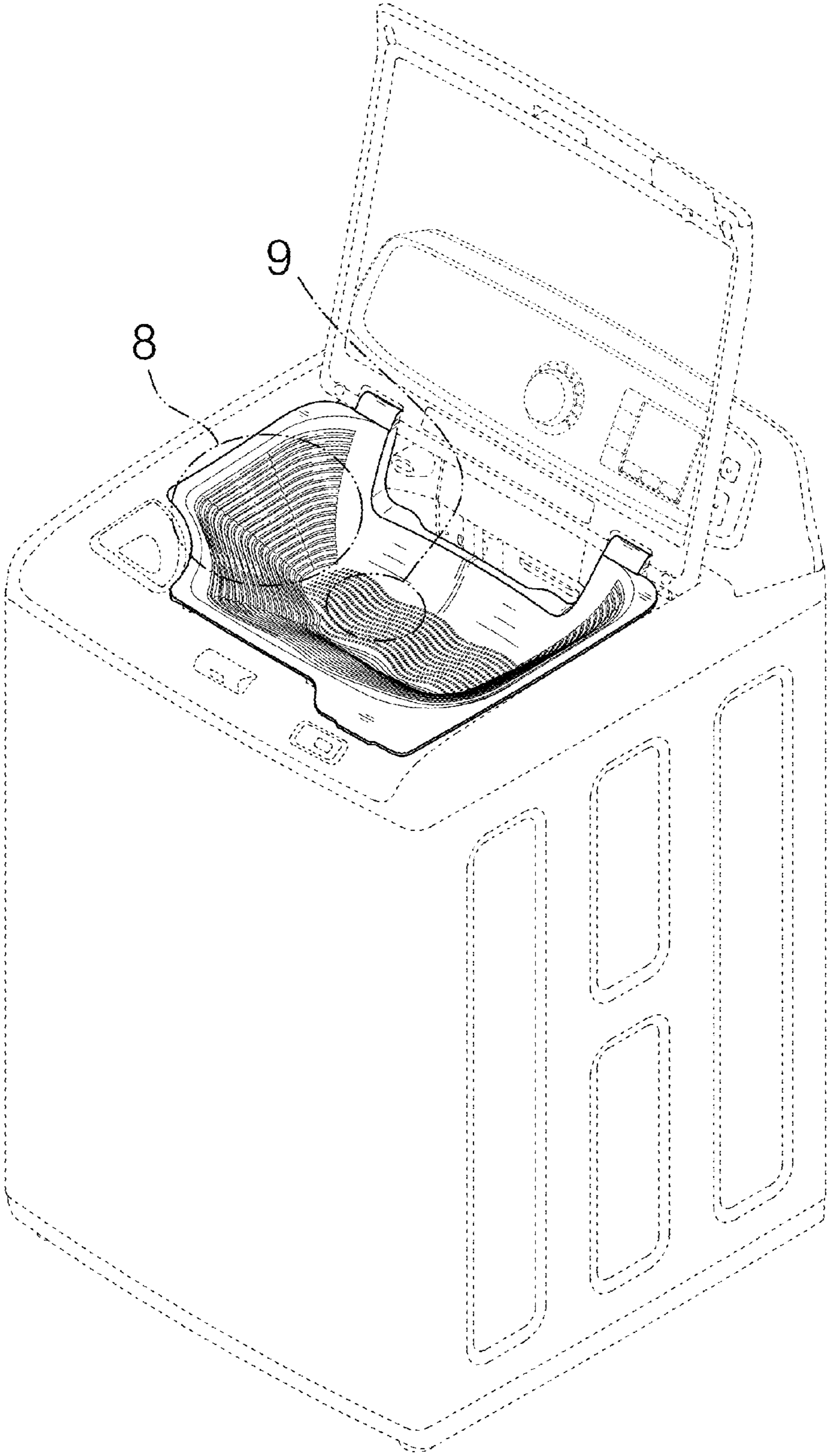


FIG. 2

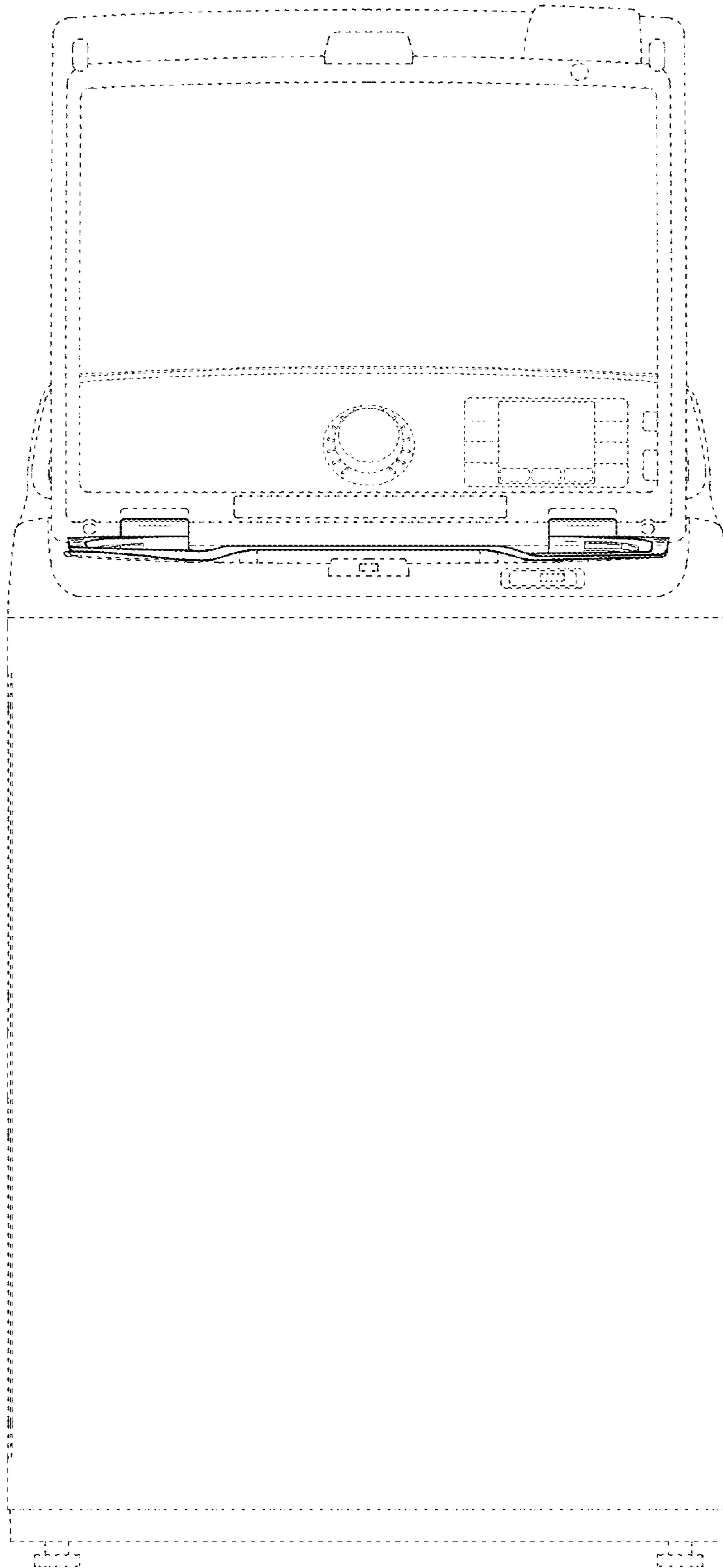


FIG. 3

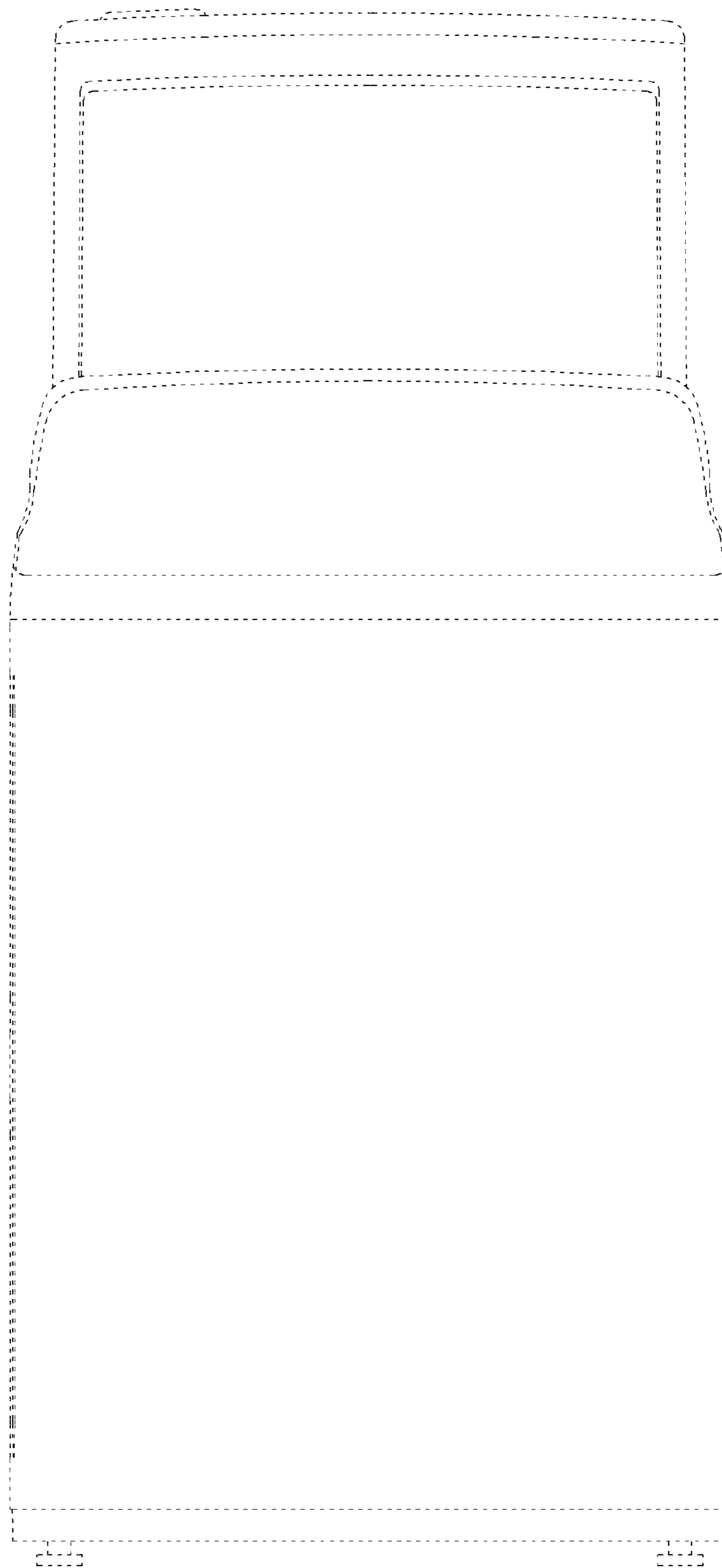


FIG. 4

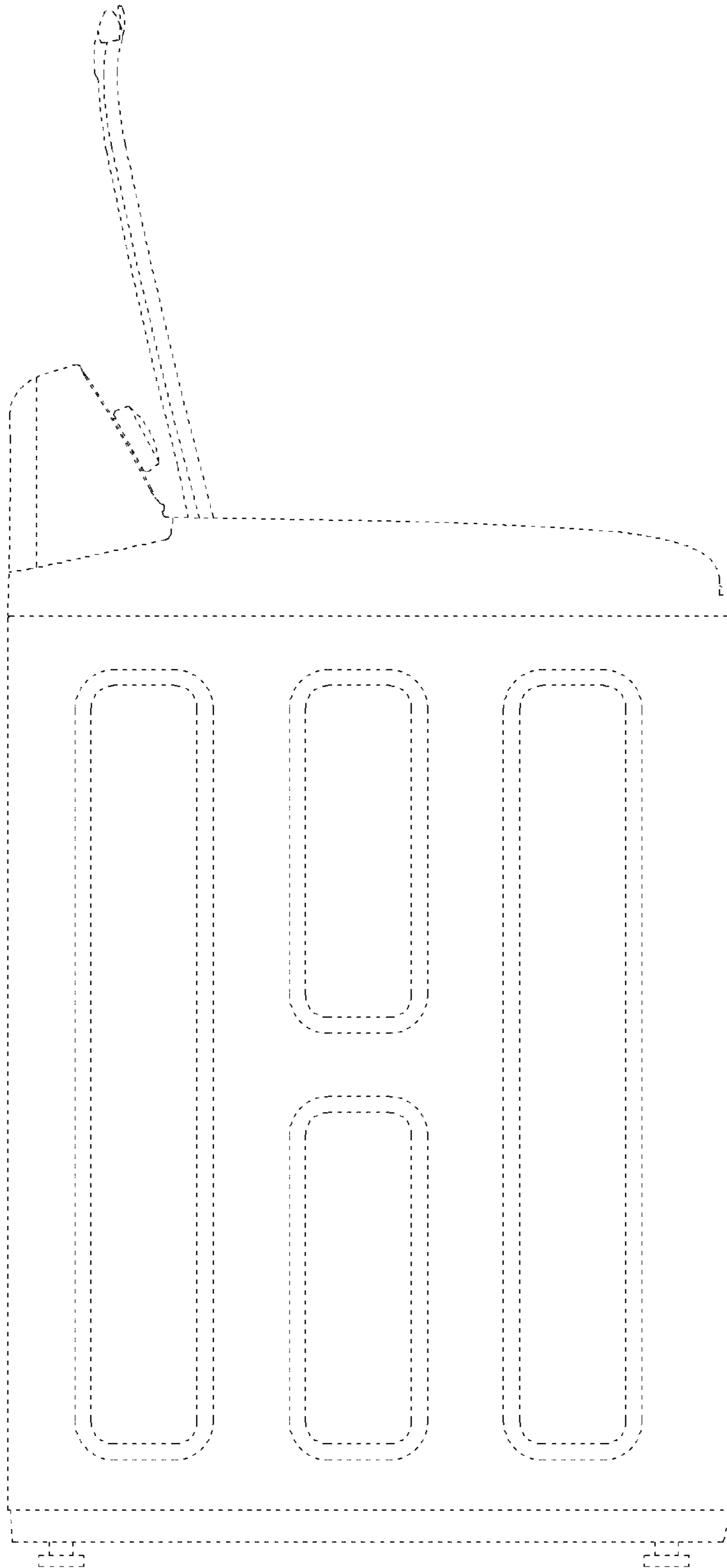


FIG. 5

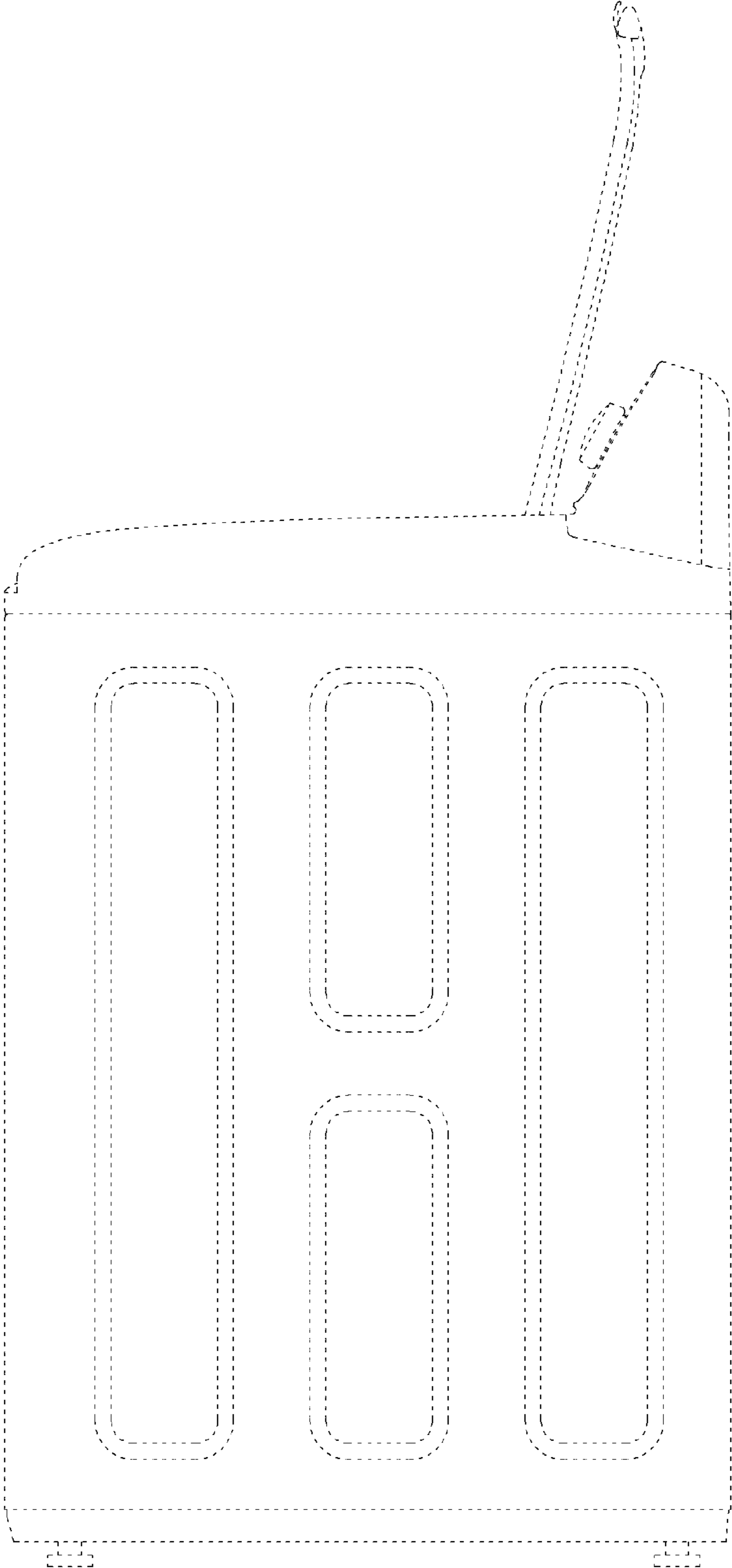


FIG. 6

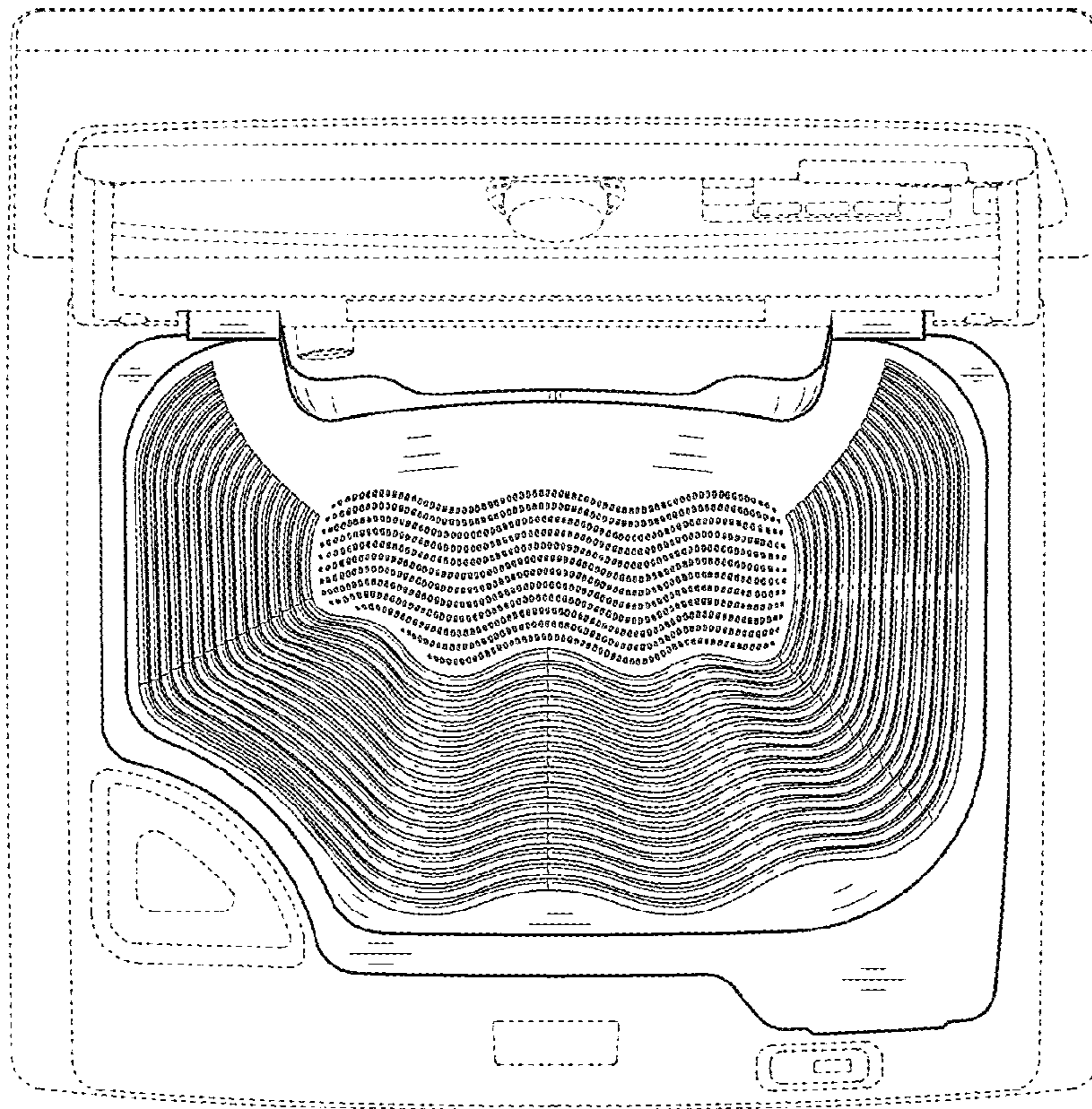


FIG. 7

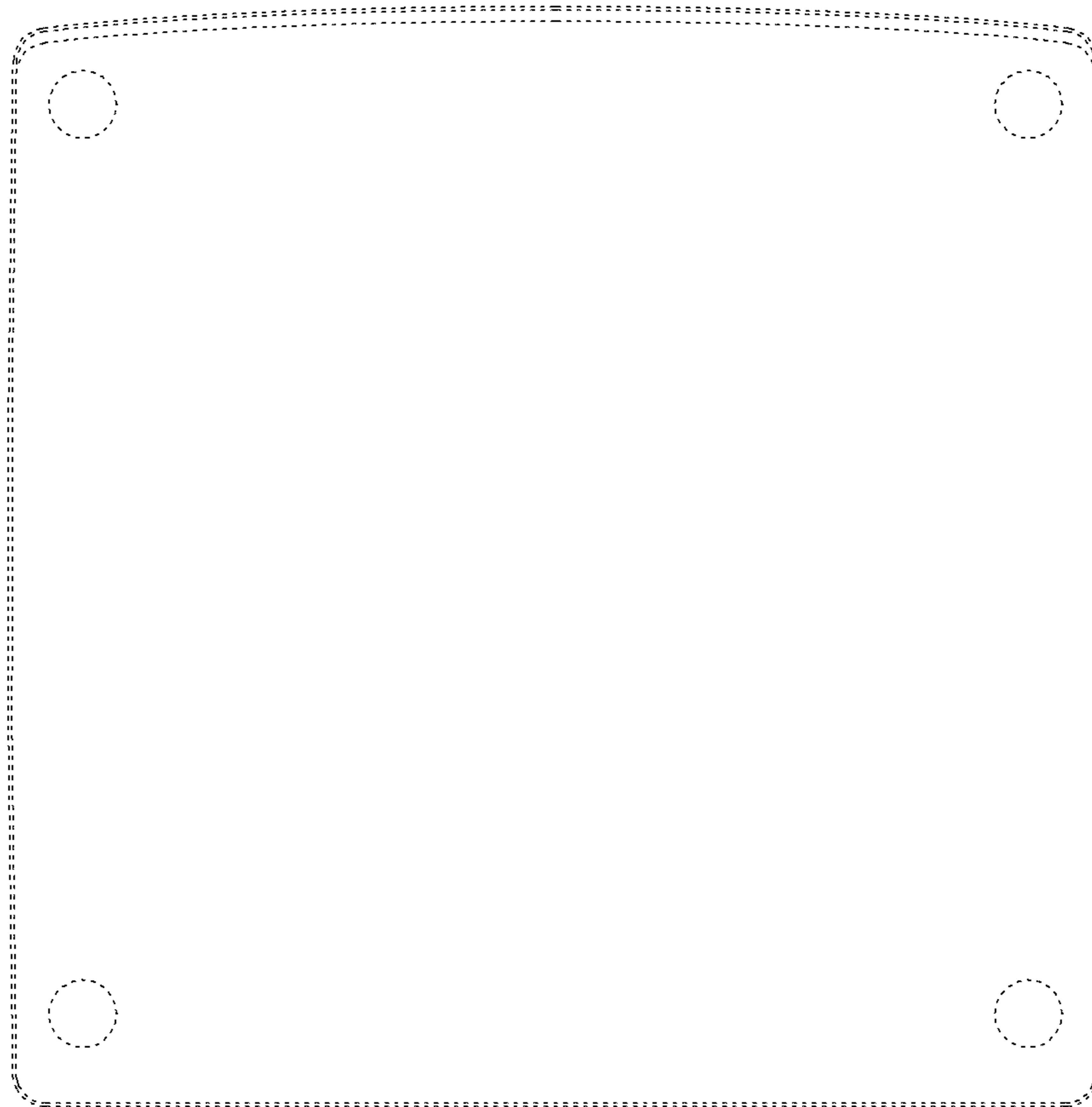




FIG. 8

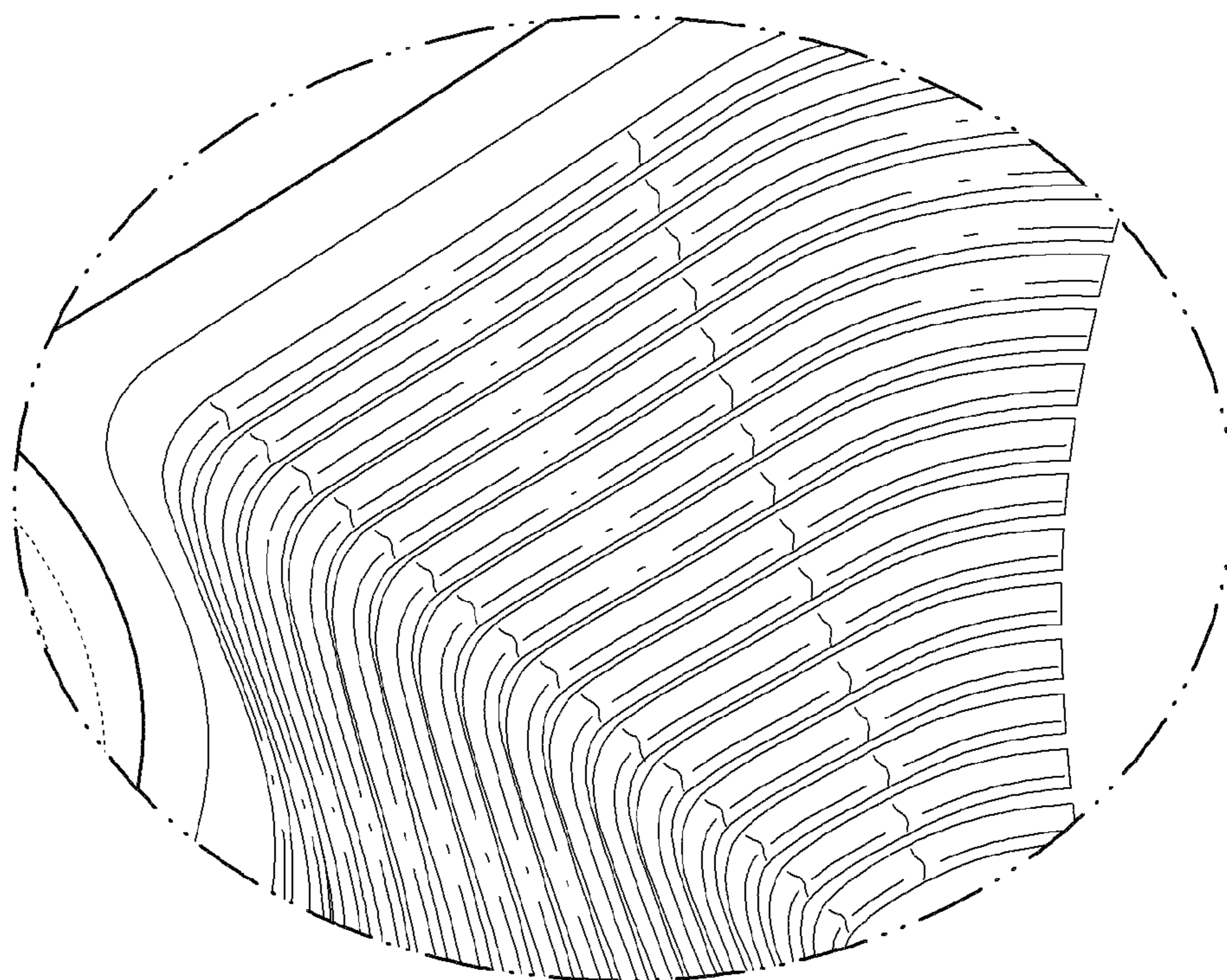


FIG. 9

