

US00D760966S

(12) **United States Design Patent**
Lee

(10) **Patent No.:** **US D760,966 S**
(45) **Date of Patent:** **** Jul. 5, 2016**

(54) **WASHING MACHINE**
(71) Applicant: **Samsung Electronics Co., Ltd.**,
Suwon-si (KR)
(72) Inventor: **Dae-Kyun Lee**, Suwon-si (KR)
(73) Assignee: **SAMSUNG ELECTRONICS CO., LTD.** (KR)
(**) Term: **15 Years**
(21) Appl. No.: **29/532,620**
(22) Filed: **Jul. 8, 2015**

(30) **Foreign Application Priority Data**
Jan. 22, 2015 (KR) 30-2015-0003482
(51) **LOC (10) Cl.** **15-05**
(52) **U.S. Cl.**
USPC **D32/6**
(58) **Field of Classification Search**
USPC D32/1, 5-6, 8, 25, 28, 29, 67
CPC ... D06F 33/02; D06F 39/02; D06F 2204/065;
D06F 25/00; D06F 35/006
See application file for complete search history.

(56) **References Cited**
U.S. PATENT DOCUMENTS
D300,279 S * 3/1989 Umehara D32/6
D313,679 S * 1/1991 Sakamoto D32/6
5,469,593 A * 11/1995 Cuthbert D06F 37/302
68/140
5,875,655 A * 3/1999 Herman-Latack D06F 39/026
222/166
D422,387 S * 4/2000 Mutoh D32/25
D446,890 S * 8/2001 Cho D32/6
D470,632 S * 2/2003 Oda D32/6
D503,835 S * 4/2005 Oda D32/6
D516,258 S * 2/2006 Matsusaki D32/1
D519,692 S * 4/2006 Jun D32/6

7,073,356 B2 * 7/2006 Nakamura D06F 37/10
68/12.26
D541,491 S * 4/2007 Jun D32/6
D597,712 S * 8/2009 Jeon D32/6
D599,509 S * 9/2009 Jeon D32/6
D704,907 S * 5/2014 Yoo D32/6
D709,657 S * 7/2014 Shin D32/25
D711,605 S * 8/2014 Jo D32/25
D729,467 S * 5/2015 Jee D32/6
D732,762 S * 6/2015 Joo D32/6
D733,372 S * 6/2015 Song D32/6
D738,582 S * 9/2015 Chung D32/6
D744,177 S * 11/2015 Jung D32/6
D748,355 S * 1/2016 Sim D32/6

* cited by examiner

Primary Examiner — T. Chase Nelson
Assistant Examiner — Michelle E Wilson
(74) *Attorney, Agent, or Firm* — Cantor Colburn LLP

(57) **CLAIM**
The ornamental design for a washing machine, as shown and described.

DESCRIPTION

FIG. 1 is a perspective view of a washing machine, showing my new design;
FIG. 2 is a front view thereof;
FIG. 3 is a rear view thereof;
FIG. 4 is a side view thereof;
FIG. 5 is another side view thereof;
FIG. 6 is a top view thereof;
FIG. 7 is a bottom view thereof; and,
FIG. 8 is another perspective view thereof in an alternate configuration.
The broken lines illustrating portions of the washing machine form no part of the claimed design.
The double dot-dash broken lines in the figures represent an unclaimed boundary line and form no part of the claimed design.

1 Claim, 8 Drawing Sheets

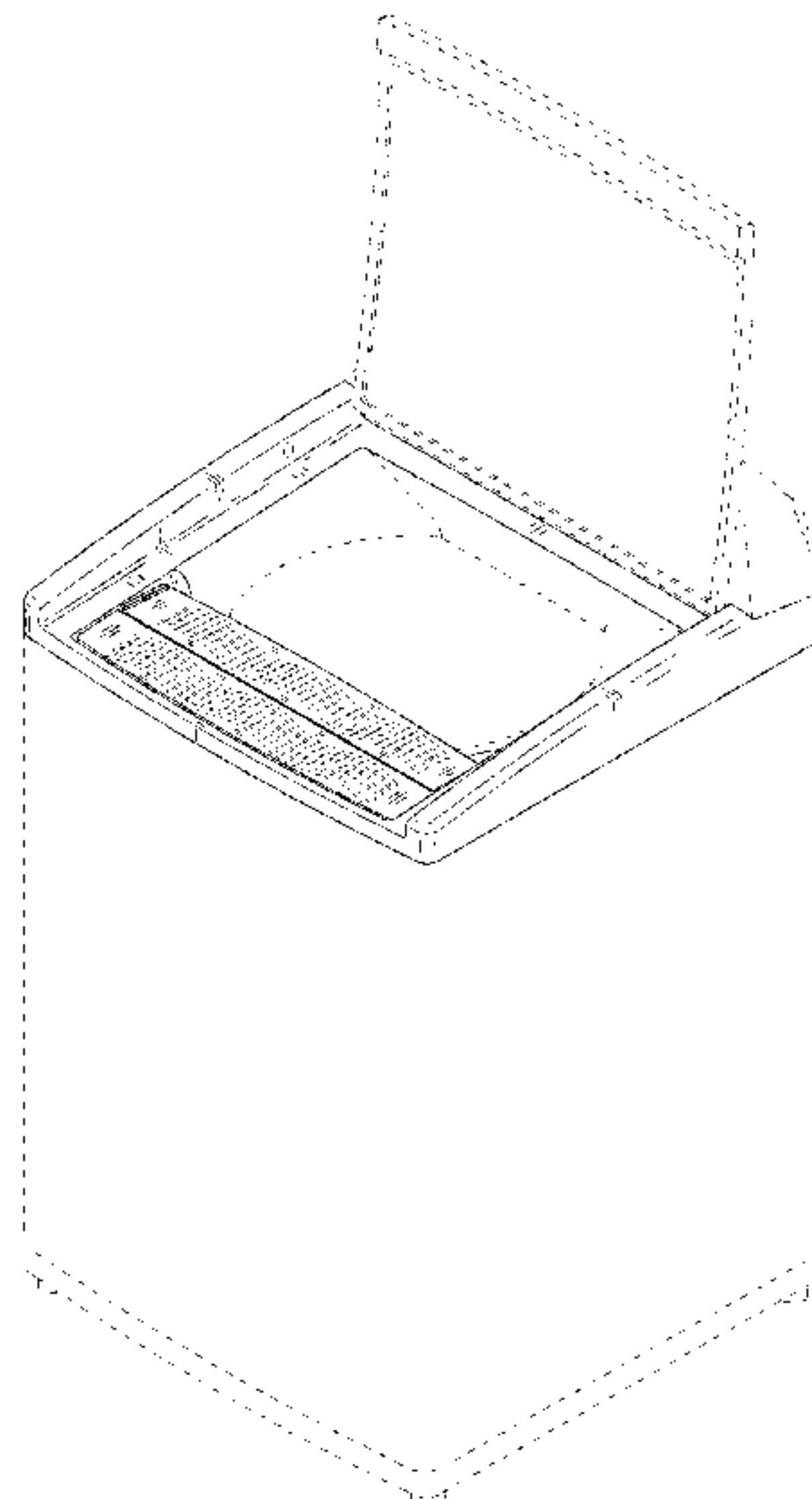


FIG. 1

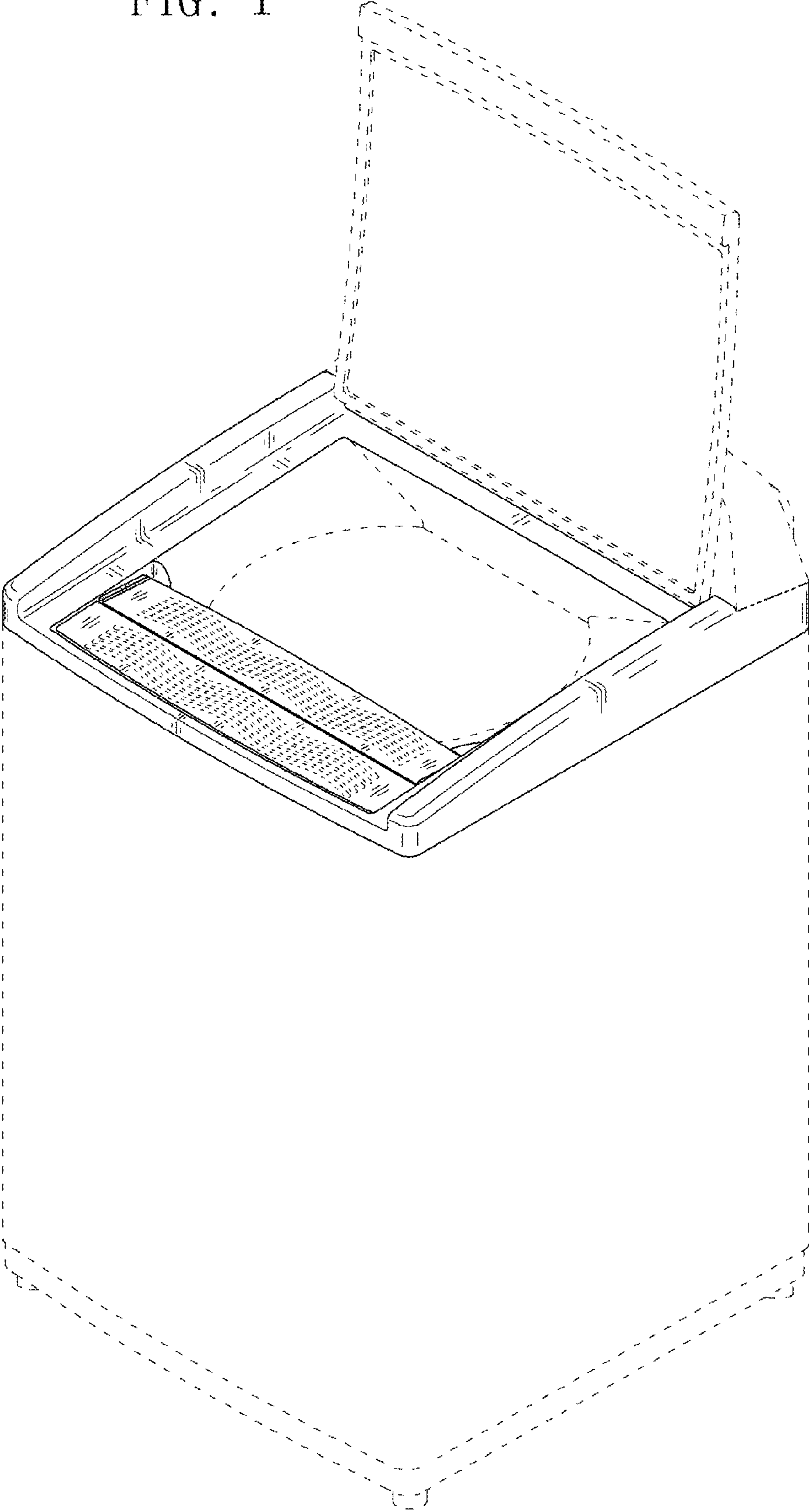


FIG. 2

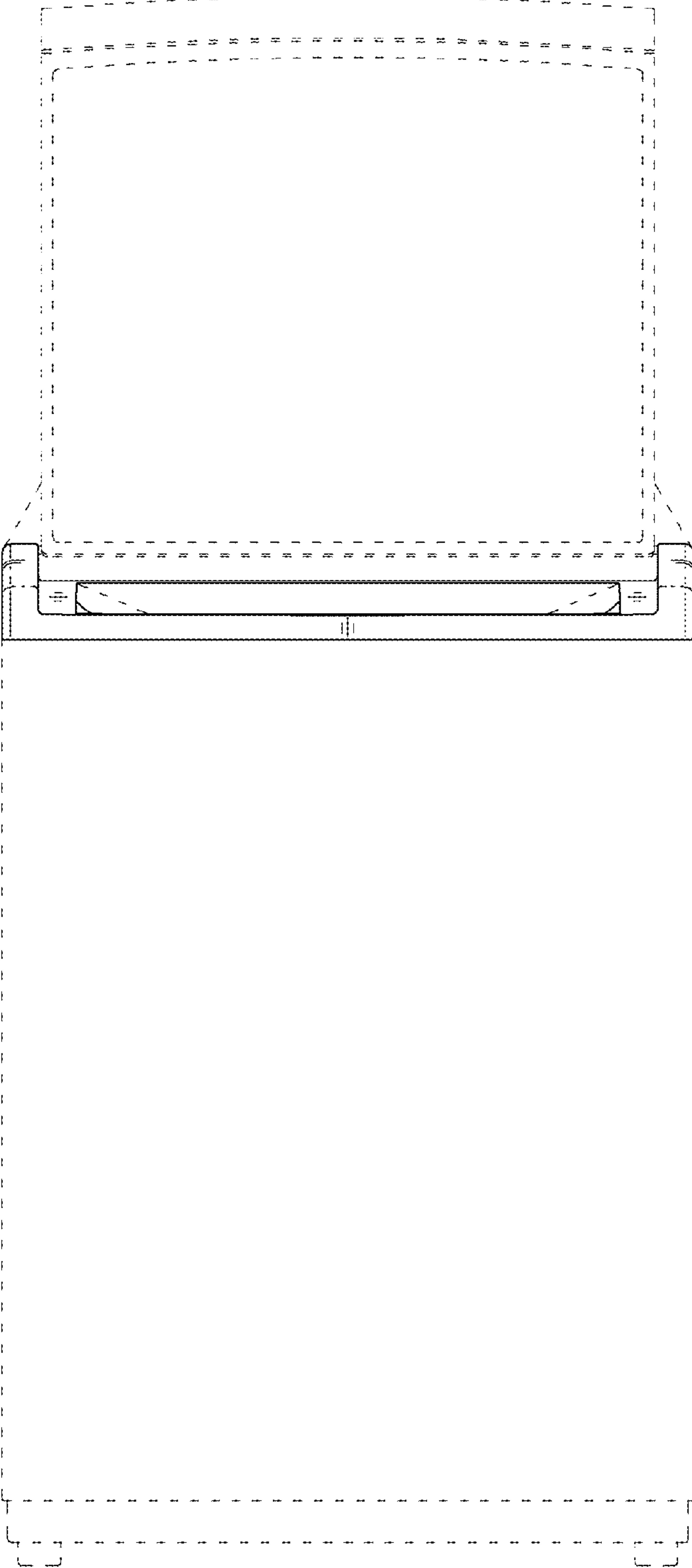


FIG. 3

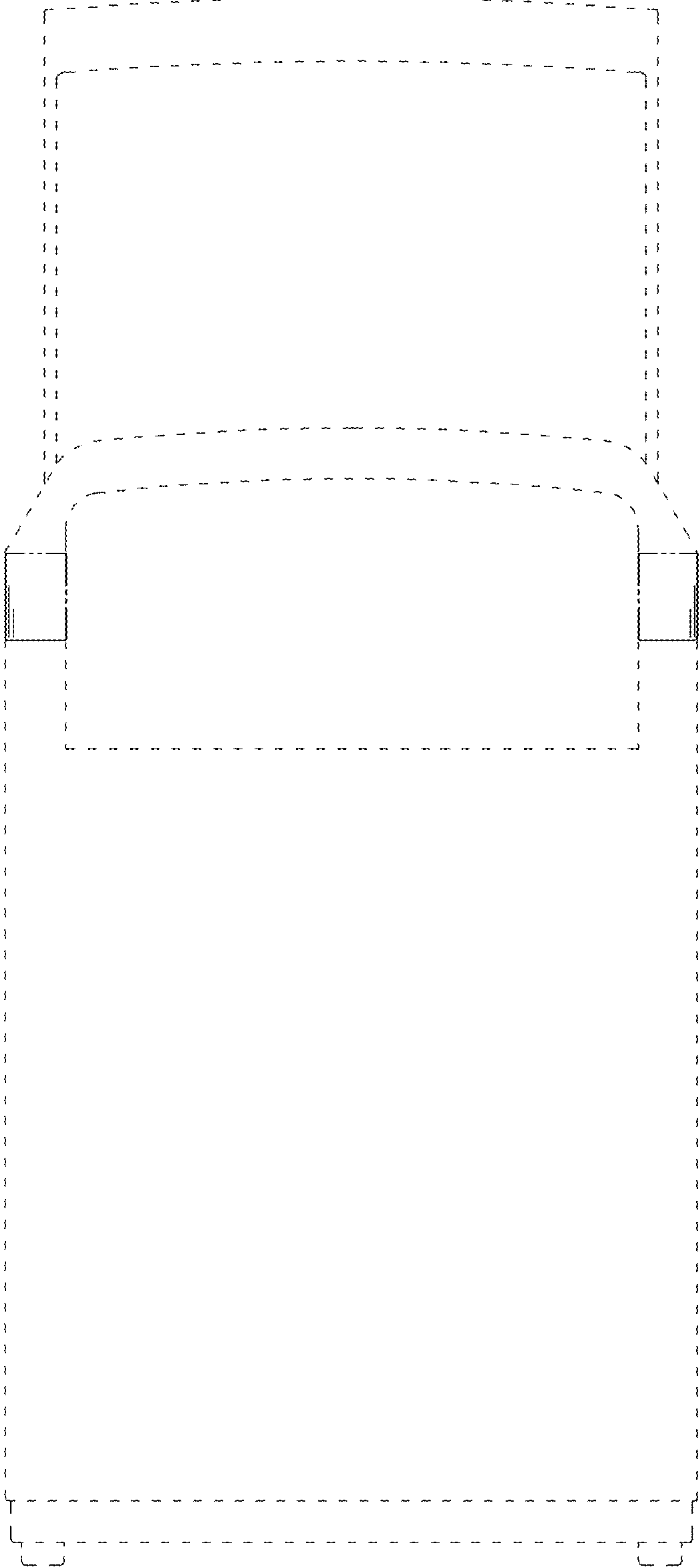


FIG. 4

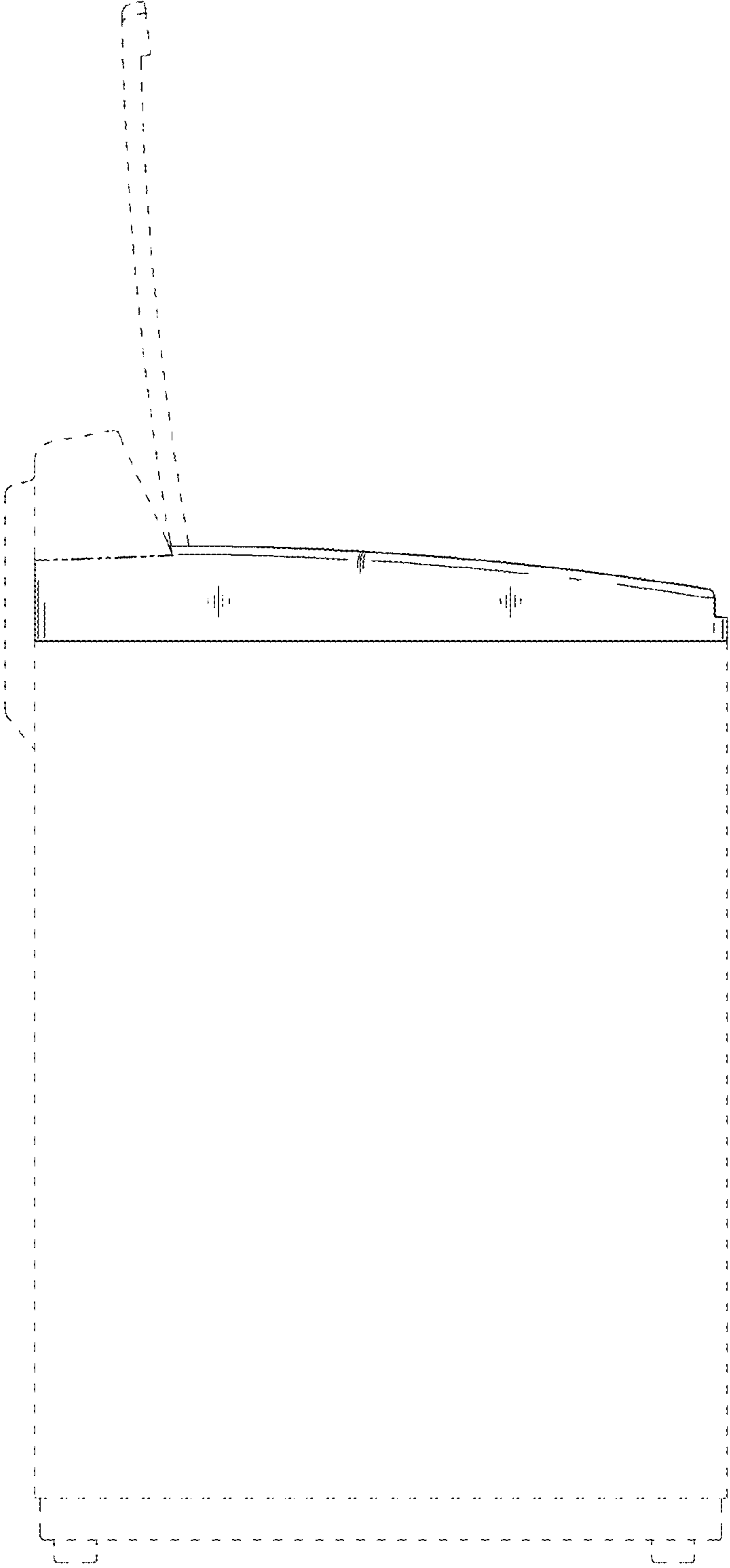


FIG. 5

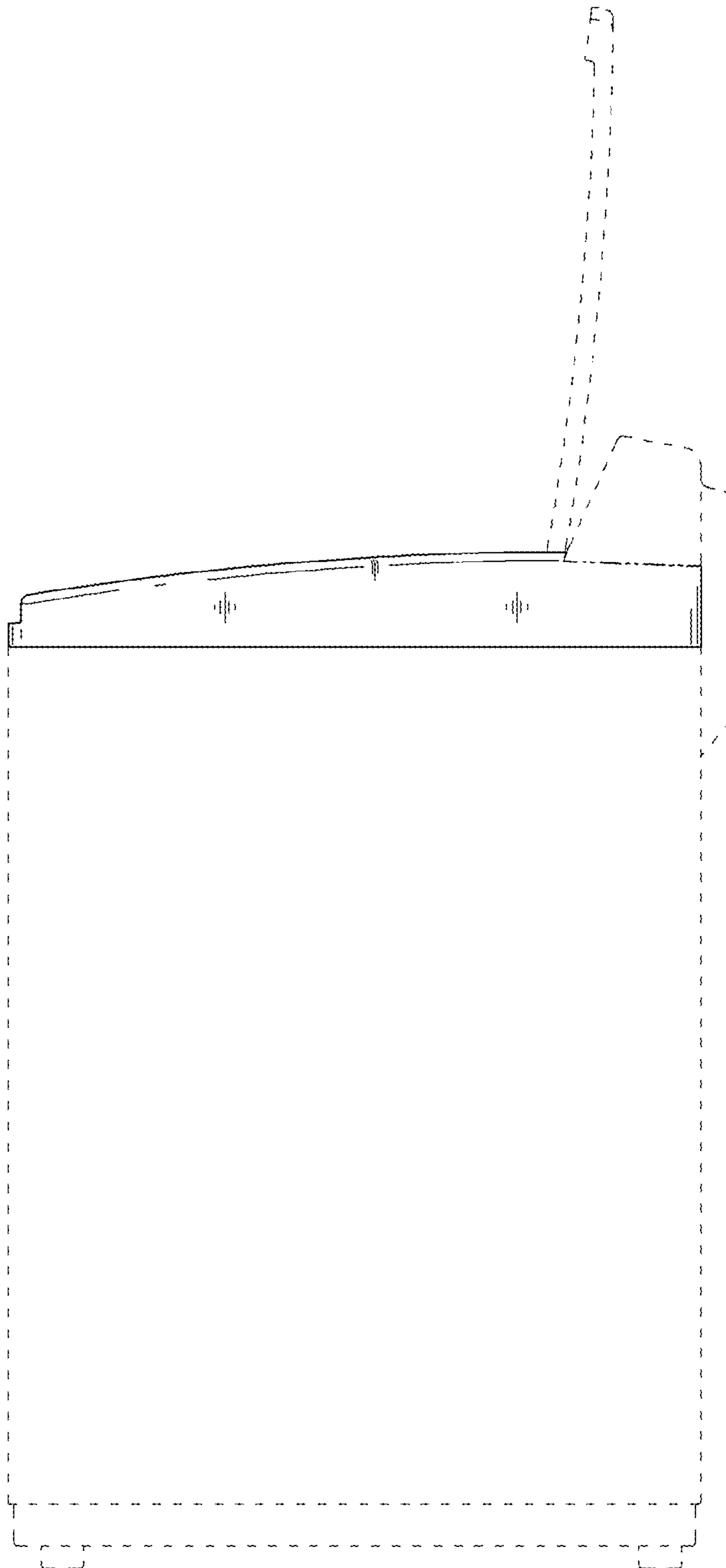


FIG. 6

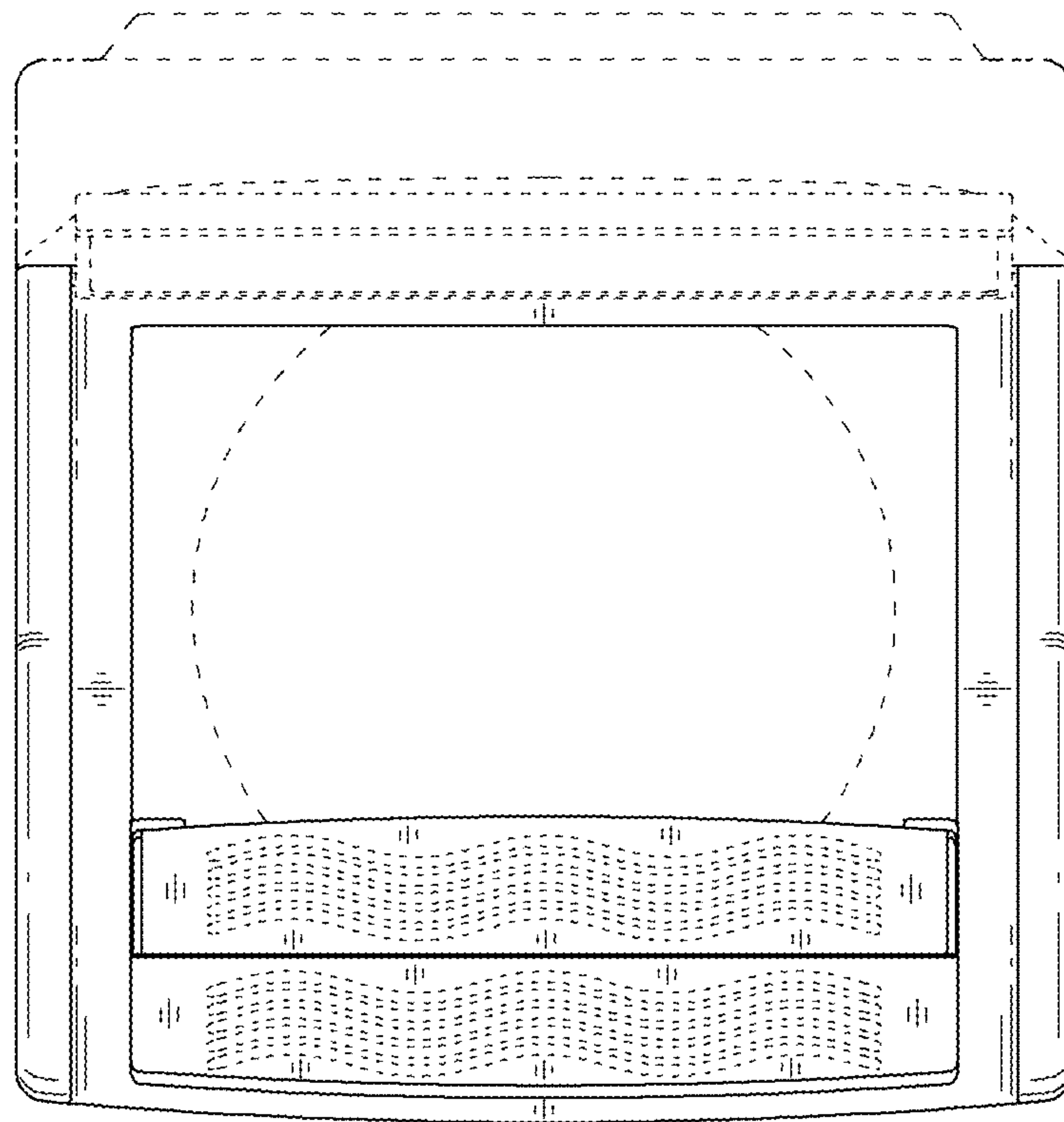


FIG. 7

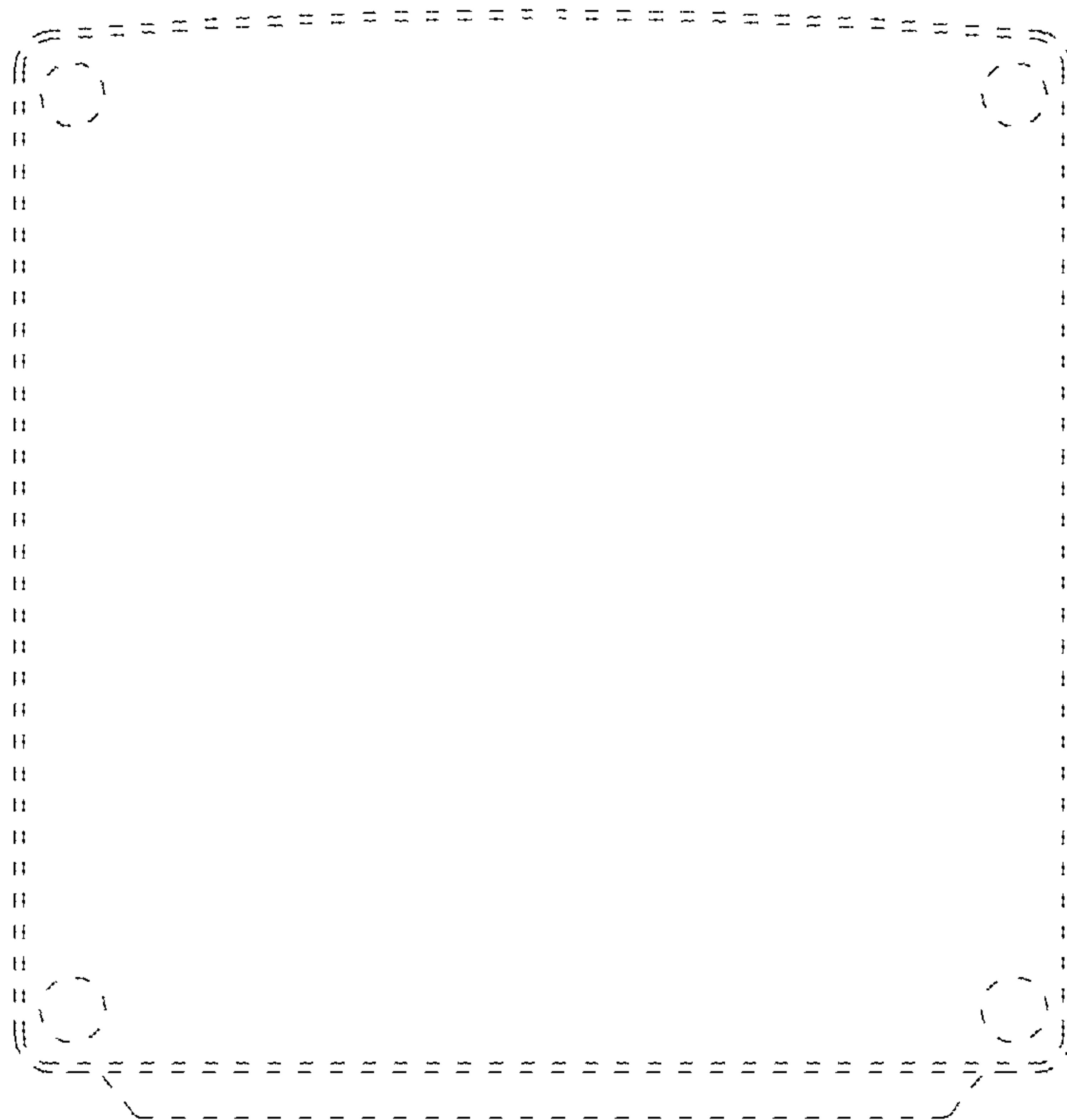


FIG. 8

