



US00D760963S

(12) **United States Design Patent**
Delman et al.

(10) **Patent No.:** **US D760,963 S**
(45) **Date of Patent:** **** Jul. 5, 2016**

(54) **POULTRY FEEDER**
(71) Applicant: **ChickenWaterer.com, LLC**, Palo Alto, CA (US)
(72) Inventors: **H. Mark Delman**, Palo Alto, CA (US);
Lauren Delman, Palo Alto, CA (US)
(73) Assignee: **ChickenWaterer.com, LLC**, Palo Alto, CA (US)
(**) Term: **14 Years**
(21) Appl. No.: **29/512,589**
(22) Filed: **Dec. 19, 2014**
(51) **LOC (10) Cl.** **30-03**
(52) **U.S. Cl.**
USPC **D30/131**; D30/124; D30/121
(58) **Field of Classification Search**
USPC D30/121, 122, 124, 126-129, 132, 133, D30/199; 119/52.4, 53, 51.01, 61.3, 56.1, 119/58, 59, 70, 57.4, 55, 57.1, 57.2, 54, 119/57.92, 72, 57.7, 52.1, 74; D22/122-123; 43/121, 124, 126, 131, 43/132.1, 133, 138, 114, 107
CPC ... A01K 39/0125; A01K 39/00; A01K 39/01; A01K 39/0113; A01K 39/012; A01K 39/014; A01K 39/02; A01K 39/0206; A01M 1/023; A01M 1/026; A01M 1/04; A01M 1/08; A01M 1/10; A01M 1/00; A01M 1/02
See application file for complete search history.

2,426,696 A * 9/1947 Kwash A01K 39/026 119/52.4
2,571,004 A * 10/1951 Bacon A01K 39/012 119/52.4
3,205,860 A * 9/1965 Moore A01K 5/0225 119/52.4
3,717,126 A * 2/1973 Falcone et al. A01K 39/012 119/52.4

(Continued)

OTHER PUBLICATIONS

Efowl website , http://www.efowl.com/Plastic_Poultry_Feeder_Base_p/6626.htm, poultry feeder base, 2015, 1 page.*

(Continued)

Primary Examiner — Susan Moon Lee
(74) *Attorney, Agent, or Firm* — Osha Liang LLP

(57) **CLAIM**
An ornamental design for a poultry feeder, as shown and described.

DESCRIPTION

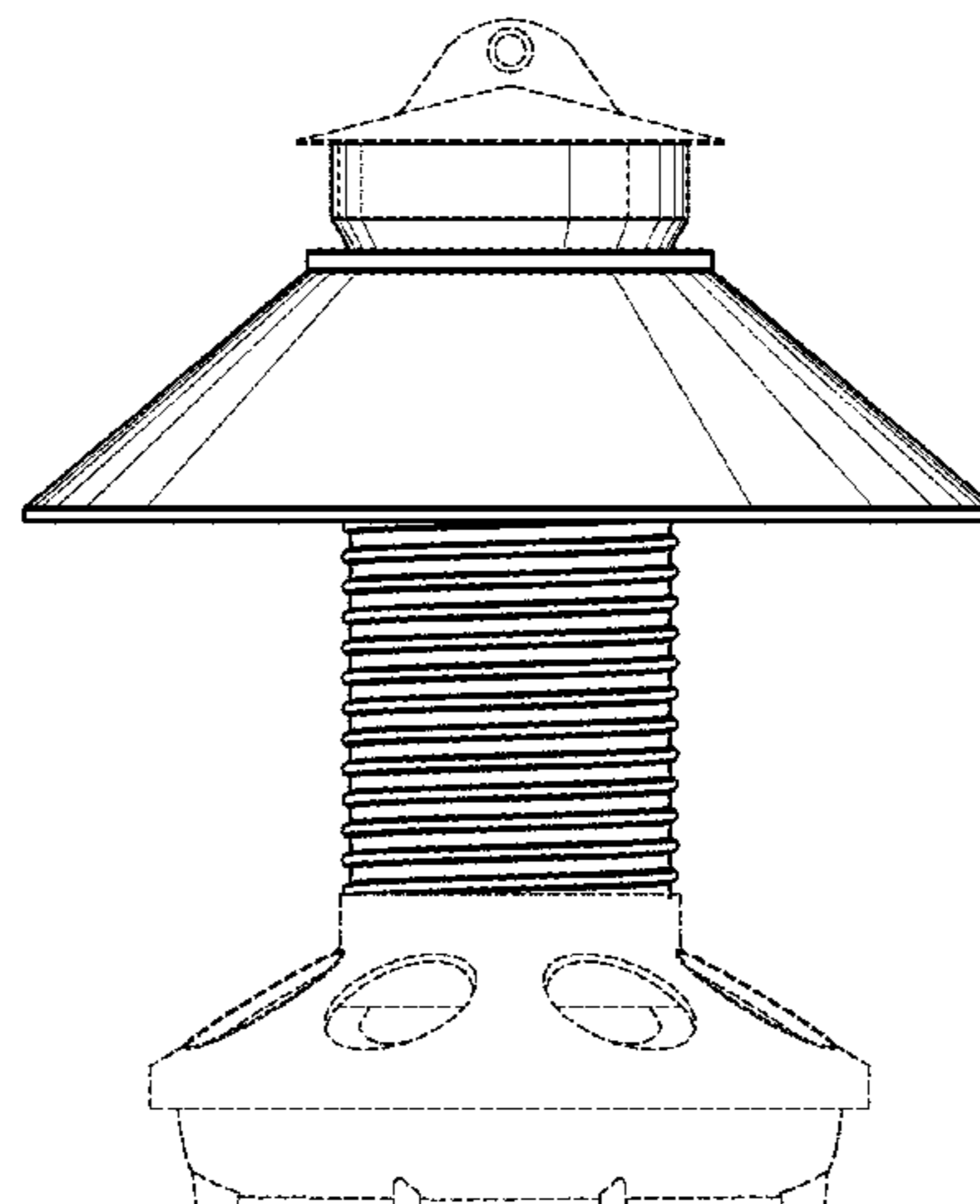
FIG. 1 is a perspective view of a poultry feeder;
FIG. 2 is a top view thereof;
FIG. 3 is a bottom view thereof;
FIG. 4 is a side view thereof;
FIG. 5 is a perspective view of the tube component of the poultry feeder of FIG. 1, shown separately for clarity;
FIG. 6 is a side view thereof;
FIG. 7 is a top view thereof;
FIG. 8 is a bottom view thereof;
FIG. 9 is a cross sectional view thereof take from along the points indicated in FIG. 6;
FIG. 10 is a perspective view of the awning component of the poultry feeder of FIG. 1, shown separately for clarity;
FIG. 11 is a top view thereof;
FIG. 12 is a bottom view thereof; and,
FIG. 13 is a side view thereof.
Broken lines and unshaded portions contained within broken lines are not claimed.

1 Claim, 8 Drawing Sheets

(56) **References Cited**

U.S. PATENT DOCUMENTS

1,058,796 A * 4/1913 Schott A01K 39/012 119/52.4
1,286,002 A * 11/1918 Hoffman A01K 39/012 119/52.2
1,340,818 A * 5/1920 Brinkman F16L 11/15 138/122
1,404,251 A * 1/1922 Westenberger A01K 39/012 119/52.4
1,534,375 A * 4/1925 Foucht A01K 39/012 119/52.4



(56)

References Cited

U.S. PATENT DOCUMENTS

3,739,815 A * 6/1973 Rejeski F16L 11/24
138/122
3,811,412 A * 5/1974 Murto A01K 39/0125
119/53
4,127,836 A * 11/1978 Slenker H01F 21/06
138/178
D294,060 S * 2/1988 Rogers D22/122
D296,355 S * 6/1988 Kanao D23/266
D296,356 S * 6/1988 Kanao D23/266
4,846,507 A * 7/1989 Geary F16L 15/006
285/27
4,964,440 A * 10/1990 Andre F16L 57/06
138/121
5,199,382 A * 4/1993 Adriano A01K 39/0125
119/52.1
D343,030 S * 1/1994 Harwick, Jr. D30/128
5,794,562 A * 8/1998 Hart A01K 39/0125
119/52.4
5,957,083 A * 9/1999 Cheng A01K 39/0125
119/53
6,024,134 A * 2/2000 Akedo F16L 11/115
138/122

D428,675 S * 7/2000 Kokernot D30/128
6,216,383 B1 * 4/2001 Klabunde A01M 1/02
43/107
D456,058 S * 4/2002 Rollins D22/122
6,410,852 B1 * 6/2002 Schimpf H02G 3/0468
138/121
D504,547 S * 4/2005 Nauert 119/57.9
D524,902 S * 7/2006 Masters D22/122
D538,376 S * 3/2007 Chen D22/123
D542,981 S * 5/2007 Cole D30/124
D611,576 S * 3/2010 Tokuno D23/266
D717,410 S * 11/2014 Menno D23/266
2005/0116468 A1 * 6/2005 Otten F16L 15/004
285/90

OTHER PUBLICATIONS

Efowl website , http://www.efowl.com/8_Hole_Galvanized_Round_Poultry_Feeder_p/6602.htm, galvanized feeder base, 2015, 1 page.*
Green Fire Farms, <http://greenfirefarms.com/2012/10/zero-waste-feeder/> , no waste feeder, 2015, 1 page.*

* cited by examiner

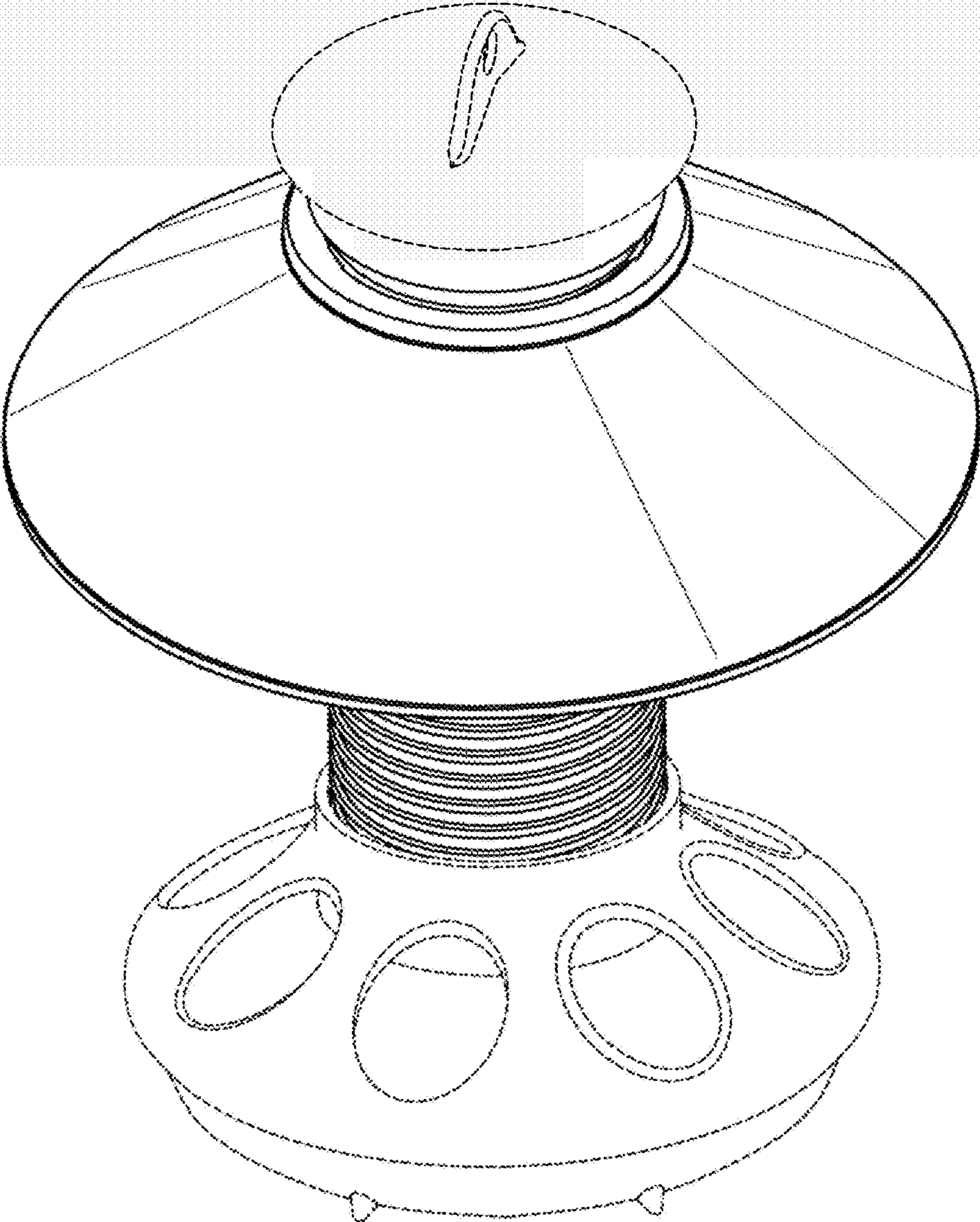


FIG. 1

FIG. 2

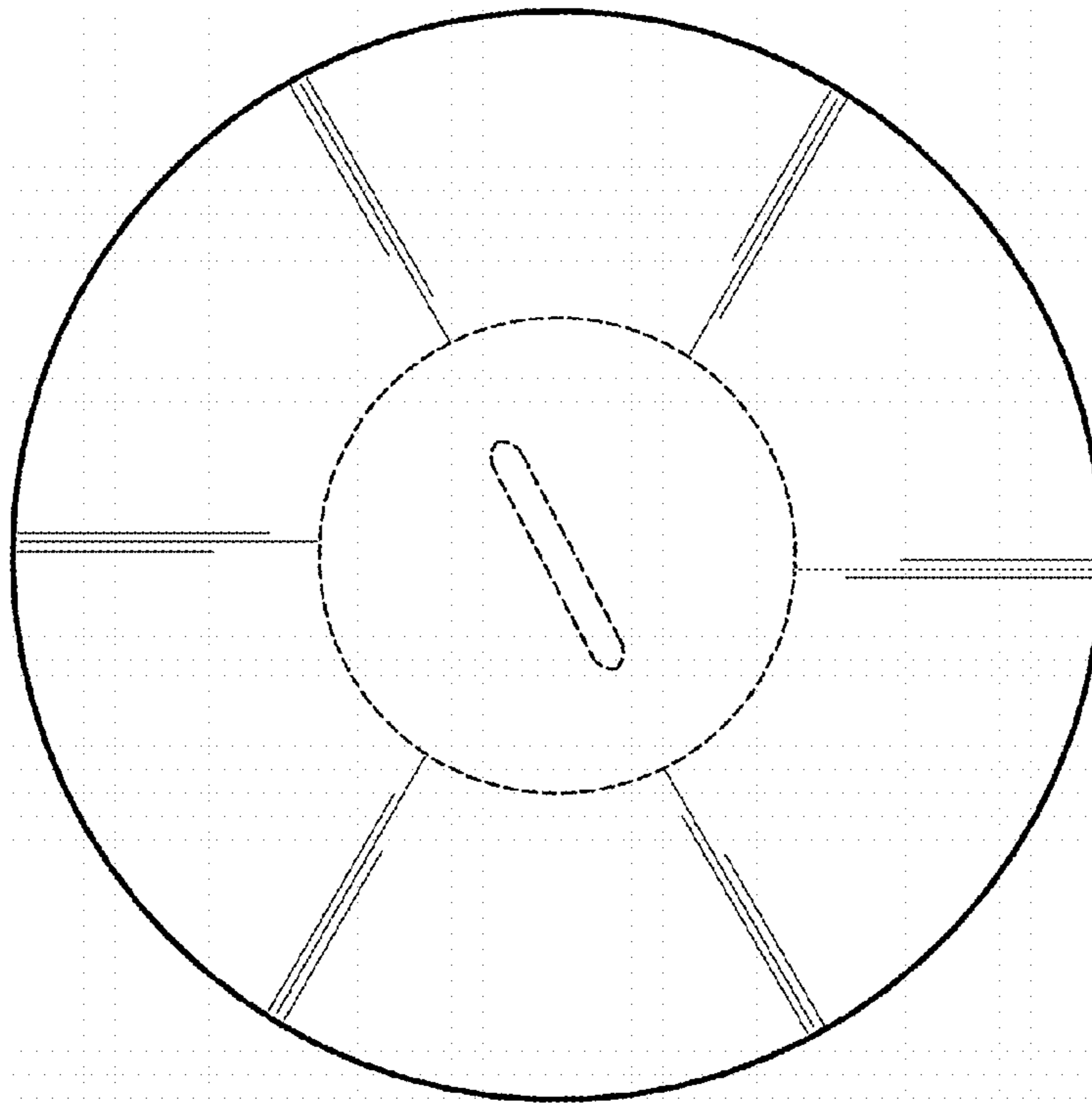
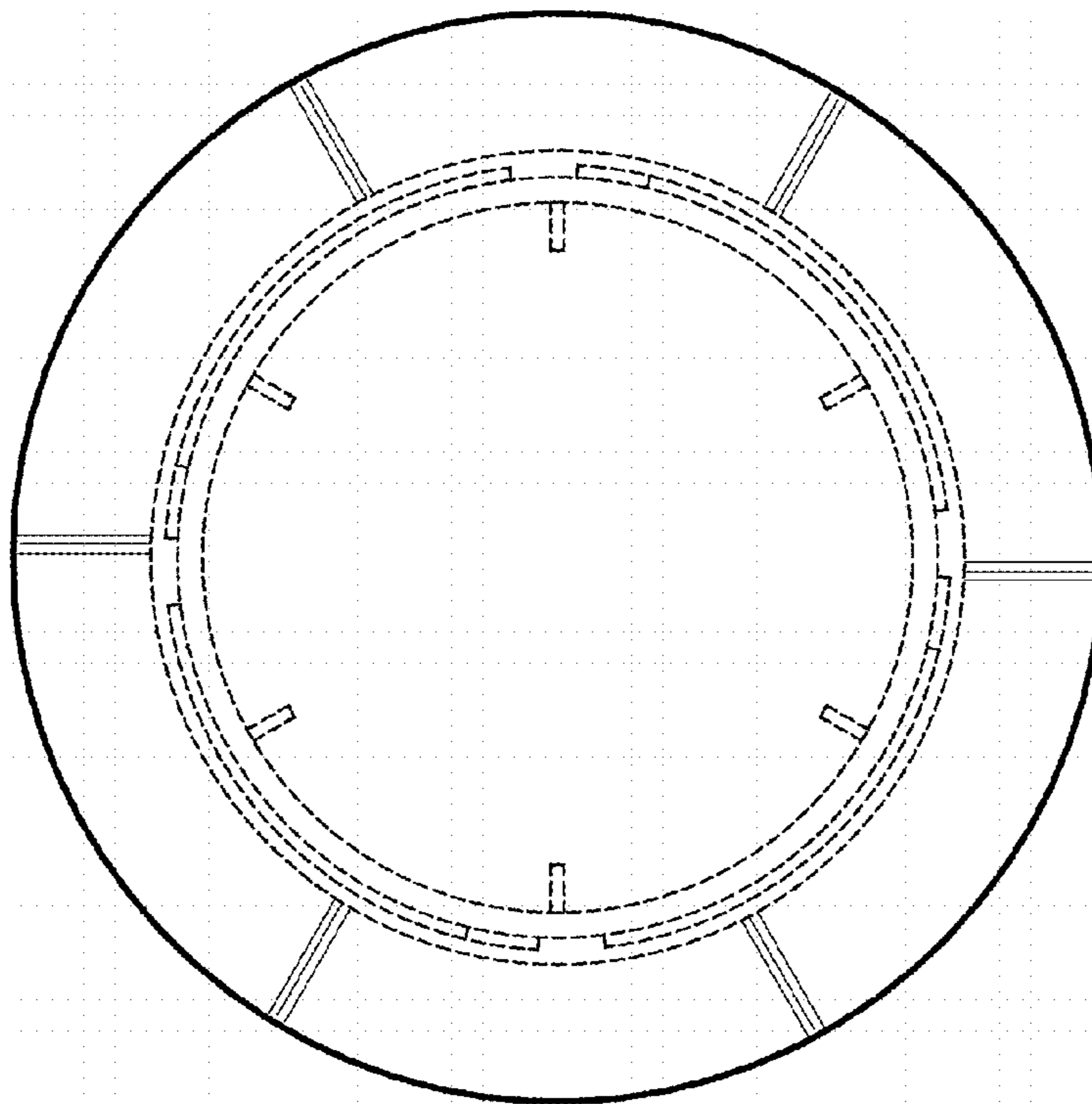


FIG. 3



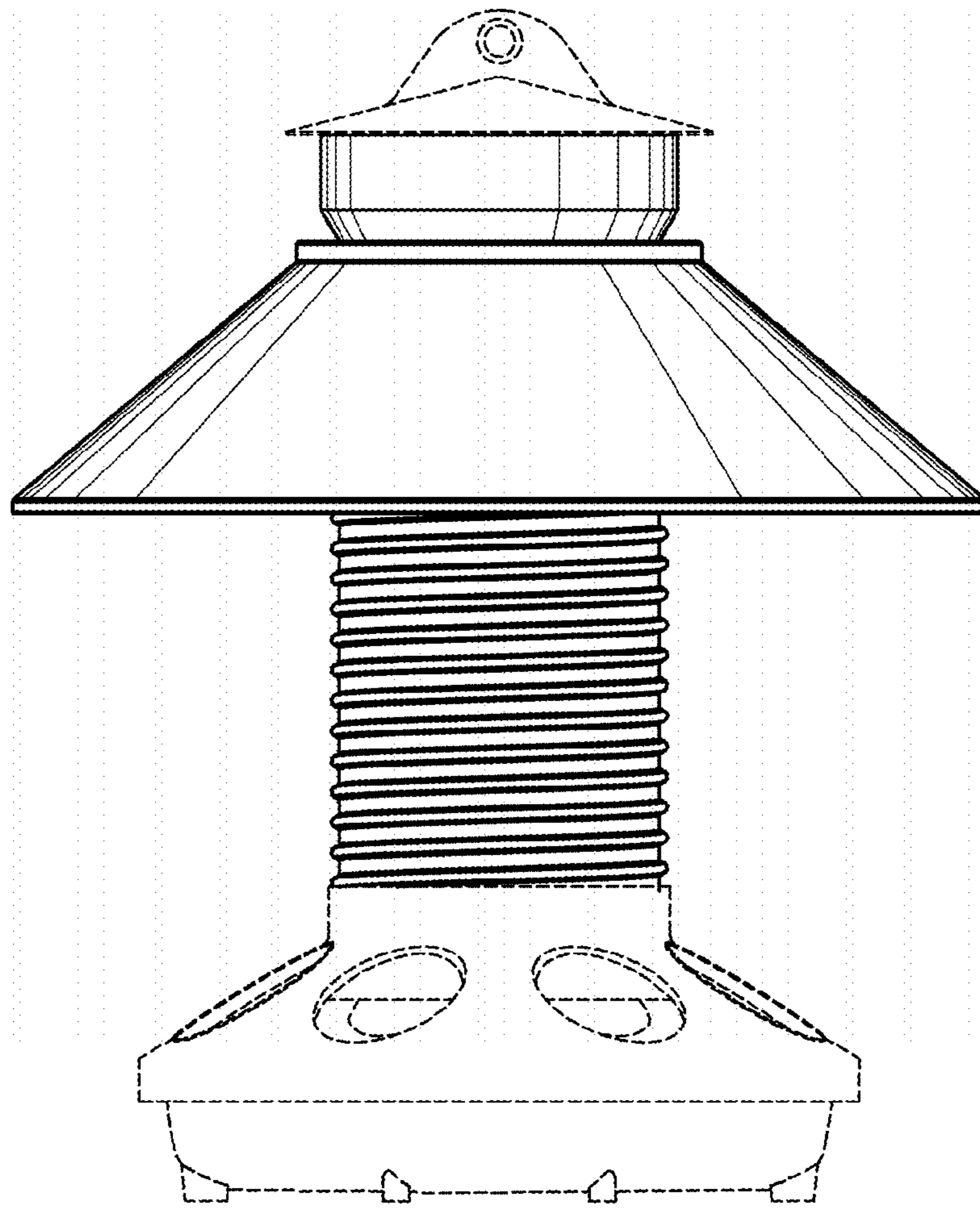


FIG. 4

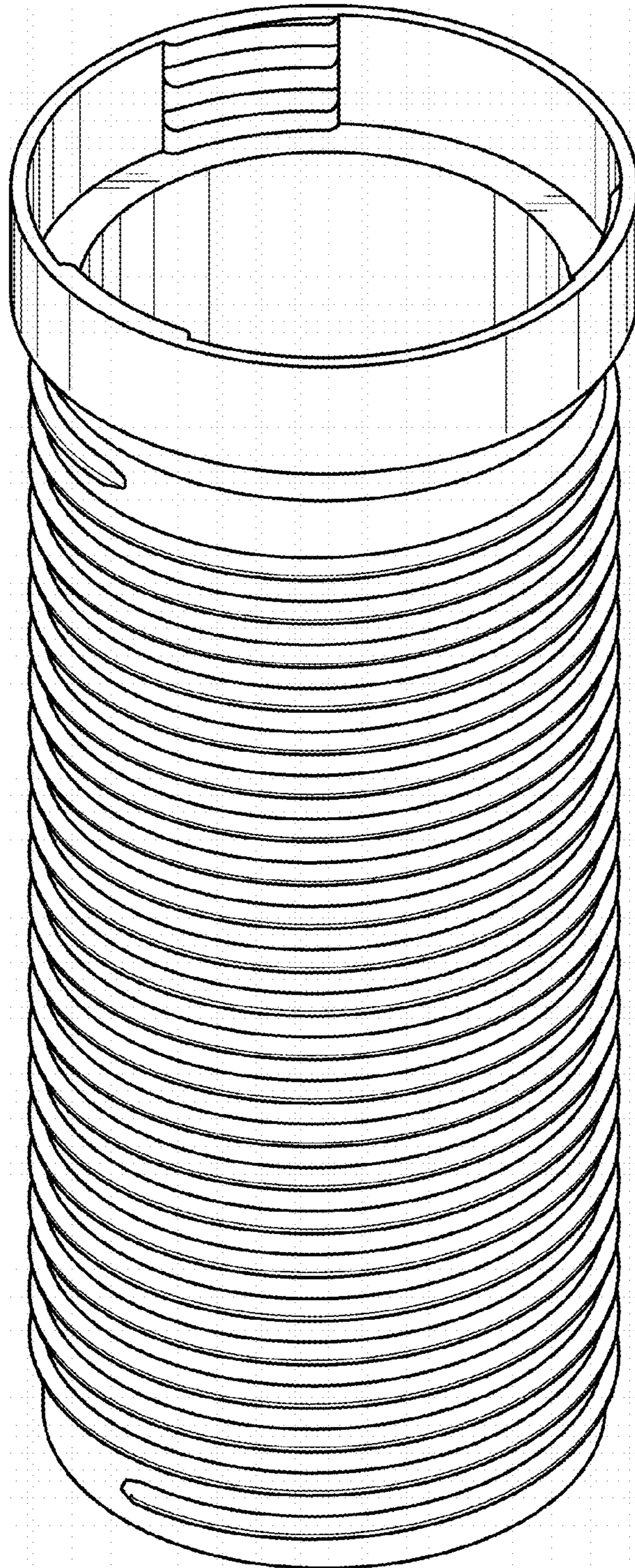
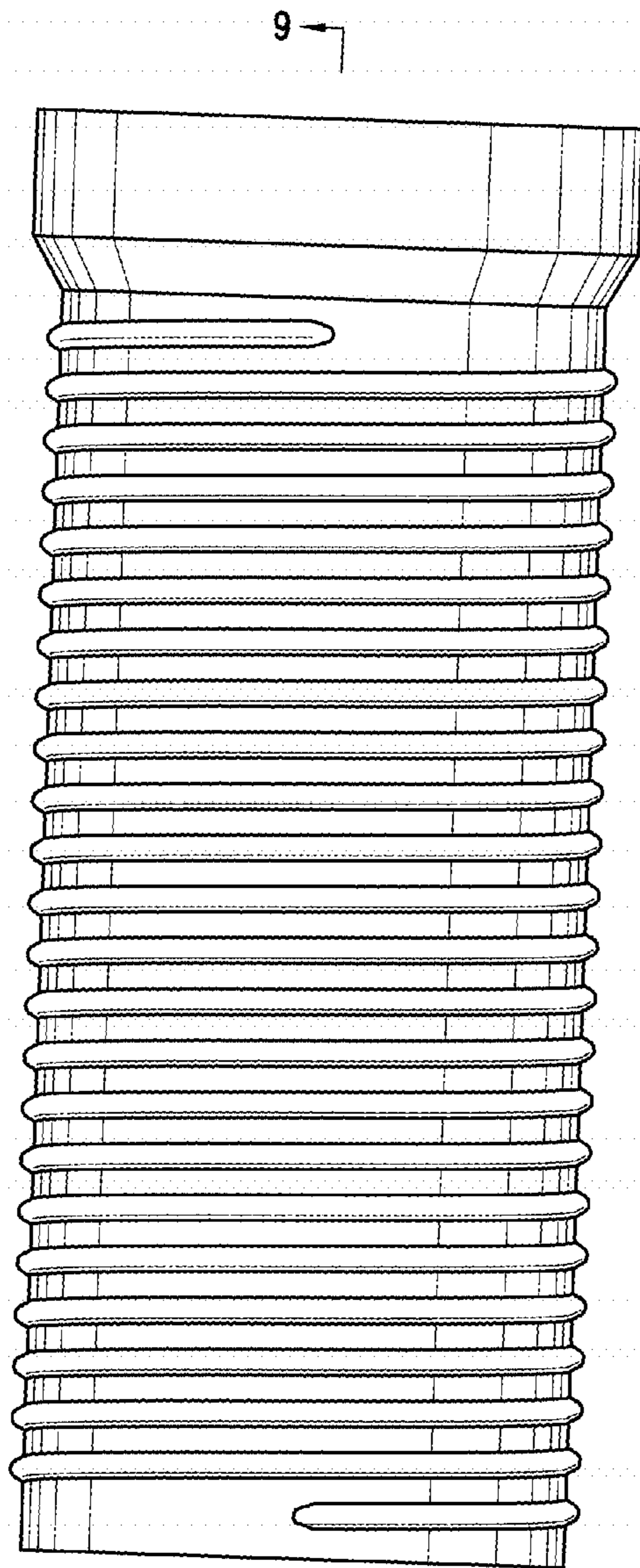


FIG. 5



9
FIG. 6

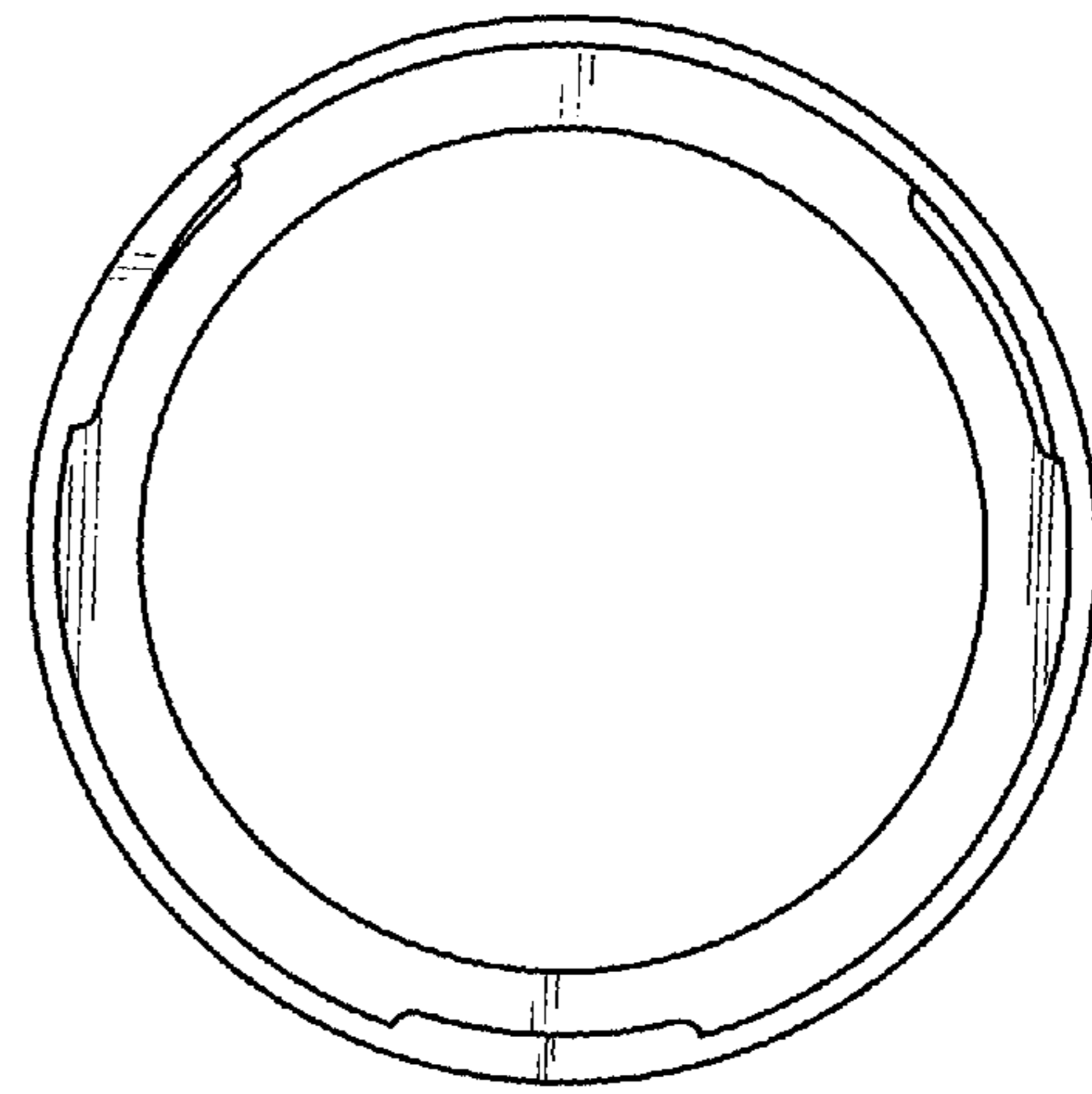


FIG. 7

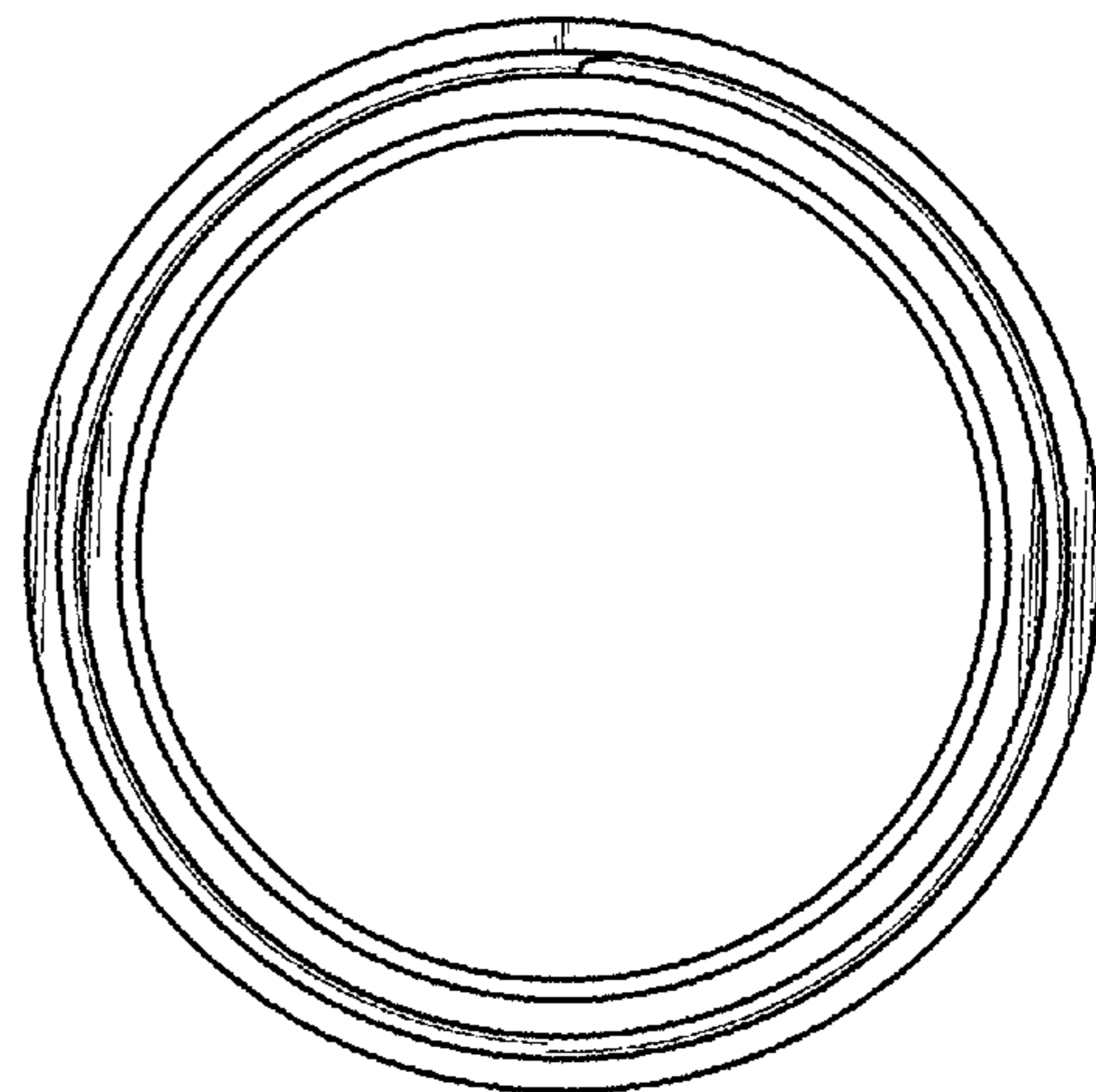


FIG. 8

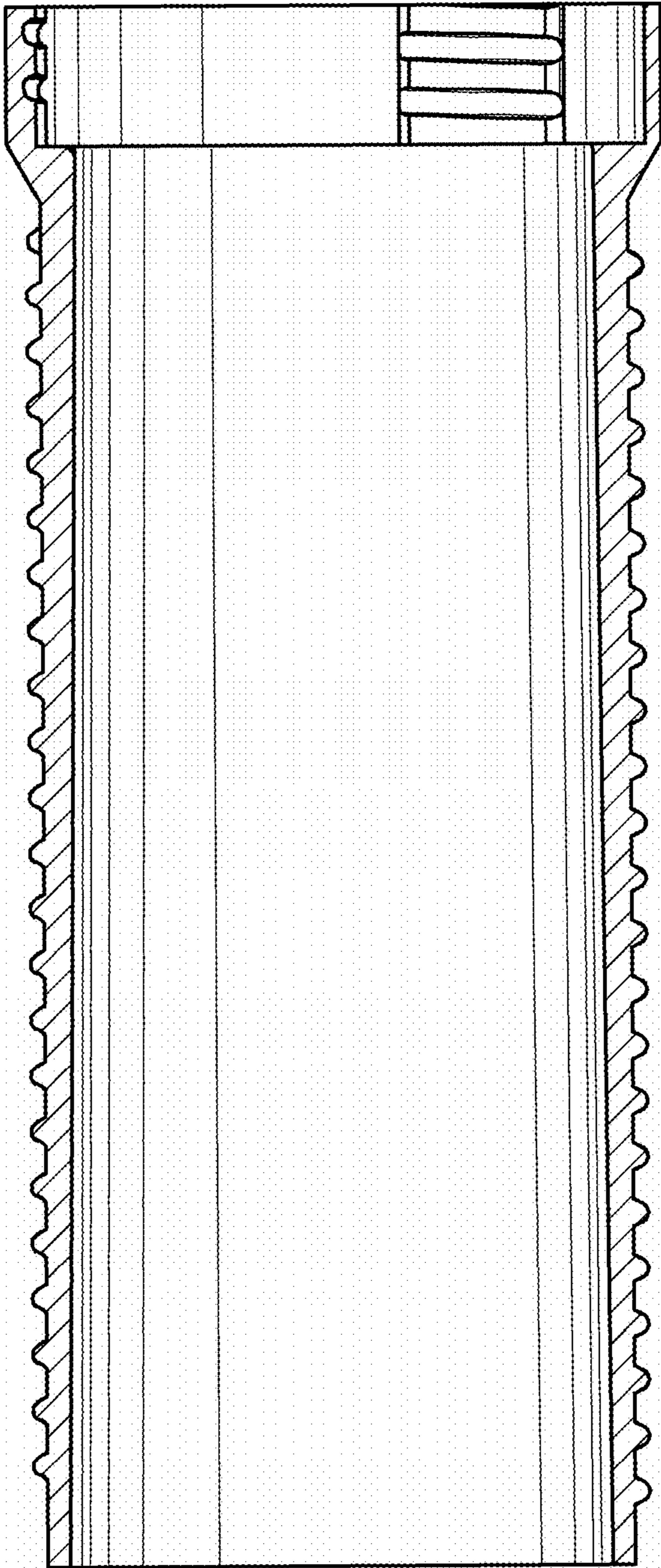


FIG. 9

FIG. 10

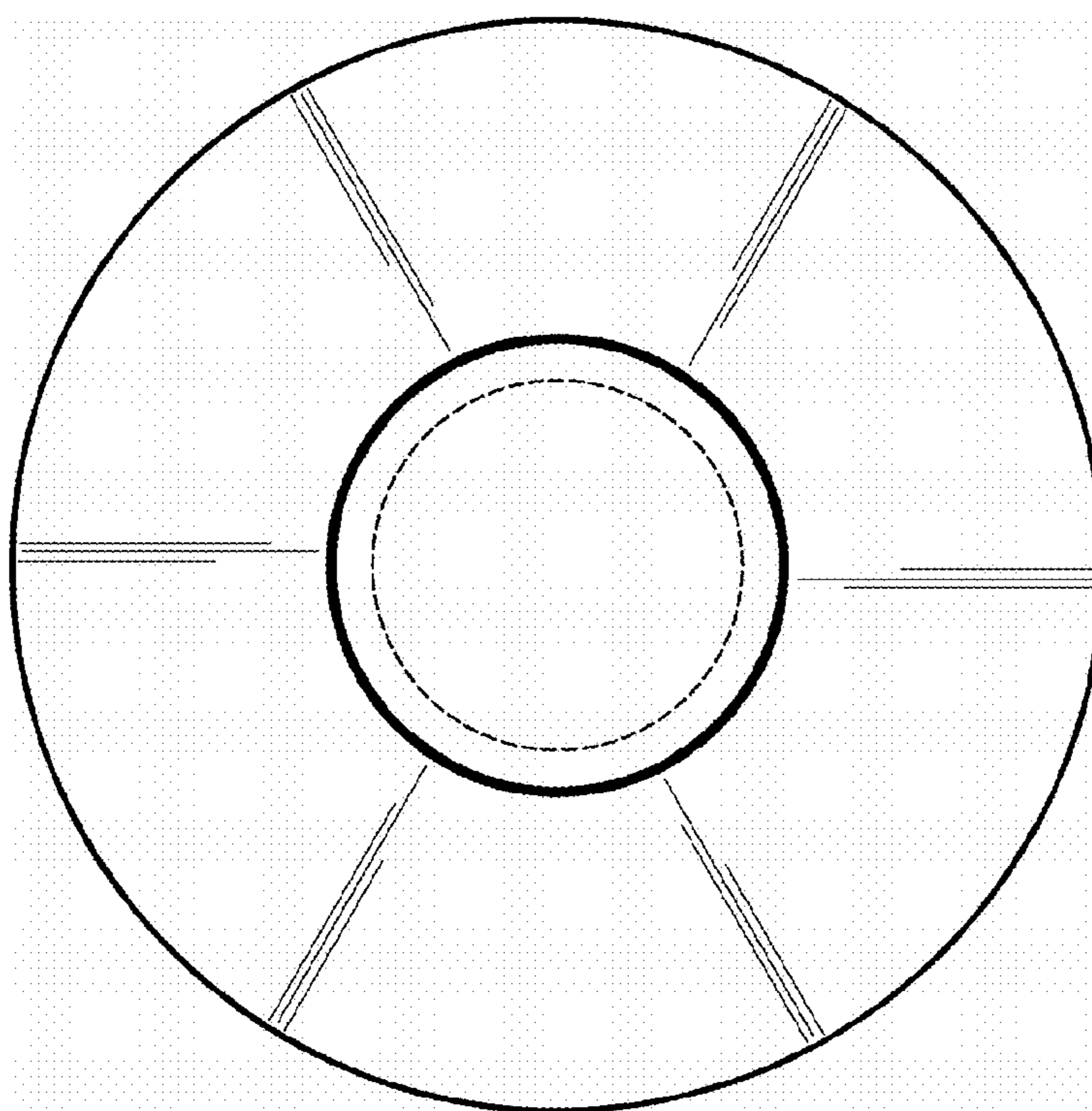
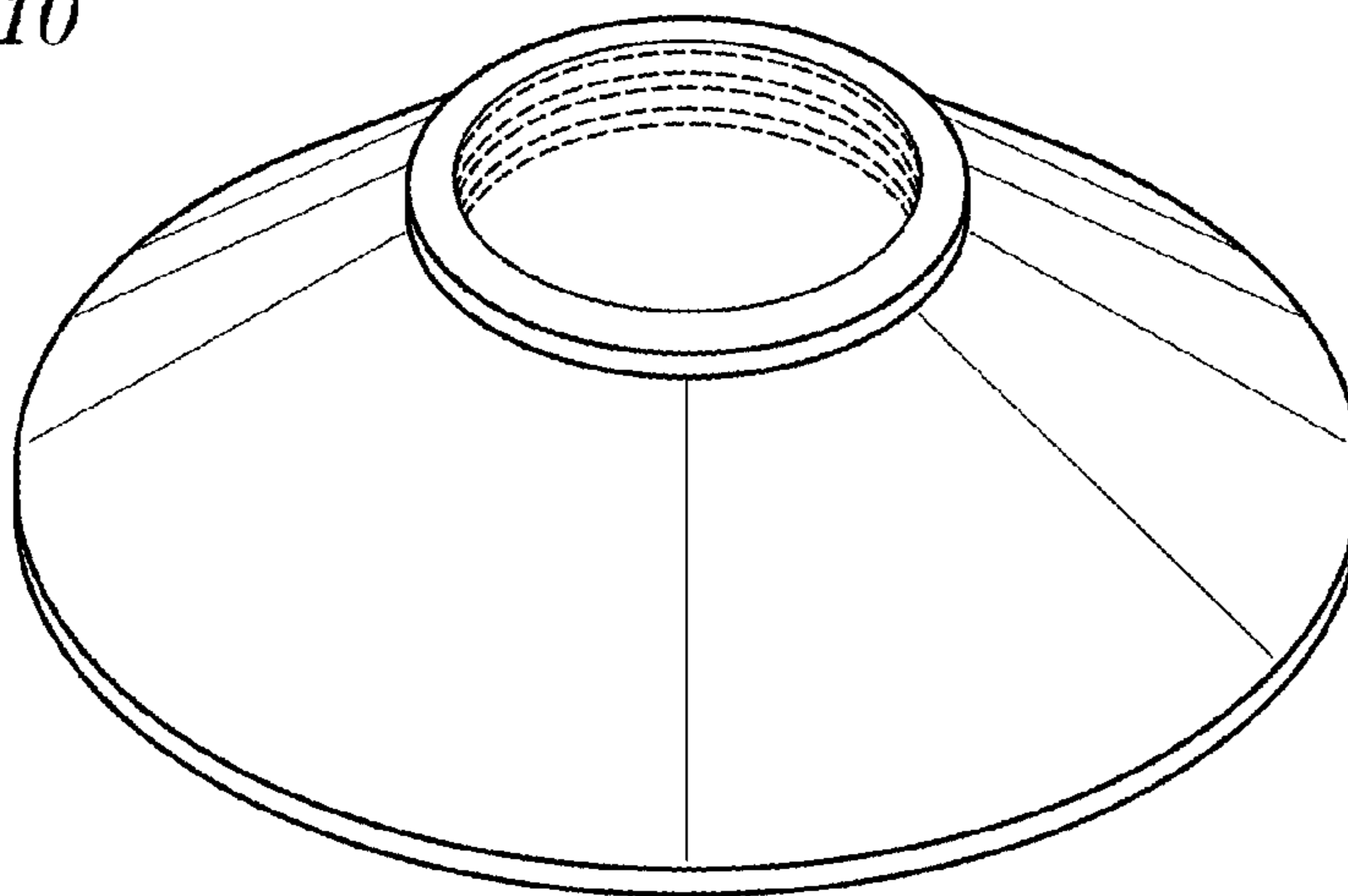


FIG. 11

FIG. 12

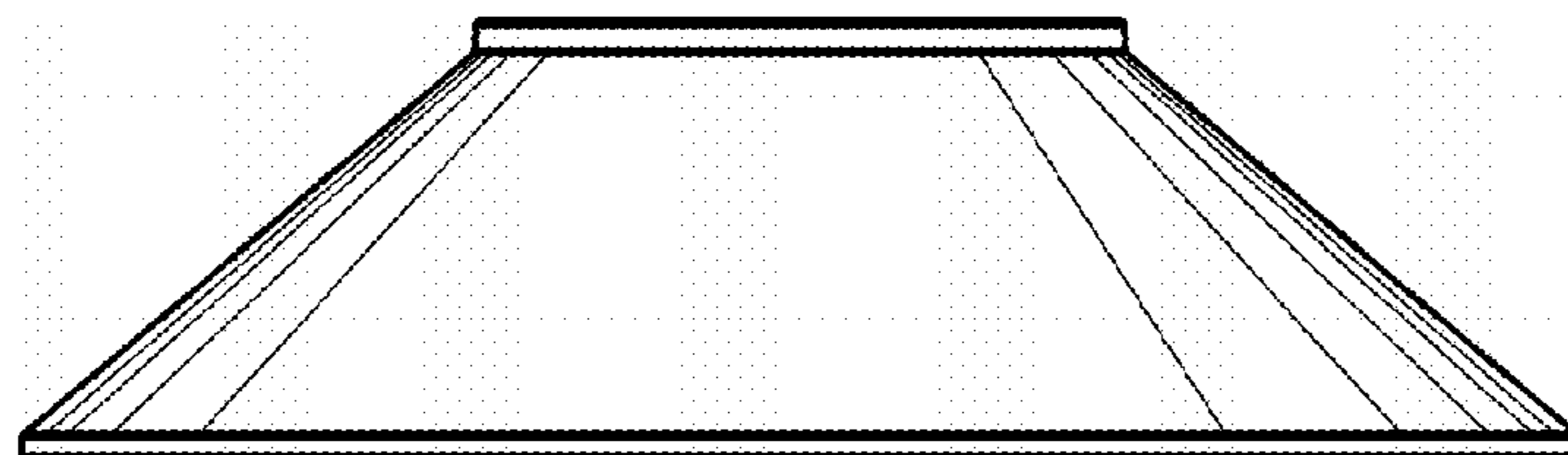
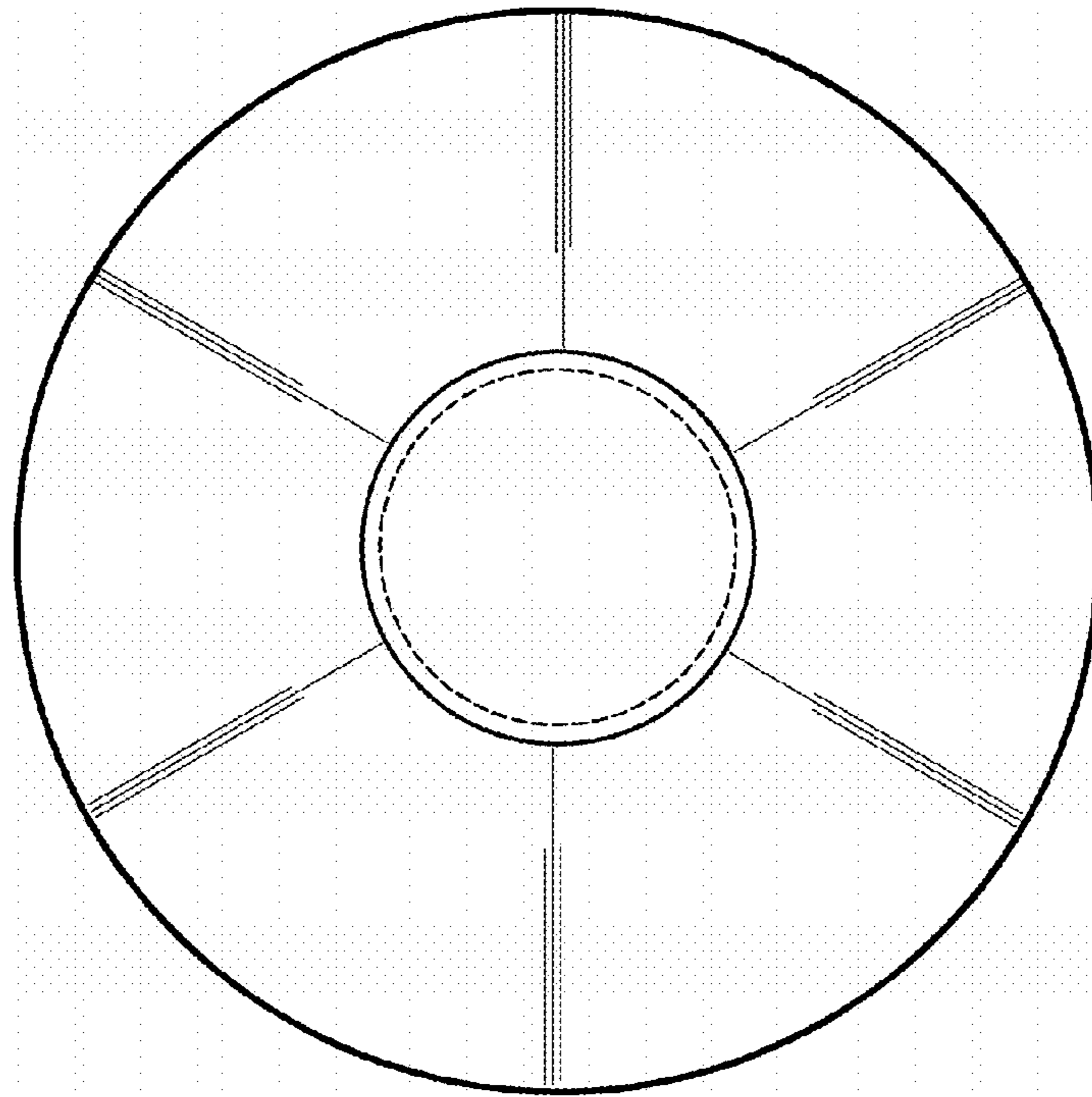


FIG. 13