

US00D760961S

(12) **United States Design Patent**
Turner

(10) **Patent No.:** **US D760,961 S**
(45) **Date of Patent:** **** Jul. 5, 2016**

(54) **BOW-TIE SHAPED COSMETIC CONTAINER**

(71) Applicant: **Arlicia Sharay Turner**, Buford, GA
(US)

(72) Inventor: **Arlicia Sharay Turner**, Buford, GA
(US)

(**) Term: **14 Years**

(21) Appl. No.: **29/521,146**

(22) Filed: **Mar. 20, 2015**

(51) **LOC (10) Cl.** **28-03**

(52) **U.S. Cl.**
USPC **D28/79; D9/631; D9/635**

(58) **Field of Classification Search**
USPC D28/76-84; D9/631, 635
CPC A45D 33/00-33/003; A45D 33/006;
A45D 33/008; A45D 33/02; A45D 33/025;
A45D 33/06-33/10; A45D 33/16; A45D
33/18; A45D 33/20; A45D 33/22; A45D
33/24; A45D 33/26; A45D 33/28; A45D
40/00; A45D 40/22-40/24; A45D 40/0075
See application file for complete search history.

(56) **References Cited**

U.S. PATENT DOCUMENTS

D110,302 S * 6/1938 Guerlain D9/635
D124,653 S * 1/1941 Kane D28/79
D307,646 S * 5/1990 Kingsford D28/76

D372,169 S * 7/1996 Newman D28/78
D392,421 S * 3/1998 Dinand D28/78
D482,494 S * 11/2003 Sheng D28/79
D534,333 S * 1/2007 Jones D2/606
D551,440 S * 9/2007 Stewart D3/203.3
D622,142 S * 8/2010 de France D9/441
D727,164 S * 4/2015 Staab D9/635

OTHER PUBLICATIONS

Internet google search for bowtie cosmetic compact, anna-sui-bowtie-jpep, vitamindaily.com, accessed Feb. 17, 2016.*

* cited by examiner

Primary Examiner — Jennifer Rivard

(74) *Attorney, Agent, or Firm* — Thomas I Horstemeyer, LLP

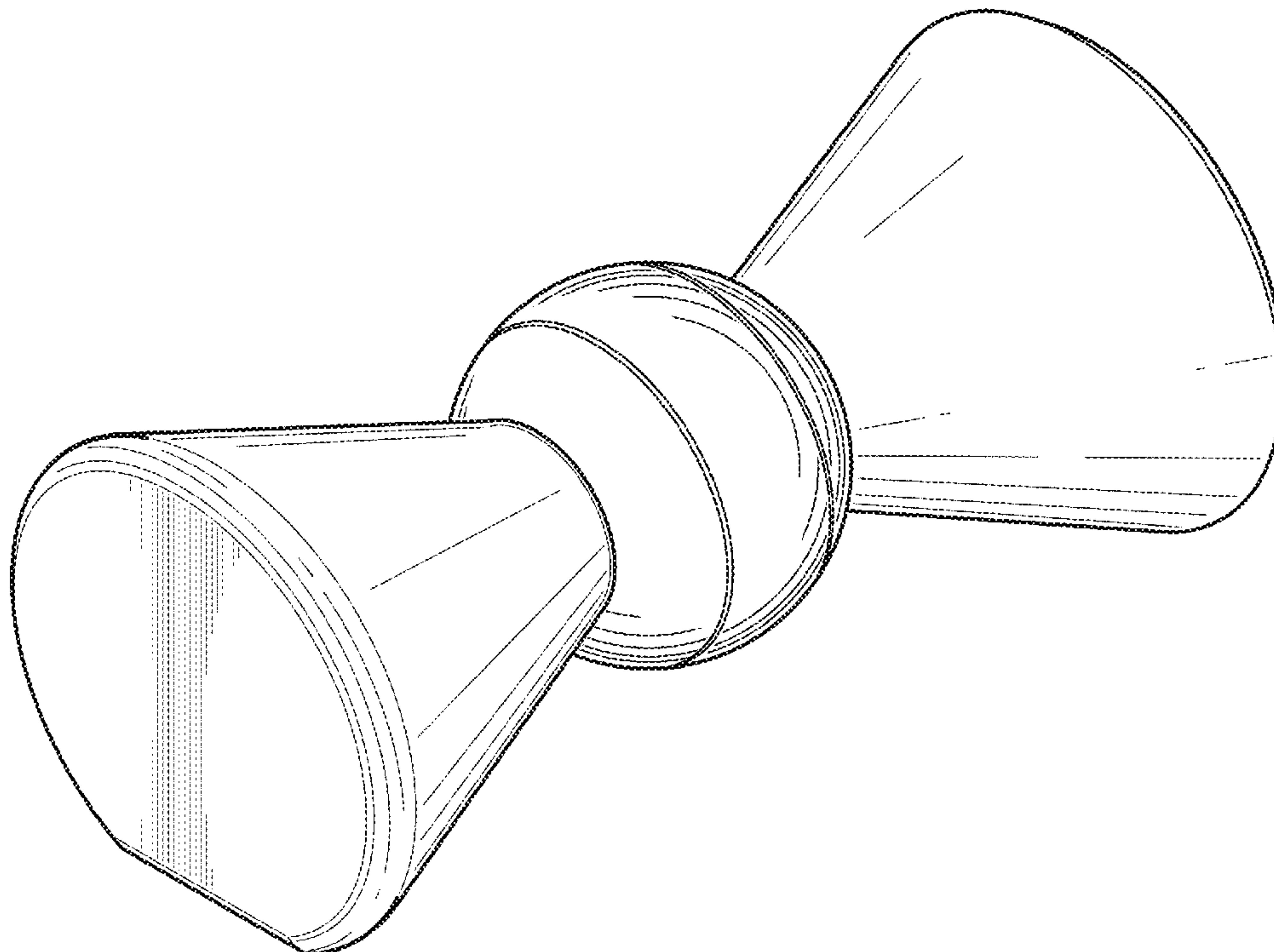
(57) **CLAIM**

The ornamental design for a bow-tie shaped cosmetic container, as shown and described.

DESCRIPTION

FIG. 1 is a perspective view showing my new bow-tie shaped cosmetic container;
FIG. 2 is a left side view thereof;
FIG. 3 is a right side view thereof;
FIG. 4 is a front view thereof;
FIG. 5 is a back view thereof;
FIG. 6 is a top view thereof;
FIG. 7 is a bottom view thereof; and,
FIG. 8 is an exploded view thereof.

1 Claim, 4 Drawing Sheets



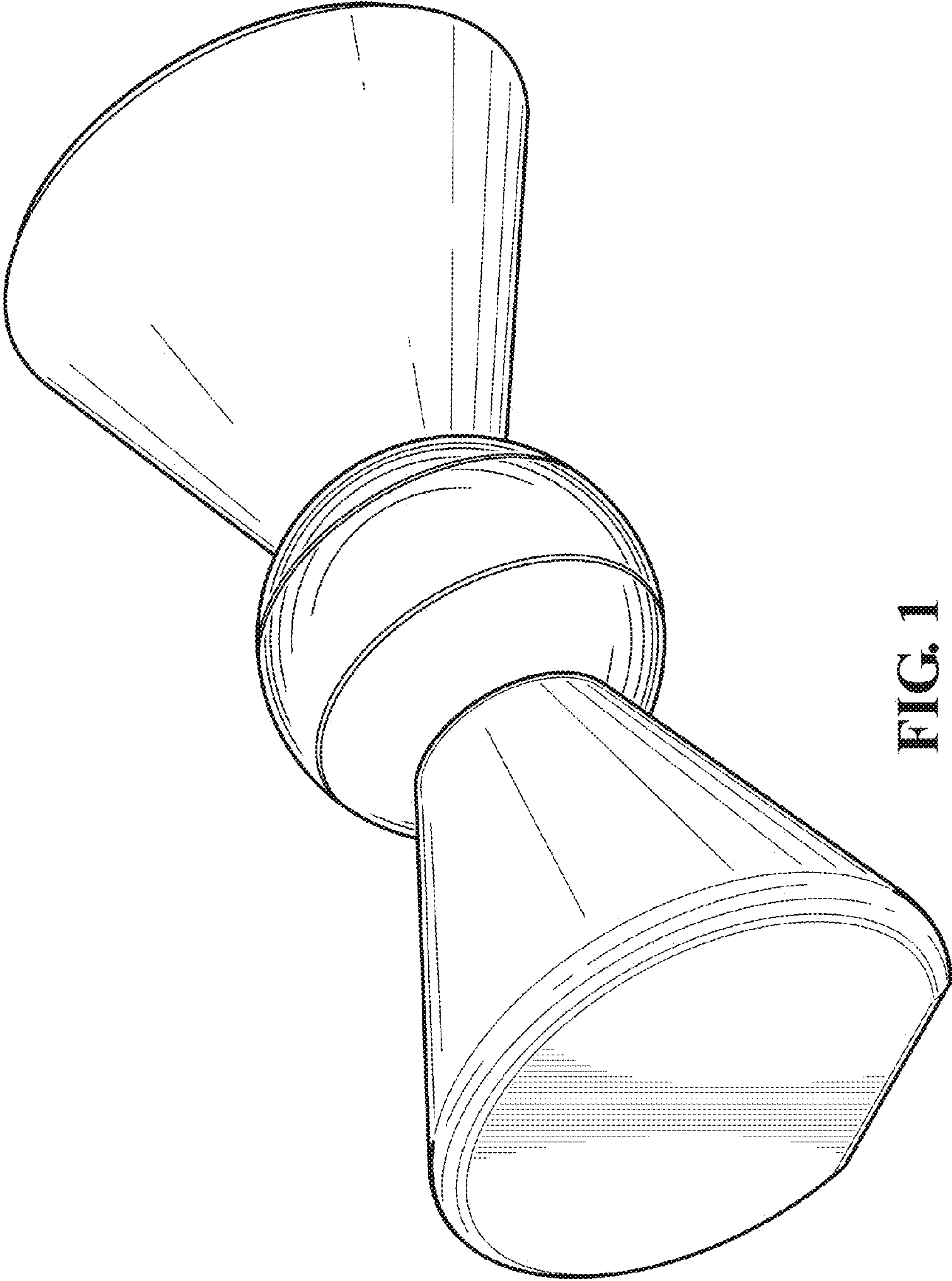


FIG. 1

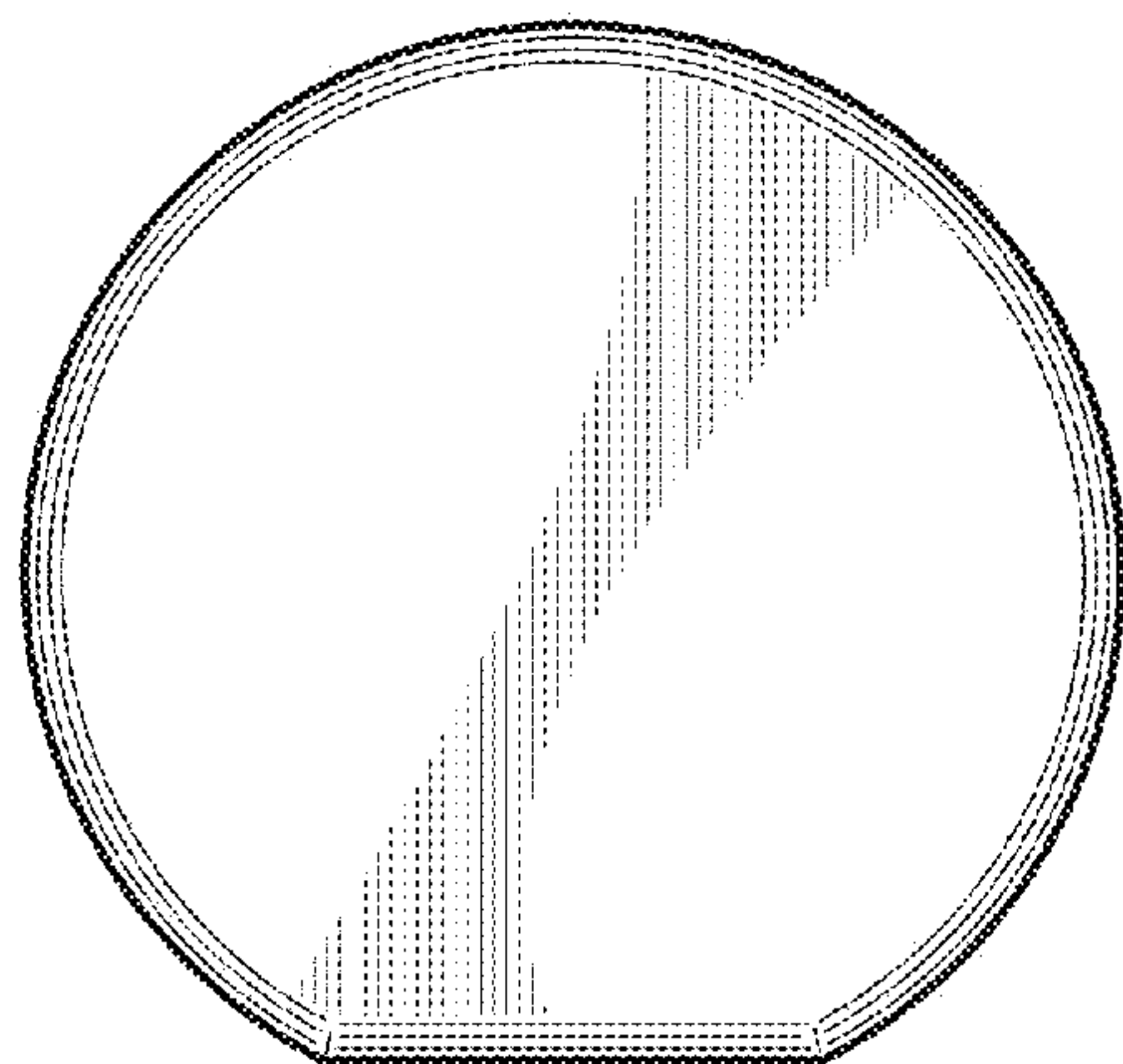


FIG. 2

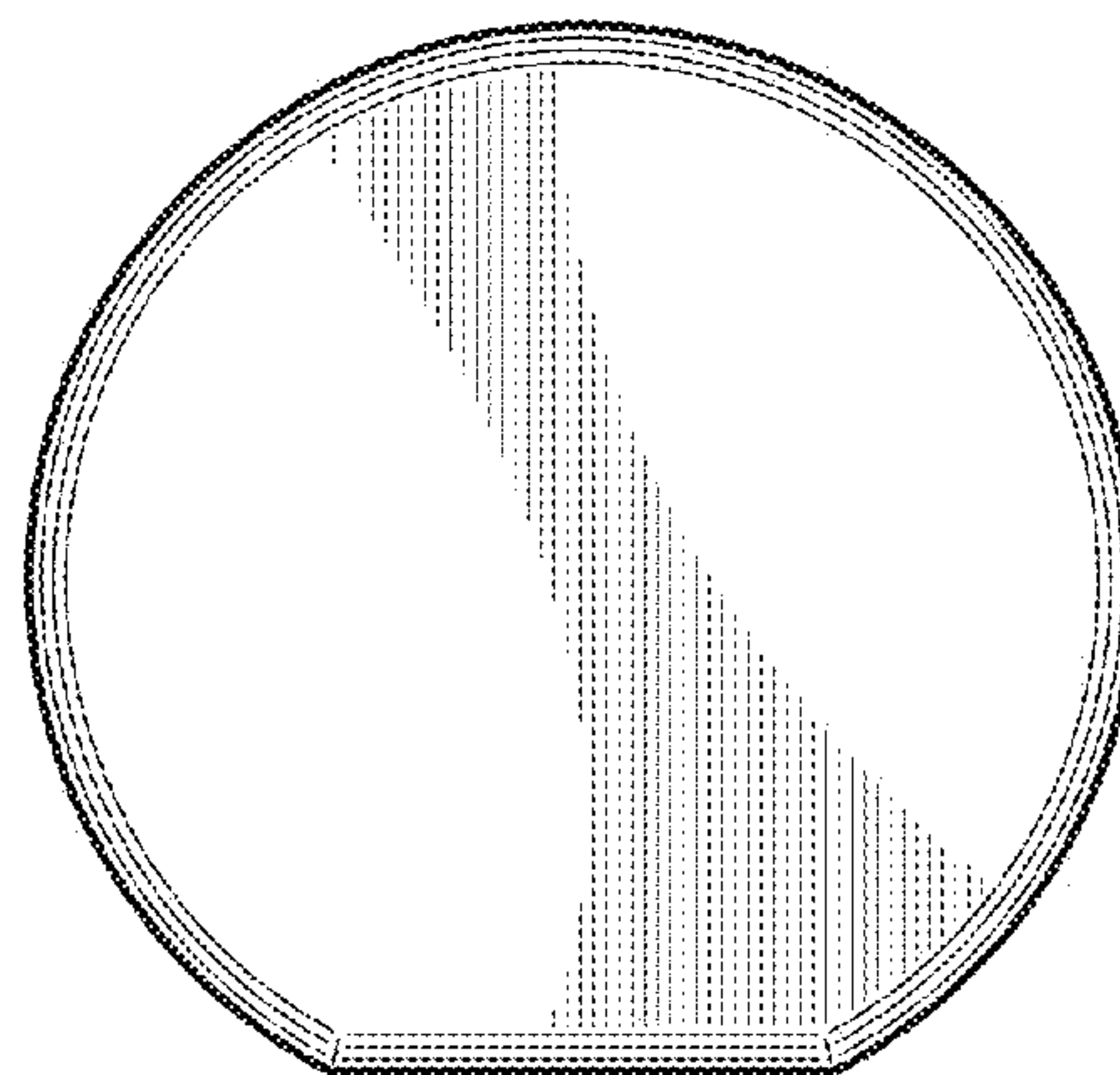


FIG. 3

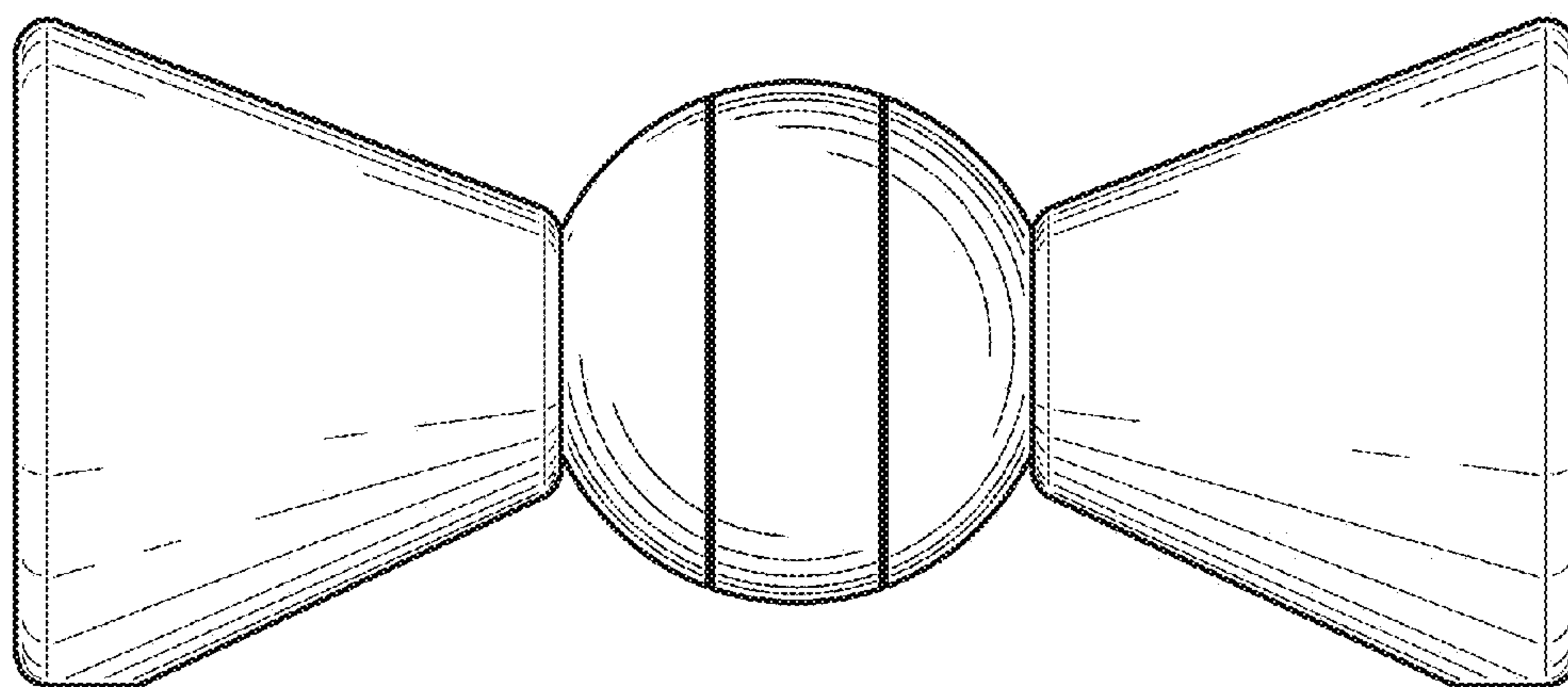


FIG. 4

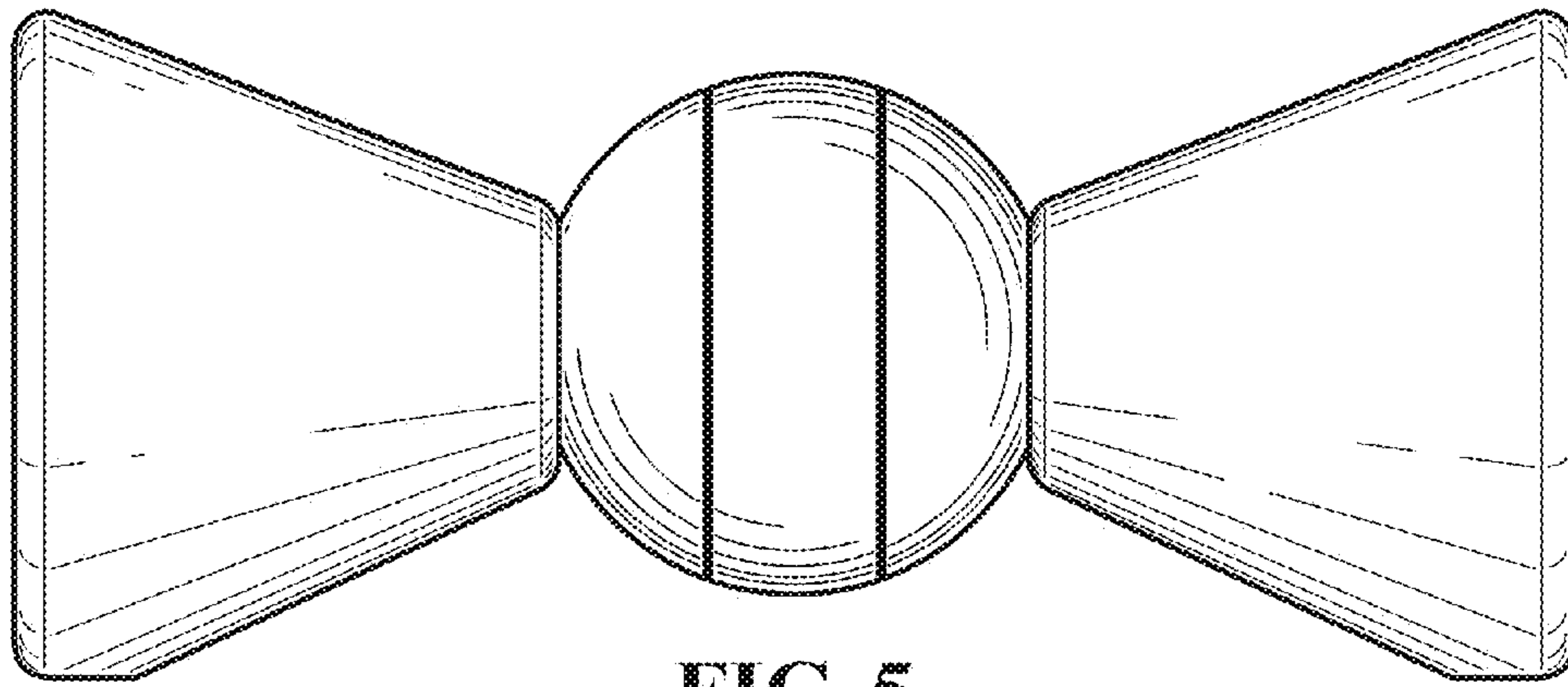


FIG. 5

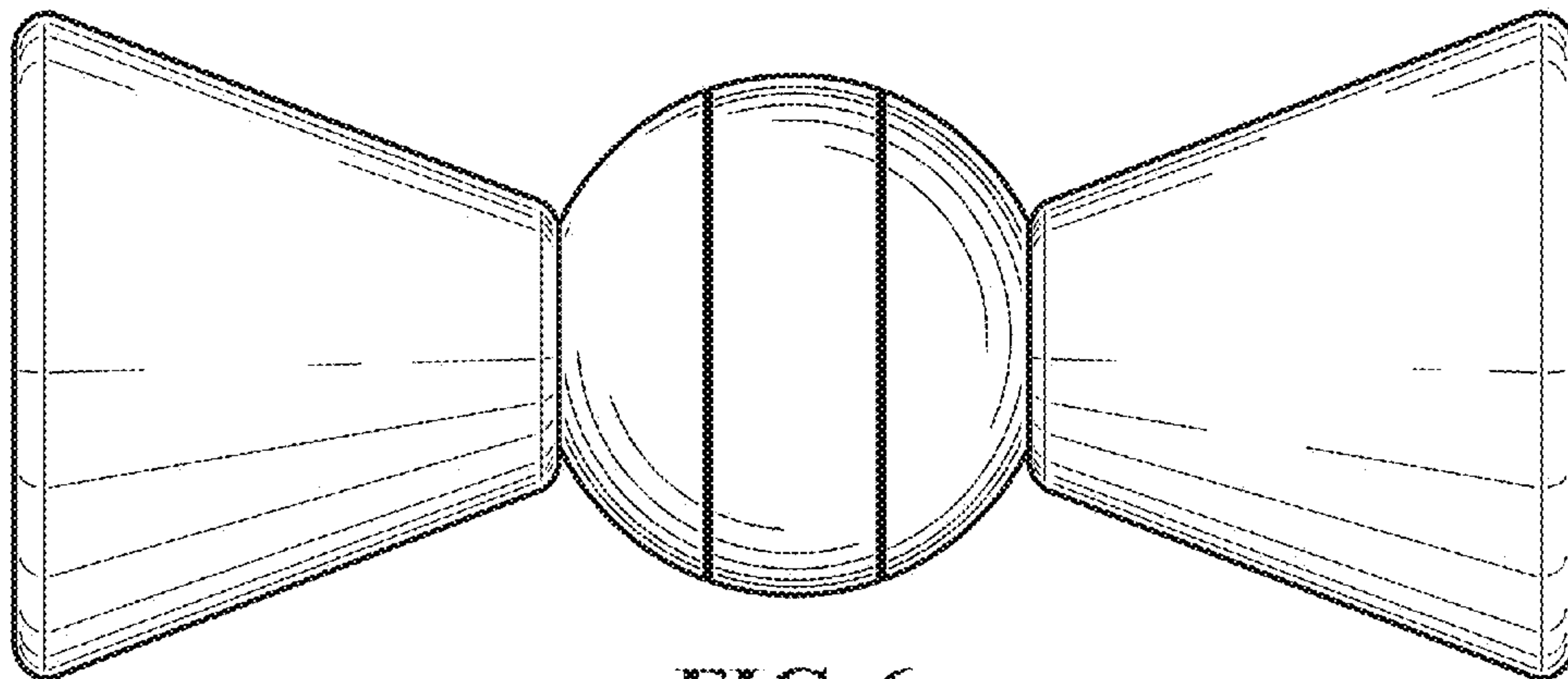


FIG. 6

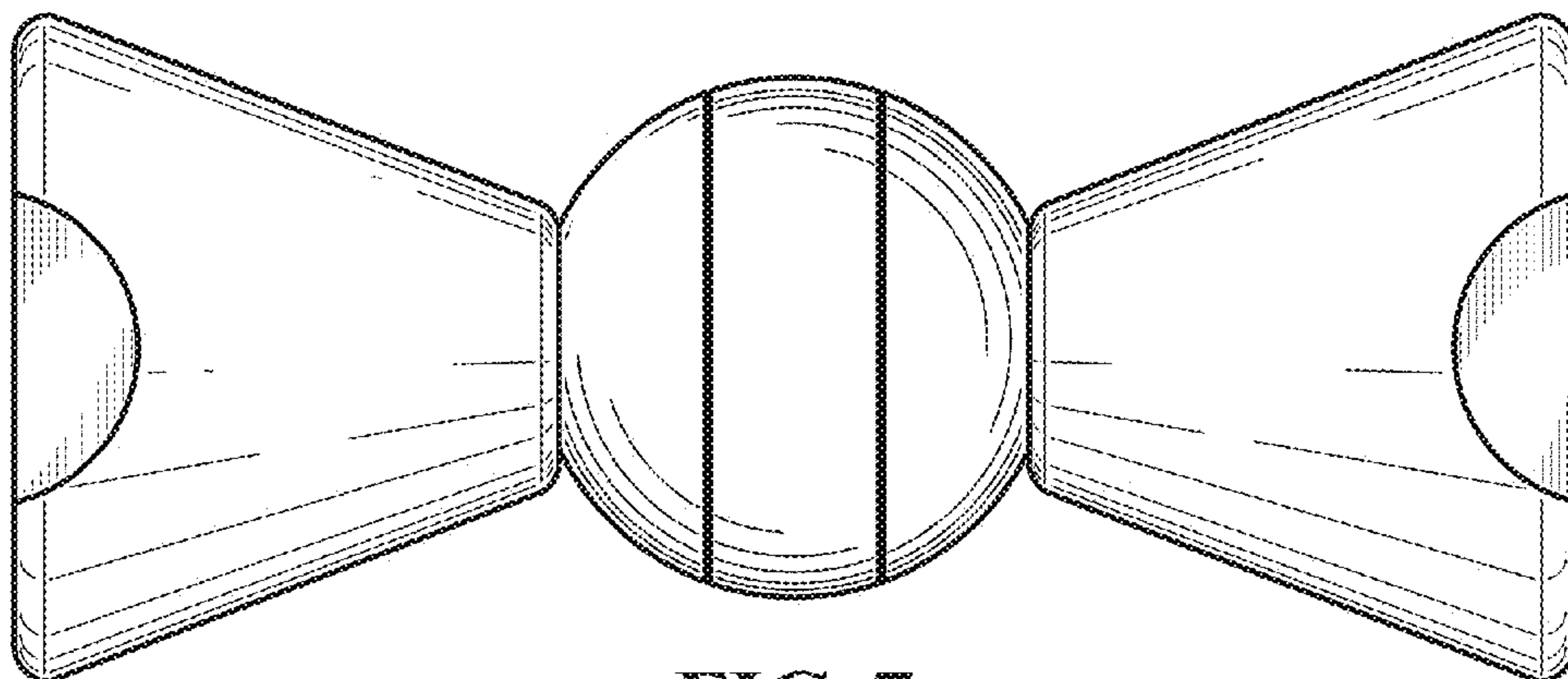


FIG. 7

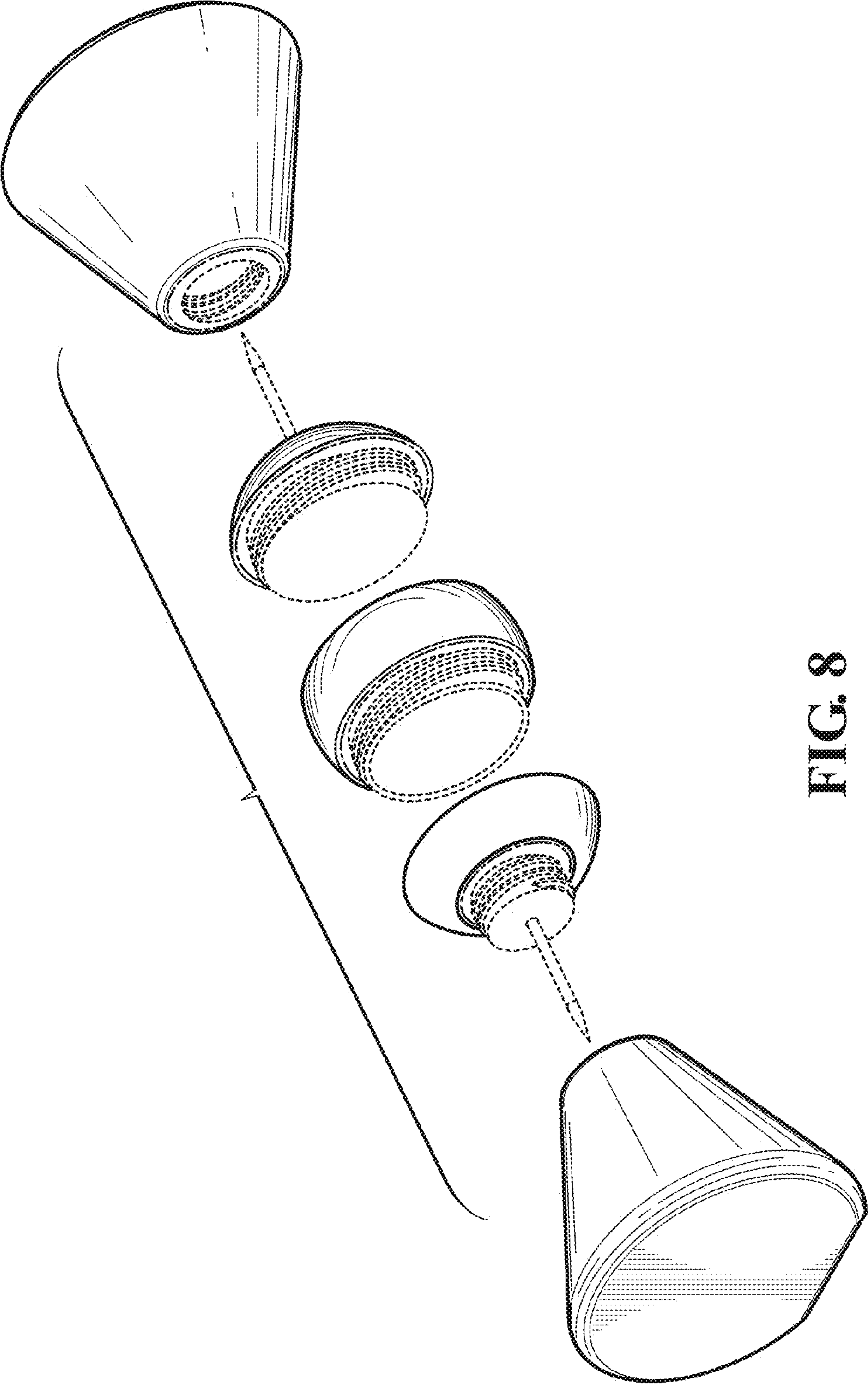


FIG. 8