



US00D760955S

(12) **United States Design Patent**  
**Haas**

(10) **Patent No.:** **US D760,955 S**  
(45) **Date of Patent:** **\*\* Jul. 5, 2016**

- (54) **HAIR CLIPPER BLADE**
- (71) Applicant: **WAHL GMBH**, Unterkirnach (DE)
- (72) Inventor: **Sebastian Haas**, Unterkirnach (DE)
- (73) Assignee: **Wahl GmbH**, Unterkirnach (DE)
- (\*\*) Term: **14 Years**
- (21) Appl. No.: **29/501,534**
- (22) Filed: **Sep. 5, 2014**
- (30) **Foreign Application Priority Data**  
Mar. 7, 2014 (EM) ..... 002420505
- (51) **LOC (10) Cl.** ..... **28-03**
- (52) **U.S. Cl.**  
USPC ..... **D28/54**
- (58) **Field of Classification Search**  
USPC ..... D28/44, 49-54  
CPC ..... B26B 19/00-19/107; B26B 19/12-19/22;  
B26B 19/28-19/36; B26B 19/3806-19/3826;  
B26B 19/384; B26B 19/3846; B26B  
19/3853-19/3866; B26B 19/3886; B26B  
19/42; B26B 19/38  
See application file for complete search history.

- (56) **References Cited**  
**U.S. PATENT DOCUMENTS**  
D616,606 S \* 5/2010 Adams ..... D28/47  
D655,043 S \* 2/2012 Tokar ..... D28/54

- 2007/0289138 A1\* 12/2007 Worgull ..... B26B 19/06  
30/43.1
- 2008/0282550 A1\* 11/2008 Piwaron ..... B26B 19/06  
30/210
- 2012/0233865 A1\* 9/2012 Kammer ..... B26B 19/3846  
30/201
- 2013/0219724 A1\* 8/2013 Werner ..... B26B 19/06  
30/201
- 2015/0183118 A1\* 7/2015 Roth ..... B26B 19/384  
132/200

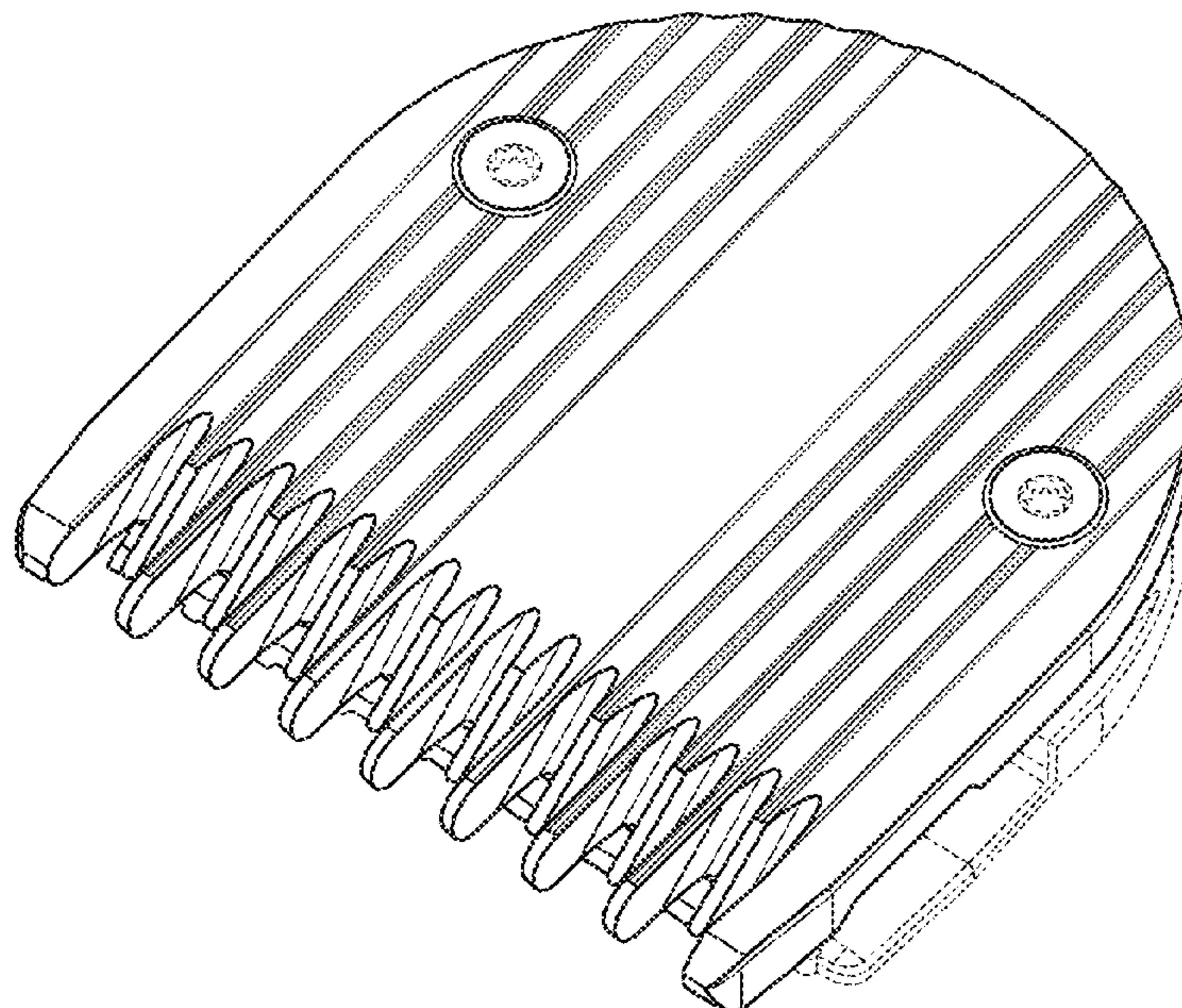
\* cited by examiner

*Primary Examiner* — Jennifer Rivard  
(74) *Attorney, Agent, or Firm* — Muirhead and Saturnelli, LLC

(57) **CLAIM**  
The ornamental design for a hair clipper blade, as shown and described.

**DESCRIPTION**  
FIG. 1 is a perspective view showing a new design for a hair clipper blade.  
FIG. 2 is an enlarged perspective view of a portion of the hair clipper blade.  
FIG. 3 is a front elevational view of the hair clipper blade.  
FIG. 4 is a back elevational view thereof.  
FIG. 5 is a left side elevational view thereof.  
FIG. 6 is a right side elevational view thereof.  
FIG. 7 is a top plan view thereof; and,  
FIG. 8 is a bottom plan view thereof.  
The horizontal broken line, which connects the ends of the outermost solid contour lines in FIG. 8, illustrates the bounds of the claim and forms no part of the claimed design.

**1 Claim, 8 Drawing Sheets**



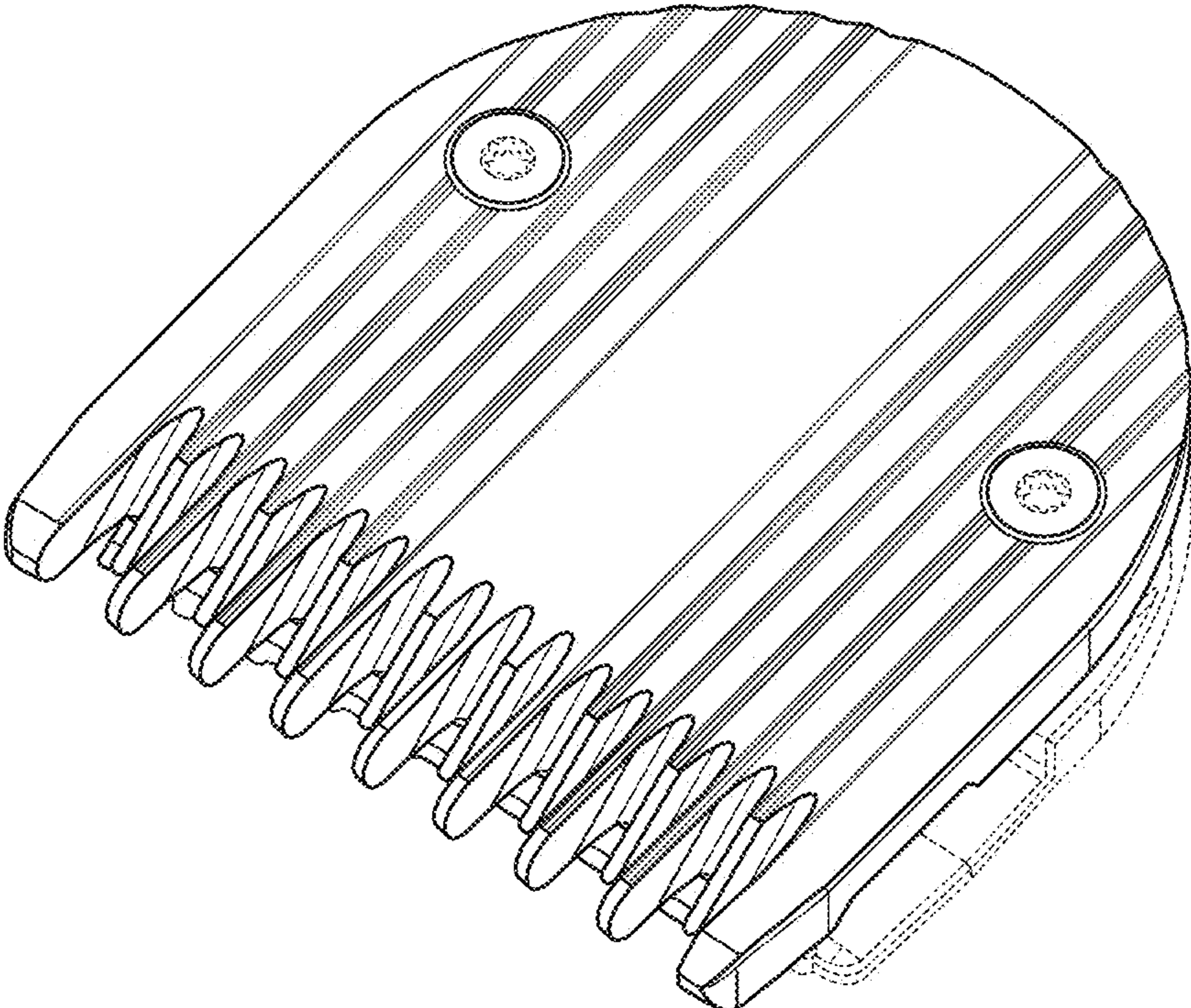


FIG. 1

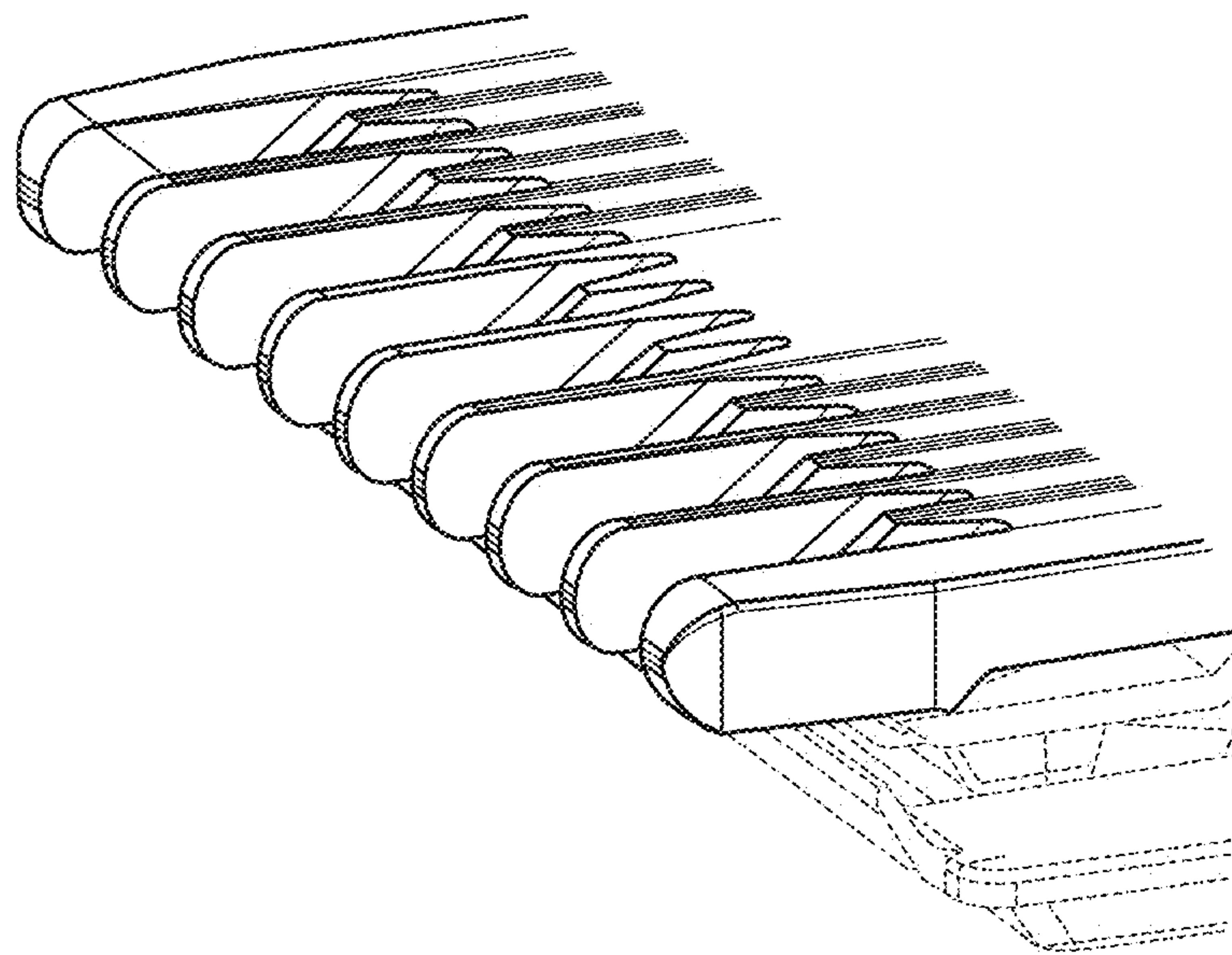


FIG. 2



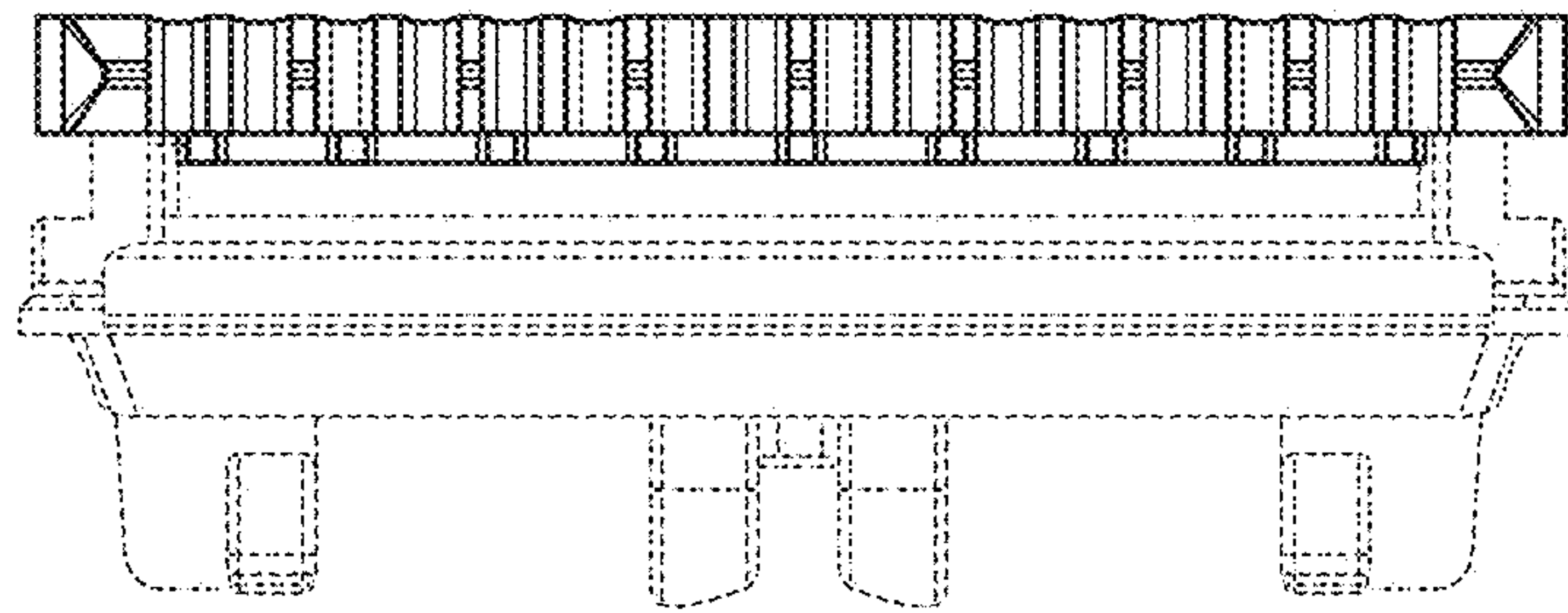


FIG. 3

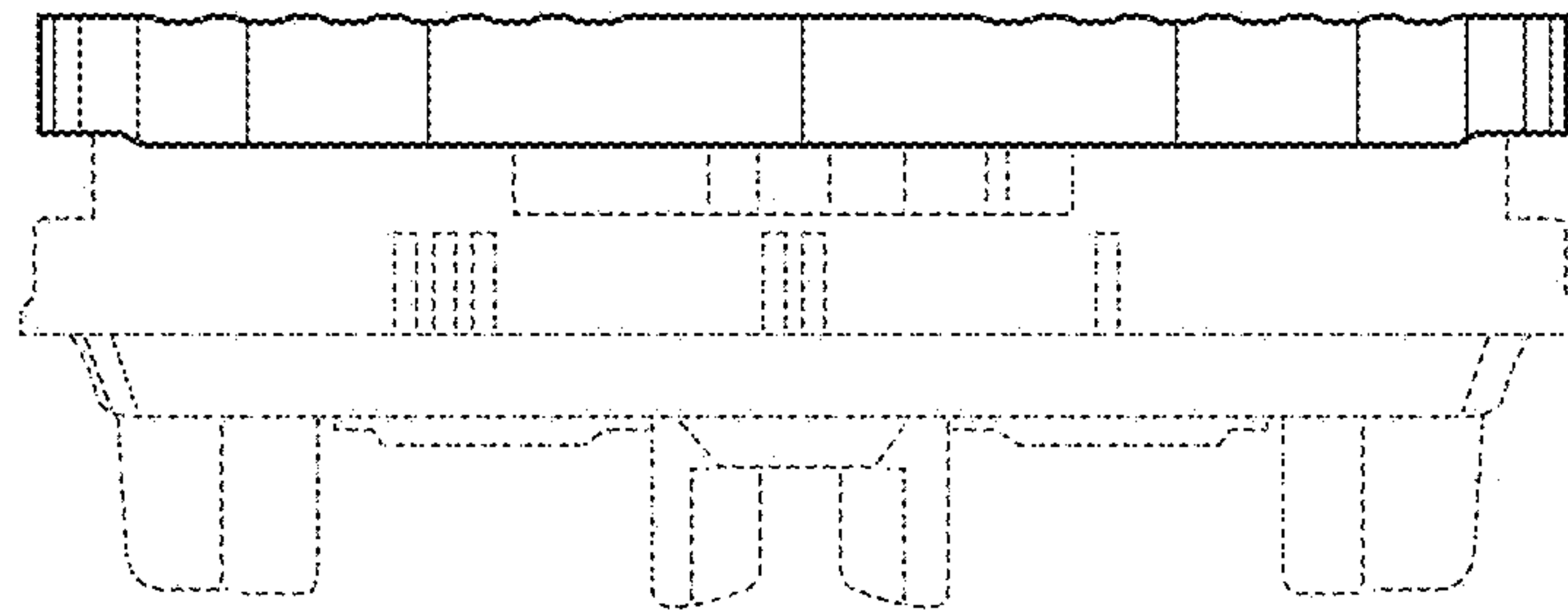


FIG. 4

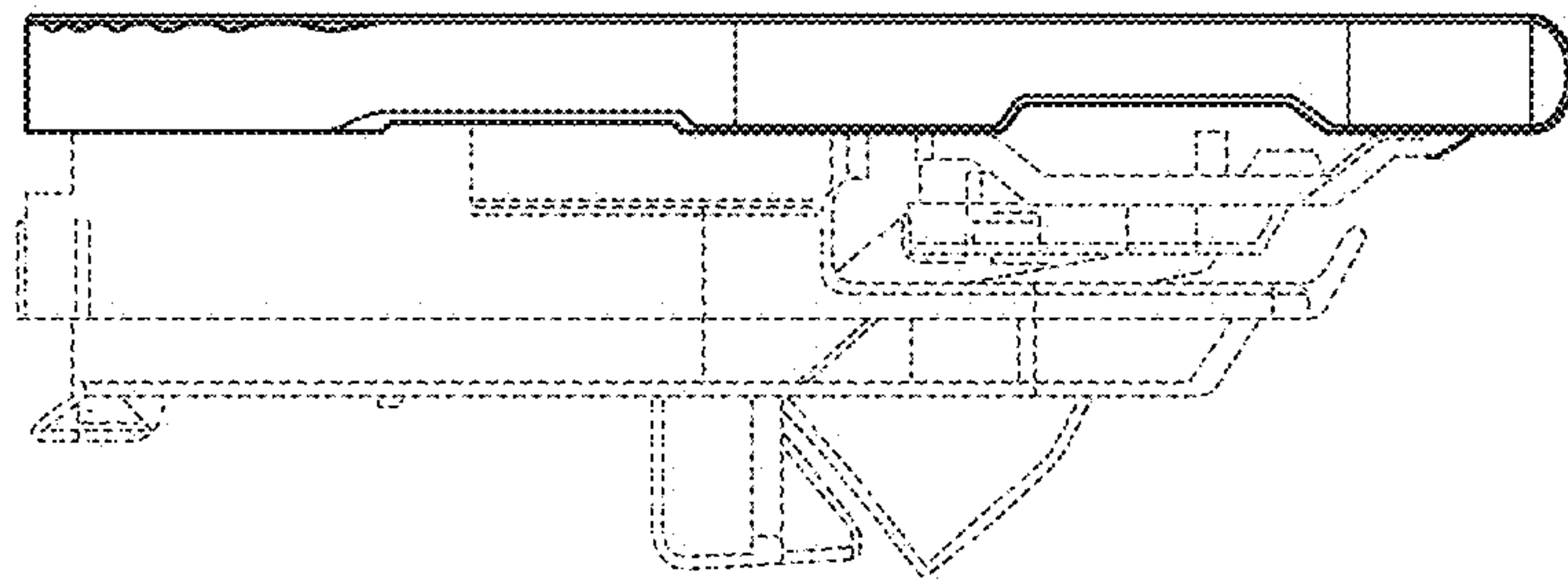


FIG. 5

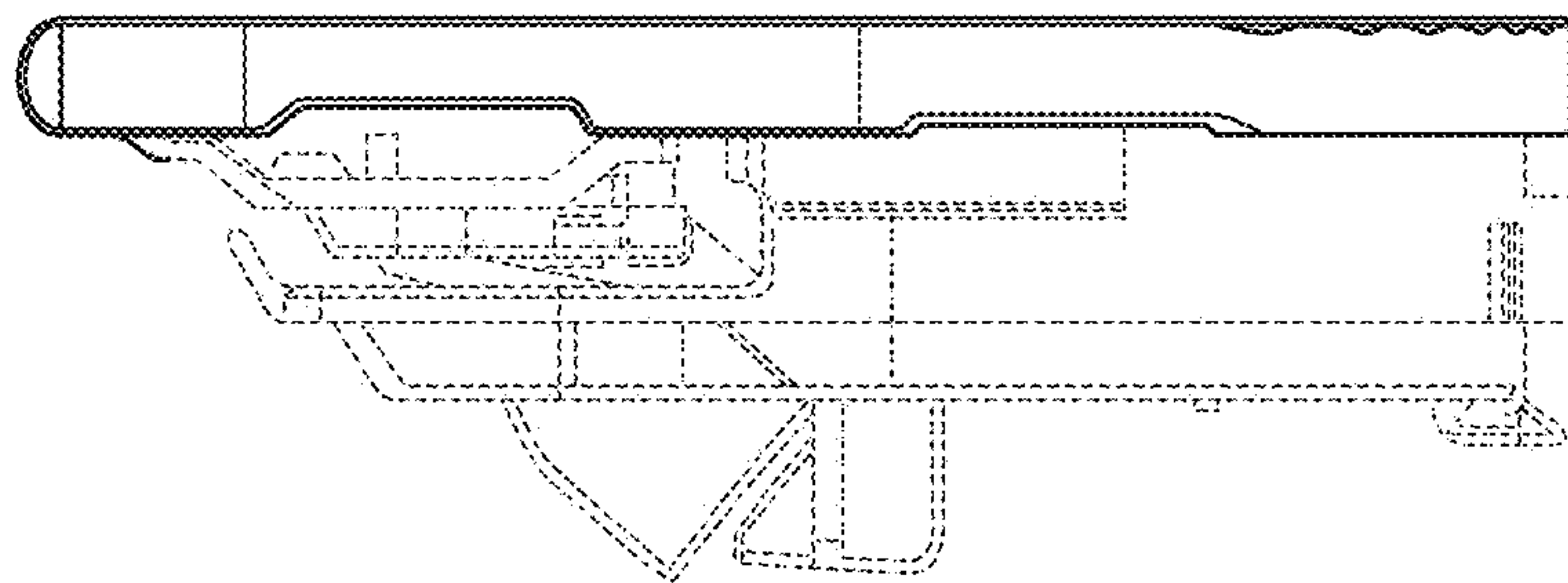


FIG. 6

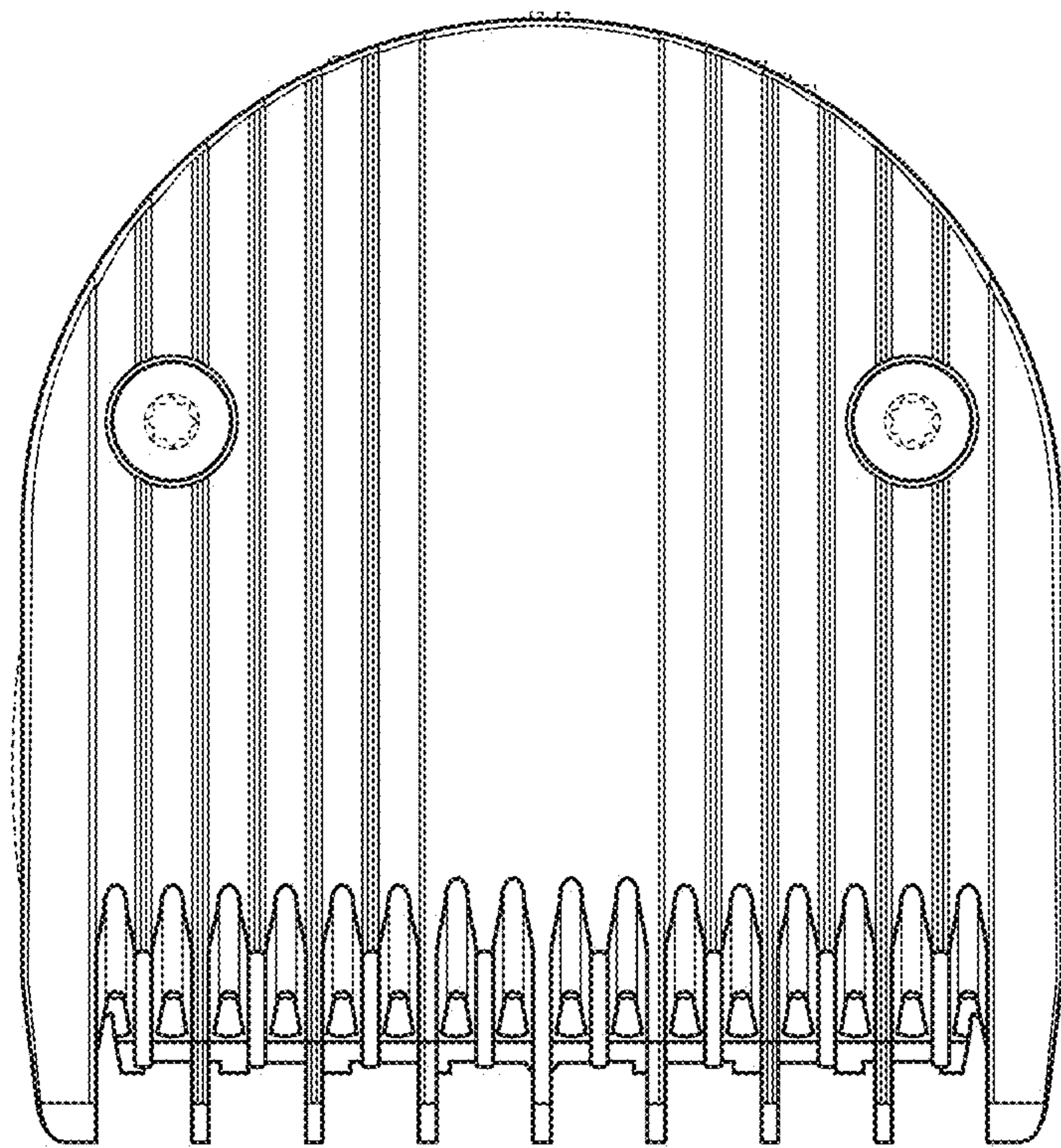


FIG. 7



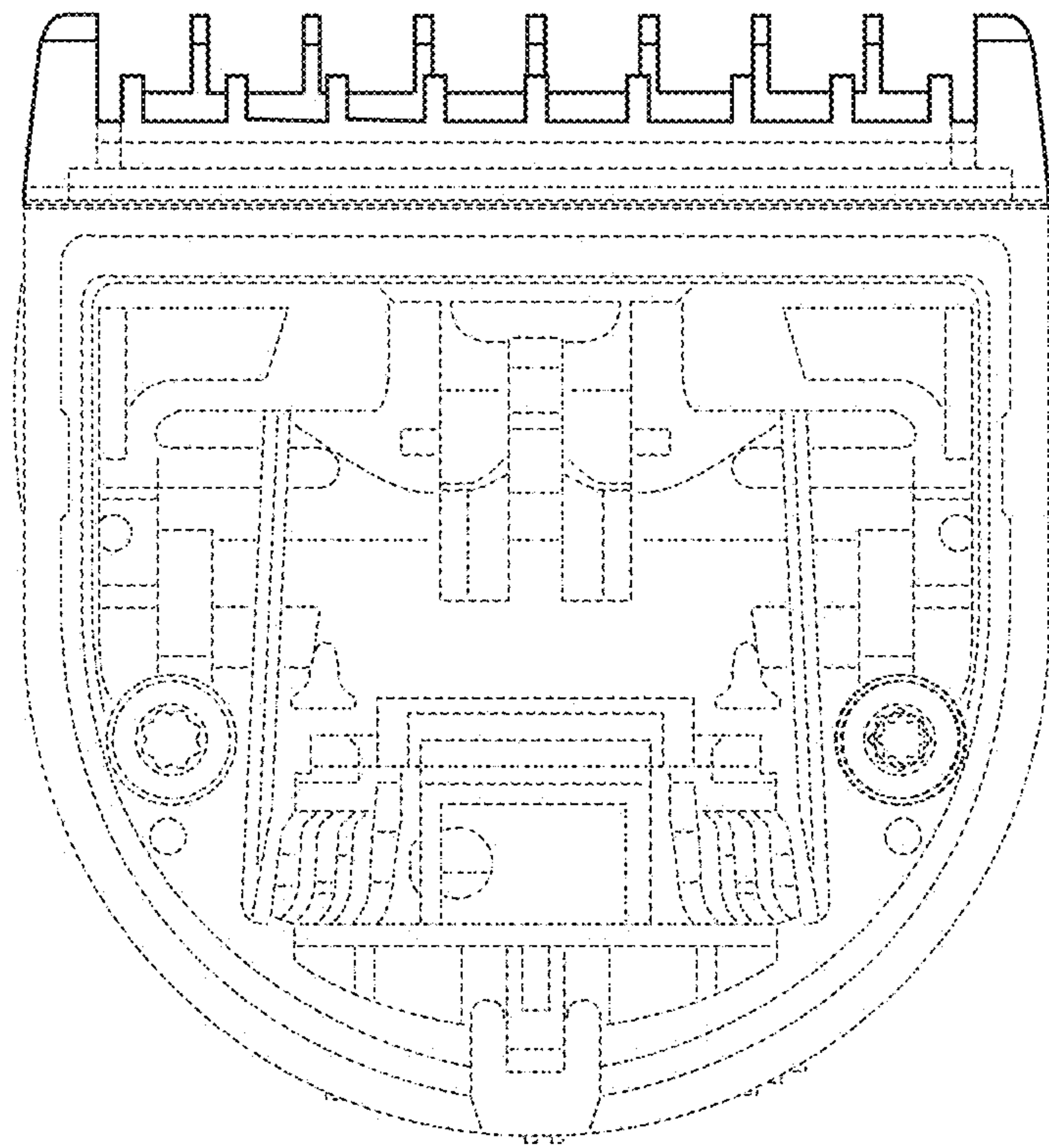


FIG. 8